

[54] BLANK FOR DRINKING GLASS CARRIER

[75] Inventor: Joseph F. Schillinger, Morrison, Ill.

[73] Assignee: Champion International Corporation, Stamford, Conn.

[**] Term: 14 Years

[21] Appl. No.: 728,395

[22] Filed: Sep. 30, 1976

[51] Int. Cl. D9-03

[52] U.S. Cl. D9/245

[58] Field of Search D9/176-179, D9/245; 206/147-158, 175-179, 193

[56] References Cited

U.S. PATENT DOCUMENTS

| | | | |
|------------|---------|----------------|---------|
| D. 229,485 | 12/1973 | Petersen | D9/245 |
| 3,237,762 | 3/1966 | Wood | 206/148 |
| 3,331,531 | 7/1967 | Sperry | 206/148 |

Primary Examiner—Robert C. Spangler
Attorney, Agent, or Firm—Evelyn M. Sommer

[57] CLAIM

The ornamental design for a blank for a drinking glass carrier, as shown.

DESCRIPTION

FIG. 1 is a perspective view of a blank for a drinking glass carrier showing my new design; and FIG. 2 is a plan view thereof.

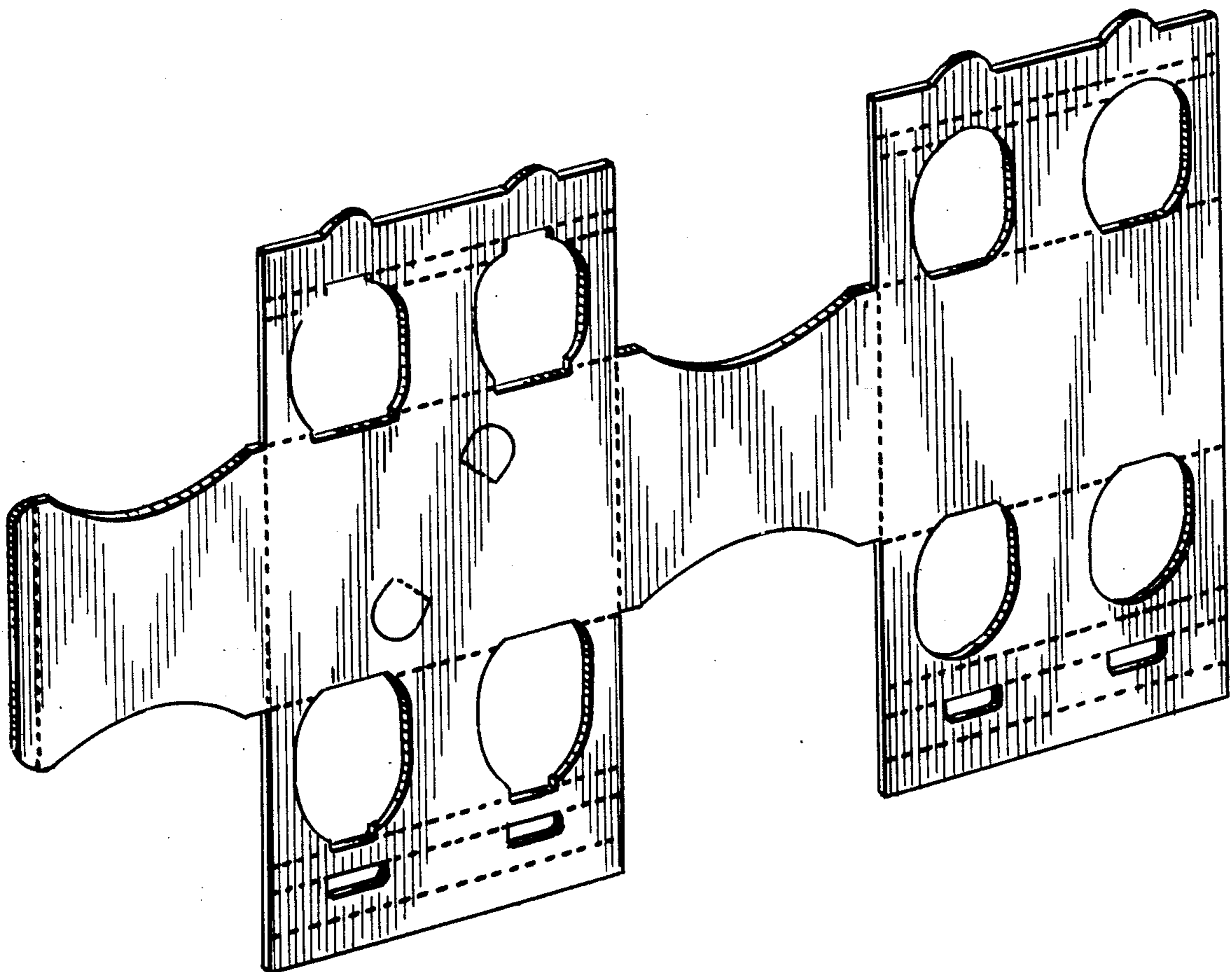


Fig. 1.

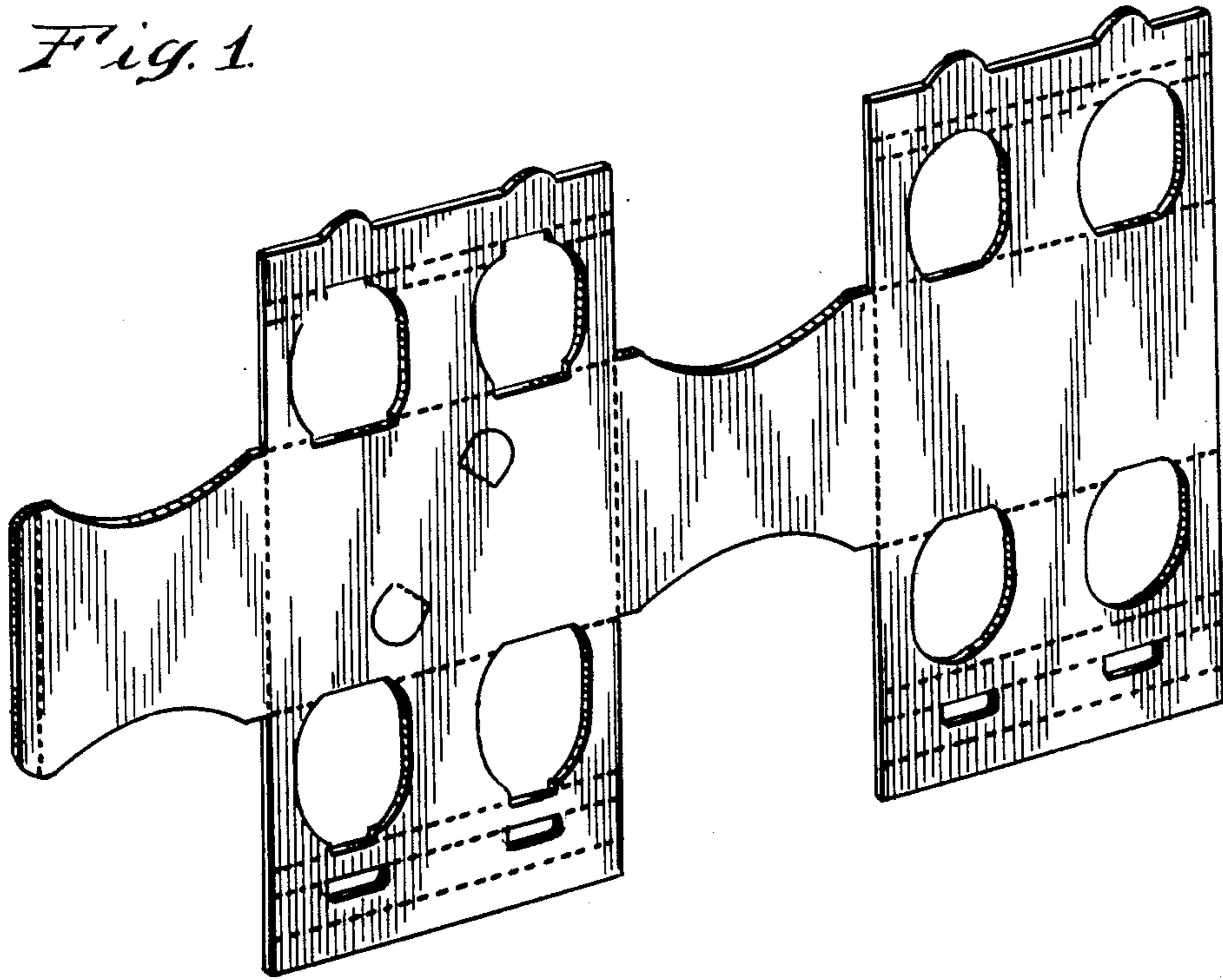


Fig. 2.

