

[54] PACKAGING CONTAINER

[75] Inventors: Palmer J. Schoenfield, Evanston; Kathy A. Dunn, Chicago; Howard J. Morrison, Deerfield, all of Ill.

[73] Assignee: Marvin Glass & Associates, Chicago, Ill.

[\*\*] Term: 14 Years

[21] Appl. No.: 673,251

[22] Filed: Apr. 2, 1976

[51] Int. Cl. .... D9-03

[52] U.S. Cl. .... D9/192

[58] Field of Search ..... 206/44 R, 45.31, 461; D9/191, 192

[56] References Cited

U.S. PATENT DOCUMENTS

- D. 133,820 9/1942 Houghton ..... D9/191
- D. 190,685 6/1961 Roskam ..... D9/191 X
- D. 205,478 8/1966 Christine et al. .... D9/192

- D. 233,318 10/1974 Moberly et al. .... D9/192
- 3,250,387 5/1966 Jacobson et al. .... D9/192 X

Primary Examiner—Robert C. Spangler  
Attorney, Agent, or Firm—Richard D. Mason

[57] CLAIM

The ornamental design for a packaging container, as shown and described.

DESCRIPTION

FIG. 1 is a perspective view of a packaging container embodying our new design;  
 FIG. 2 is a top plan view thereof;  
 FIG. 3 is a side elevational view thereof as viewed from the left in FIGS. 1 and 2;  
 FIG. 4 is a side elevational view thereof as viewed from the right in FIGS. 1 and 2;  
 FIG. 5 is an end elevational view thereof as viewed from the bottom of FIG. 2;  
 FIG. 6 is an end elevational view thereof as viewed from the top of FIG. 2; and  
 FIG. 7 is a bottom plan view thereof.

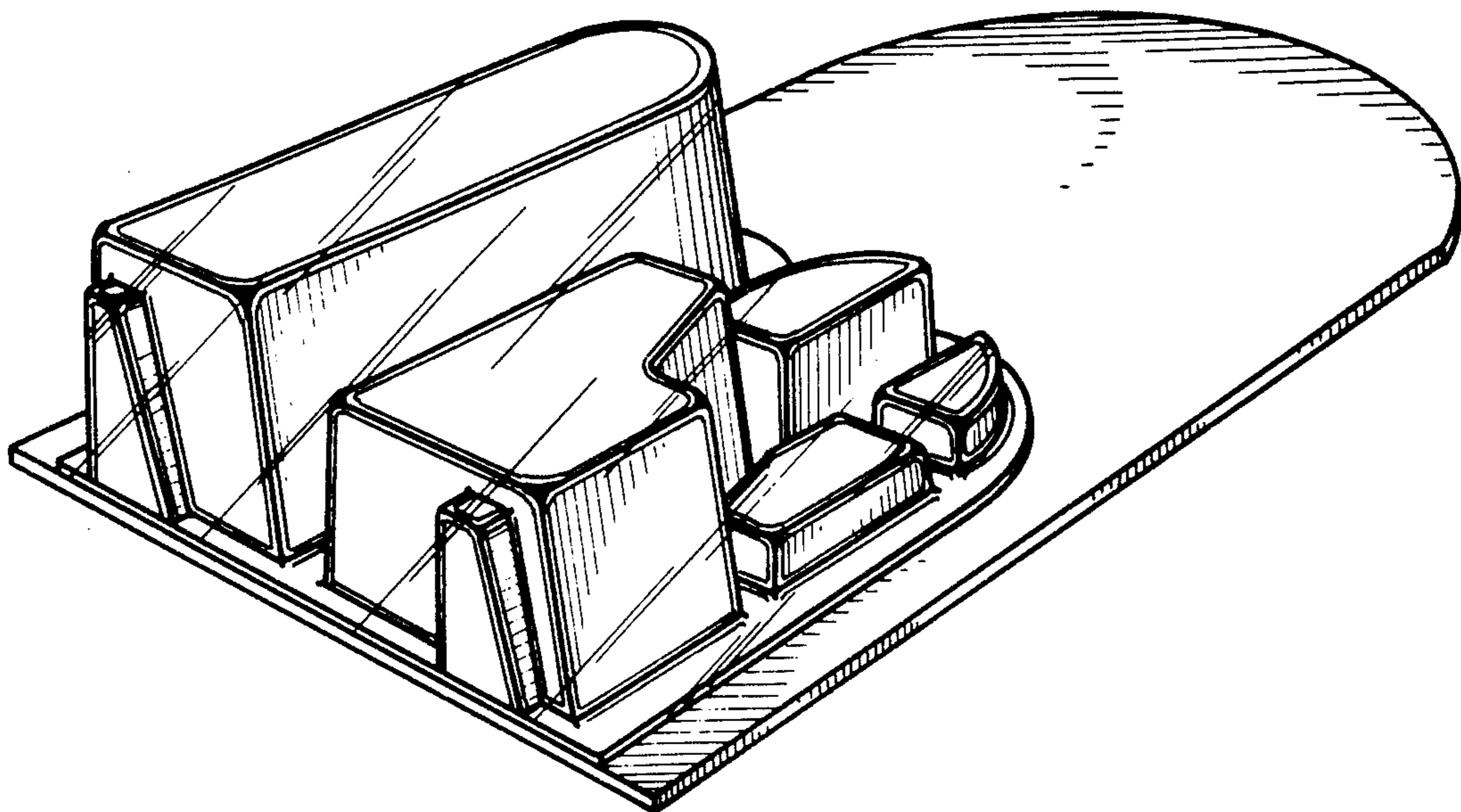


Fig 1

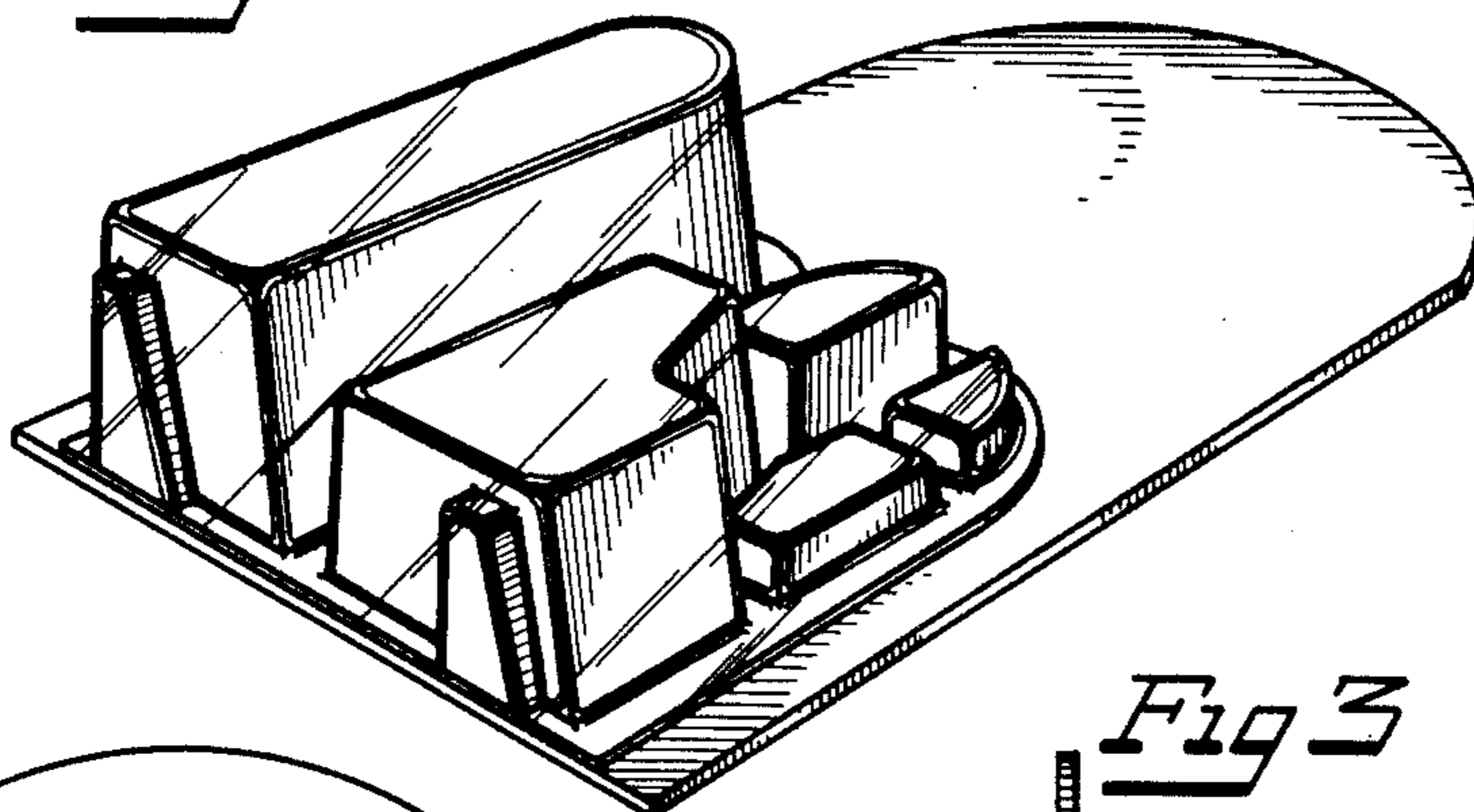


Fig 2

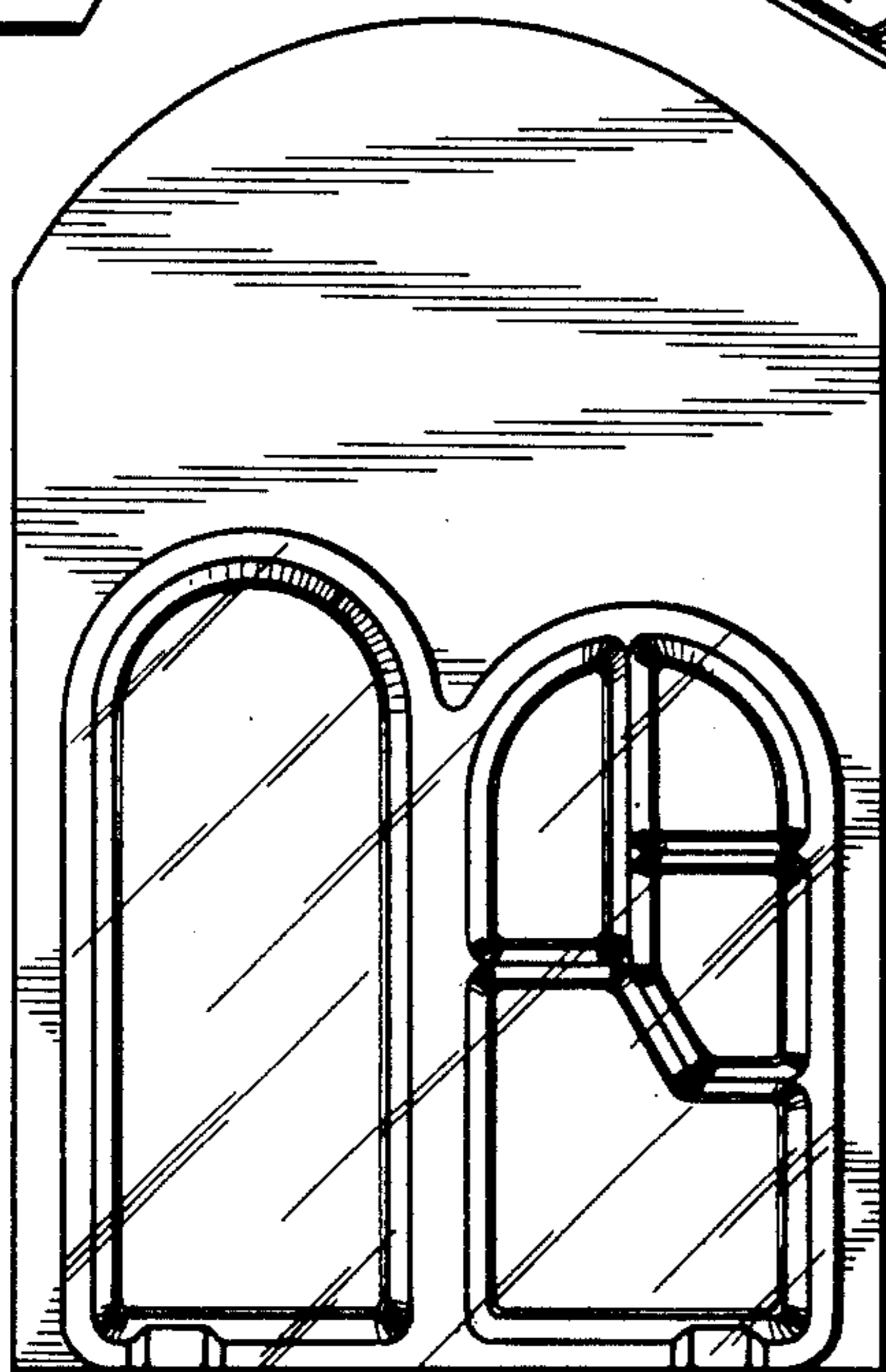


Fig 3

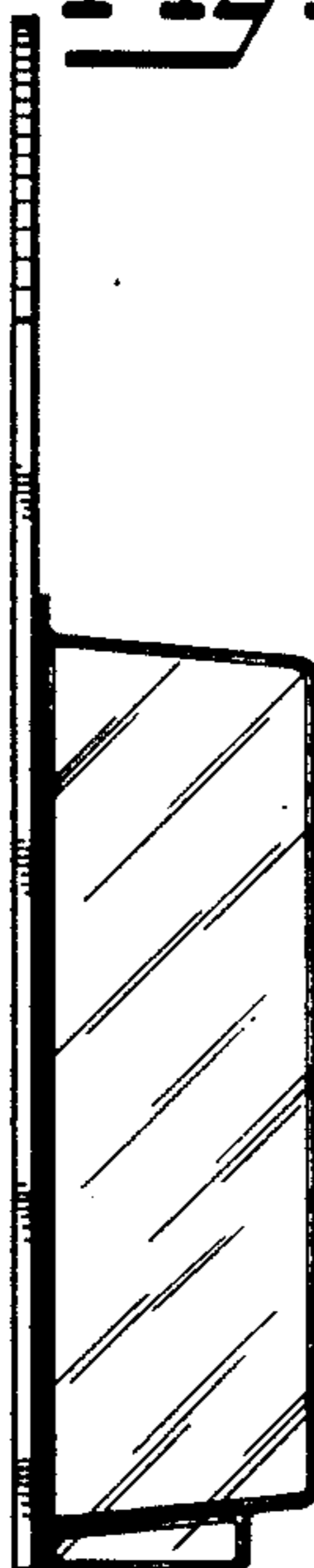


Fig 4

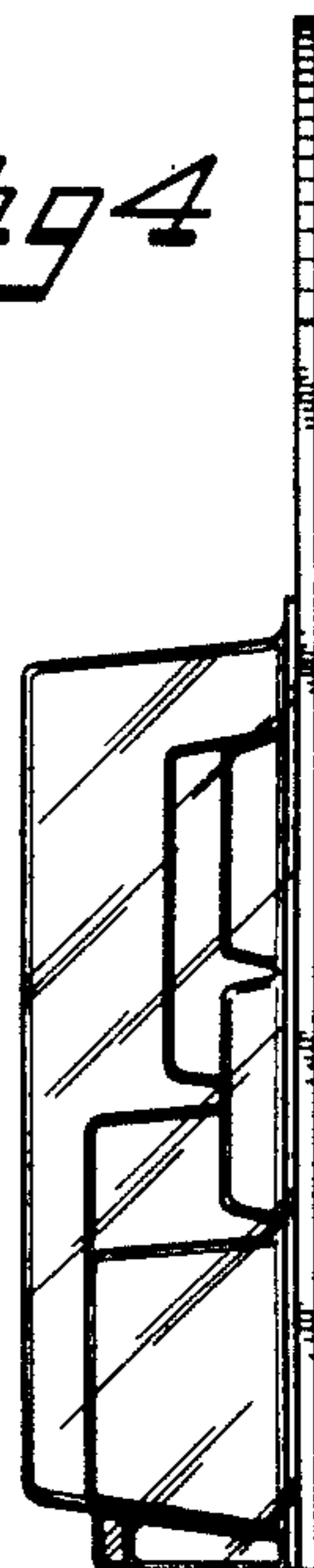


Fig 5



Fig 7

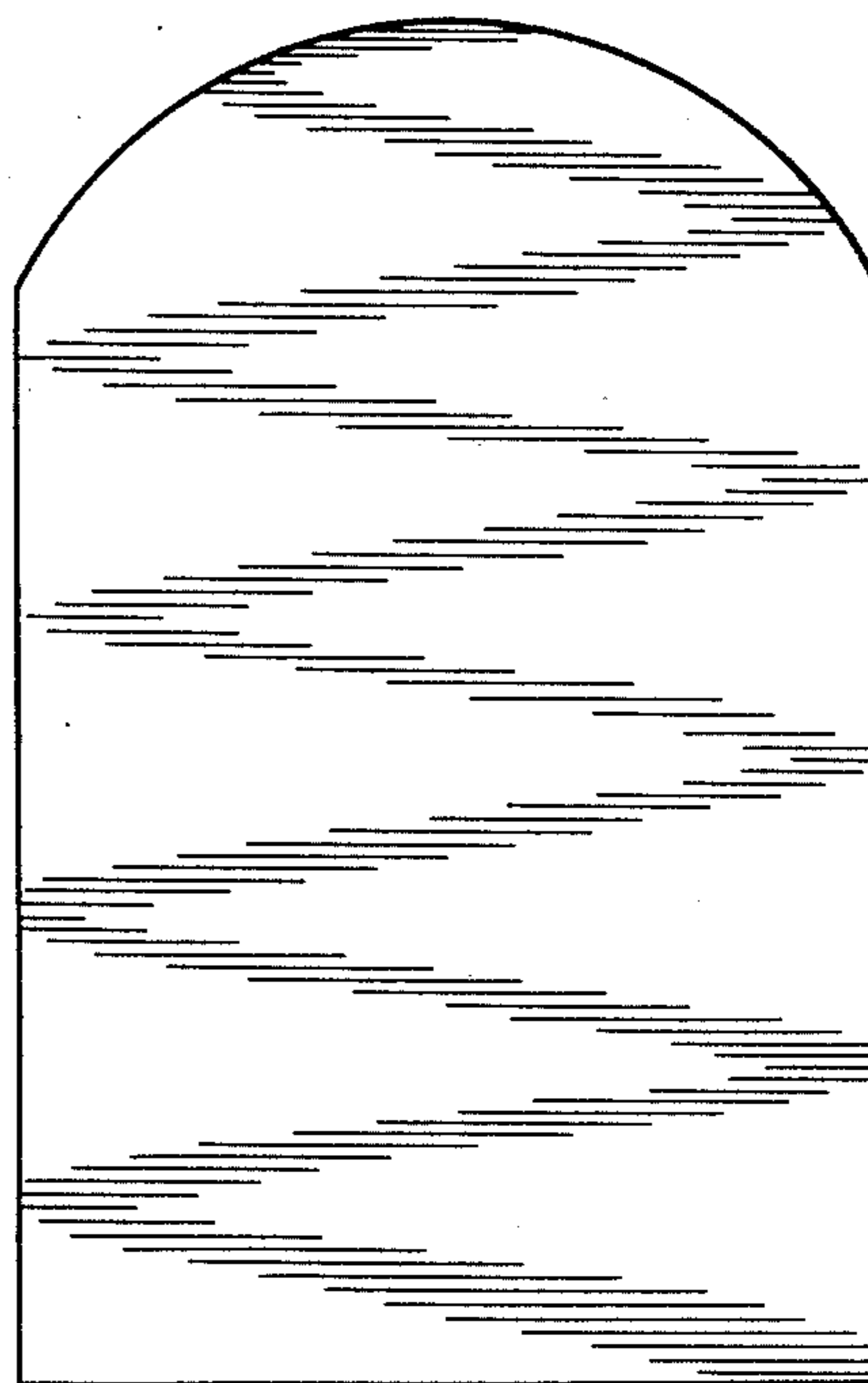


Fig 6

