

[54] CLIP FOR CABLES, PIPES AND ELECTRIC WIRES

[75] Inventor: Bengt E. Legerius, Nyköping, Sweden

[73] Assignee: Telefonaktiebolaget L M Ericsson, Stockholm, Sweden

[**] Term: 14 Years

[21] Appl. No.: 723,016

[22] Filed: Sep. 13, 1976

[30] Foreign Application Priority Data
Mar. 22, 1976 [SE] Sweden 76-0656

[51] Int. Cl. D8-08

[52] U.S. Cl. D8/396; D8/356; D8/394

[58] Field of Search 403/399; 248/71, 68 R, 248/74 R, 300, 49, 221 R, 226 E, 219 R; D25/77; D8/354, 356, 367, 373, 380, 382, 383, 388, 391, 392, 393, 394, 396

[56] References Cited

U.S. PATENT DOCUMENTS

D. 197,426	2/1964	Hussar	D8/394
D. 235,849	7/1975	Hagelberg	D8/396
D. 239,911	5/1976	Schmidt	D8/396
2,570,957	10/1951	Lee	248/71
3,430,903	3/1969	Mathes	248/71 X

FOREIGN PATENT DOCUMENTS

535,999	1/1957	Canada	248/71
---------	--------	--------------	--------

Primary Examiner—A. Hugo Word

[57] CLAIM

The ornamental design for a clip for cables, pipes and electric wires, as shown.

DESCRIPTION

FIG. 1 is a view from underneath of a clip showing my design;

FIG. 2 is a view of one end of the clip;

FIG. 3 is a view of the opposite end of the clip;

FIG. 4 is a view from one side of the clip;

FIG. 5 is a view from the opposite side of the clip;

FIG. 6 is a view from above of the clip;

FIG. 7 is a perspective view from above from the said one side of the clip;

FIG. 8 is a perspective view from underneath from the said one side of the clip.

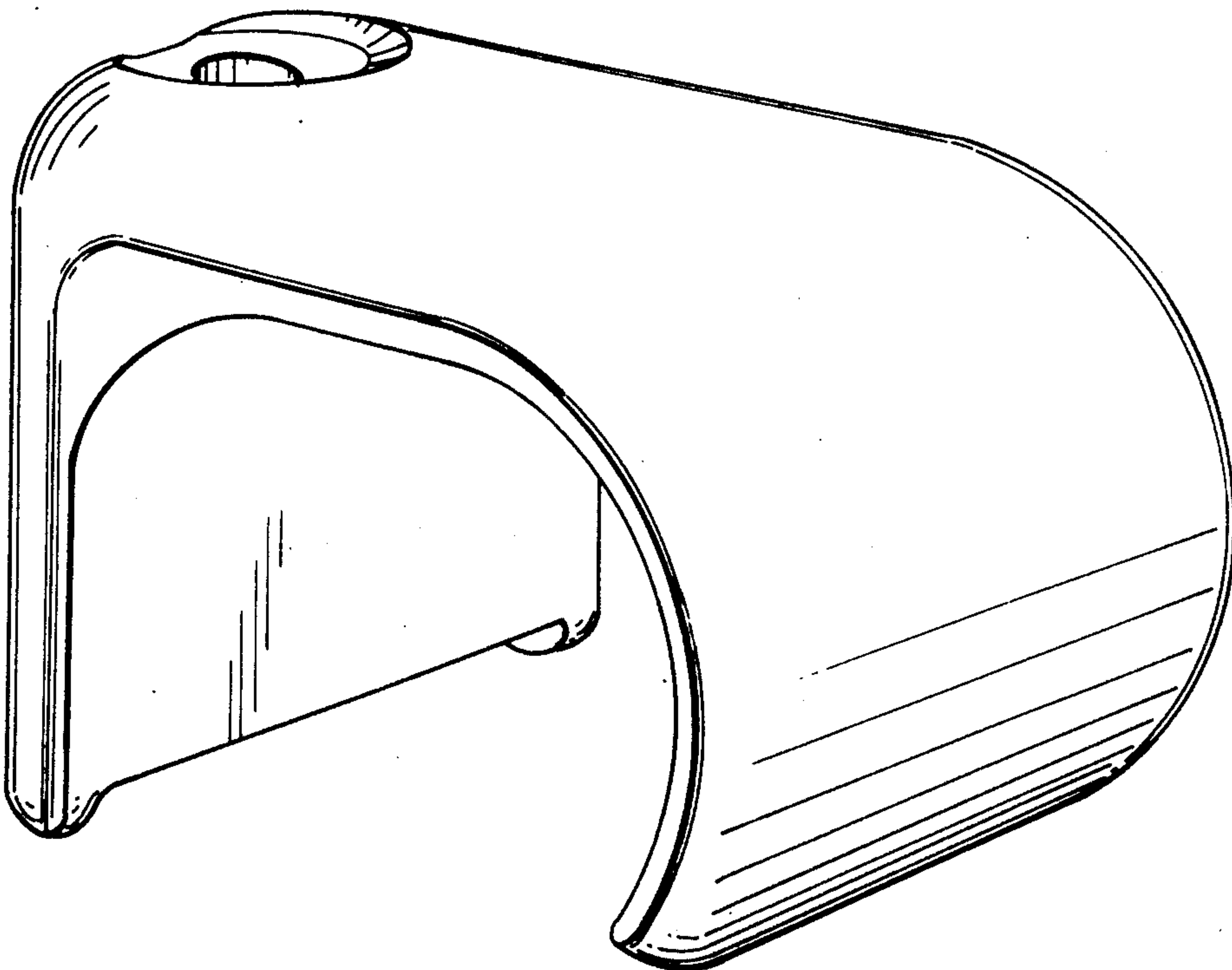


FIG. 1

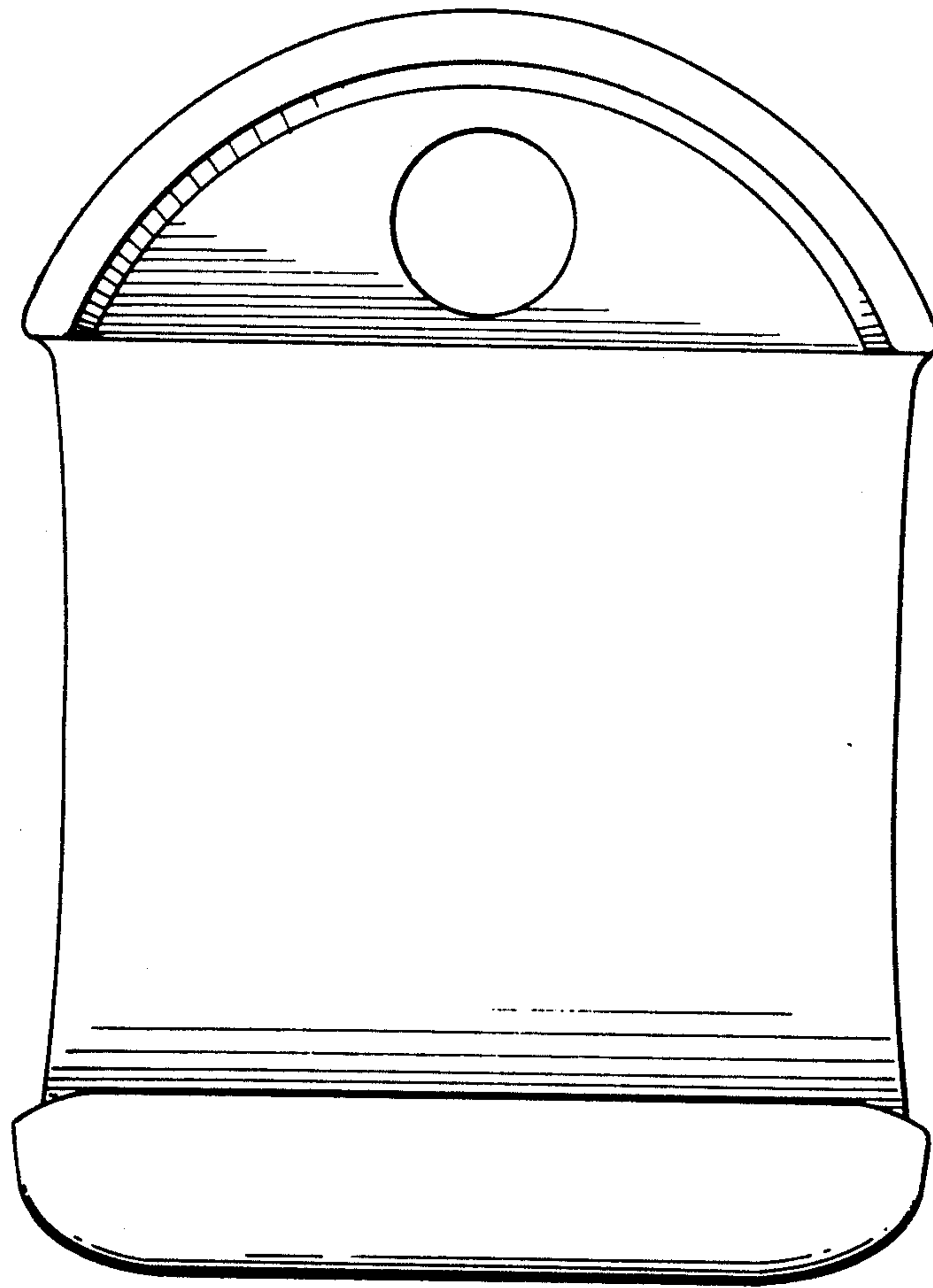
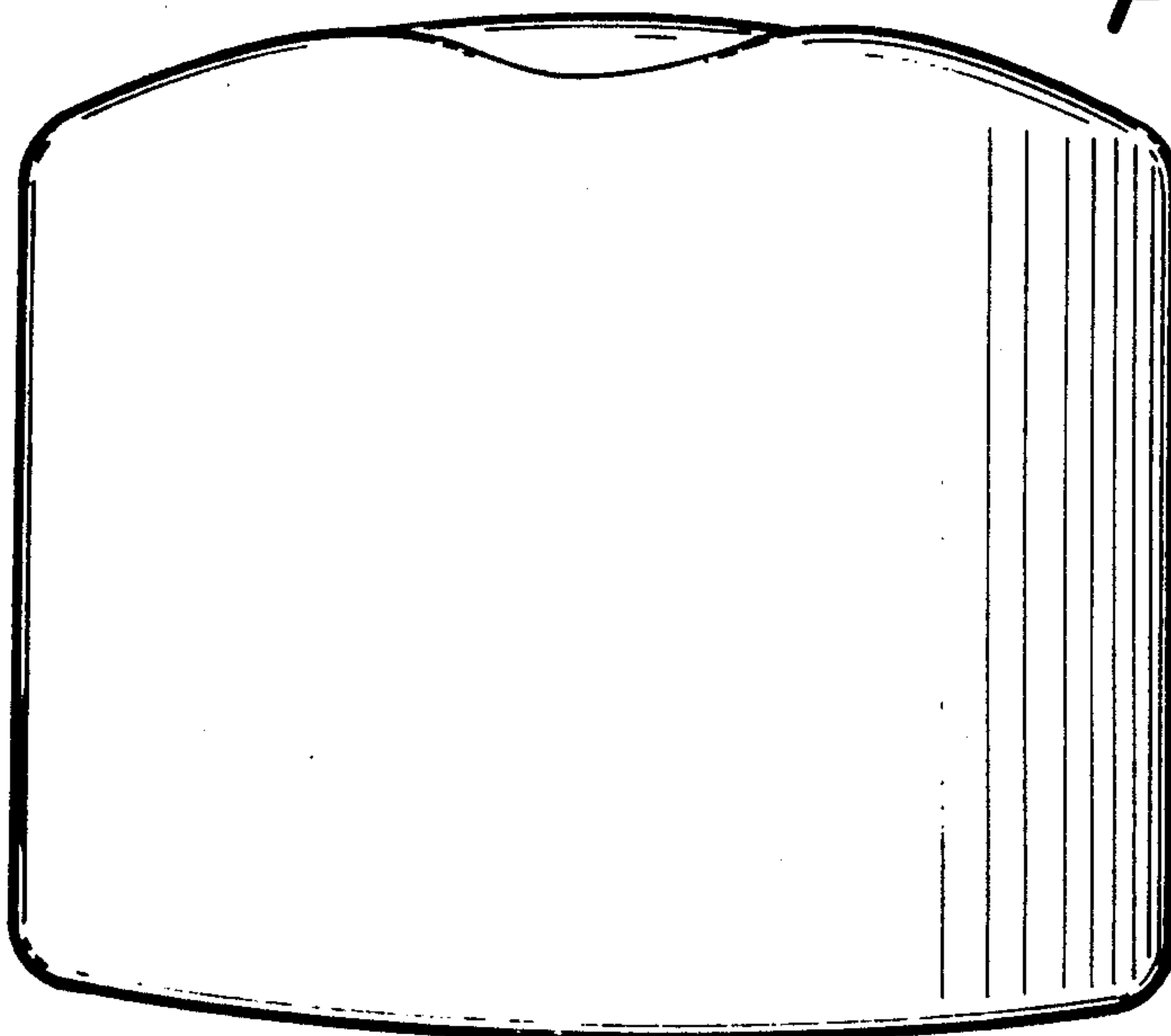


FIG. 2



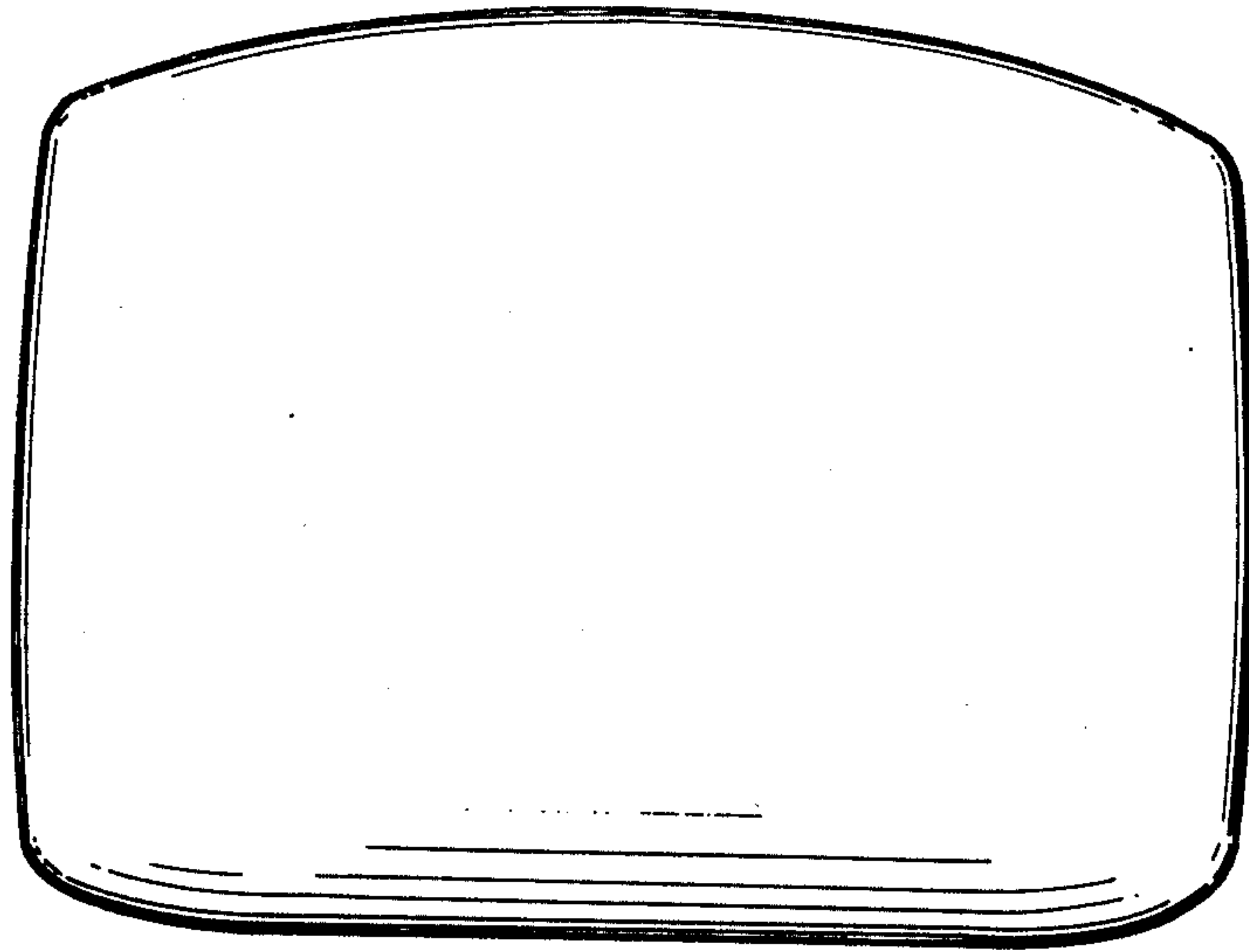


FIG. 3

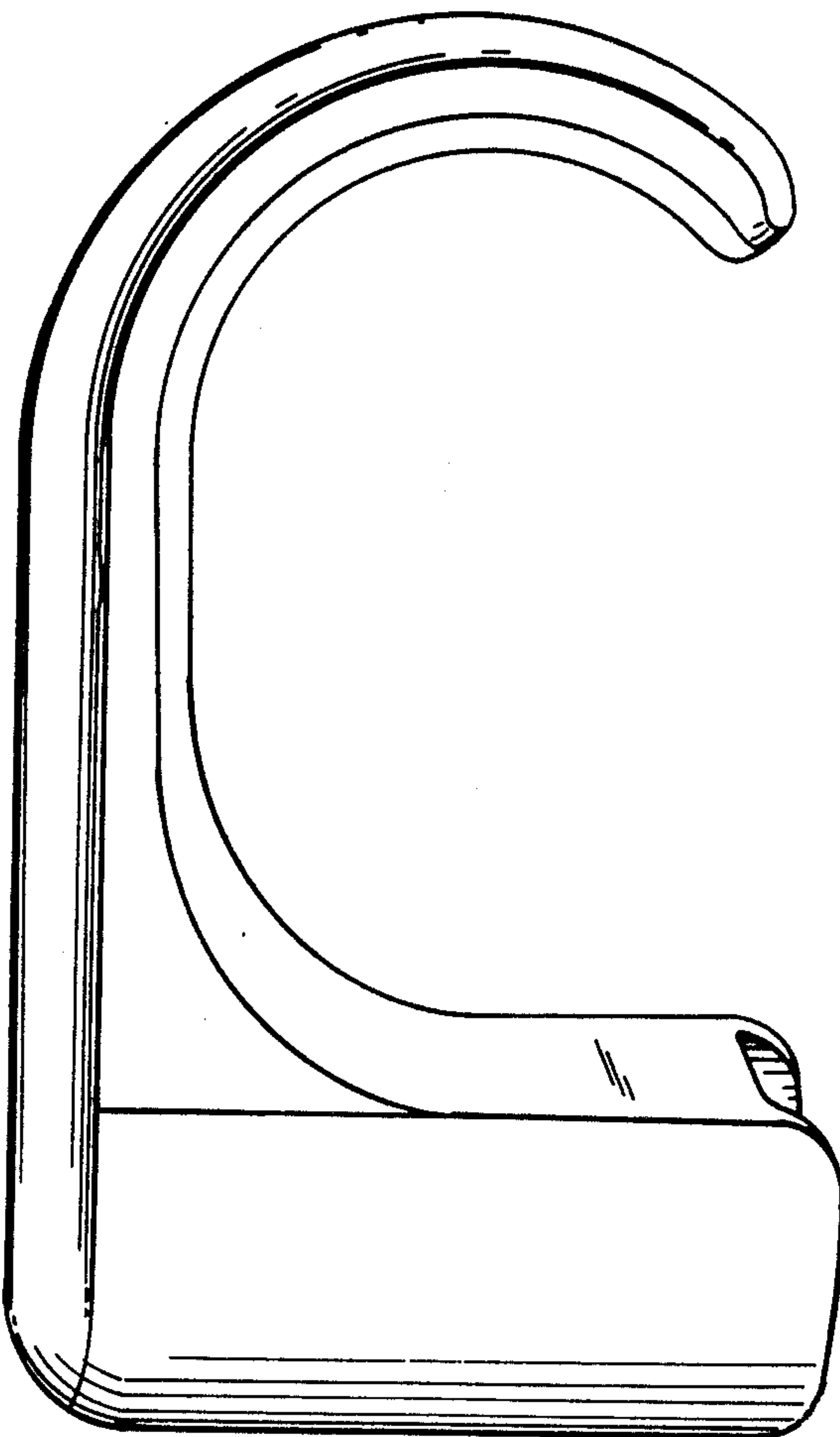


FIG. 4

FIG. 5

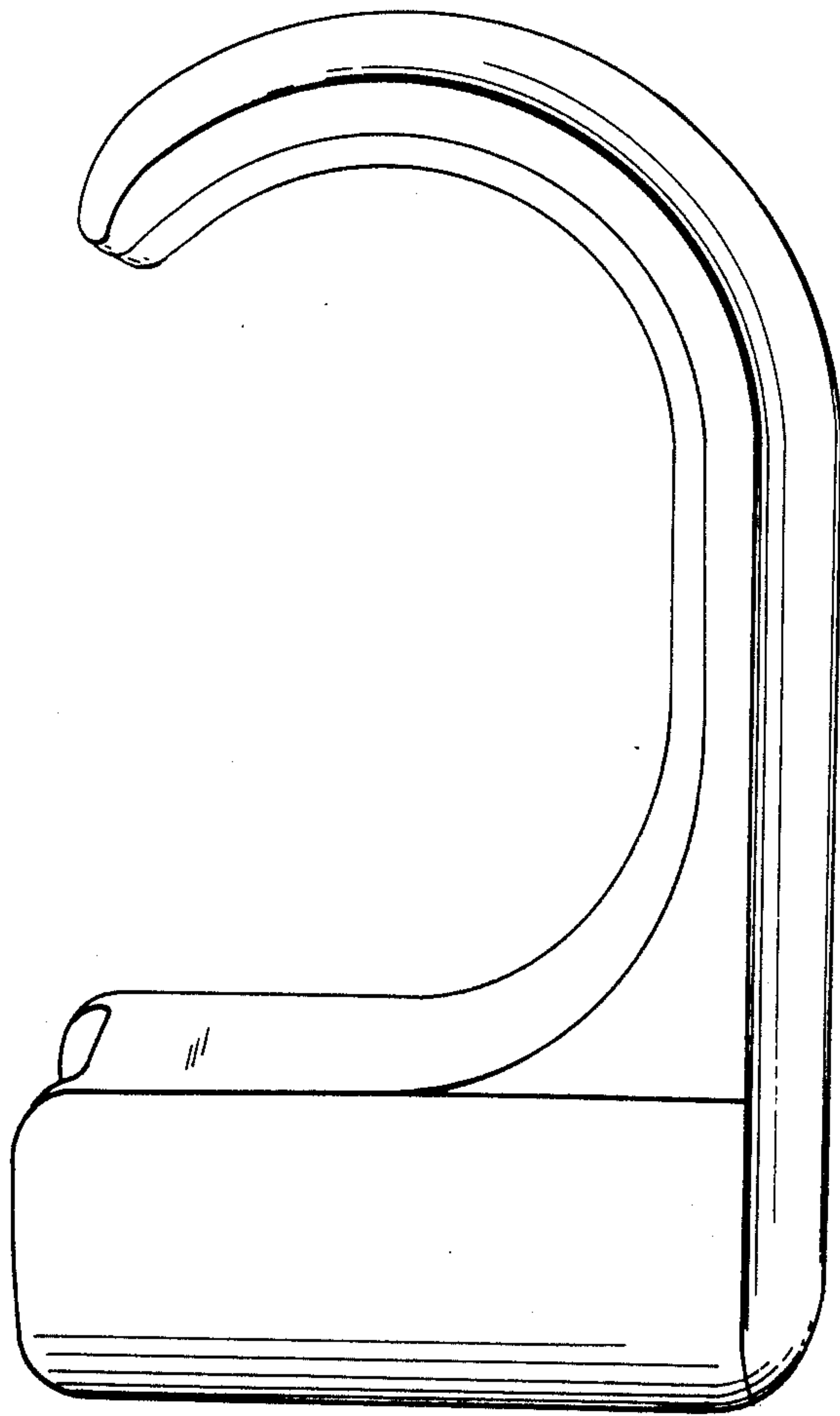


FIG. 6

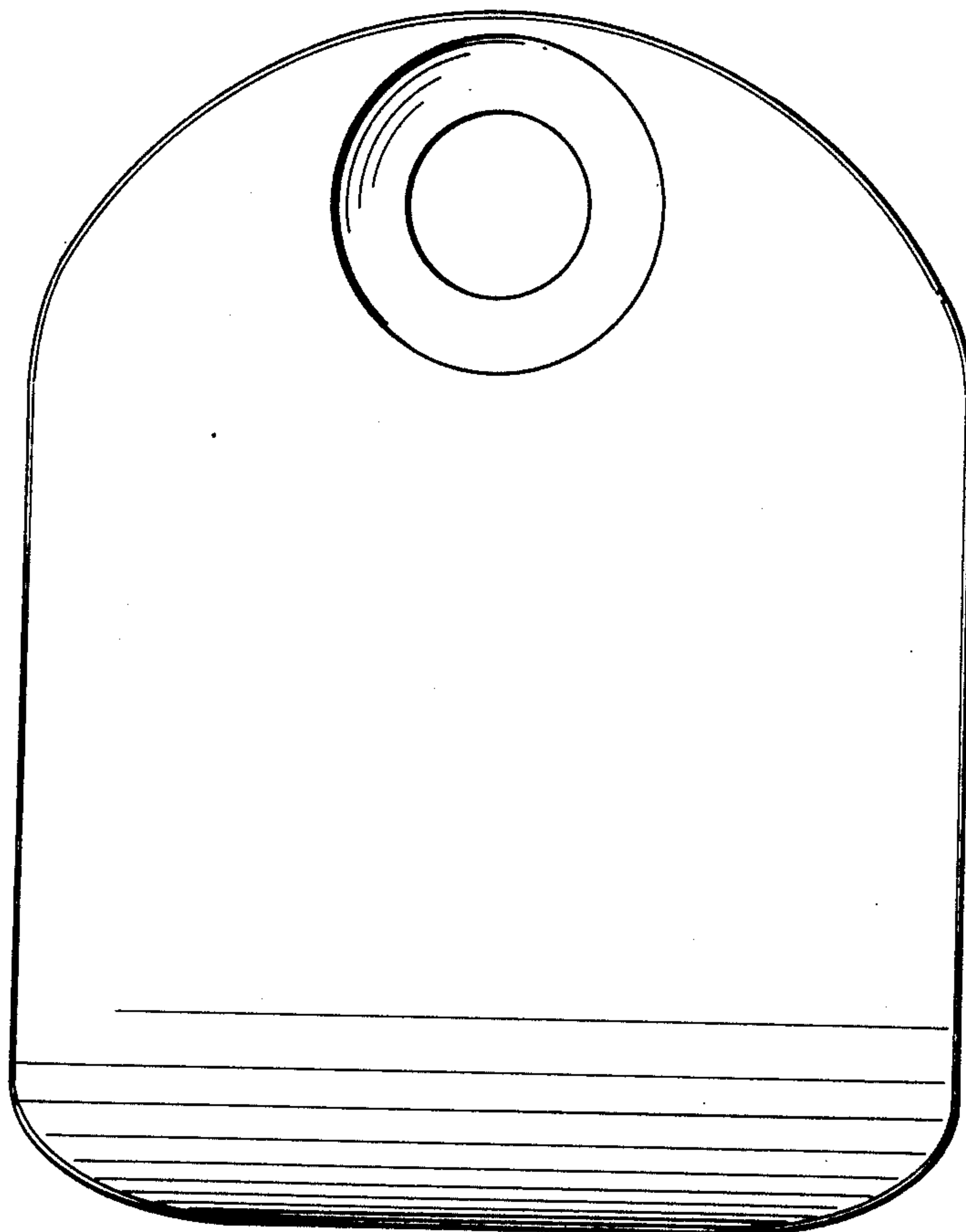


FIG. 7

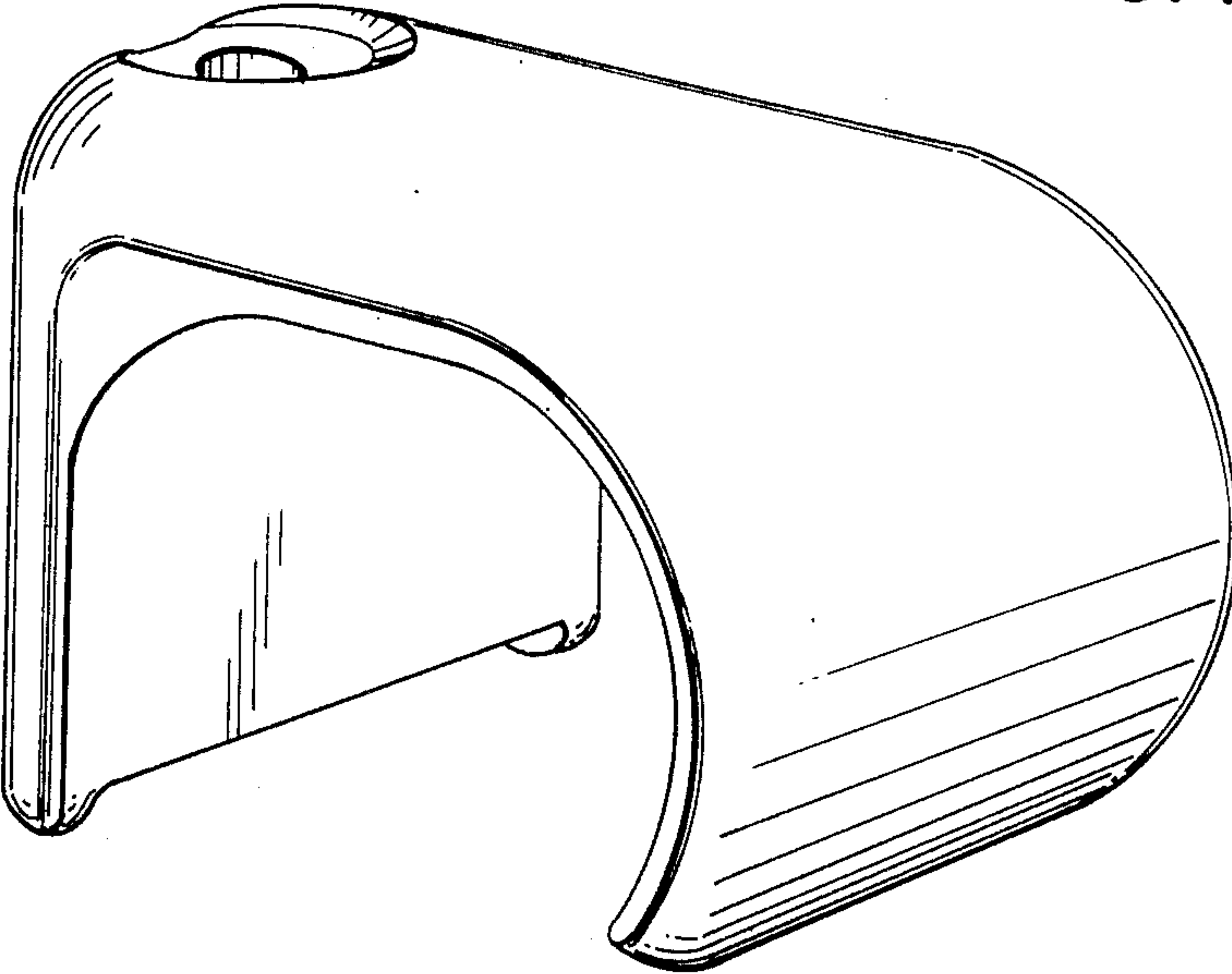


FIG. 8

