

[54] CHAIN SAW SHARPENING DEVICE

[76] Inventor: Elof Granberg, 15 Harbor View Ct., San Rafael, Calif. 94901

[\*\*] Term: 14 Years

[21] Appl. No.: 741,772

[22] Filed: Nov. 15, 1976

[51] Int. Cl. .... D8-05

[52] U.S. Cl. .... D8/91

[58] Field of Search ..... D8/91; 76/25 A, 31, 76/36

[56] References Cited

U.S. PATENT DOCUMENTS

2,896,481	7/1959	Hebbert	76/25 A
2,900,850	8/1959	Travis	76/31
3,038,355	6/1962	Granberg	76/31
3,089,351	5/1963	Nyberg	76/25 A
3,172,306	3/1965	Kephart, Jr.	76/25 A
3,768,341	10/1973	Fitzpatrick	76/31

FOREIGN PATENT DOCUMENTS

1,527,016 1/1970 Fed. Rep. of Germany ..... 76/25 A

Primary Examiner—Wallace R. Burke

Assistant Examiner—James M. Gandy

Attorney, Agent, or Firm—Ernest H. McCoy

[57] CLAIM

The ornamental design for a chain saw sharpening device, as shown.

DESCRIPTION

FIG. 1 is a perspective view showing my new design for a chain saw sharpening device it being understood that the broken lines are for illustrative purposes only.

FIG. 2 is a top plan view thereof.

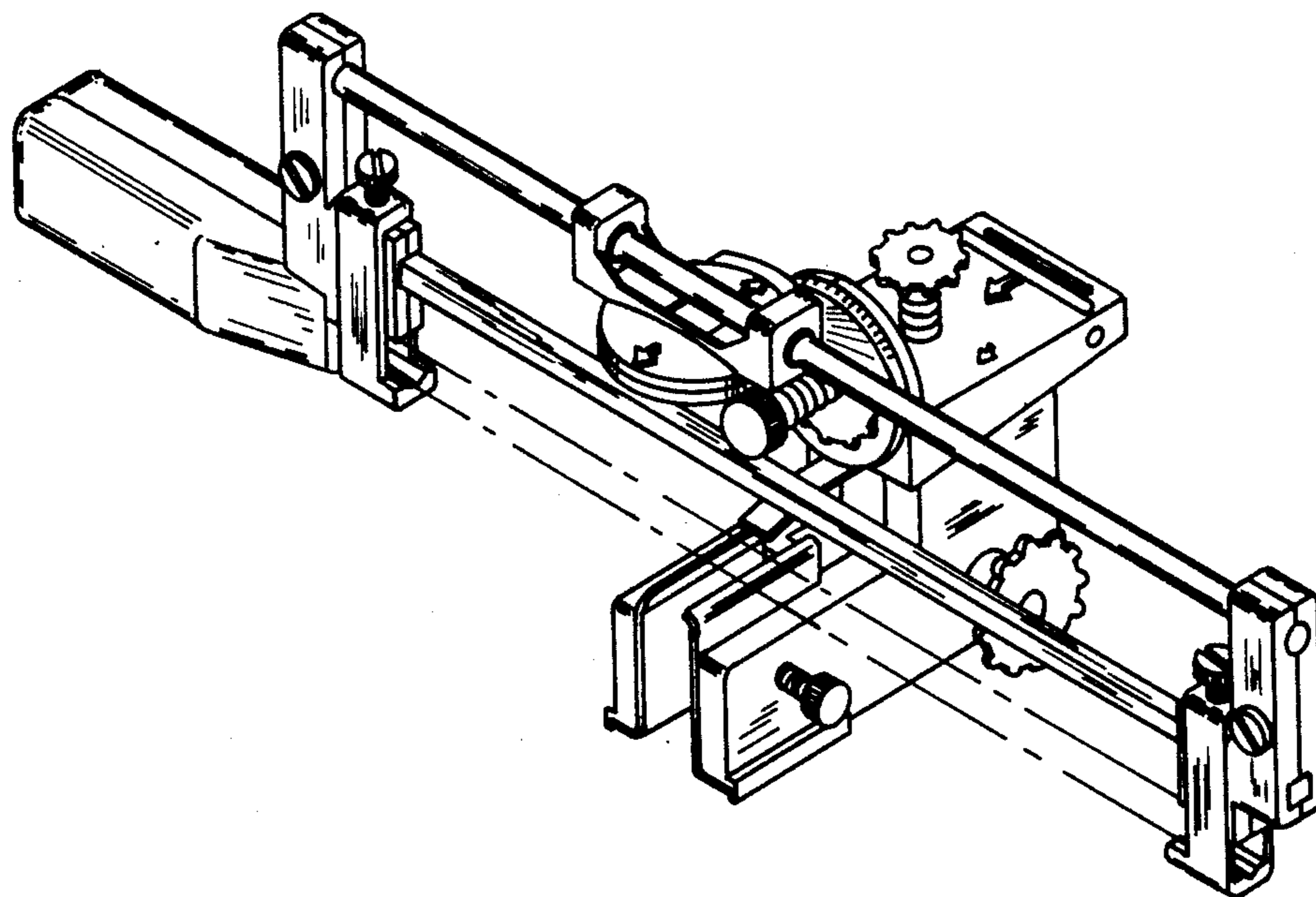
FIG. 3 is a front elevational view thereof.

FIG. 4 is a bottom plan view thereof.

FIG. 5 is a rear elevational view thereof.

FIG. 6 is a right side elevational view thereof.

FIG. 7 is a left side elevational view thereof.



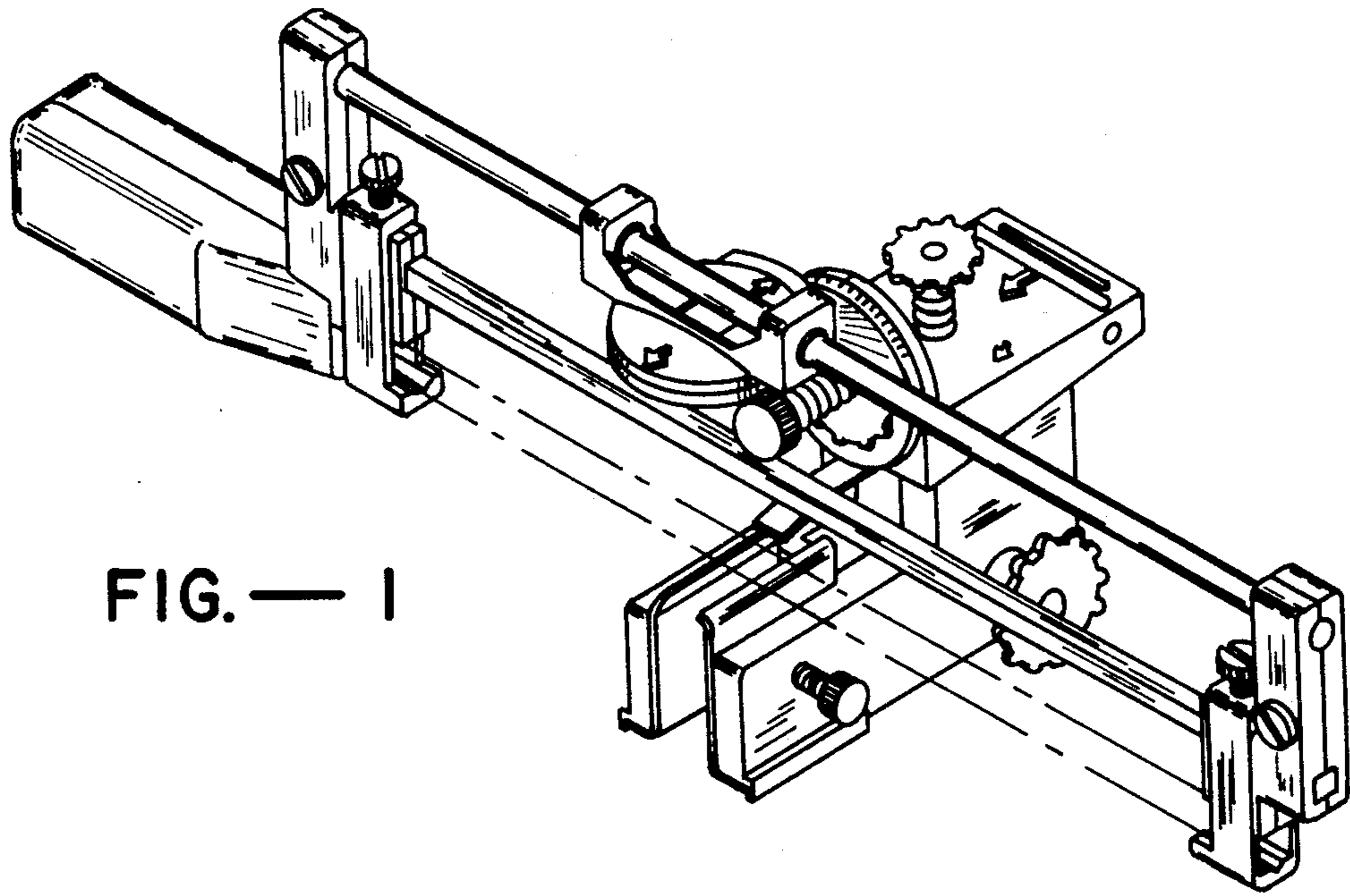


FIG.— 1

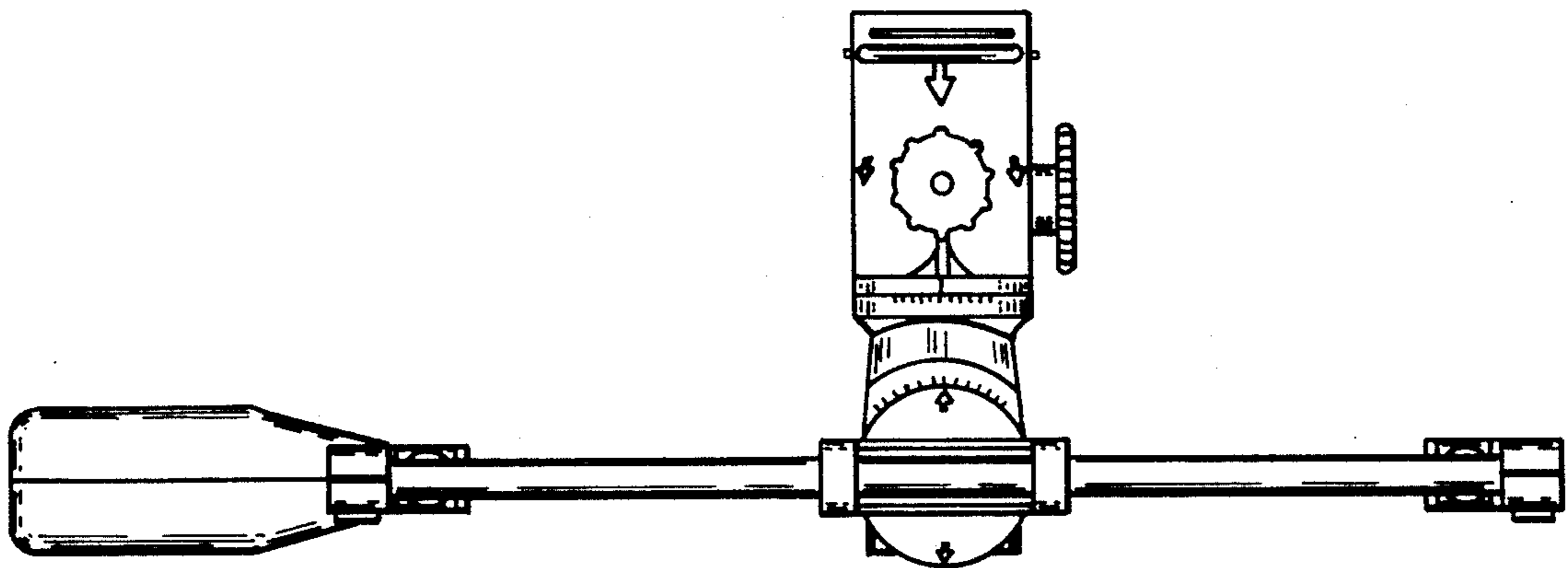


FIG.— 2

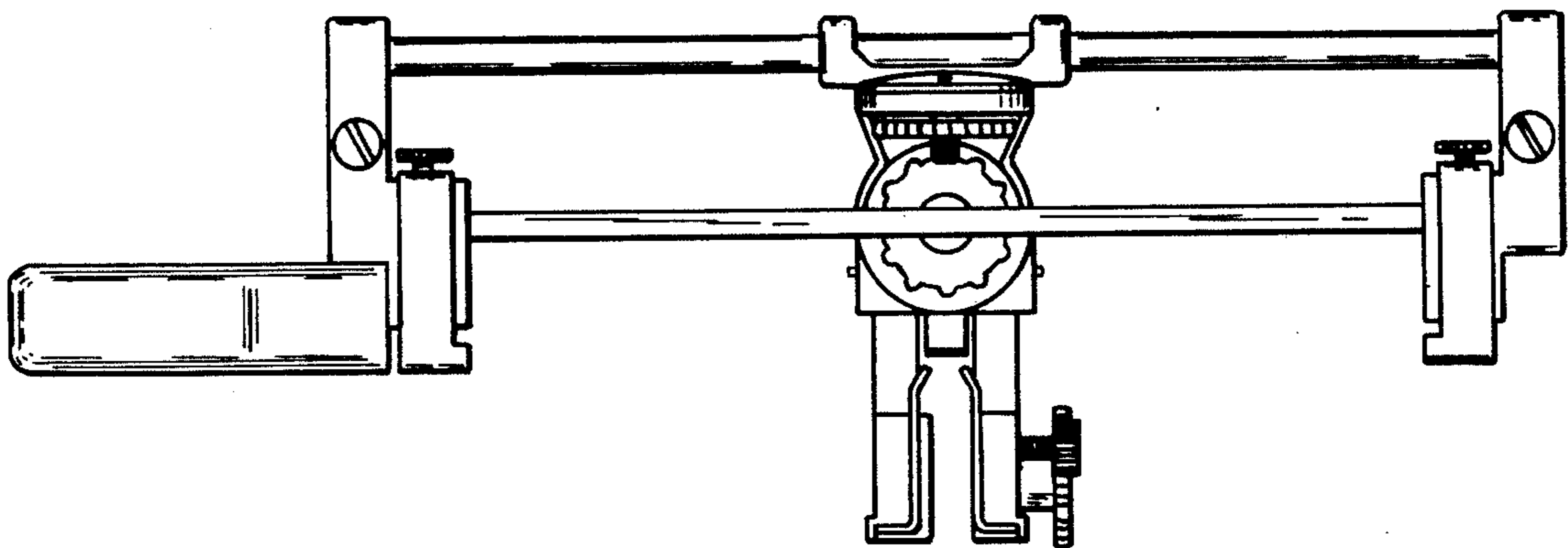


FIG.— 3

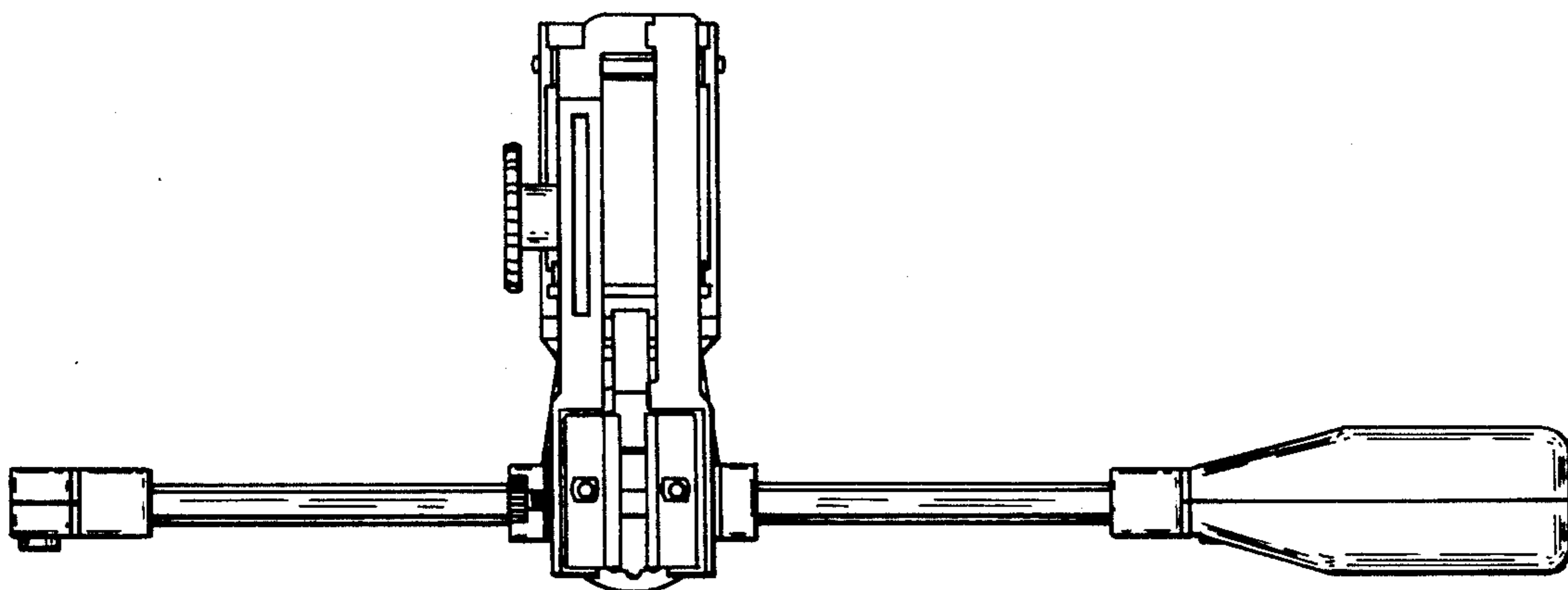


FIG. — 4

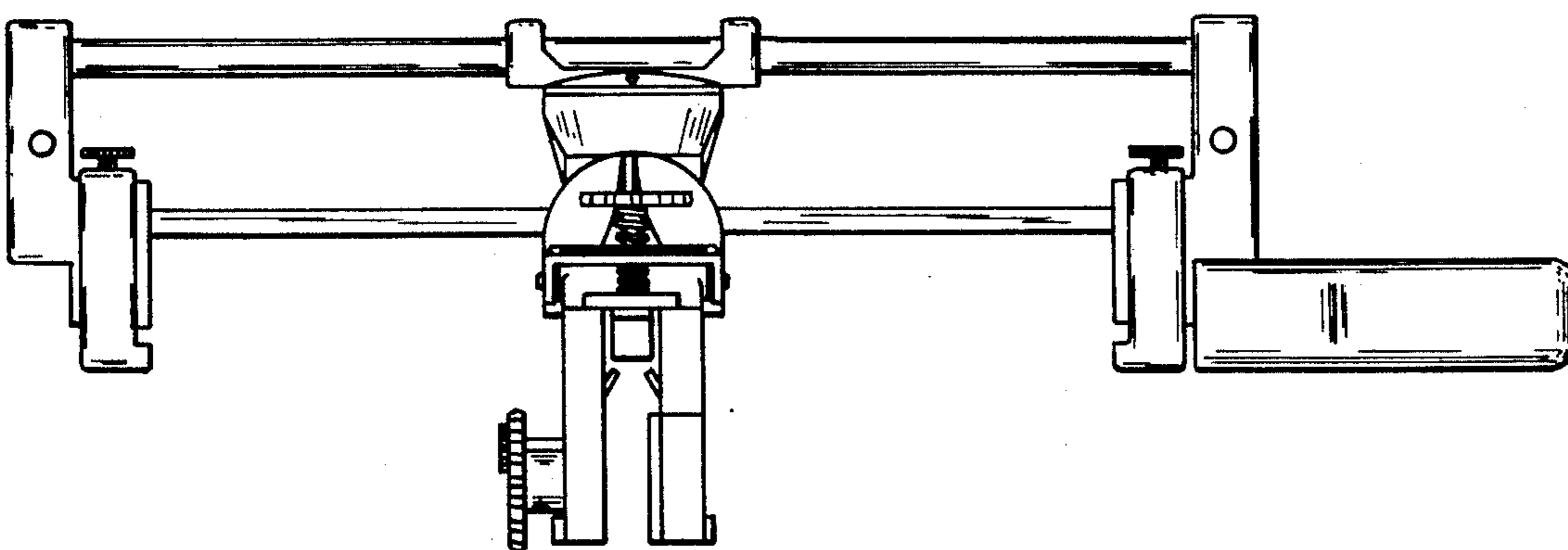


FIG. — 5

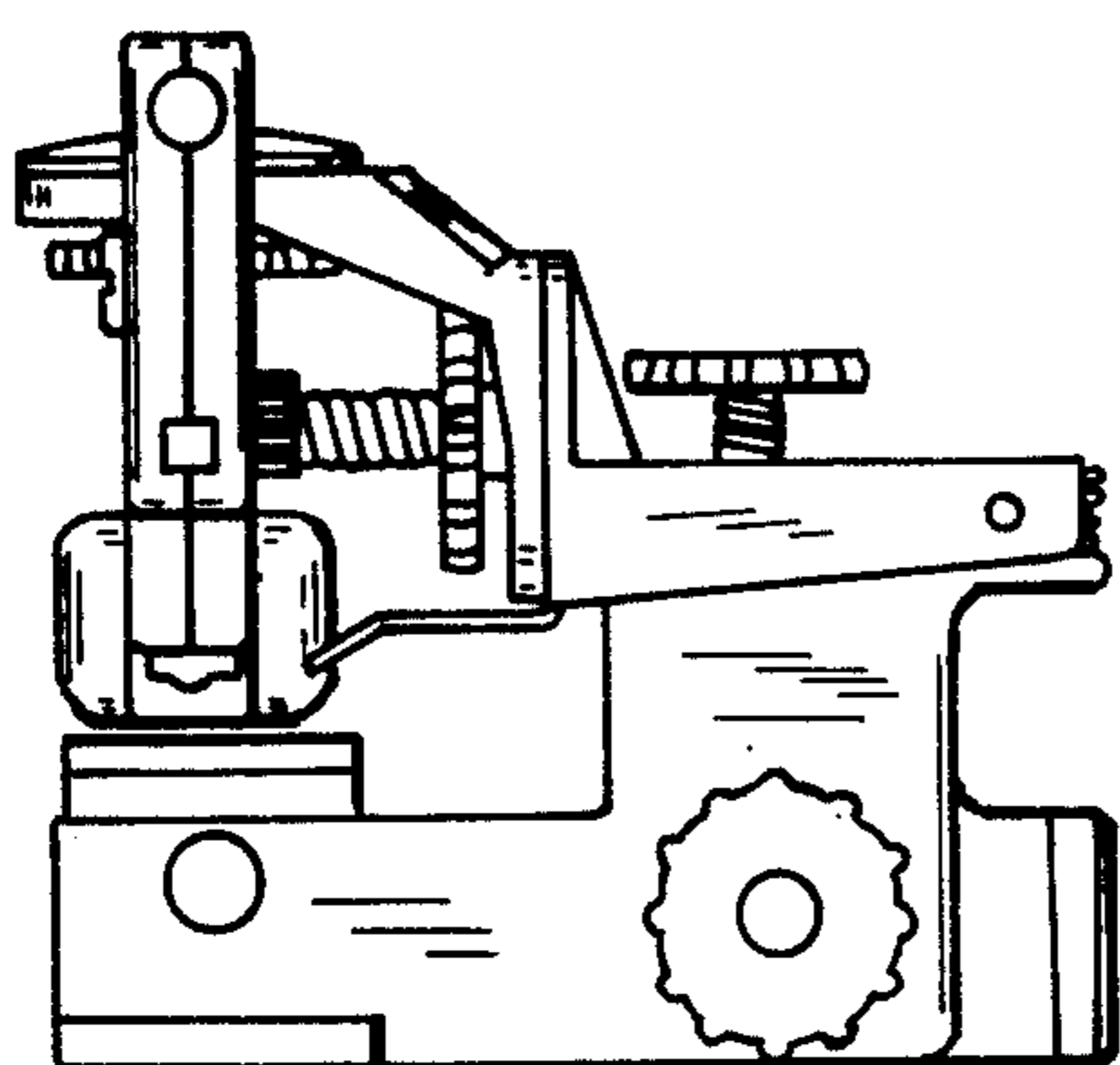


FIG. — 6

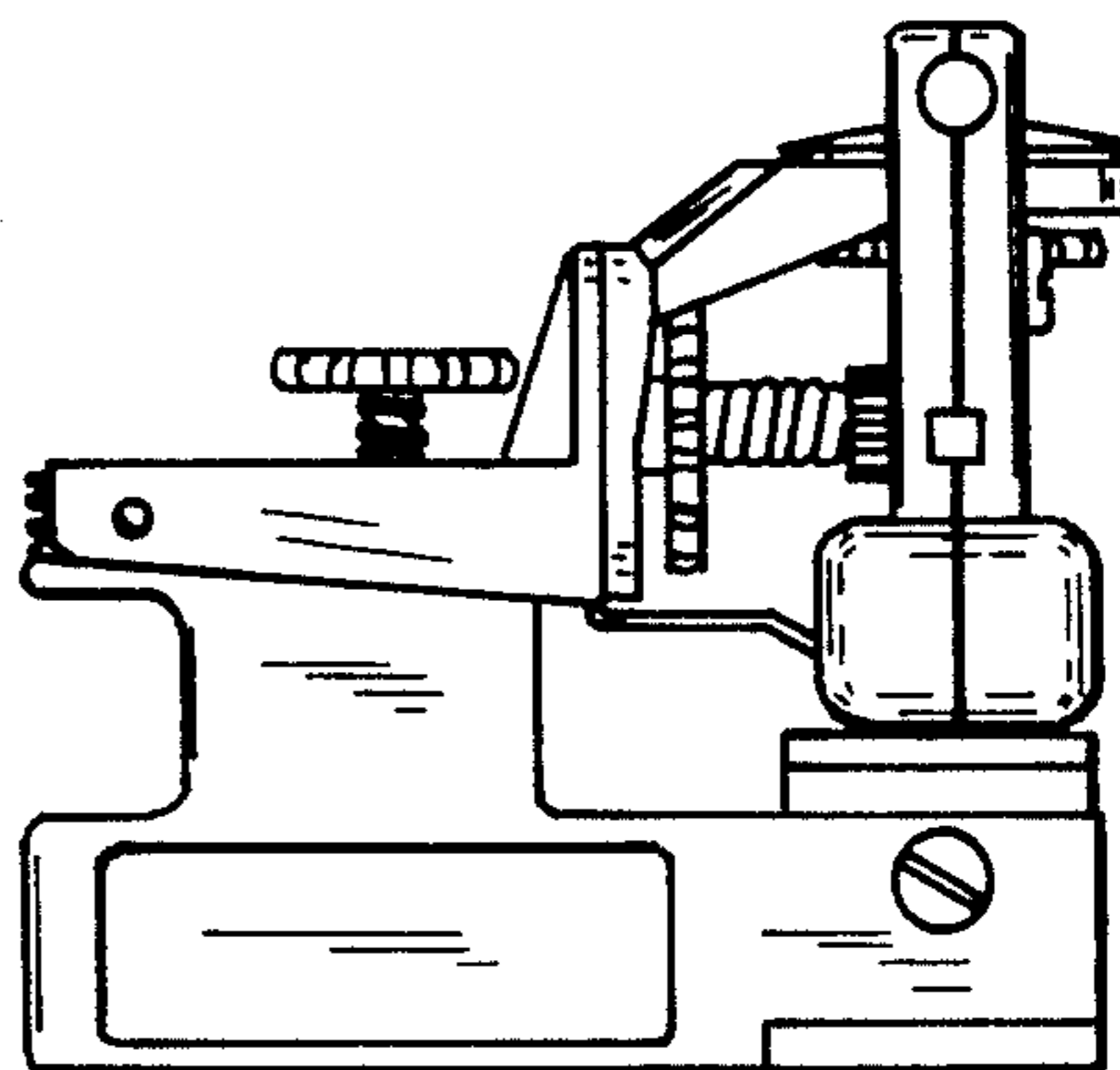


FIG. — 7