

[54] WORKBENCH

[76] Inventors: **Ronald P. Hickman, "Badgers,"**
Middle St., Waltham Abbey, Essex
EN9 2LB; **Brian Anthony Luff, 25,**
Western Rd., Nazeing, Waltham
Abbey, Essex, both of England

D. 230,801	3/1974	Hickman	D6/179
D. 245,215	8/1977	Silvay	D6/179
3,241,633	3/1966	Bond et al.	D6/178 X
3,295,475	1/1967	McClellan	D6/178 X
4,034,684	7/1977	Carson et al.	108/127

Primary Examiner—Bruce W. Dunkins
Attorney, Agent, or Firm—Granville M. Brumbaugh

[**] Term: 14 Years

[21] Appl. No.: 760,940

[22] Filed: Jan. 21, 1977

[30] Foreign Application Priority Data

Jul. 22, 1976 [GB] United Kingdom 976581

[51] Int. Cl. D6-03

[52] U.S. Cl. D6/178

[58] Field of Search D6/177, 178, 179;
108/122, 123, 127, 131, 133

[56] References Cited

U.S. PATENT DOCUMENTS

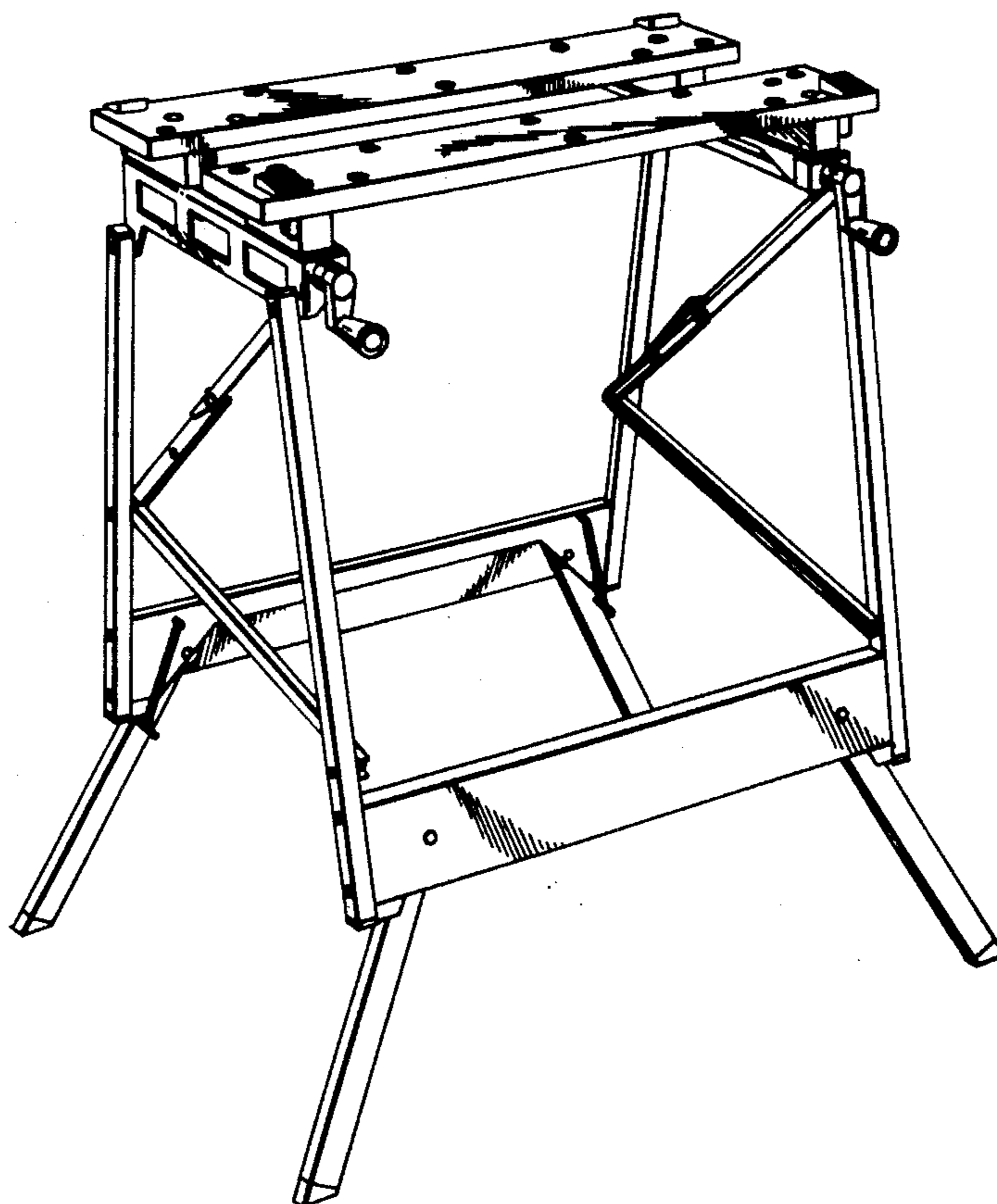
D. 177,657 5/1956 Bedol D6/178

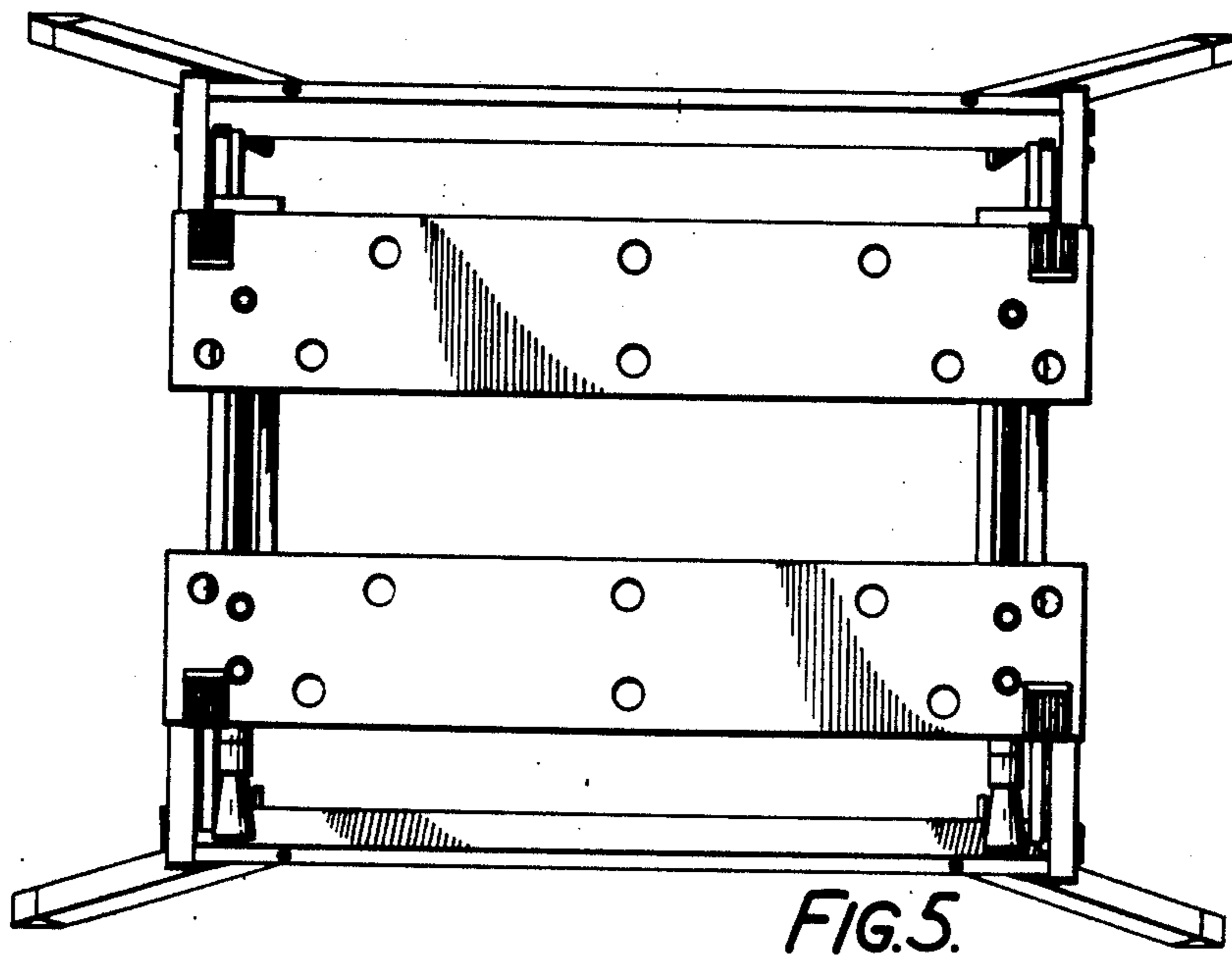
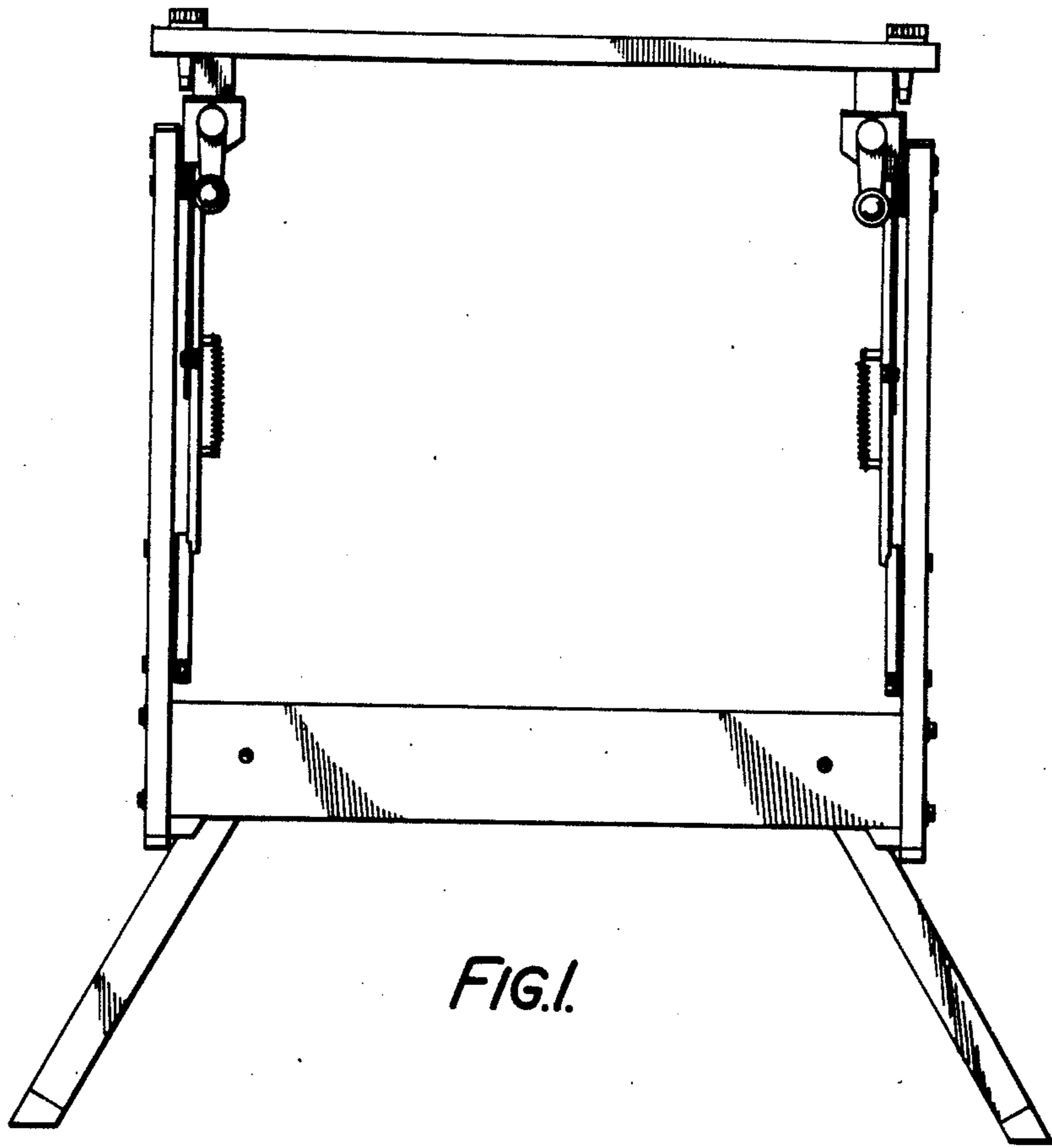
[57] CLAIM

The ornamental design for a workbench, substantially as shown.

DESCRIPTION

FIG. 1 is a front view of a workbench showing our new design;
FIG. 2 is a left side view of a workbench showing our new design;
FIG. 3 is a right side view of a workbench showing our new design;
FIG. 4 is a rear view of a workbench showing our new design;
FIG. 5 is a top view of a workbench showing our new design; and
FIG. 6 is a perspective view of the front taken from above and the left.





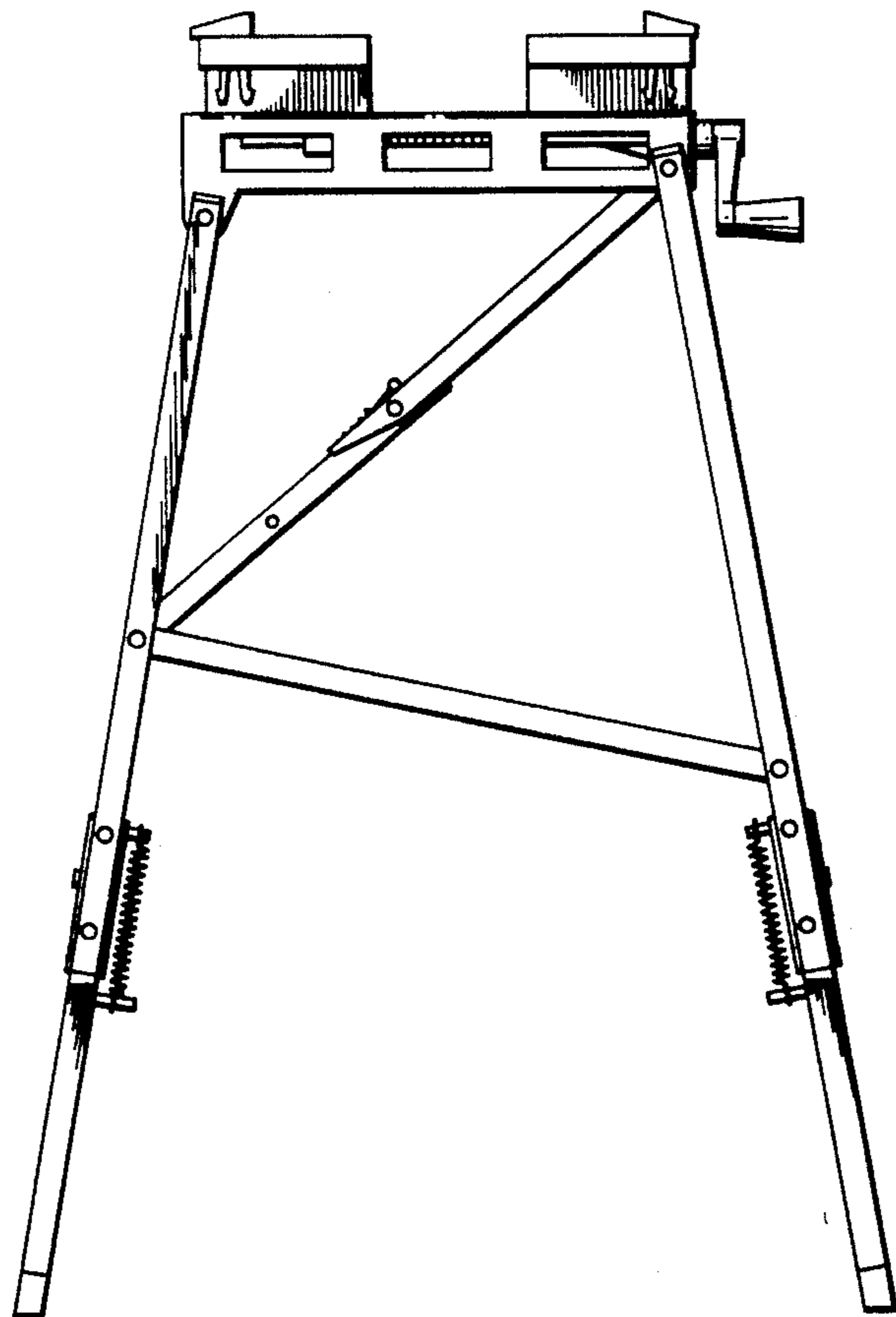


FIG.2.

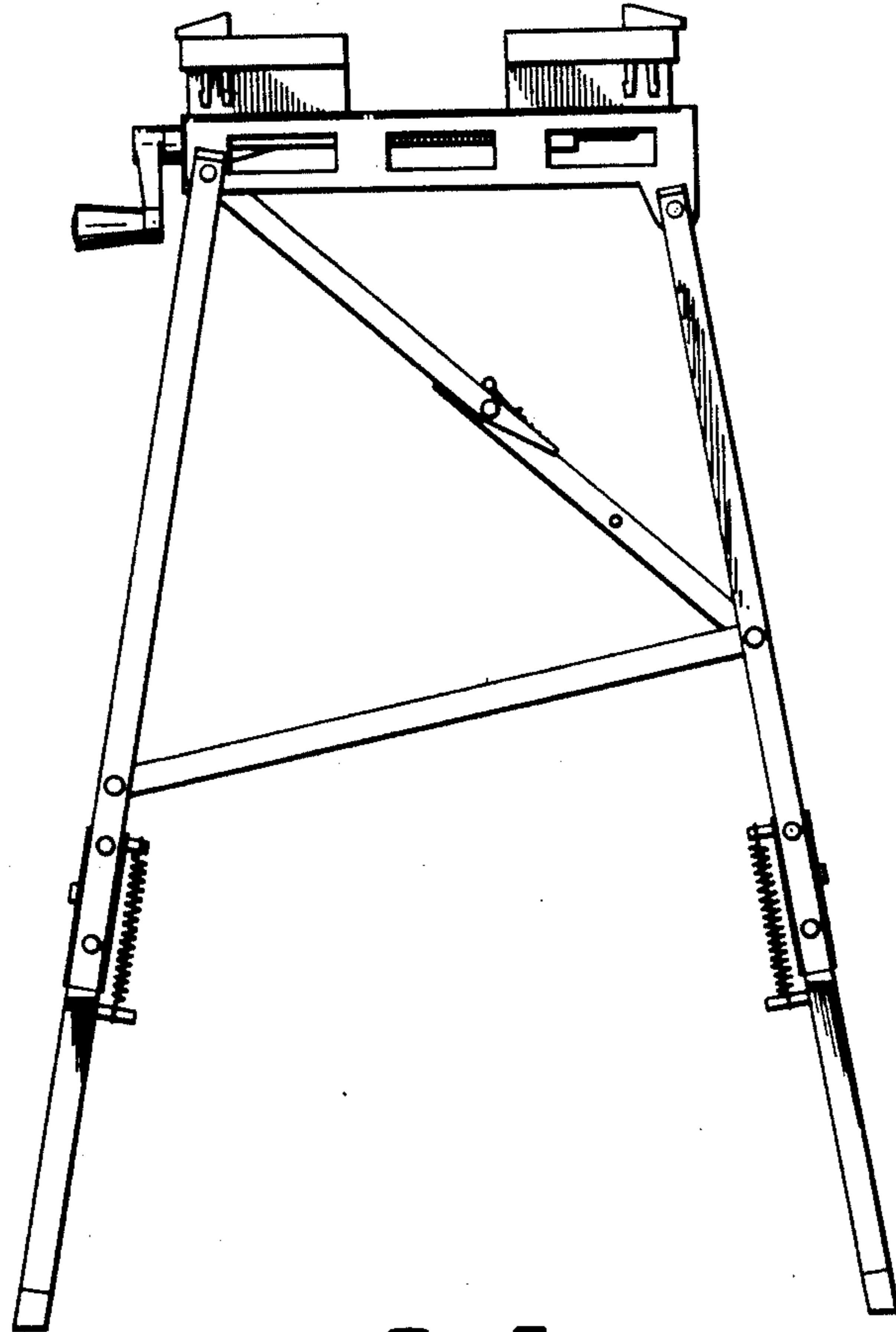
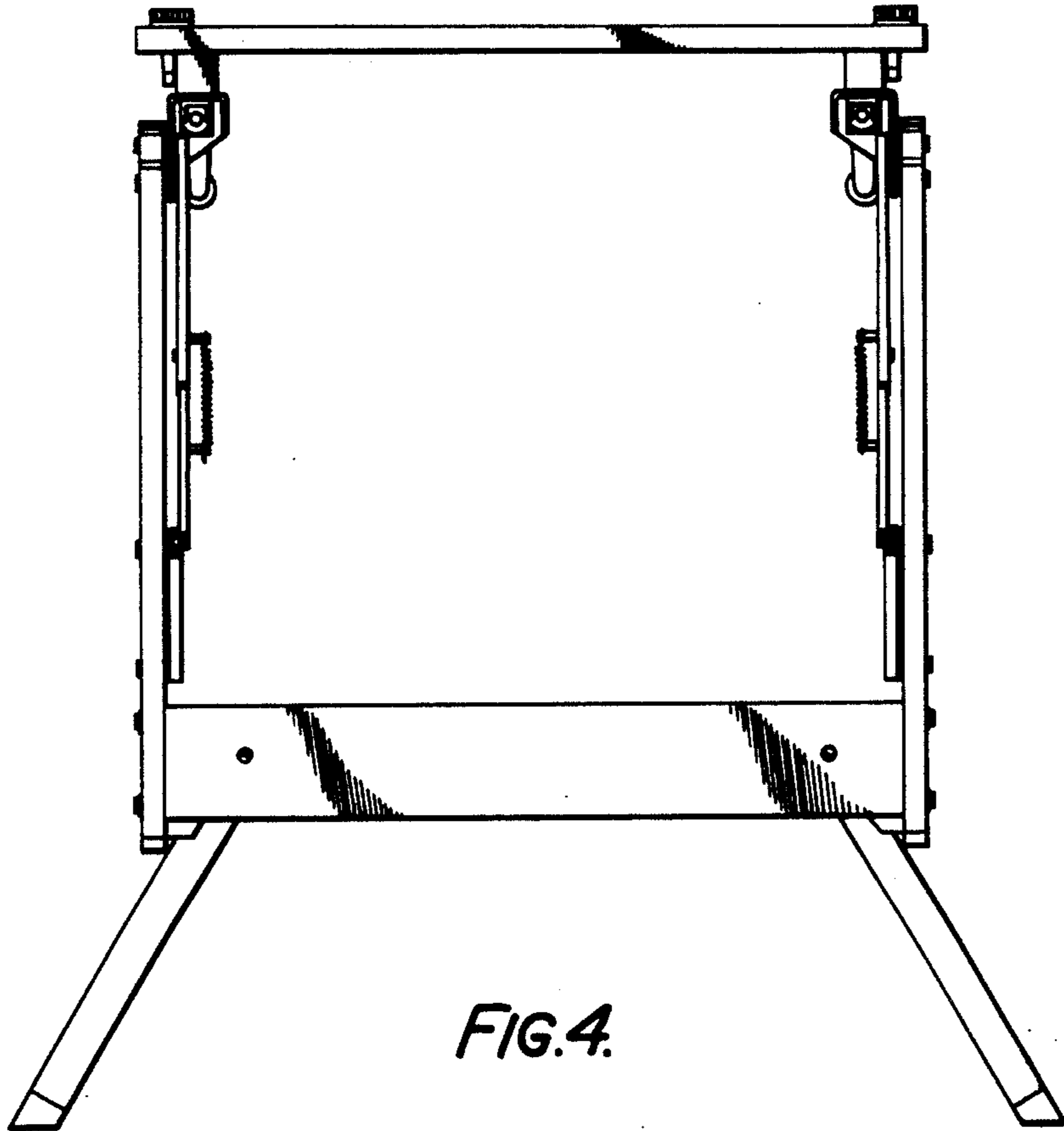


FIG. 3.



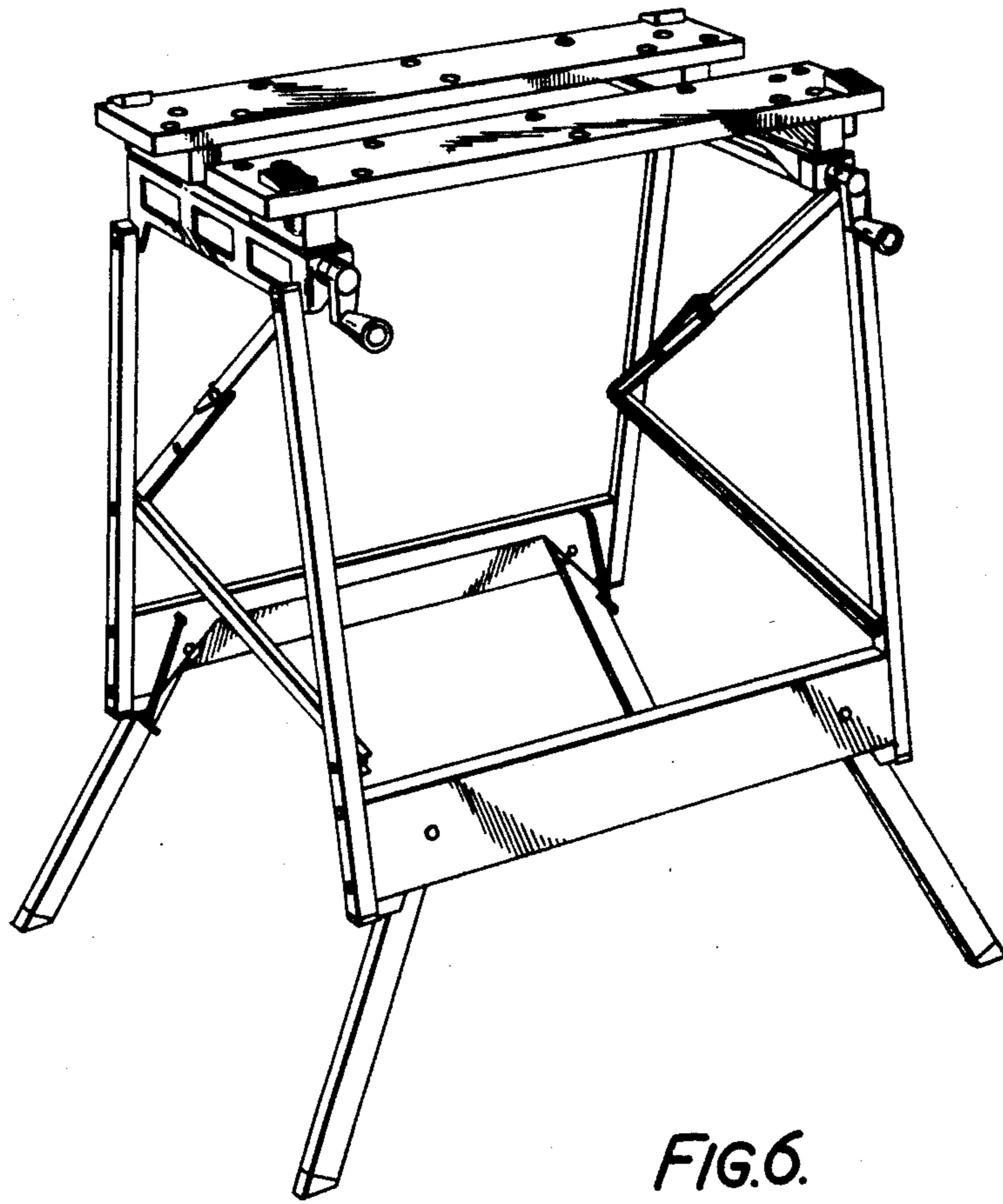


FIG. 6.