

[54] CHAIR OR SIMILAR ARTICLE

[76] Inventor: David G. Fong, 1637 Sacramento St., #15, San Francisco, Calif. 94109

[**] Term: 14 Years

[21] Appl. No.: 745,348

[22] Filed: Nov. 26, 1976

[51] Int. Cl. D6-01

[52] U.S. Cl. D6/56; D6/78

[58] Field of Search D6/20, 26, 30, 31, 47-78

[56] References Cited

U.S. PATENT DOCUMENTS

- D. 102,999 2/1937 Terker D6/56
- D. 181,372 11/1957 Schaffer D6/56

- D. 231,757 6/1974 Golzer D6/56
- D. 234,478 3/1975 Koepke D6/56
- D. 237,671 11/1975 Grosfillex D6/56
- D. 244,812 6/1977 Buhk D6/56

Primary Examiner—Bruce W. Dunkins
Attorney, Agent, or Firm—Paul D. Flehr

[57] CLAIM

The ornamental design for a chair or similar article, as shown and described.

DESCRIPTION

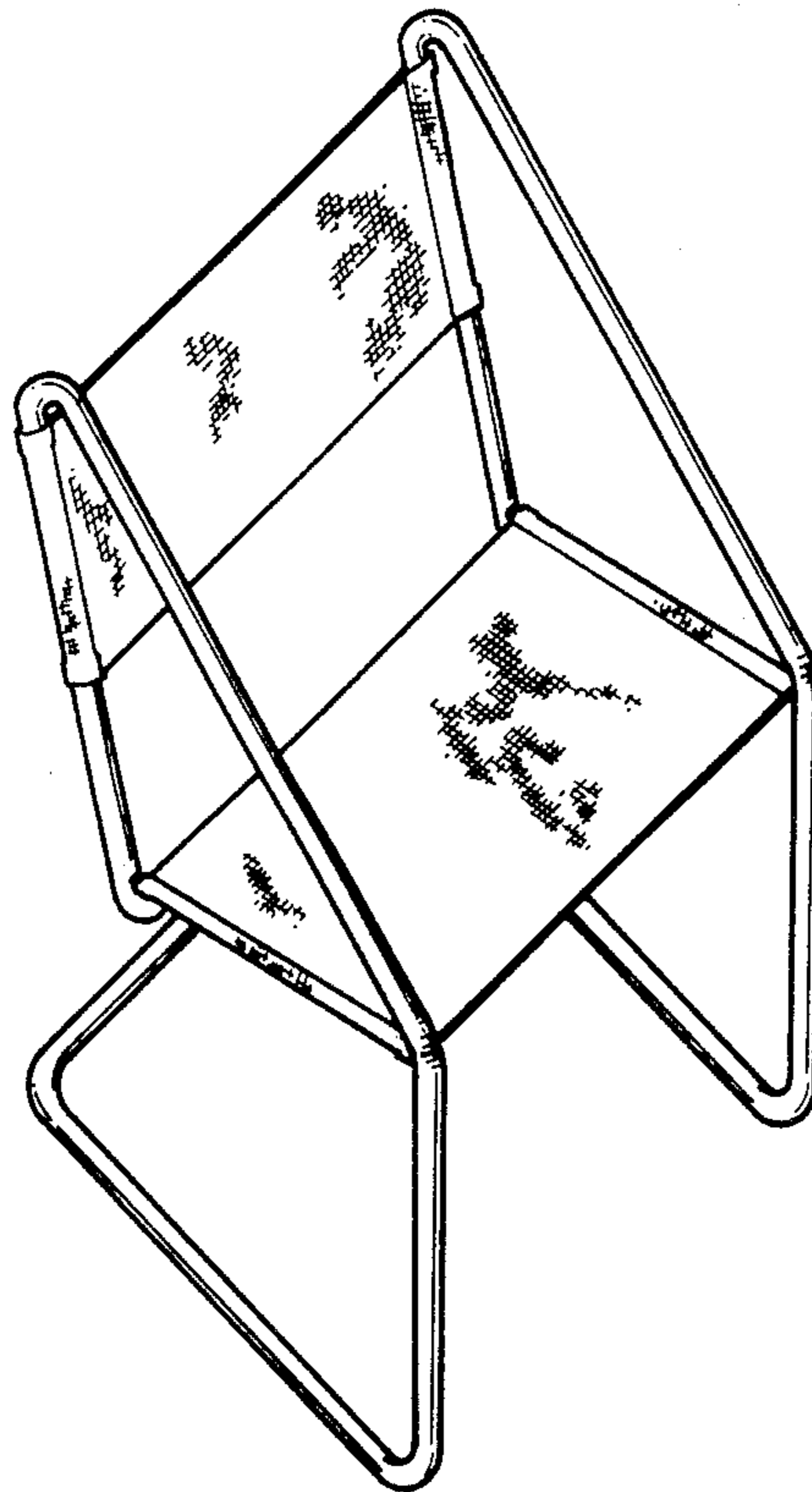
FIG. 1 is a perspective view of a chair or similar article showing my design.

FIG. 2 is a side perspective view thereof.

FIG. 3 is a front elevational view thereof.

FIG. 4 is a view in top plan of the chair of FIG. 1.

FIG. 5 is a rear elevational view thereof.



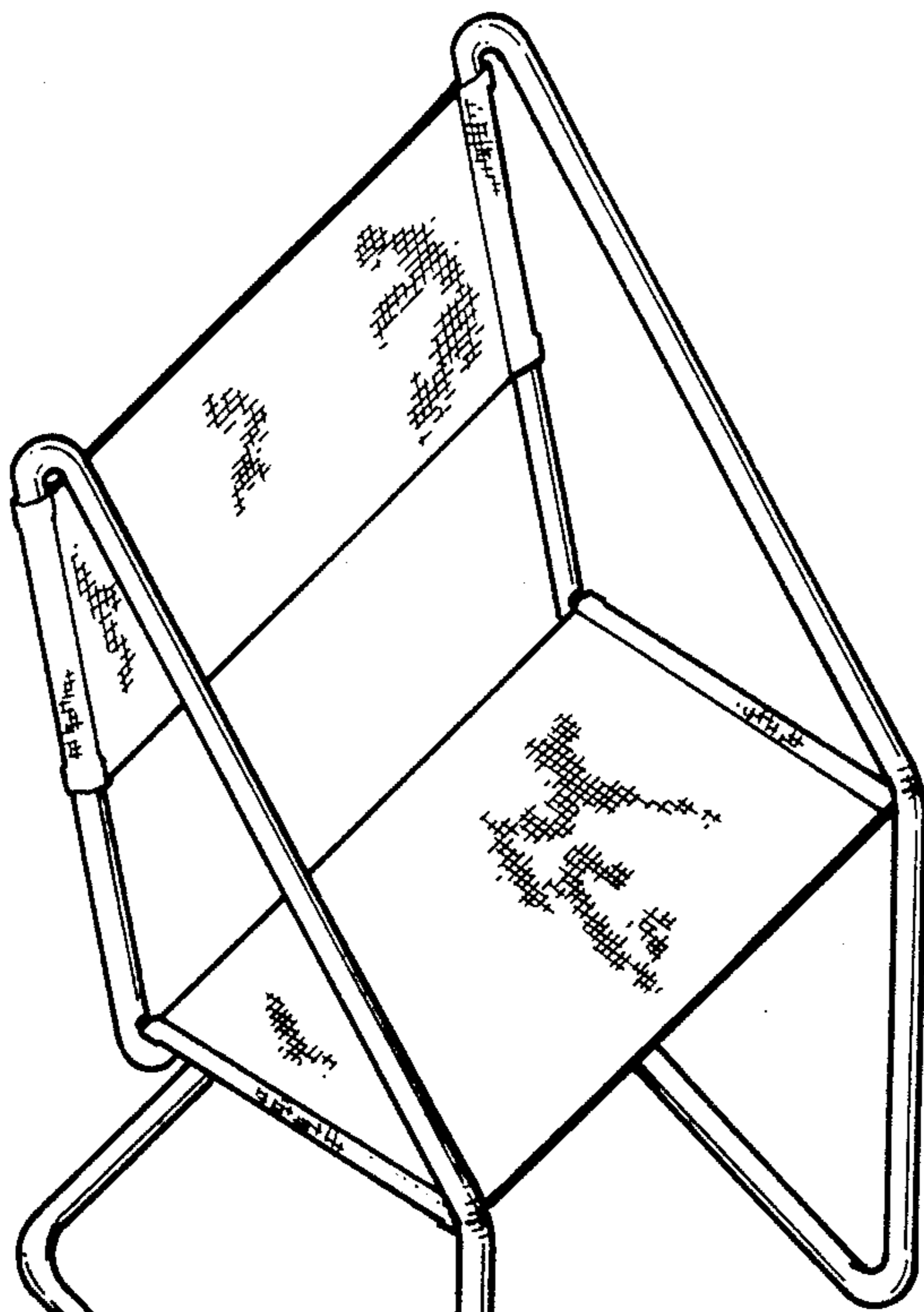


FIG. 1

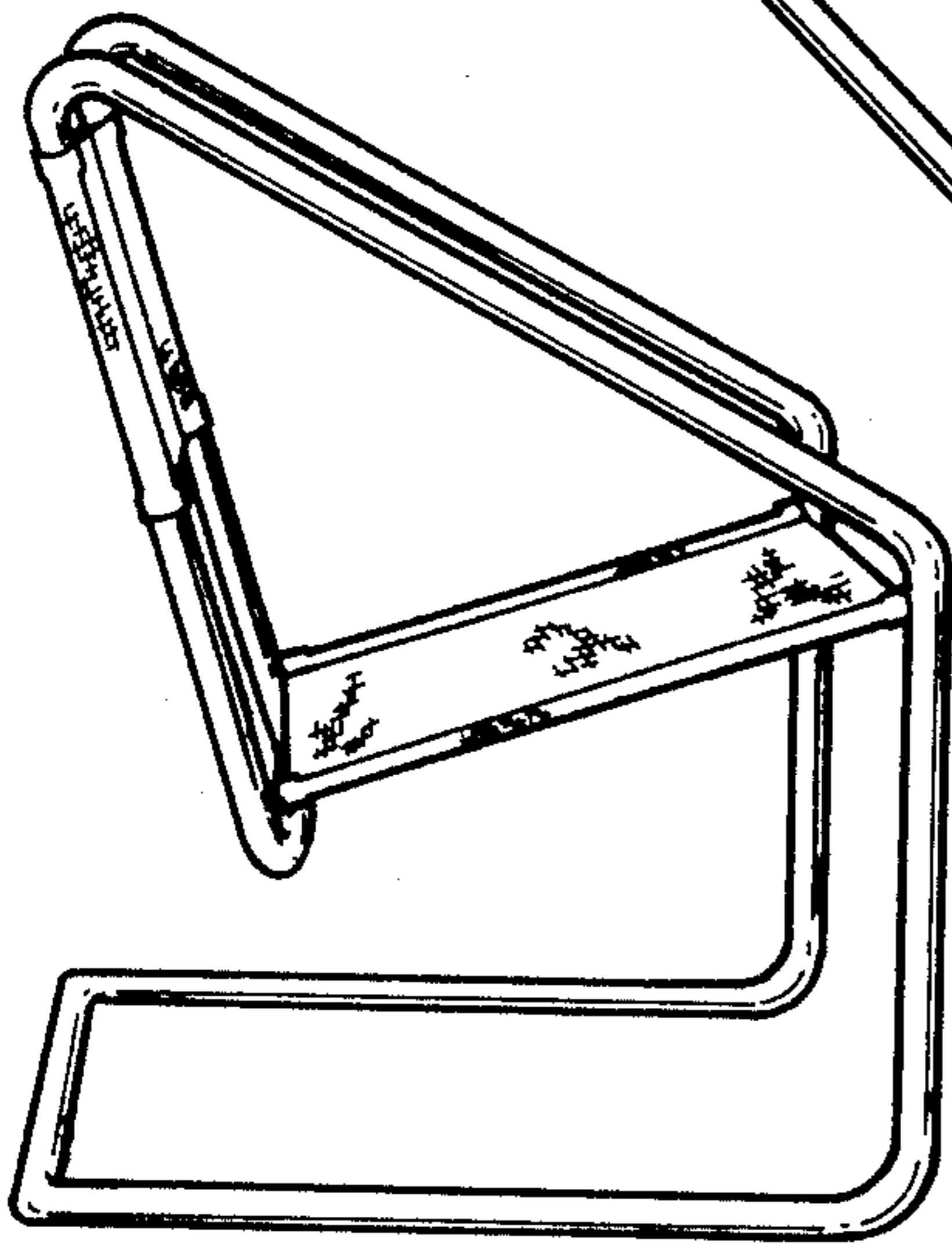


FIG. 2

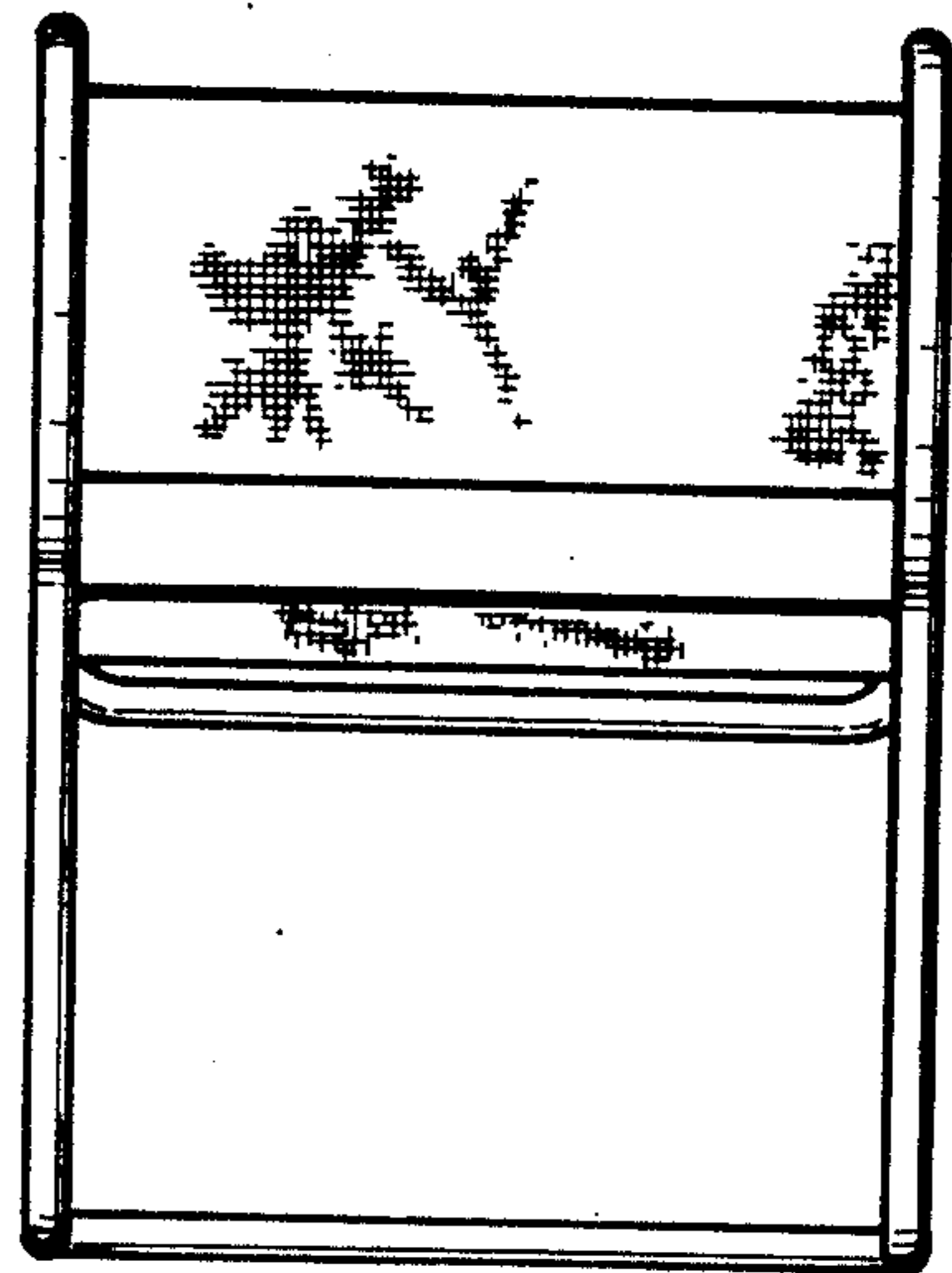


FIG. 3

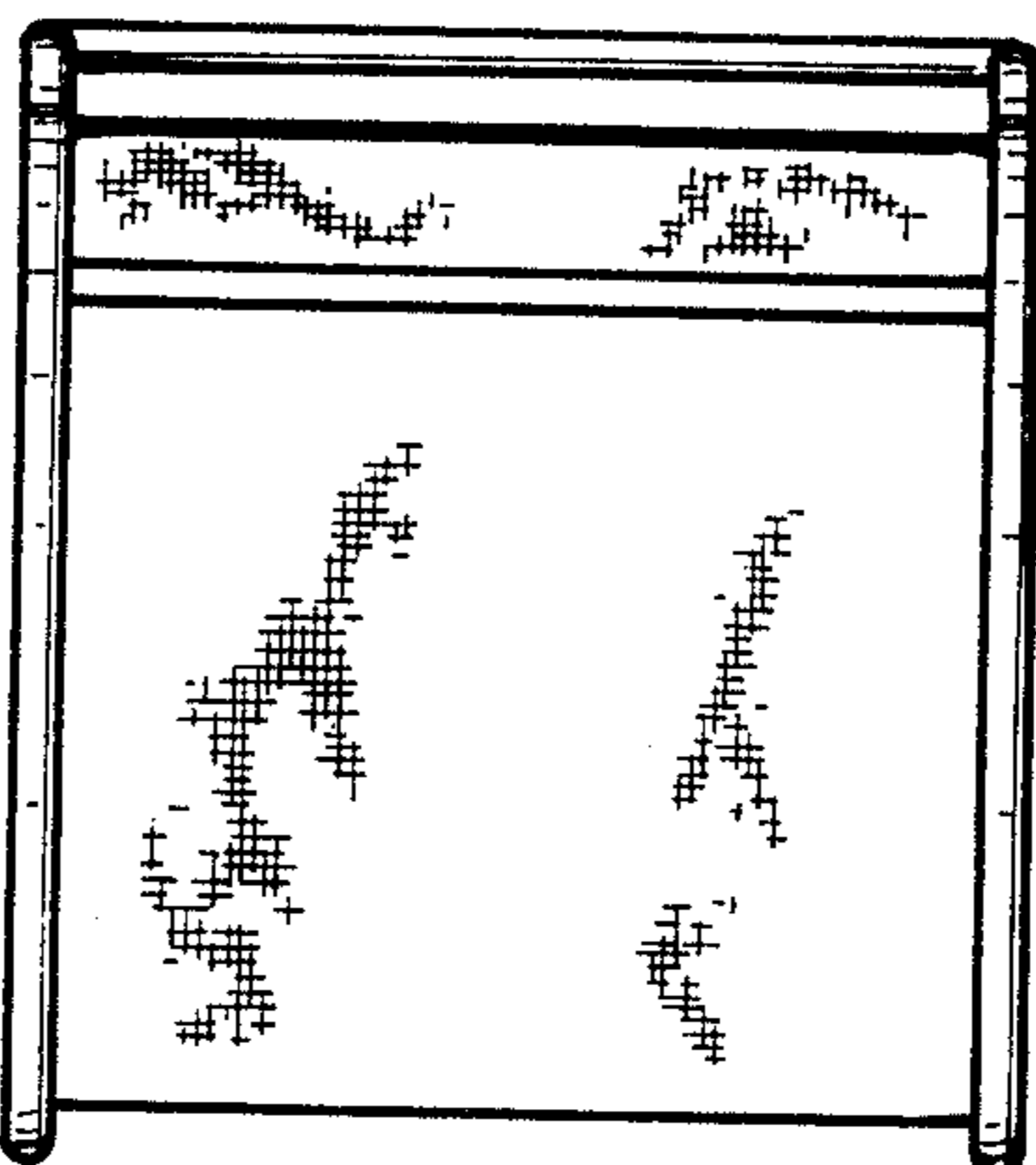


FIG. 4

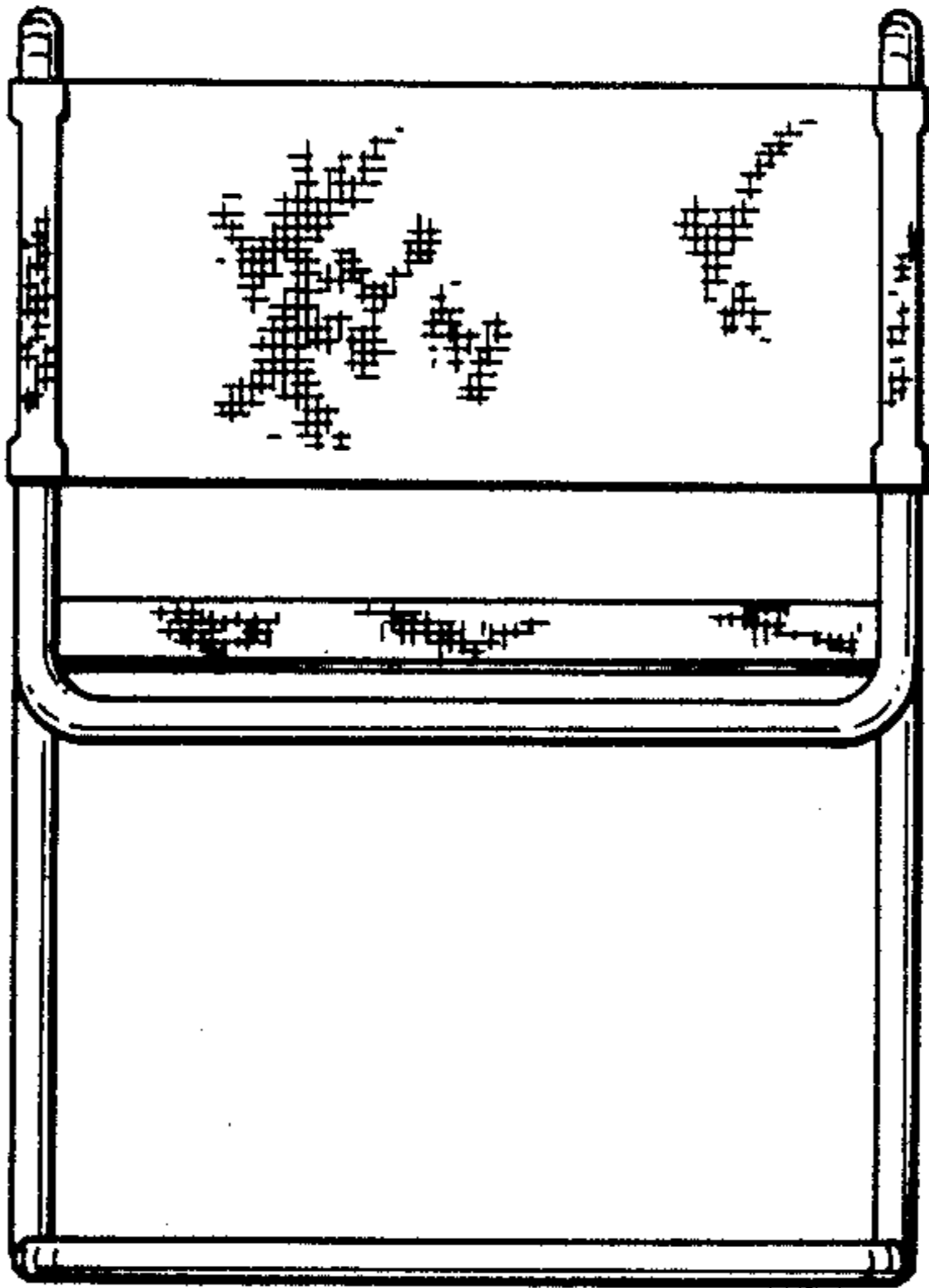


FIG. 5