

[54] AUTOMOTIVE CONSOLE TRAY

[76] Inventor: Daniel M. Monopoli, 65 E. Palatine Rd., Wheeling, Ill. 60090

[**] Term: 3½ Years

[21] Appl. No.: 725,041

[22] Filed: Sep. 20, 1976

[51] Int. Cl. D12-16

[52] U.S. Cl. D87/1 R

[58] Field of Search D81/1 R; D12/155; D7/70; 296/37.8, 37.12, 37.15, 37.16; 224/29 R, 29 D, 29 G, 42.42 R, 42.42 A; 108/44, 48

[56] References Cited

U.S. PATENT DOCUMENTS

D. 167,974 10/1952 Ferguson D87/1 R
D. 244,487 5/1977 Jensen D87/1 R

OTHER PUBLICATIONS

J. C. Whitney, Cat. #348B(©)1976, p. 10, top left. R. V. Dealer, Jun. 1976, p. 43.

Primary Examiner—Joel Stearman
Assistant Examiner—George P. Word
Attorney, Agent, or Firm—Marshall A. Burmeister

[57] CLAIM

The ornamental design for an "automotive console tray," as shown and described.

DESCRIPTION

FIG. 1 is a perspective view of an automotive console tray showing my design;
FIG. 2 is a left side elevational view;
FIG. 3 is a front elevational view;
FIG. 4 is a rear elevational view;
FIG. 5 is a top plan view; and
FIG. 6 is a bottom plan view.

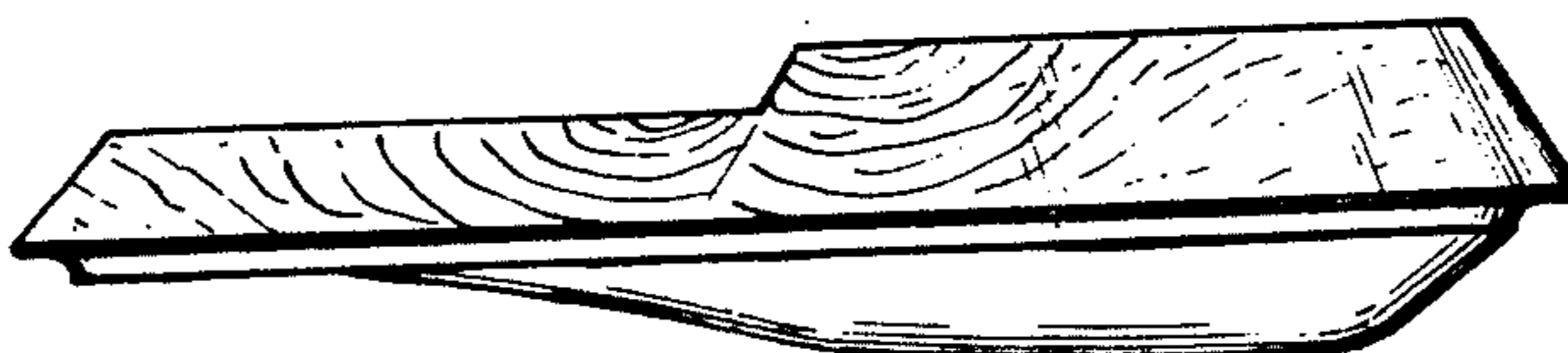
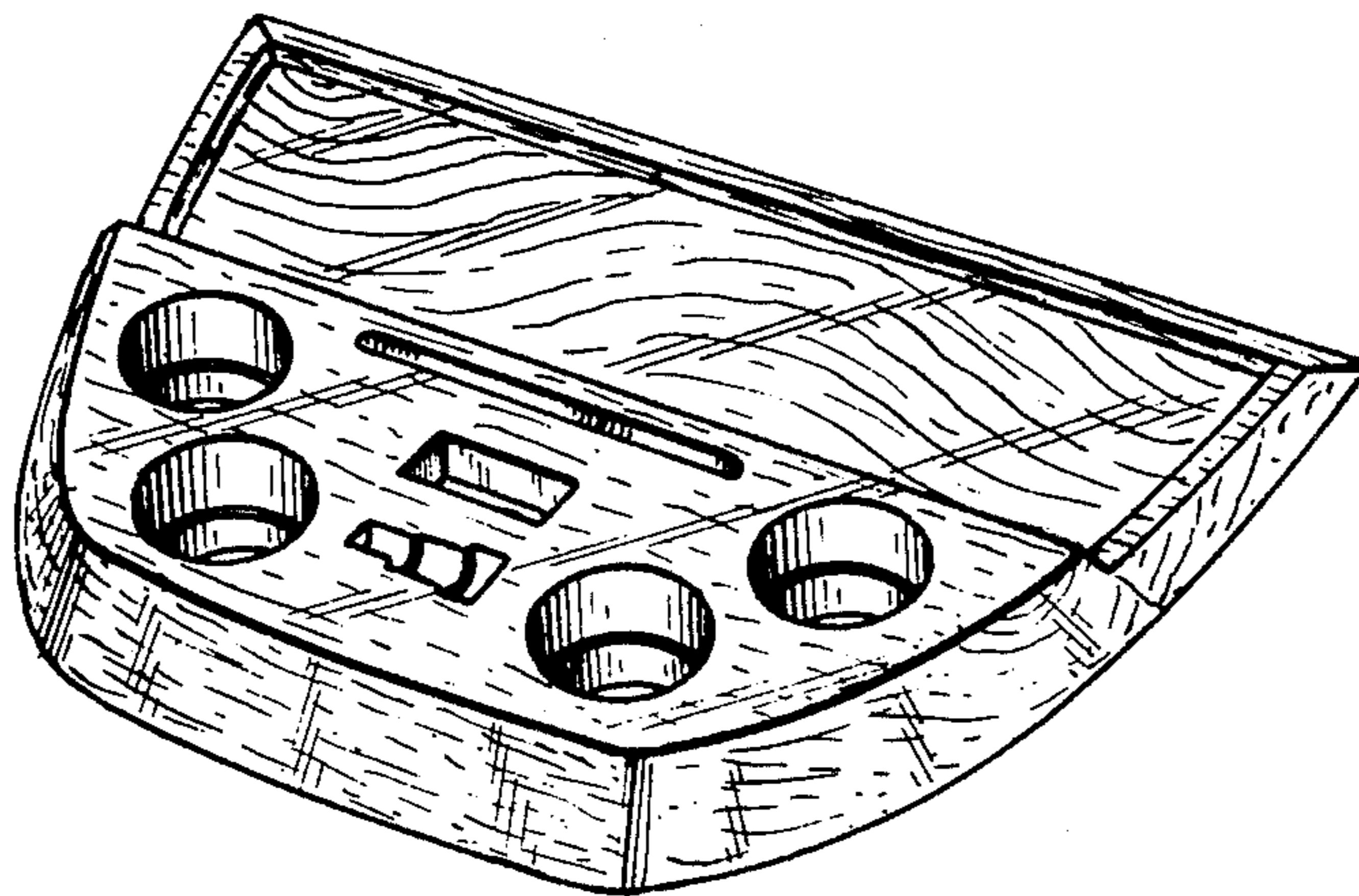


Fig. 1.

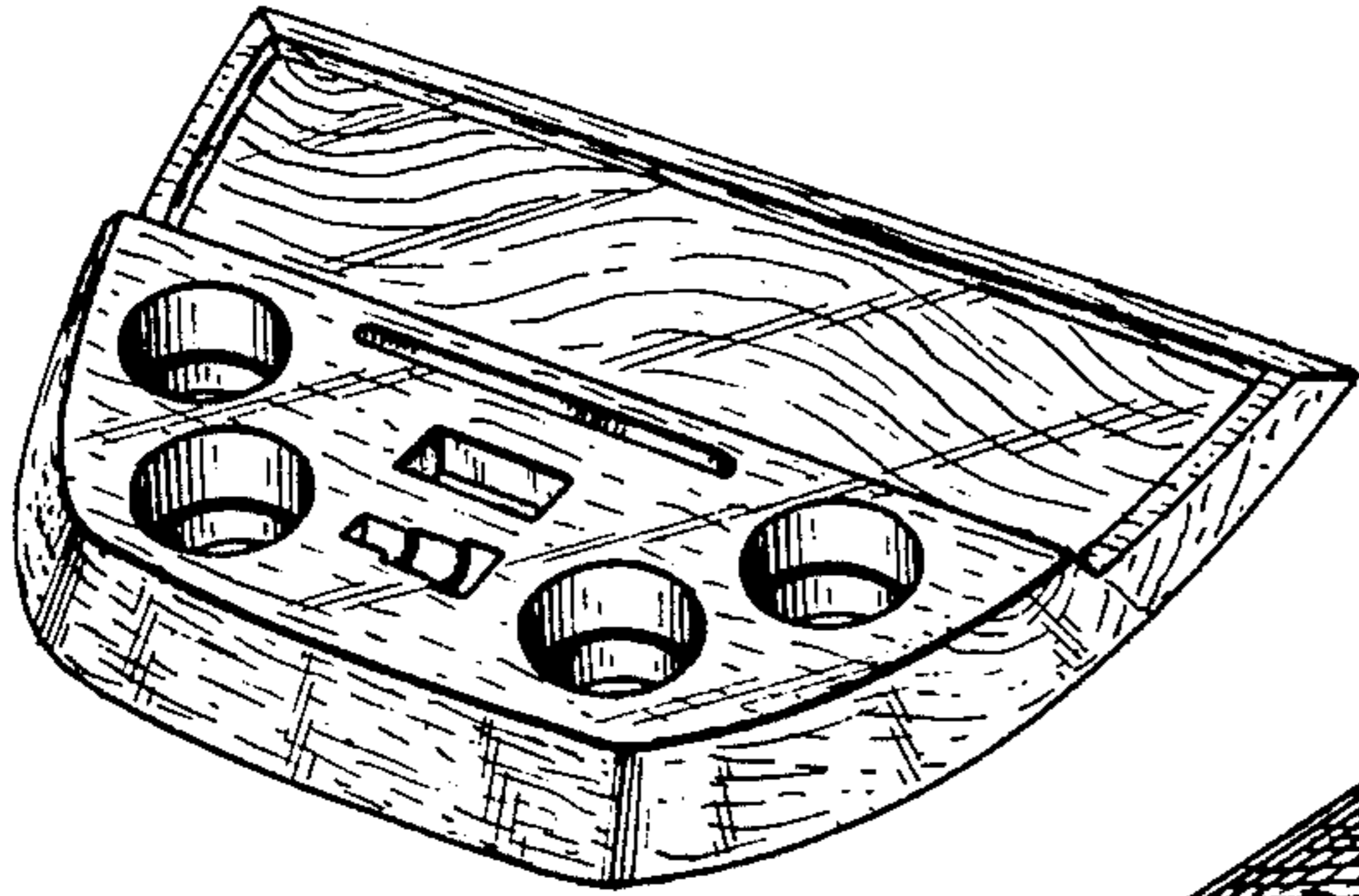


Fig. 2.

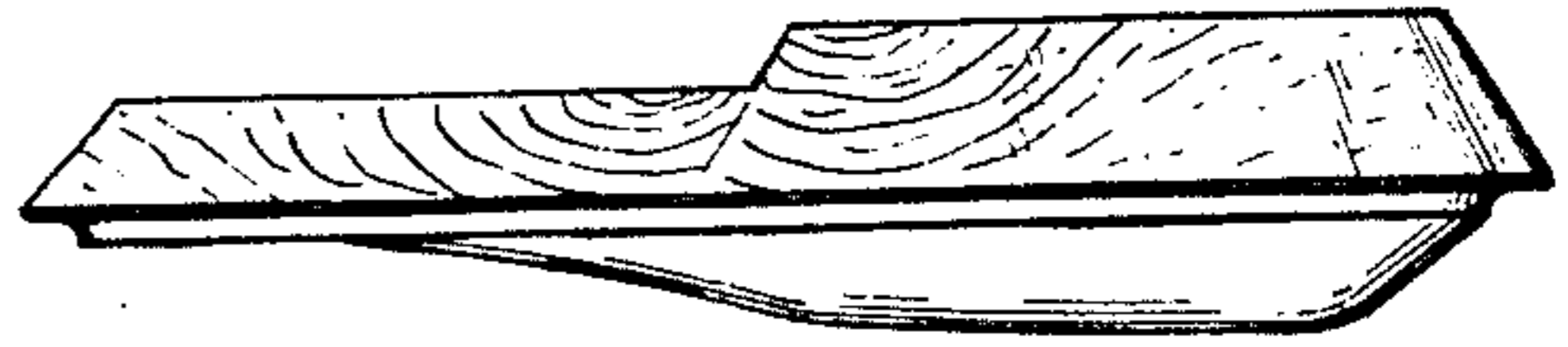


Fig. 3.

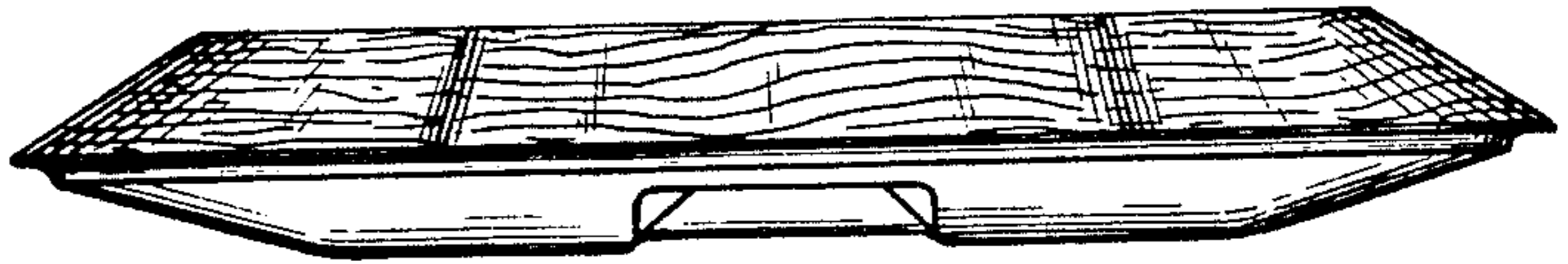


Fig. 4.

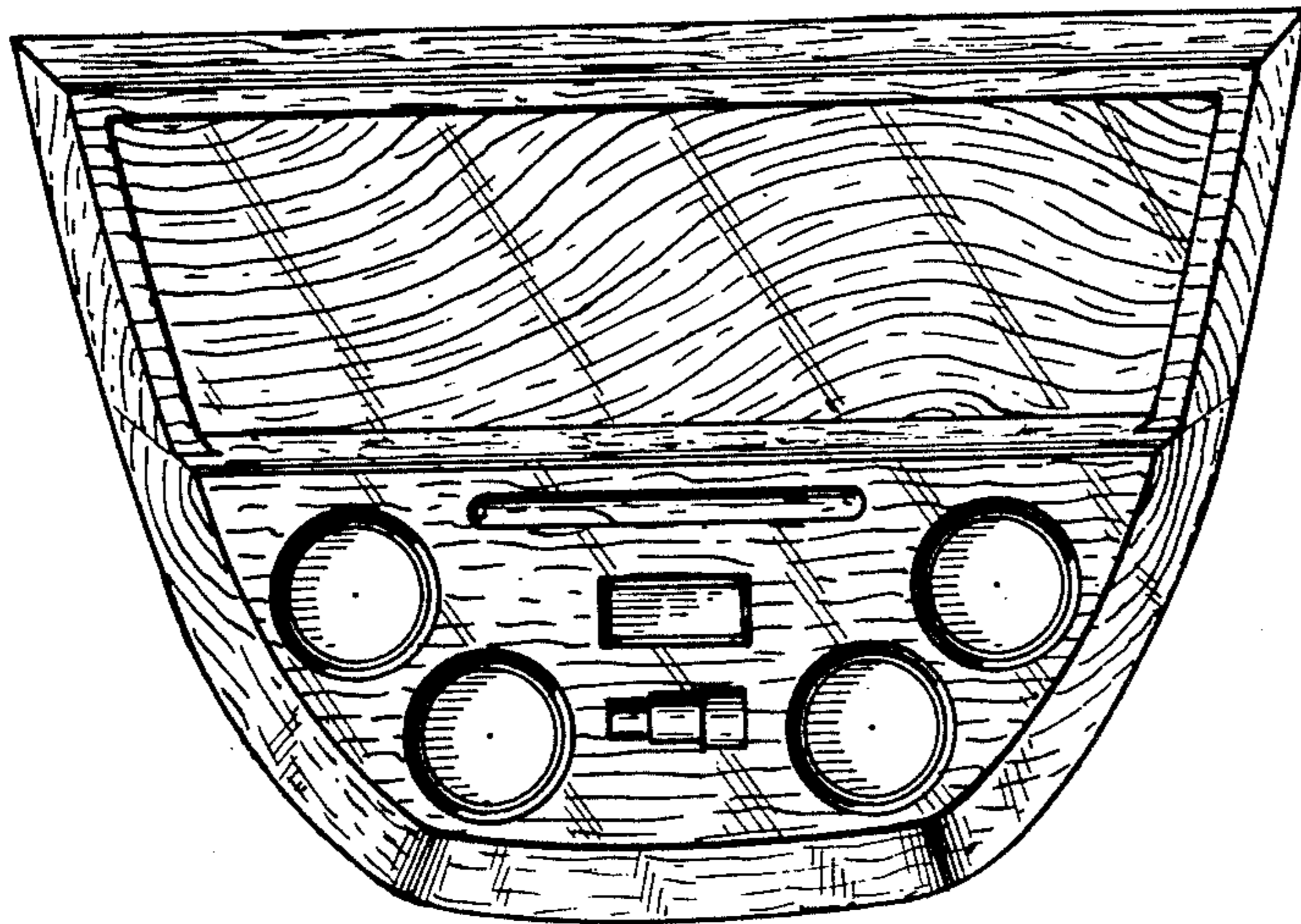
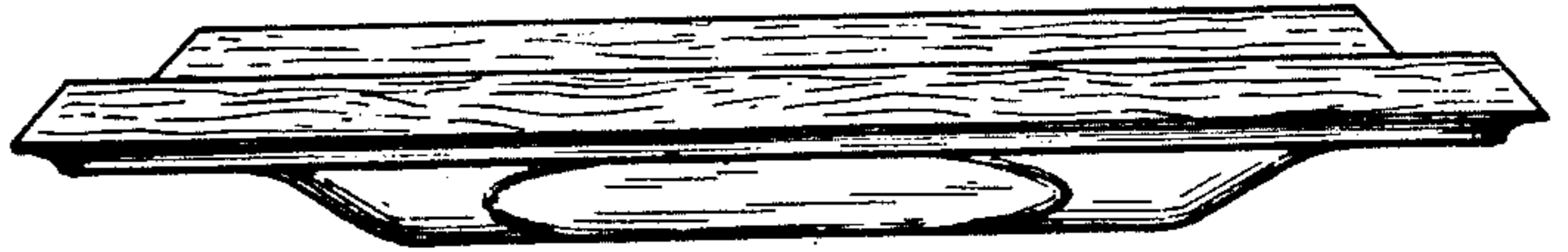


Fig. 5.

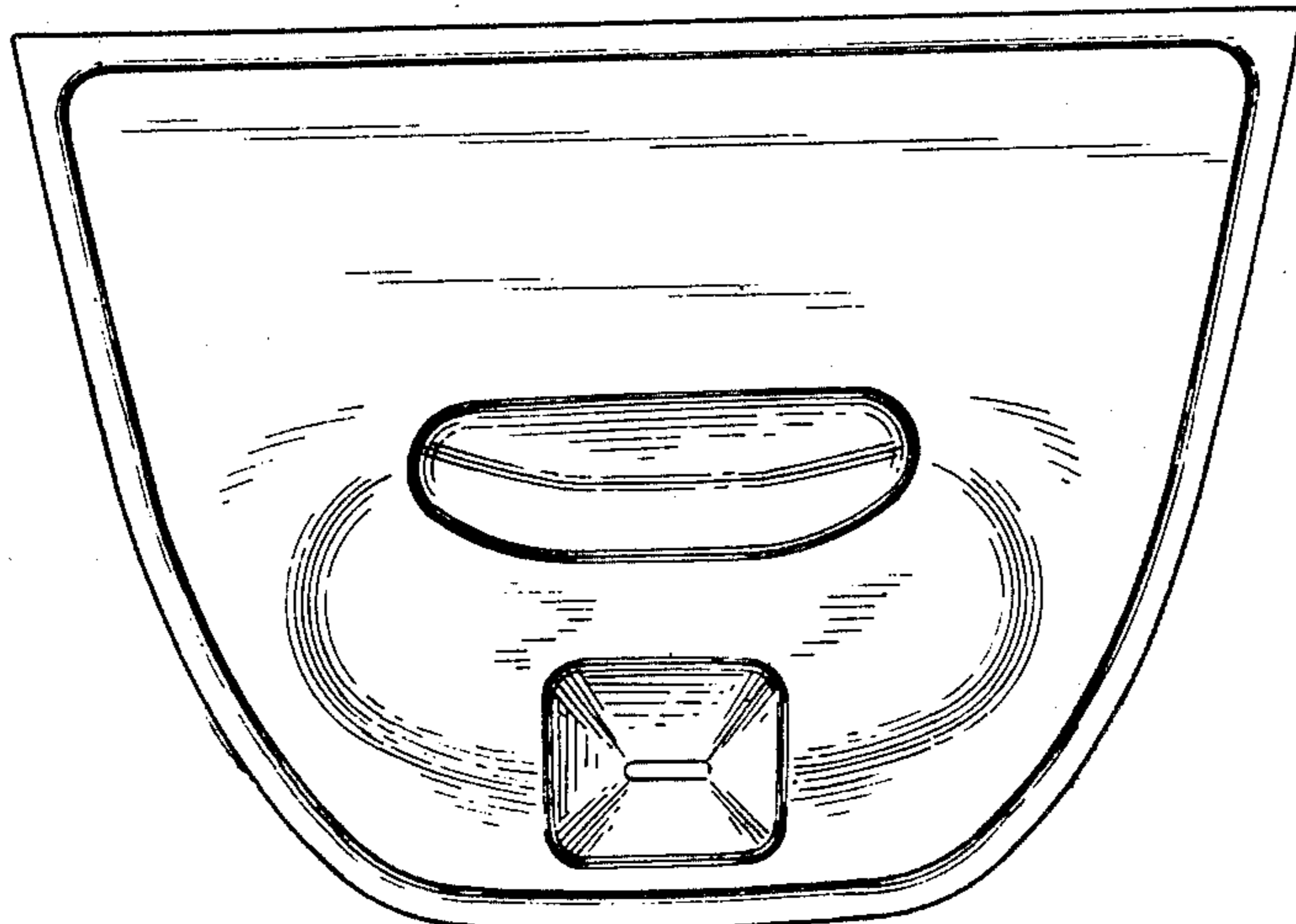


Fig. 6.