

[54] **COMBINED INK ROLLER AND HOLDER THEREFOR**

[75] Inventor: Yo Sato, Tokyo, Japan
[73] Assignee: Kabushiki Kaisha Sato Kenkyusho, Tokyo, Japan
[**] Term: 14 Years
[21] Appl. No.: 767,452
[22] Filed: Feb. 10, 1977

[30] Foreign Application Priority Data
Nov. 26, 1976 [JP] Japan 51-45974

[51] Int. Cl. D18-99
[52] U.S. Cl. D64/10; D64/11 R
[58] Field of Search D16/32; D64/10, 11 R, D64/18; 101/160, 164, 213, 269, 288, 290, 293-295, 338, 323-325, 359; 156/384

[56] **References Cited**
U.S. PATENT DOCUMENTS

100,002 2/1870 Barth 101/359
1,610,696 12/1926 Marshall 101/213

3,236,177 2/1966 Perry, Jr. et al. D64/11 B
3,902,952 9/1975 Penaluna 101/324 X

Primary Examiner—Joel Stearman
Assistant Examiner—Louis S. Zarfes
Attorney, Agent, or Firm—Sidney G. Faber

[57] **CLAIM**

The ornamental design for combined ink roller and holder therefor, as shown and described.

DESCRIPTION

FIG. 1 is a top plan view of a combined ink roller and holder therefor showing my new design; FIG. 2 is a side elevational view of the combined ink roller and holder therefor, it being understood that the opposite side elevational view would be a mirror image; FIG. 3 is a bottom plan view of the combined ink roller and holder therefor; FIG. 4 is a front elevational view of the combined ink roller and holder therefor; FIG. 5 is a rear elevational view of the combined ink roller and holder therefor; and FIG. 6 is a perspective view of the combined ink roller and holder therefor.

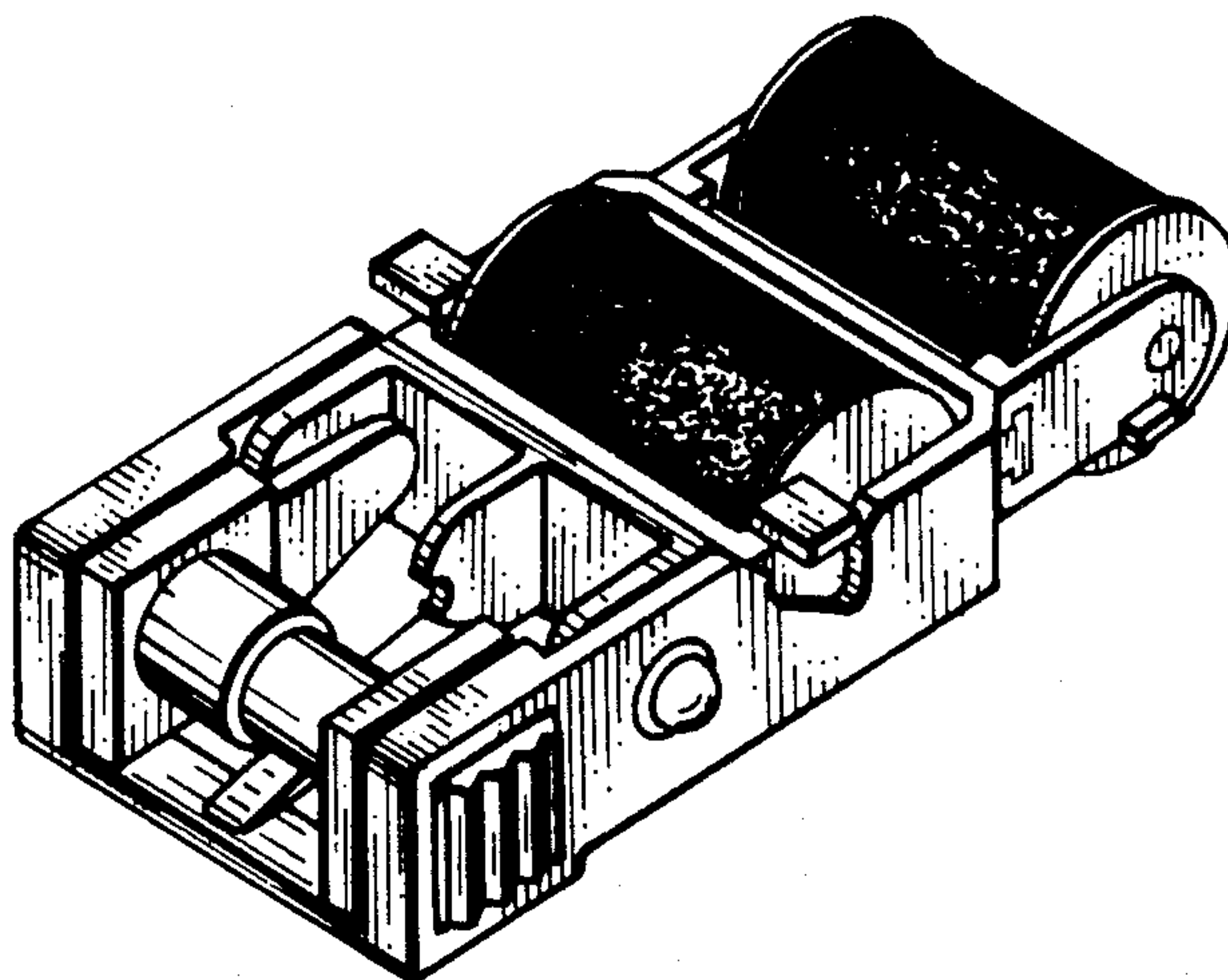


FIG. 1

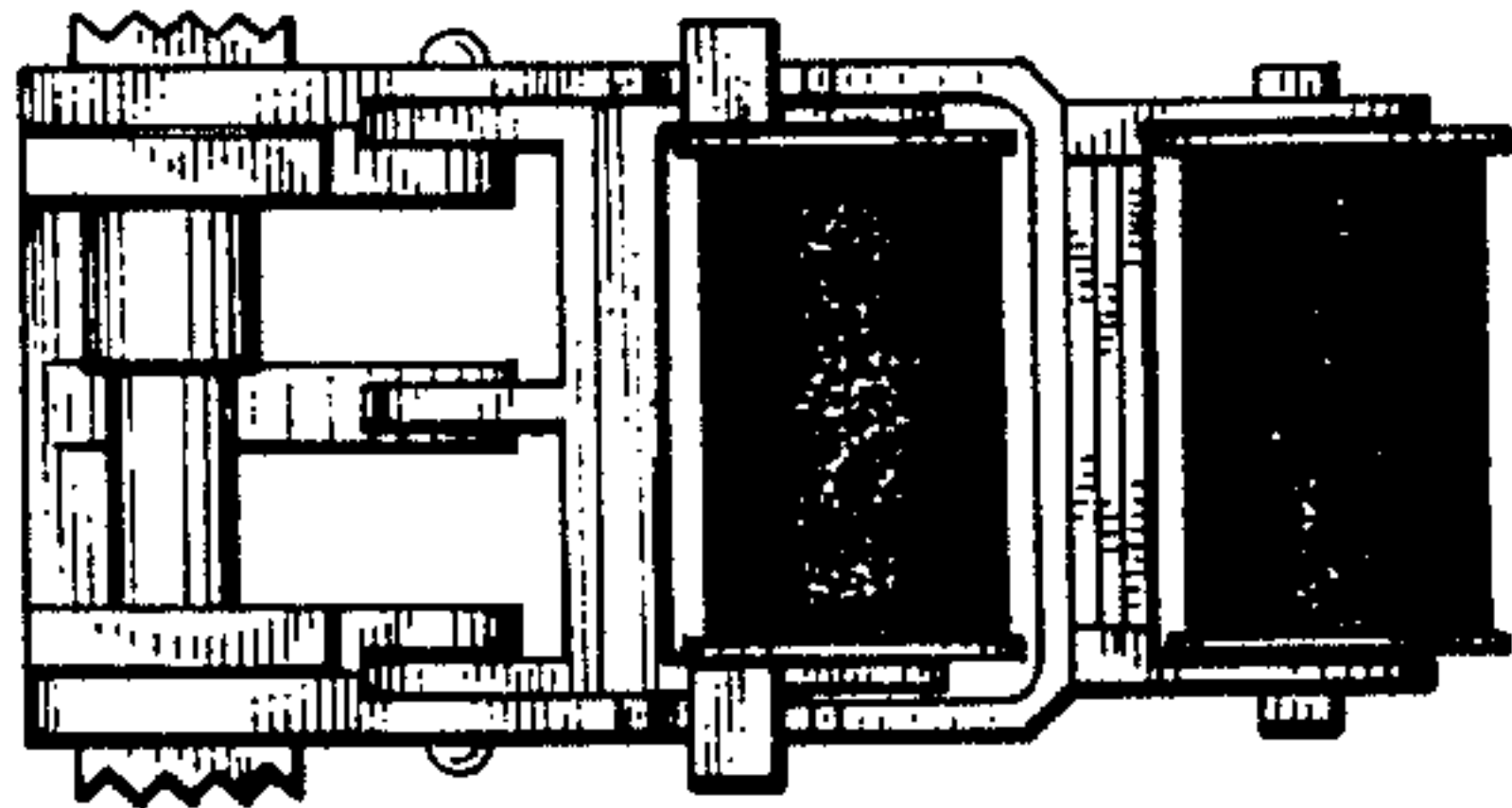


FIG. 4



FIG. 2

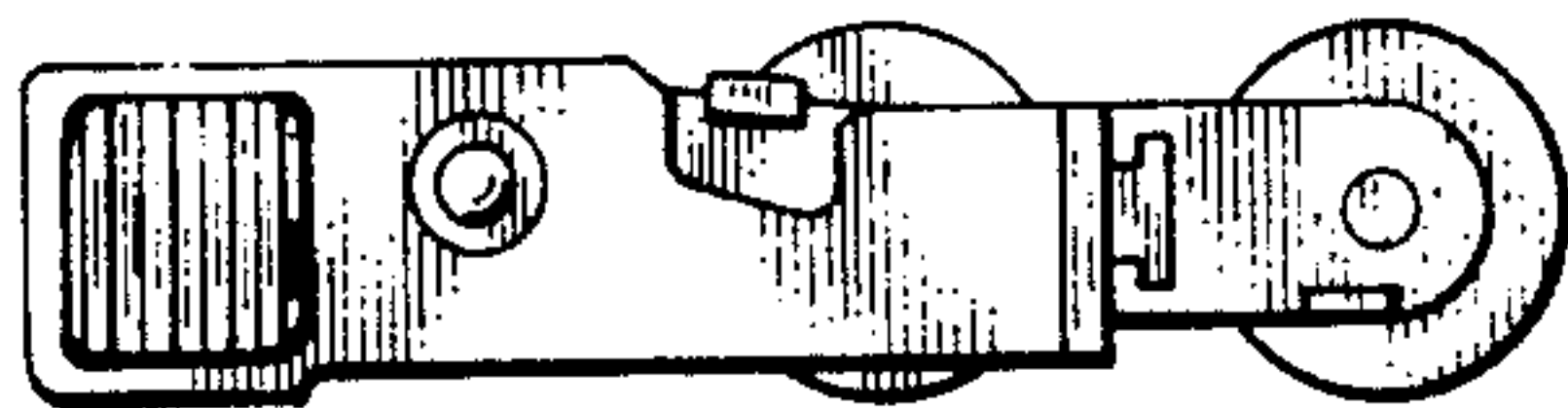


FIG. 5



FIG. 3

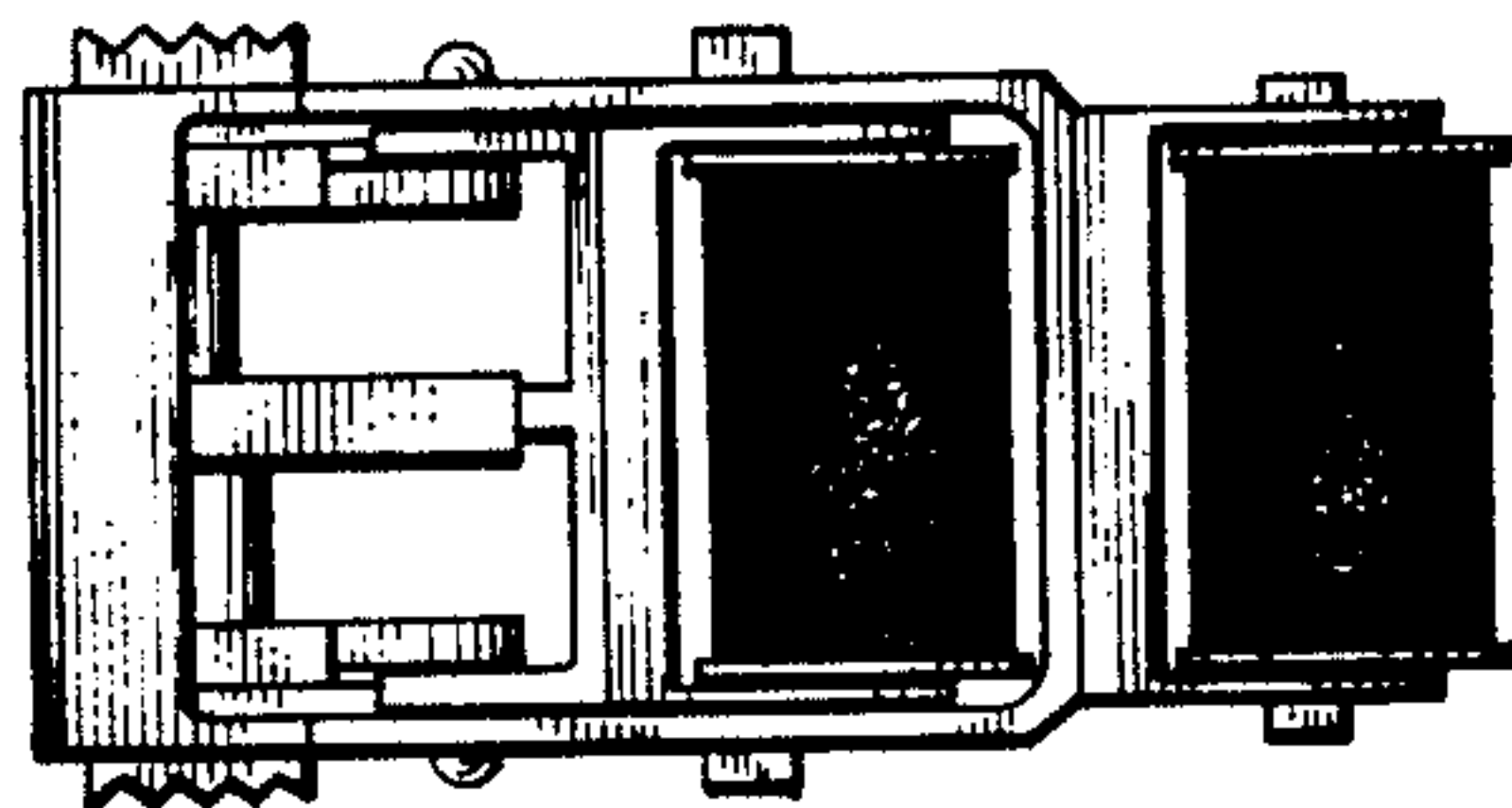


FIG. 6

