

[54] HAND OPERATED LABELING MACHINE

[75] Inventor: Yo Sato, Tokyo, Japan  
[73] Assignee: Kabushiki Kaisha Sato Kenkyusho, Tokyo, Japan  
[\*\*] Term: 14 Years  
[21] Appl. No.: 765,916  
[22] Filed: Feb. 7, 1977

[30] Foreign Application Priority Data  
Aug. 12, 1976 [JP] Japan ..... 51-31446  
[51] Int. Cl. .... D18-99  
[52] U.S. Cl. .... D64/10  
[58] Field of Search ..... D64/10, 11 R; 101/288; 156/DIG. 48, DIG. 49, 384

[56] References Cited

U.S. PATENT DOCUMENTS

D. 237,746 11/1975 Sato ..... D64/10  
3,551,251 12/1970 Sato et al. .... 156/384  
4,041,863 8/1977 Mullen et al. .... D64/10 X

OTHER PUBLICATIONS

*Hardware Age*, 9/1/1969, p. 49 — Dymo Precision Pricer.  
*Gifts & Decorative Accessories*, 7/1973, p. 268 — Pricers at bottom center.  
*Primary Examiner*—Joel Stearman  
*Assistant Examiner*—Louis S. Zarfes  
*Attorney, Agent, or Firm*—Sidney G. Faber

[57] CLAIM

The ornamental design for a hand operated labeling machine, as shown.

DESCRIPTION

FIG. 1 is a front elevational view of a hand operated labeling machine showing my new design; FIG. 2 is a rear elevational view thereof; FIG. 3 is a top plan view thereof; FIG. 4 is a bottom plan view thereof; FIG. 5 is a side elevational view thereof; FIG. 6 is the opposite side elevational view thereof; and FIG. 7 is a perspective view thereof.

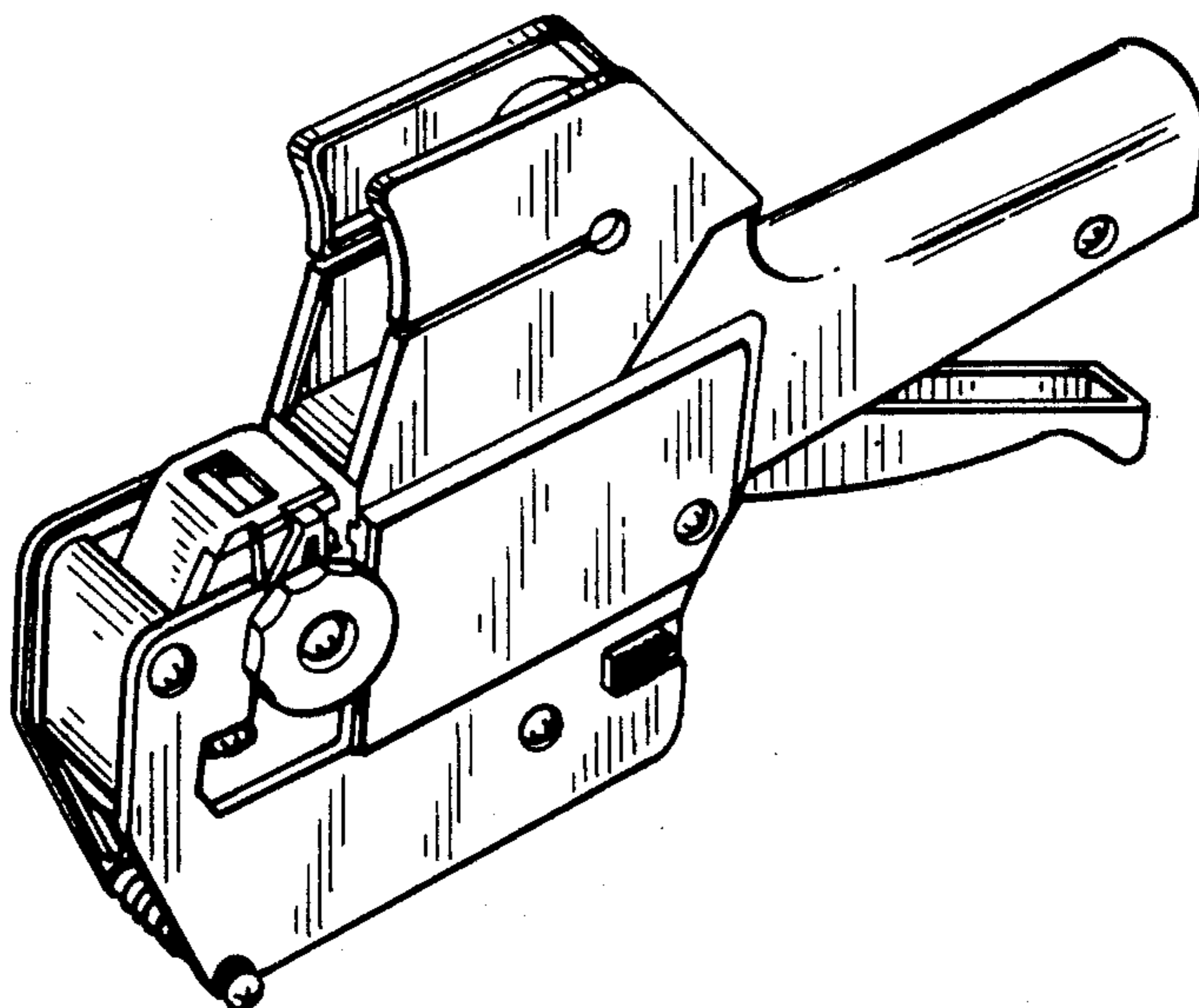


FIG. 1

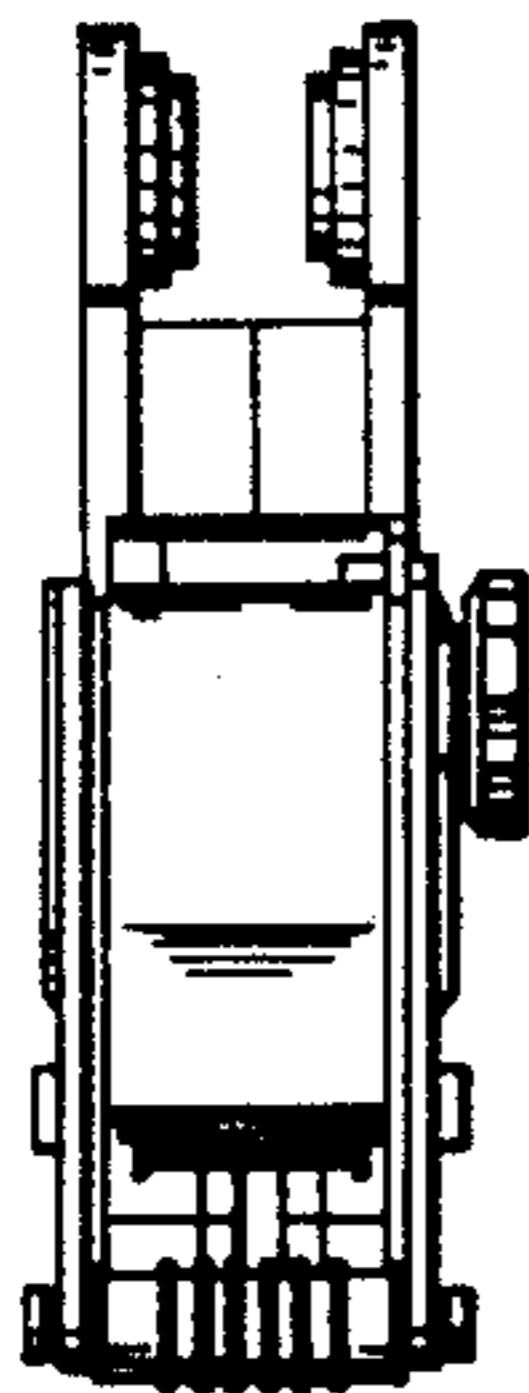


FIG. 2

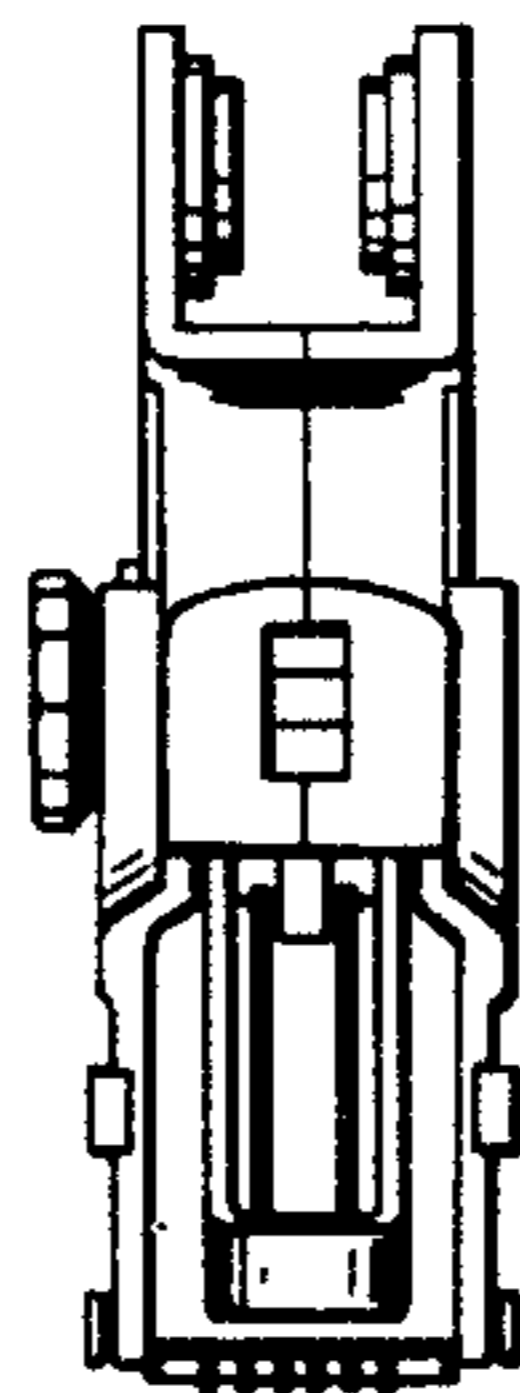


FIG. 3

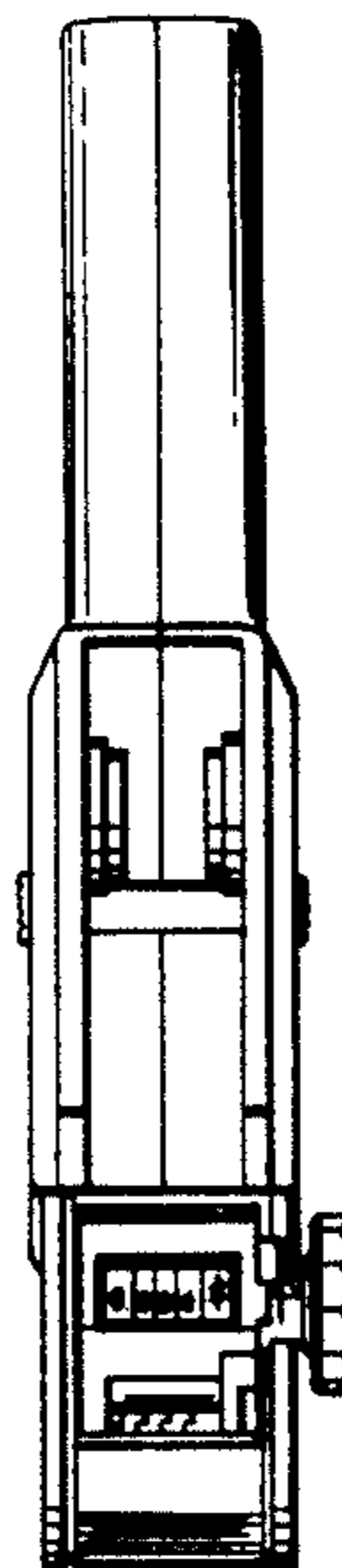


FIG. 4

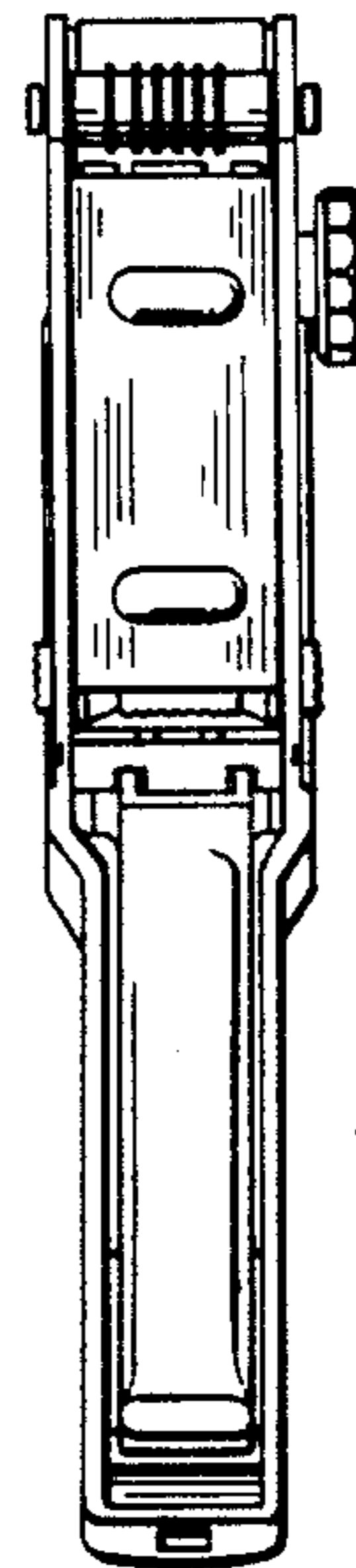


FIG. 5

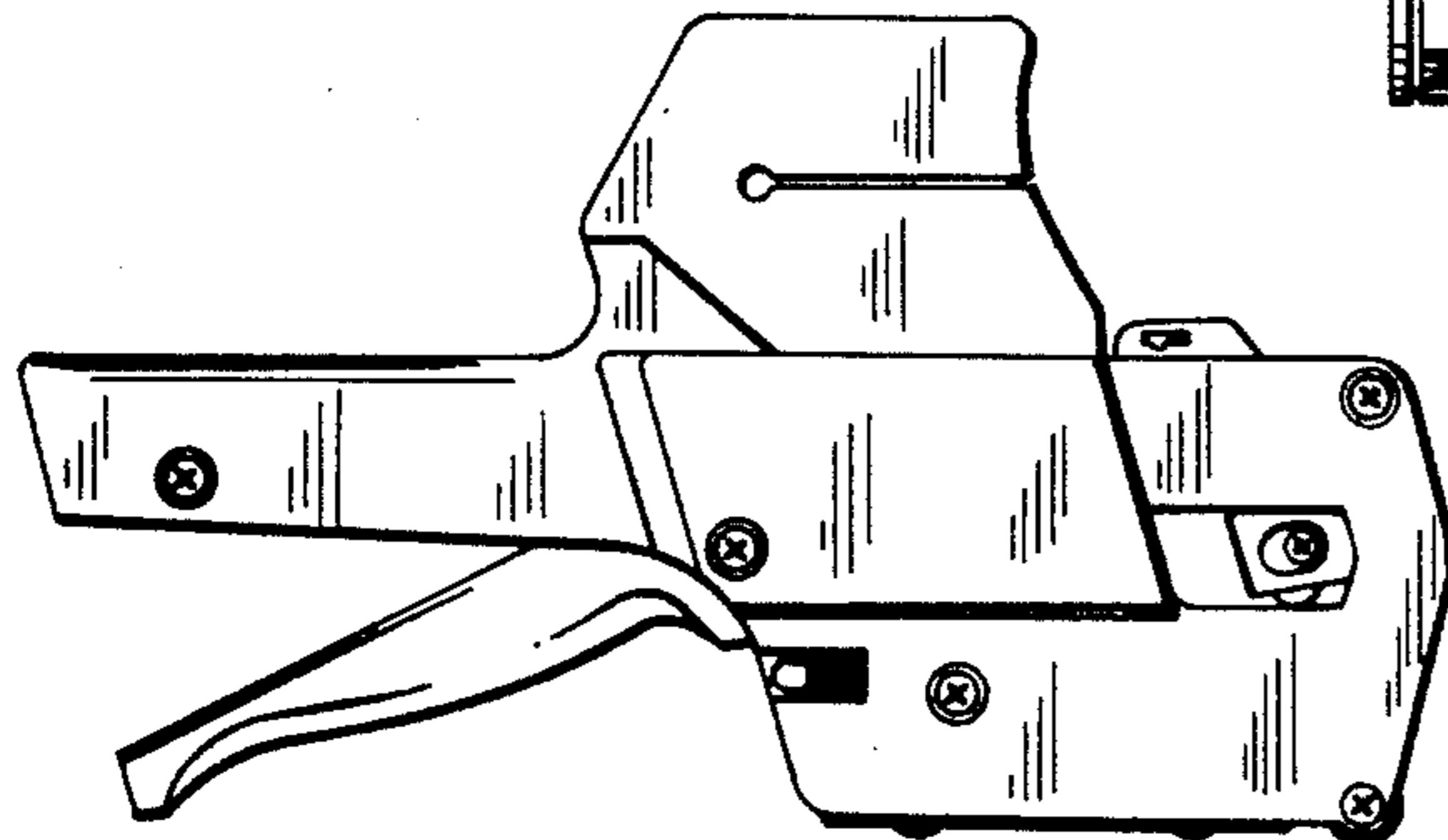


FIG. 6

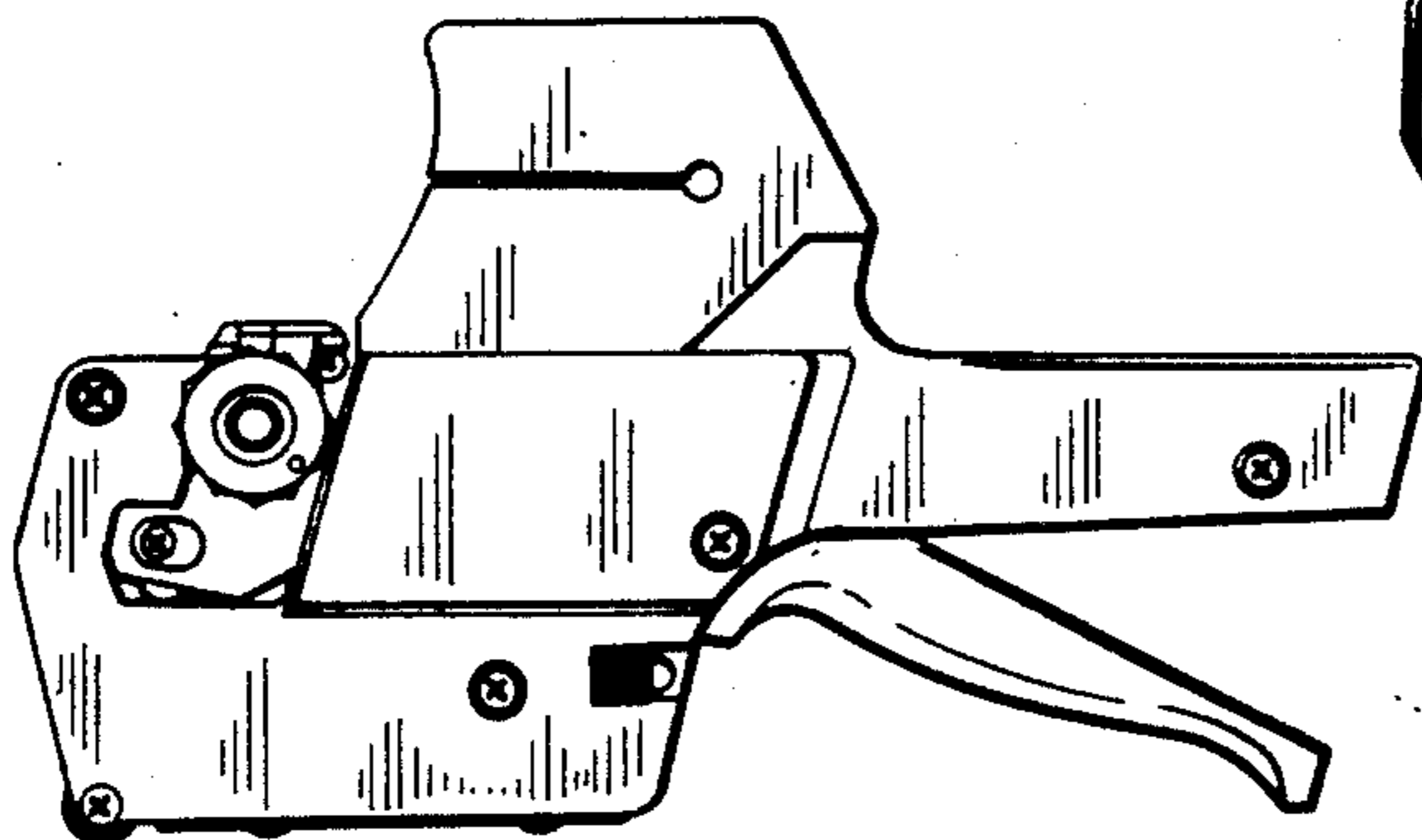


FIG. 7

