

[54] ELEMENT OF FLEXIBLE TOY TRACK

[75] Inventor: John Henry Heim, Barrington, R.I.

[73] Assignee: Hasbro Development Corp., Pawtucket, R.I.

[\*\*] Term: 14 Years

[21] Appl. No.: 756,476

[22] Filed: Jan. 3, 1977

[51] Int. Cl. .... D21-01

[52] U.S. Cl. .... D34/15 K; D34/15 MM

[58] Field of Search ..... D34/15 K, 15 R, 15 MM; 46/216, 202, 43, 1 K; 104/60

[56] References Cited

U.S. PATENT DOCUMENTS

D. 192,368 3/1962 Genin et al. .... D34/15 MM

D. 195,679 7/1963 Genin et al. .... D34/15 MM  
3,690,031 9/1972 Shinoda ..... 46/1 K  
3,998,460 12/1976 Dyer ..... 46/202

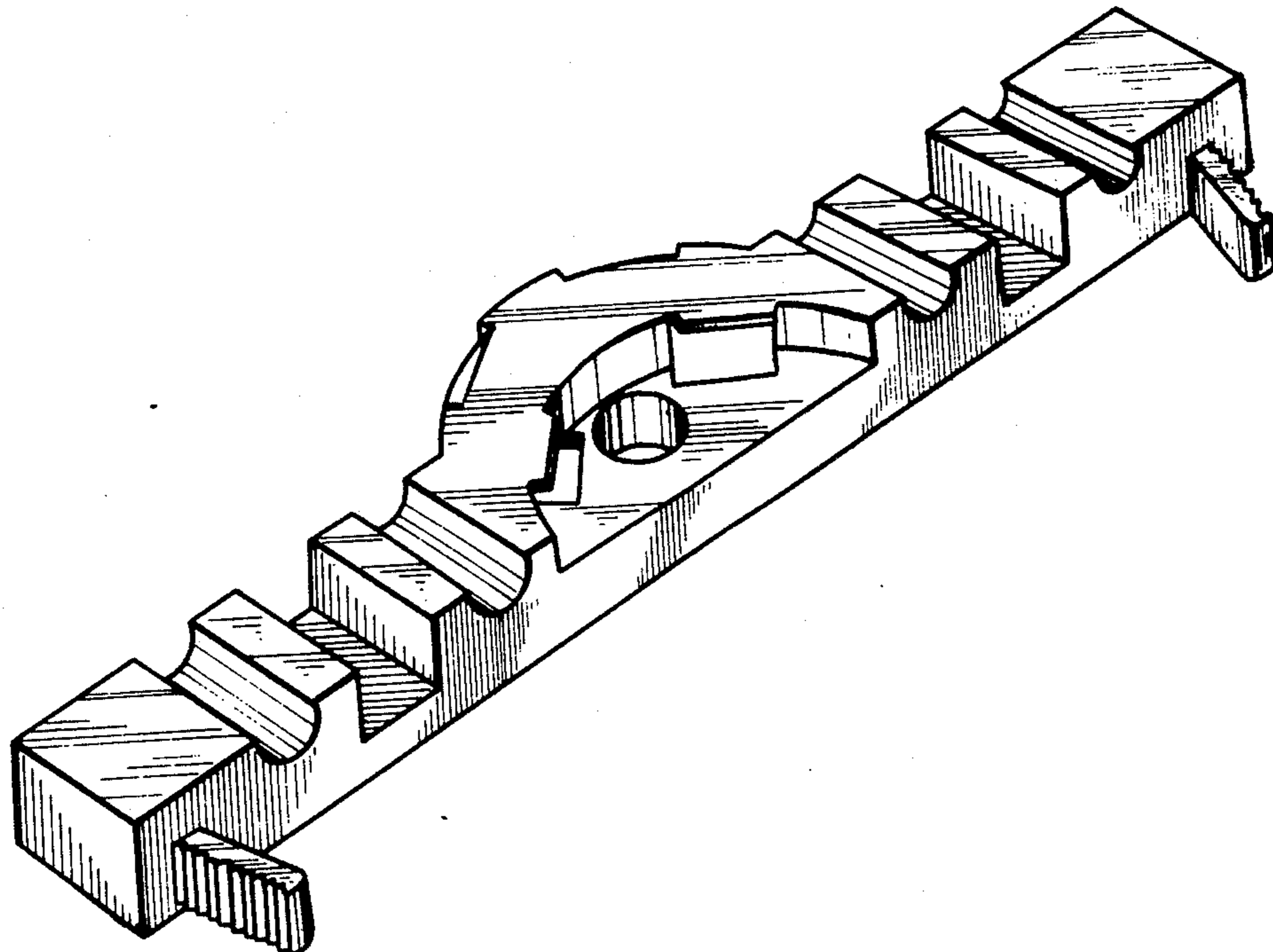
Primary Examiner—Joel Stearman  
Assistant Examiner—C. A. Rademaker  
Attorney, Agent, or Firm—Elliot A. Salter

[57] CLAIM

The ornamental design for element for flexible toy track, substantially as shown.

DESCRIPTION

FIG. 1 is a perspective view of an element of a flexible toy track showing my new design; FIG. 2 is a perspective view of the rear side thereof; FIG. 3 is a top plan view thereof; FIG. 4 is a bottom plan view thereof; FIG. 5 is a front elevational view thereof; and FIG. 6 is an end elevational view thereof.



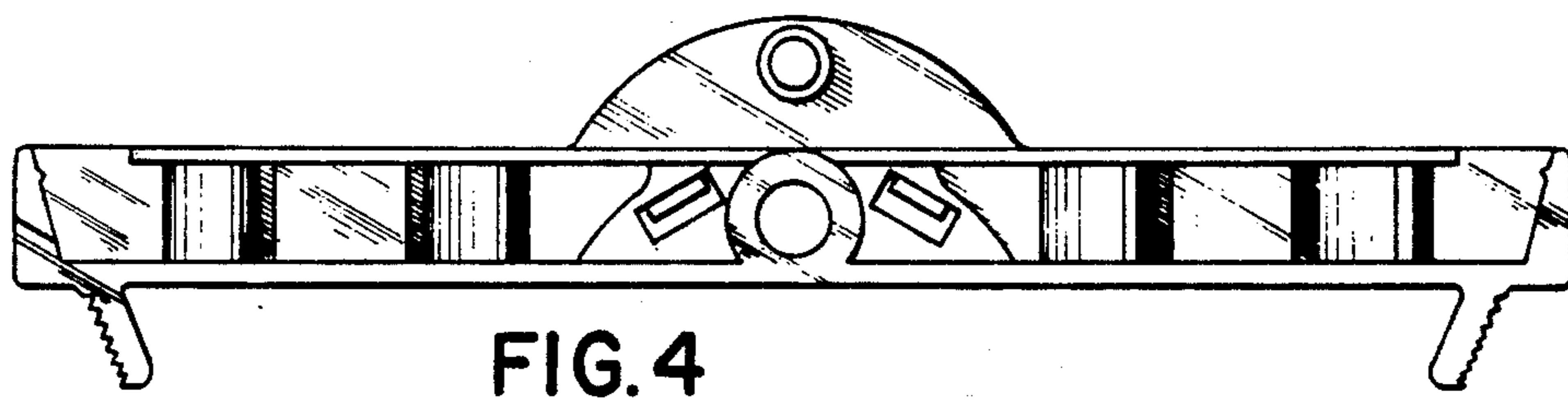
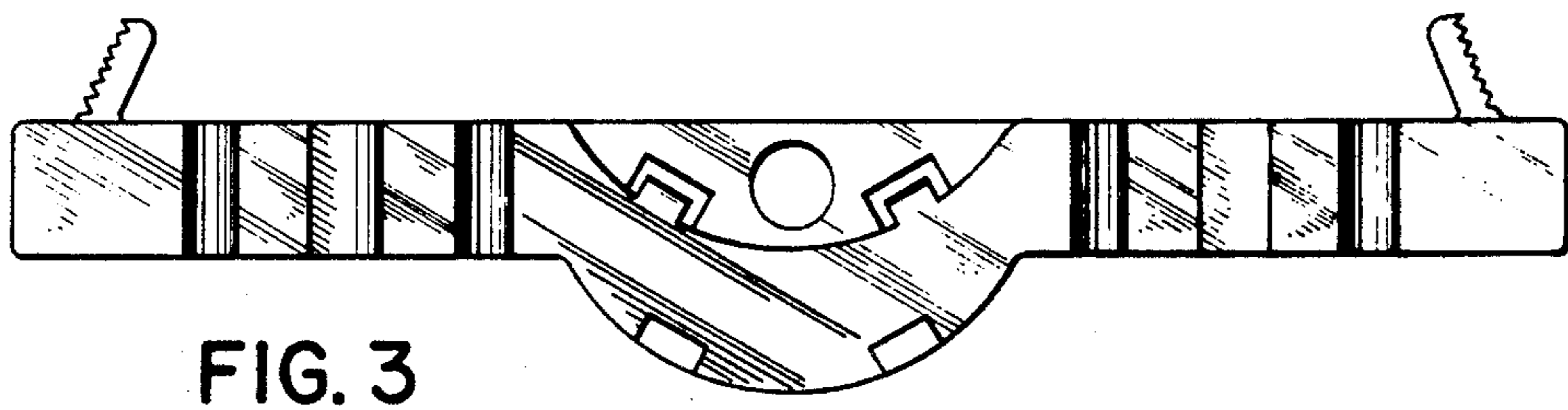
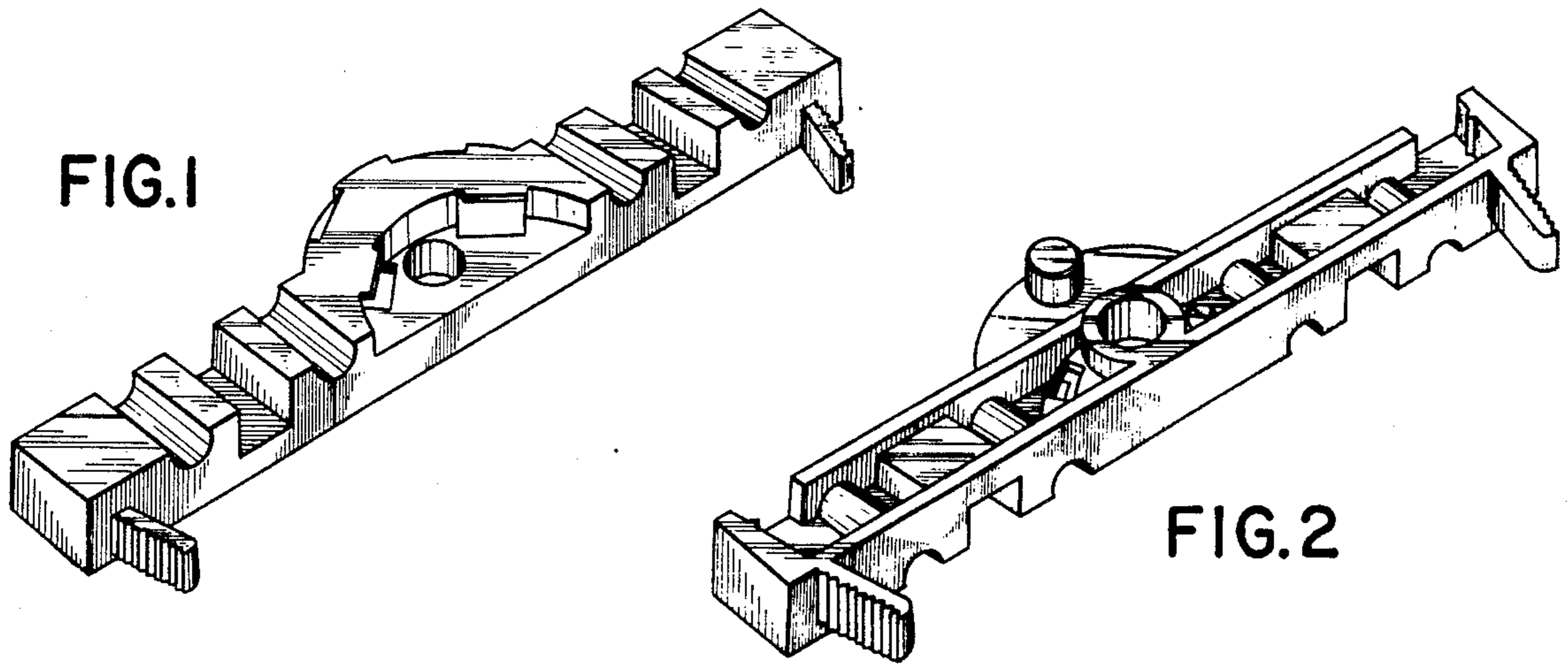


FIG. 6