

[54] BLOOD WARMING APPARATUS

[76] Inventors: Daniel B. Granzow, Jr., 503 W. Cedar St., Arlington Heights, Ill. 60005; Robert J. Froehlich, 210 S. Louis St., Mount Prospect, Ill. 60056

[**] Term: 14 Years

[21] Appl. No.: 761,923

[22] Filed: Jan. 24, 1977

[51] Int. Cl. D24-02

[52] U.S. Cl. D24/8

[58] Field of Search 128/400, 303.1, 214; D24/8, 21, 31

[56] References Cited

U.S. PATENT DOCUMENTS

- D. 207,688 3/1967 Drexler et al. D24/31
- D. 222,195 10/1971 Hultberg D24/8

- 2,103,371 12/1937 Kleckner 128/400 X
- 3,504,674 4/1970 Swenson et al. 128/400 X
- 3,894,213 7/1975 Agarwala 128/400

Primary Examiner—Bernard Ansher
Attorney, Agent, or Firm—Henry W. Collins

[57] CLAIM

The ornamental design for a blood warming apparatus, as shown and described.

DESCRIPTION

FIG. 1 is a front perspective view of a blood warming apparatus showing our new design.
 FIG. 2 is a rear perspective view thereof.
 FIG. 3 is a top plan view thereof.
 FIG. 4 is a front perspective view with the door in an open position;
 FIG. 5 is a right side elevational view thereof.
 FIG. 6 is a front elevational view thereof.
 FIG. 7 is a rear elevational view thereof.

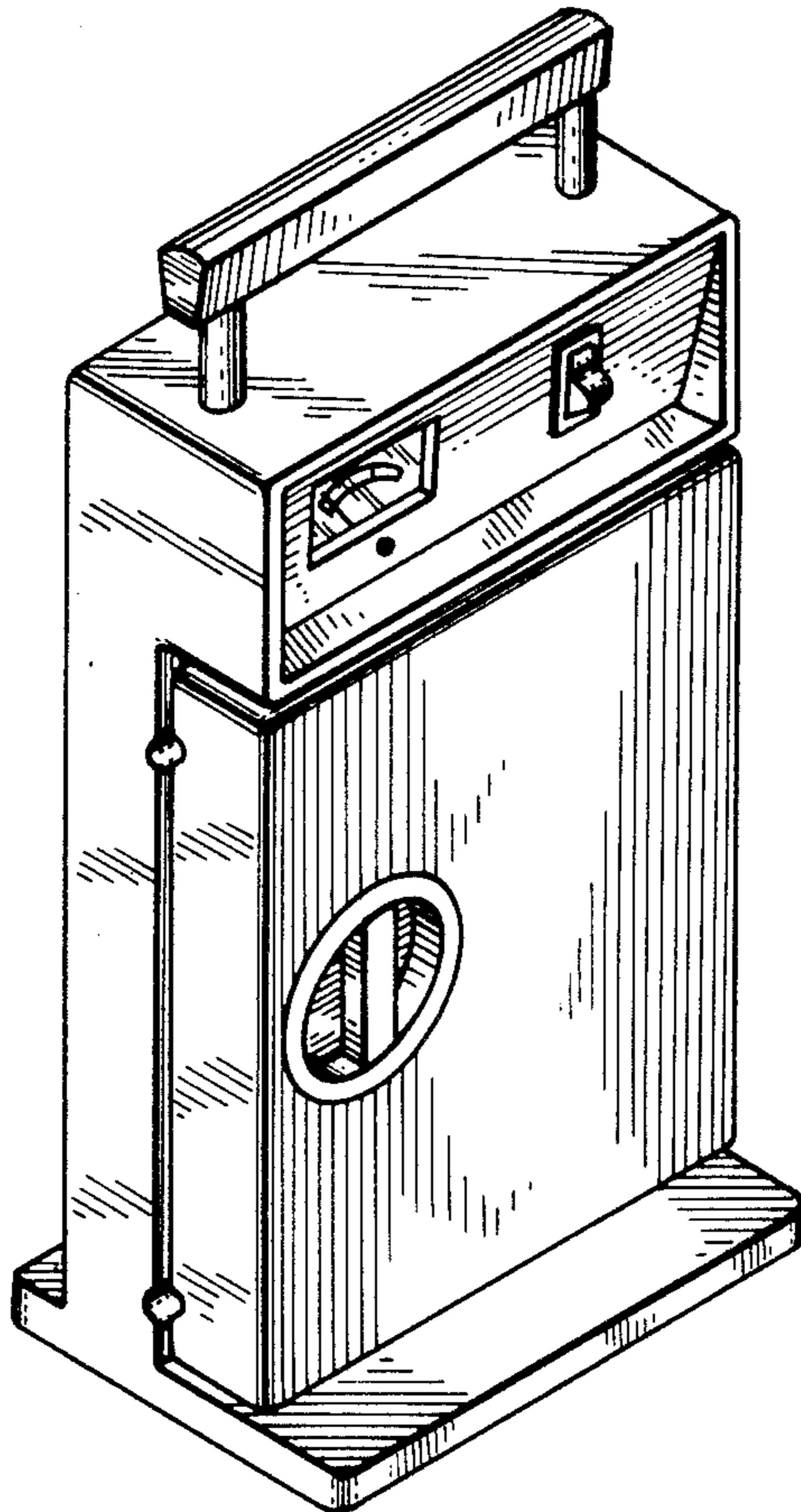


FIG. 1

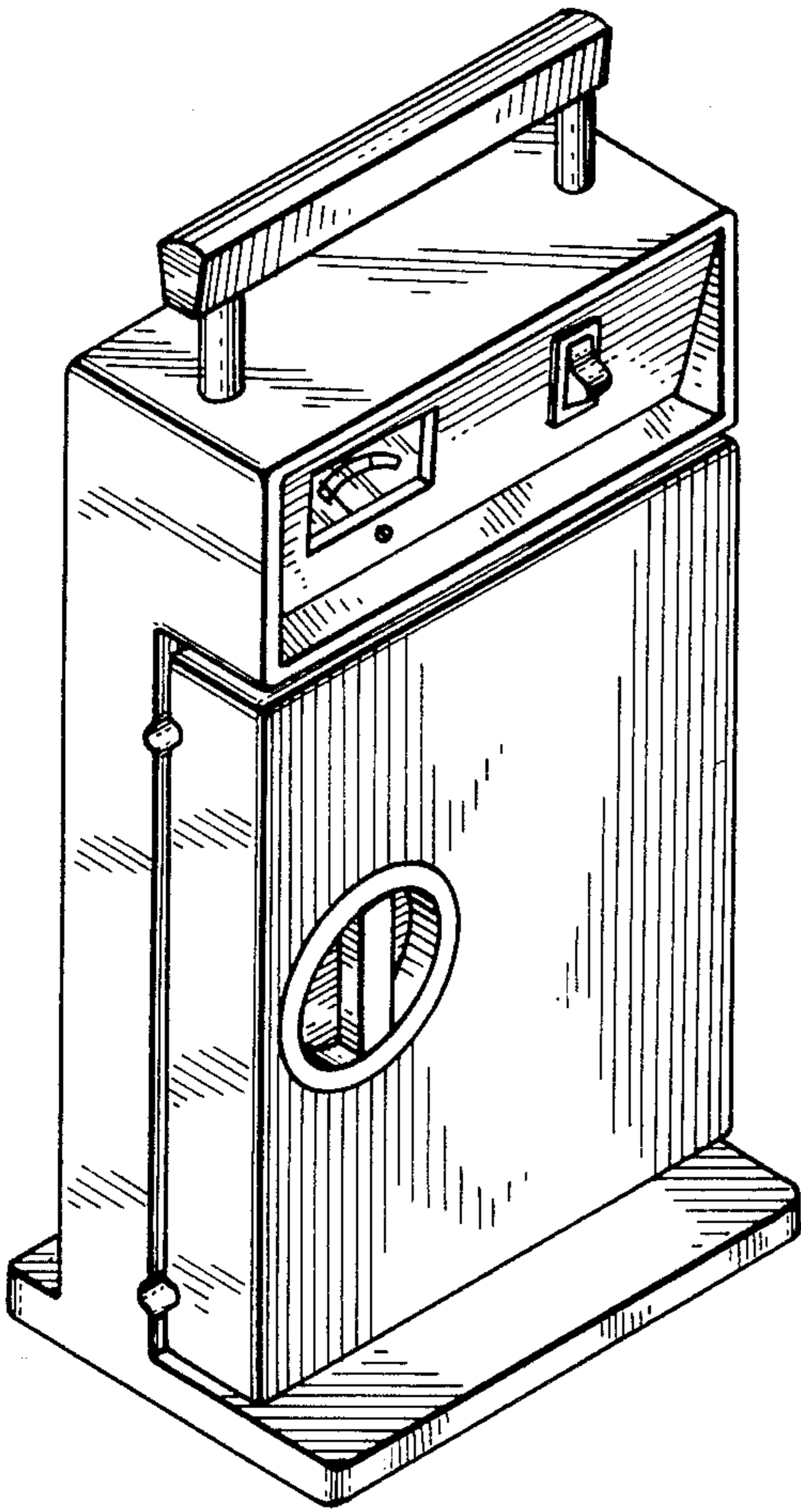


FIG. 2

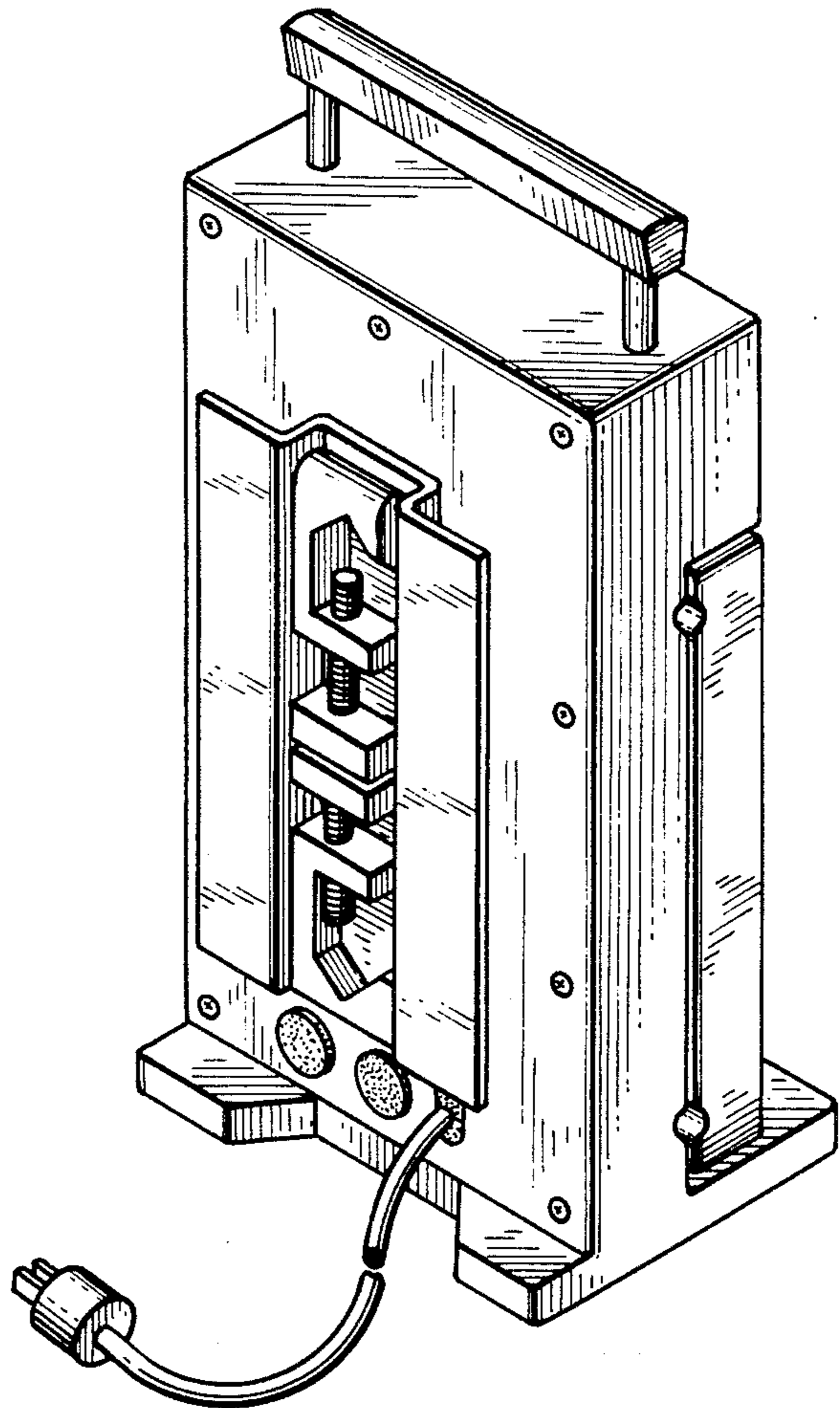


FIG. 3

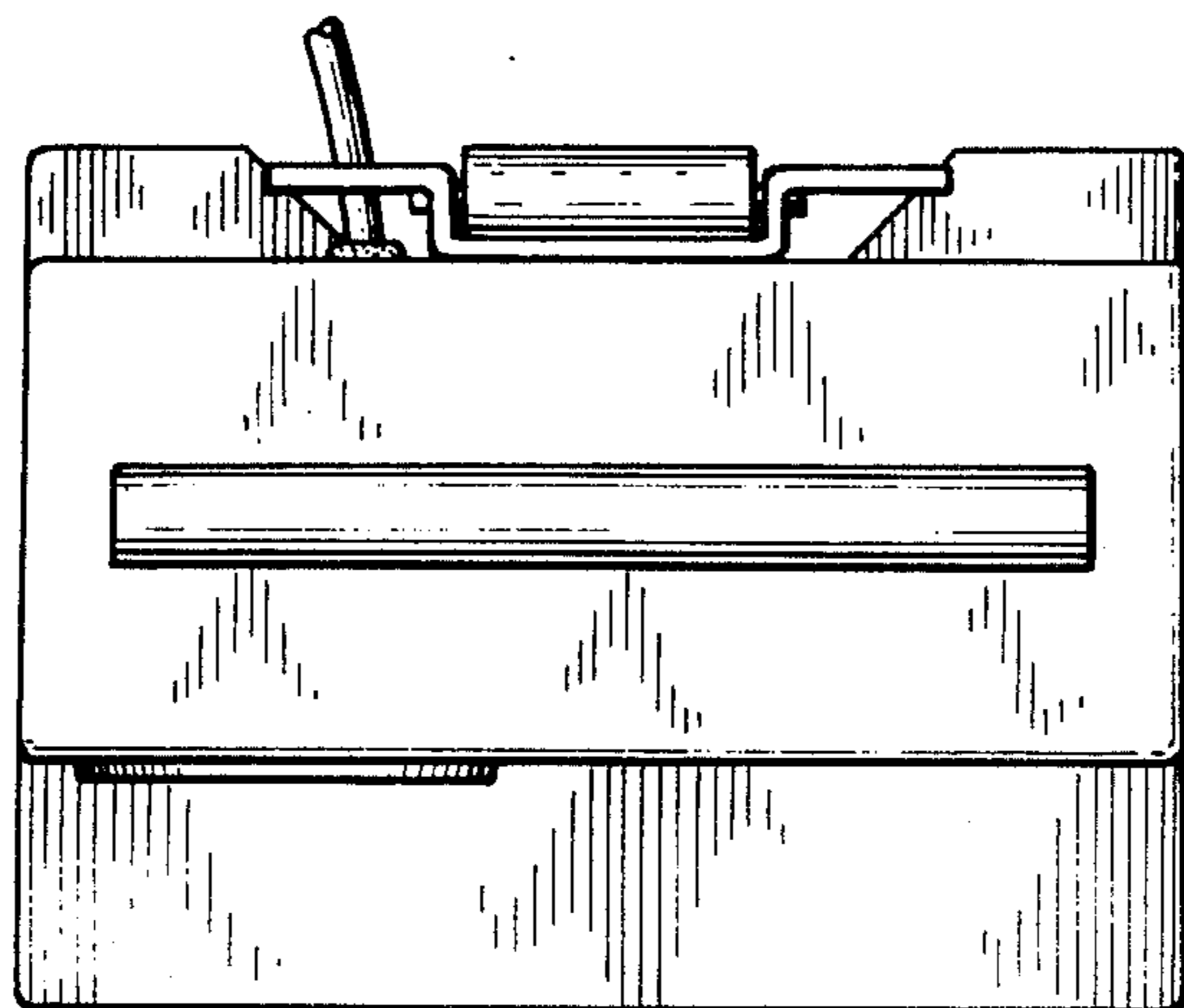


FIG. 4

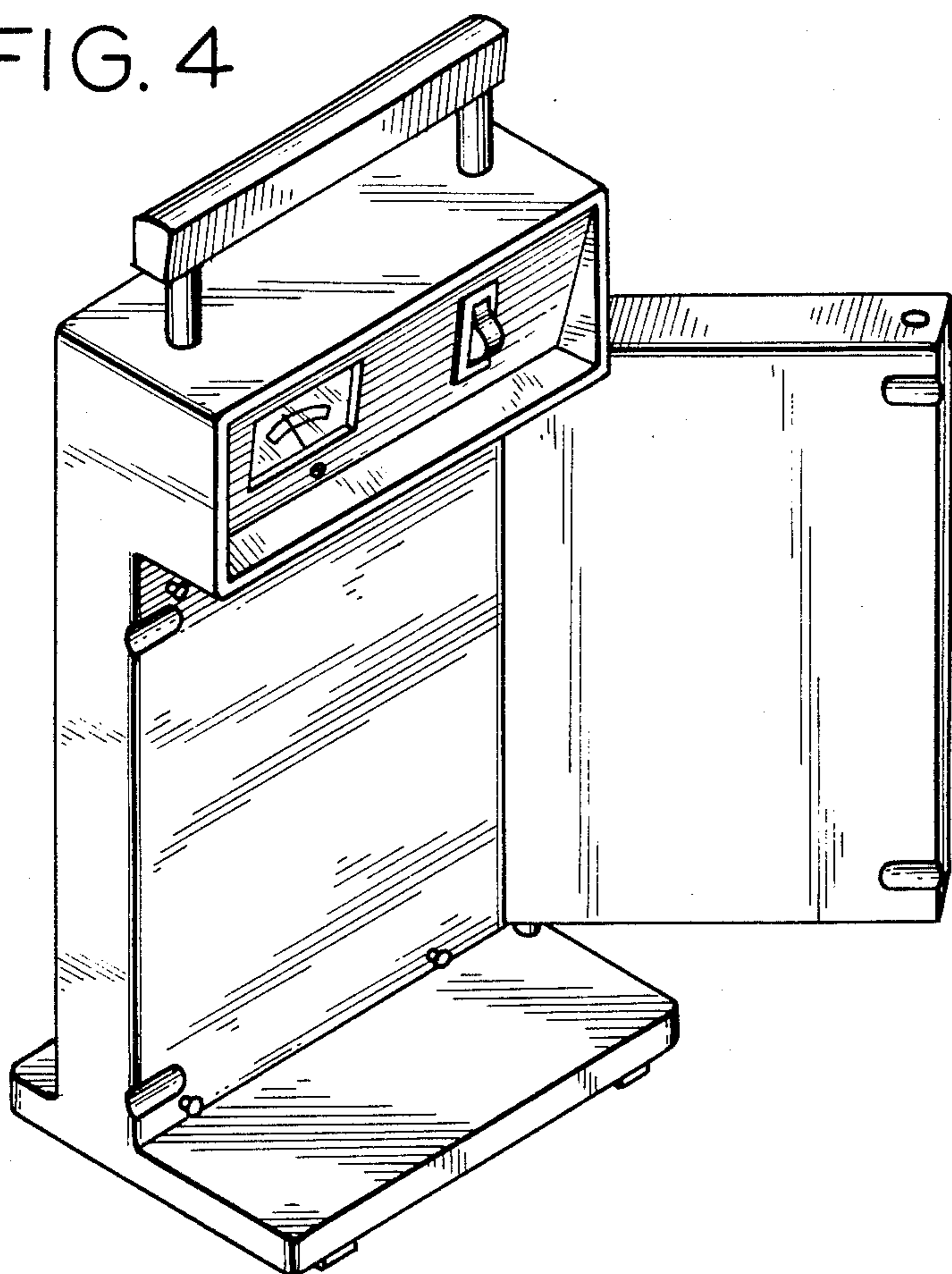


FIG. 5

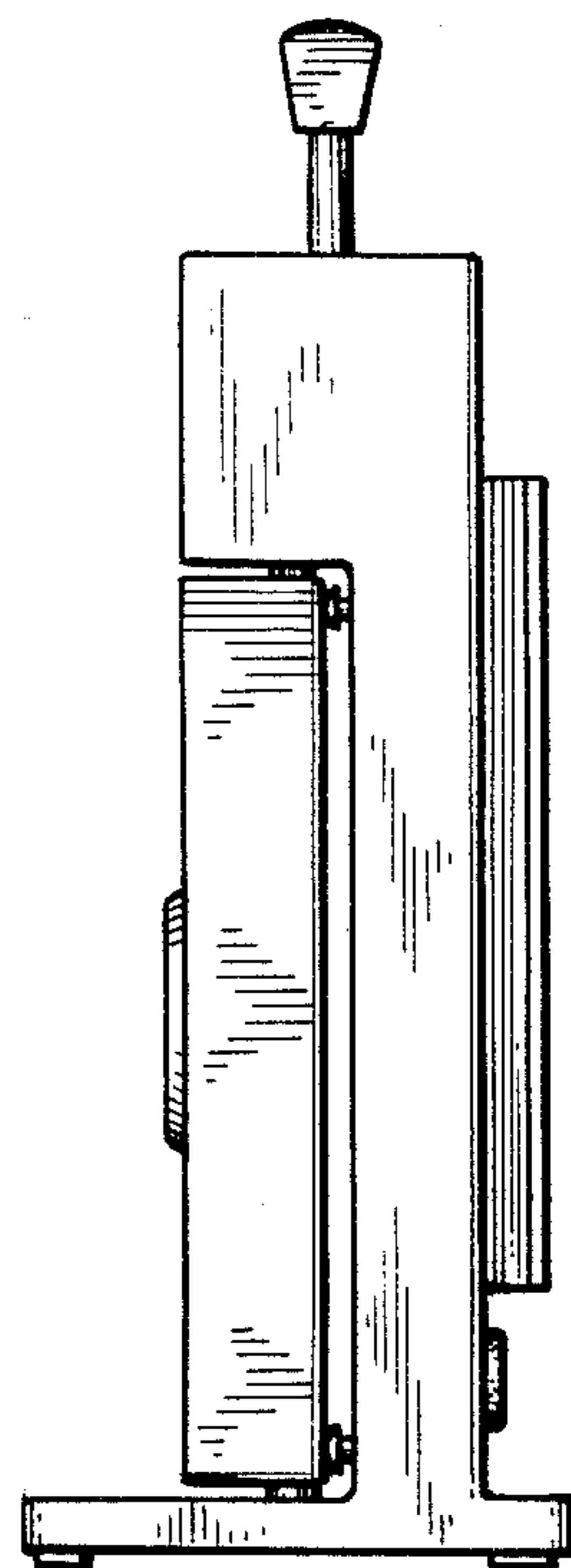


FIG. 6

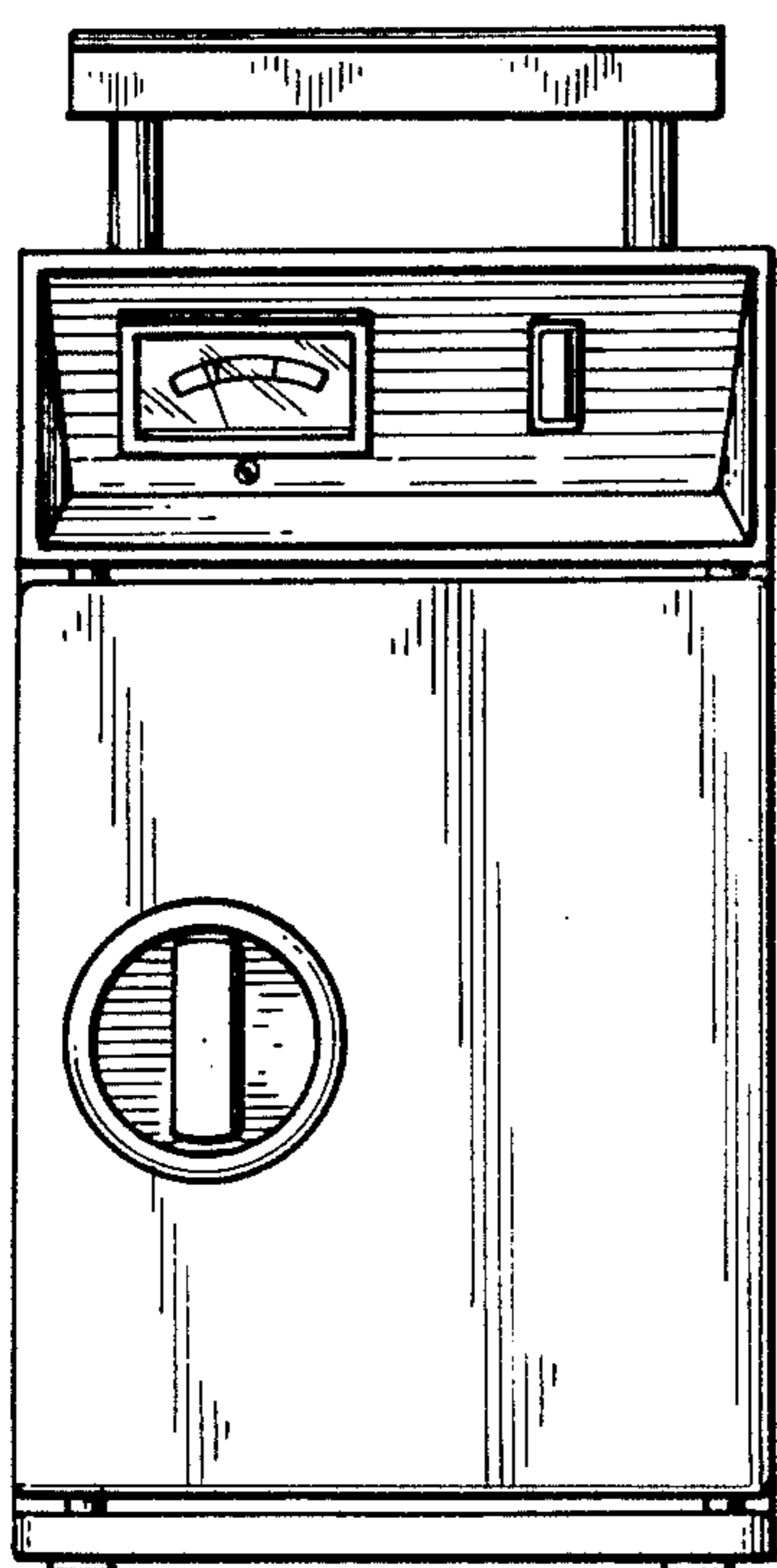


FIG. 7

