

[54] THERAPEUTIC TABLE

[75] Inventor: Alfred C. Shine, North Hollywood, Calif.

[73] Assignee: Daniel J. Clinton, Hollywood, Calif.

[**] Term: 14 Years

[21] Appl. No.: 741,305

[22] Filed: Nov. 12, 1976

[51] Int. Cl. D24-01; D6-01

[52] U.S. Cl. D24/3; D6/22; 128/70

[58] Field of Search 5/60, 67; 269/322, 328; D6/22; 128/33, 70; D24/3

[56] References Cited

U.S. PATENT DOCUMENTS

D. 219,493 12/1970 Hennessee D24/3

D. 239,790	5/1976	Webb	D6/22
2,926,660	3/1960	Thompson	128/70
3,042,025	7/1962	Jackson	128/70 X
3,638,646	2/1972	Draux	128/33
3,821,952	7/1974	Binegar	128/70

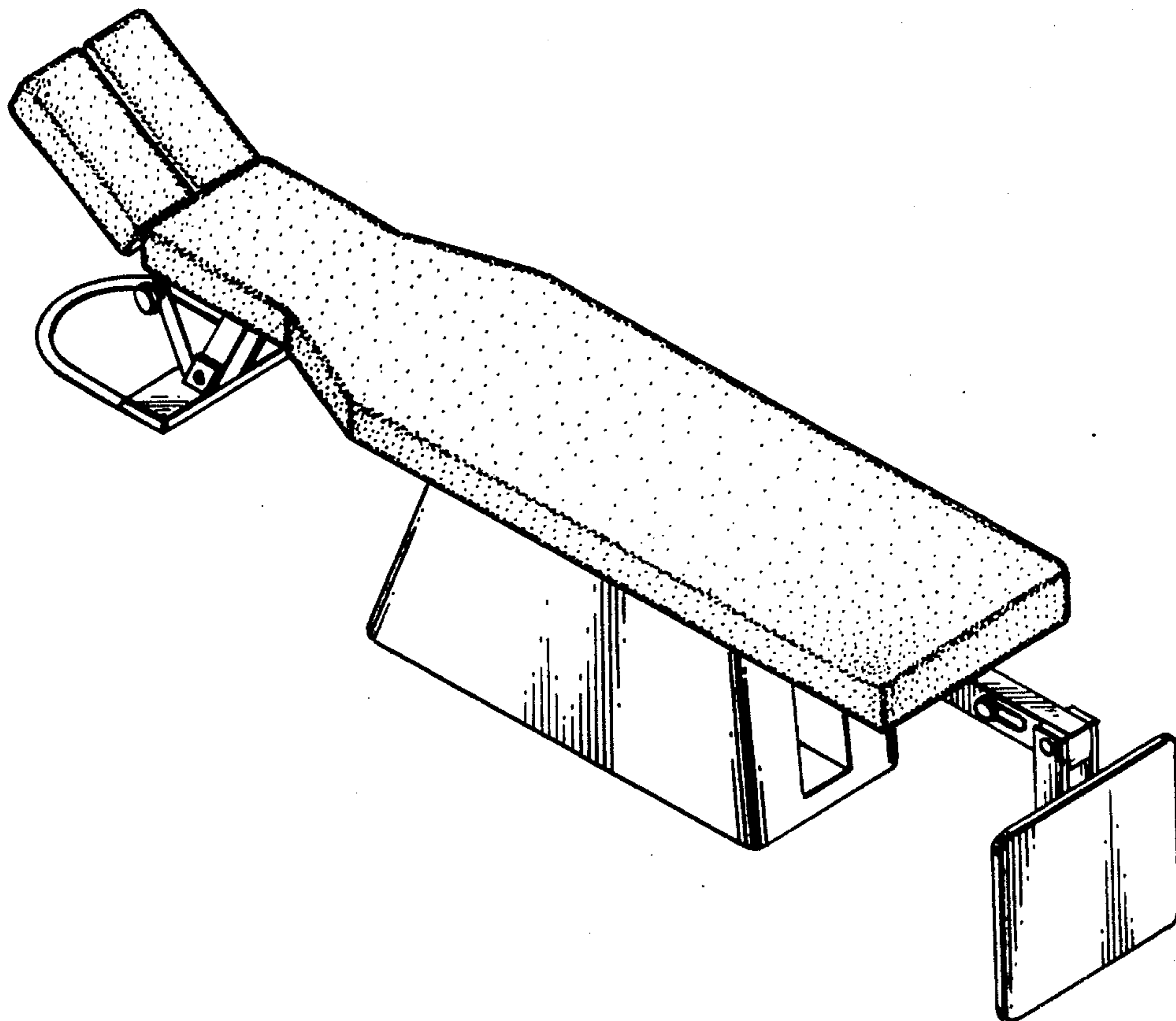
Primary Examiner—Bernard Ansher
Attorney, Agent, or Firm—Marvin E. Jacobs

[57] CLAIM

The ornamental design for a therapeutic table, substantially as shown.

DESCRIPTION

FIG. 1 is a top perspective view of a therapeutic table showing my new design;
FIG. 2 is a left side elevation thereof;
FIG. 3 is a bottom plan view thereof;
FIG. 4 is an end elevation thereof; and
FIG. 5 is an elevation as seen from the end opposite FIG. 4.



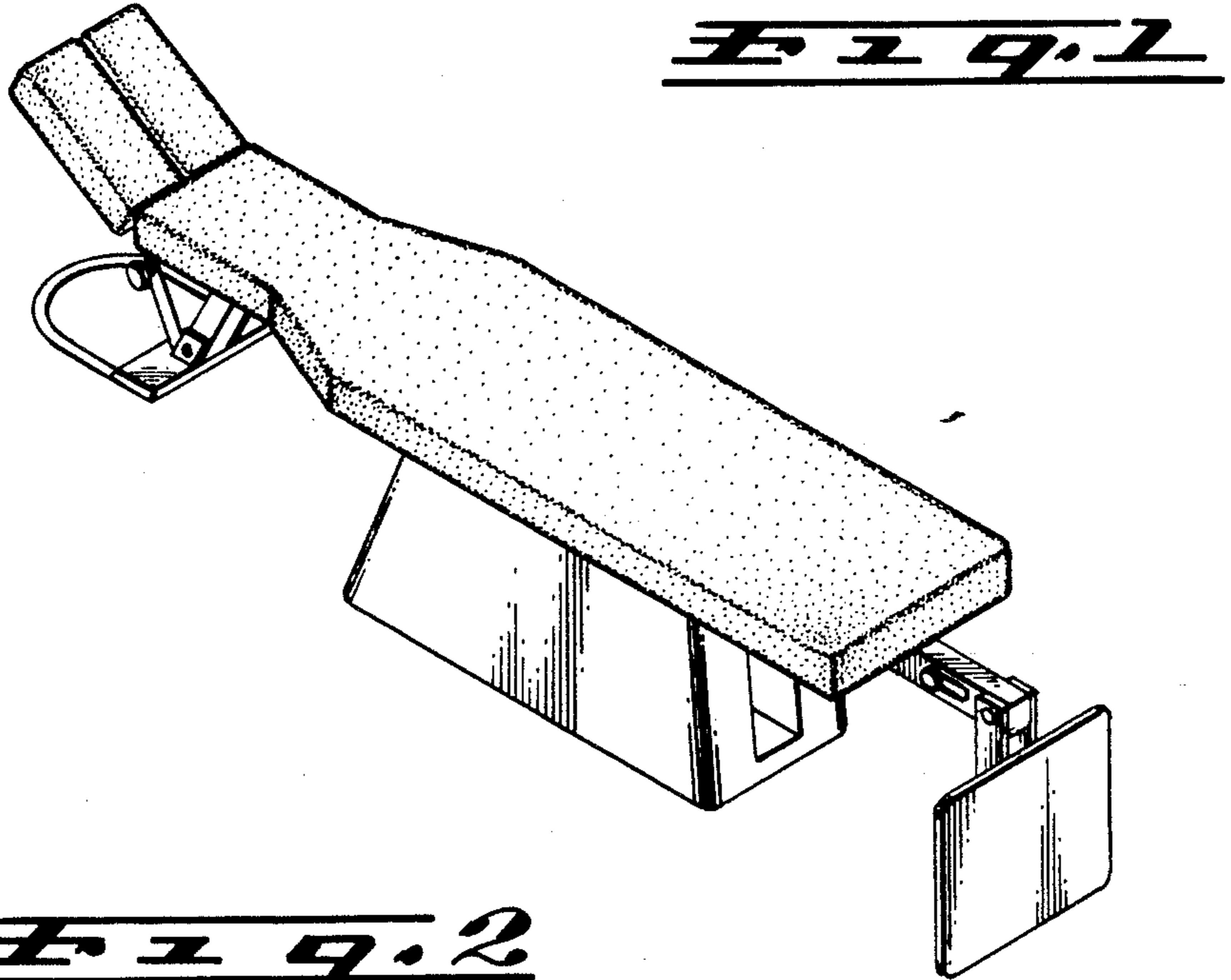


Fig. 2

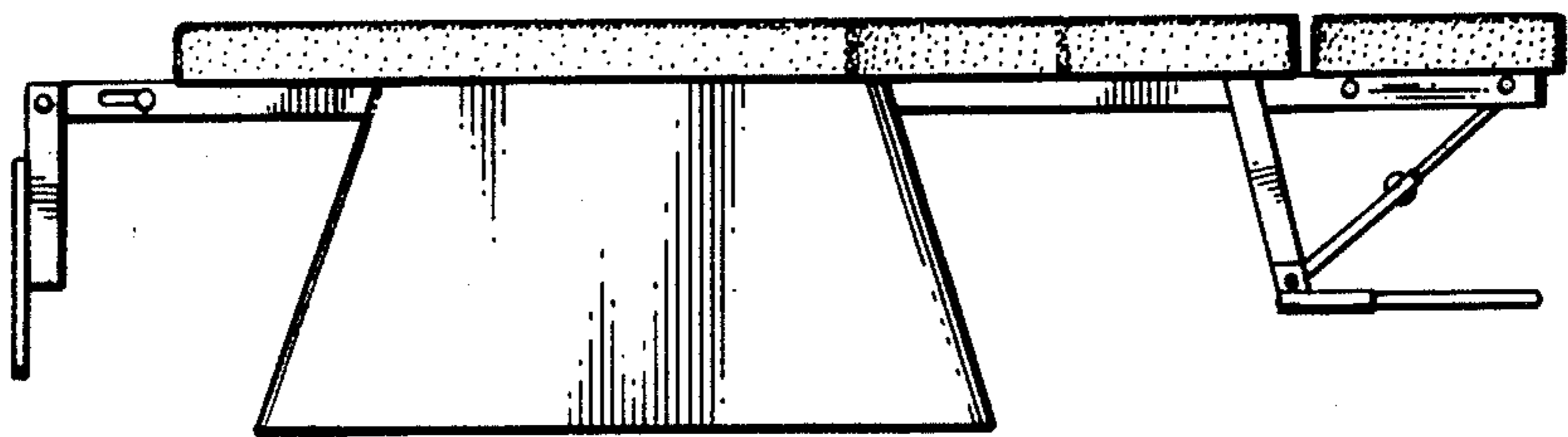


Fig. 3

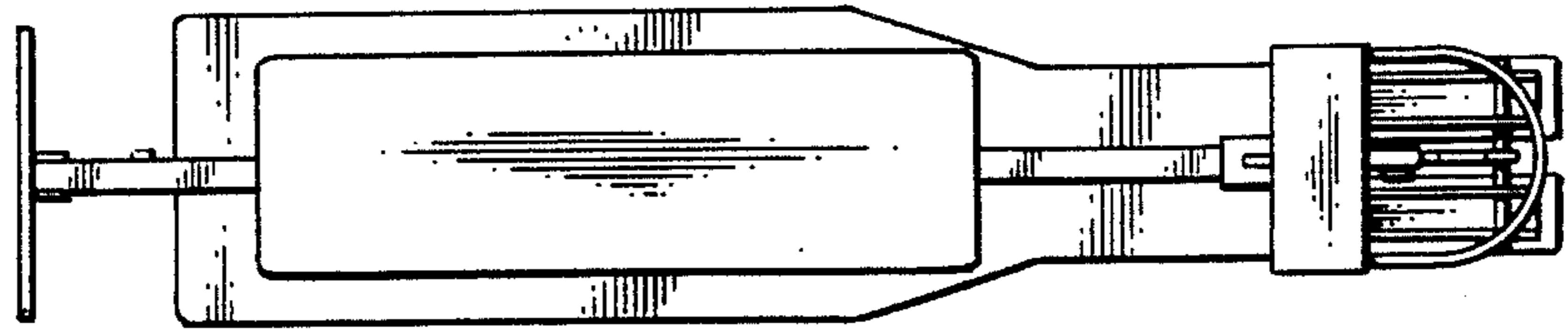


Fig. 4

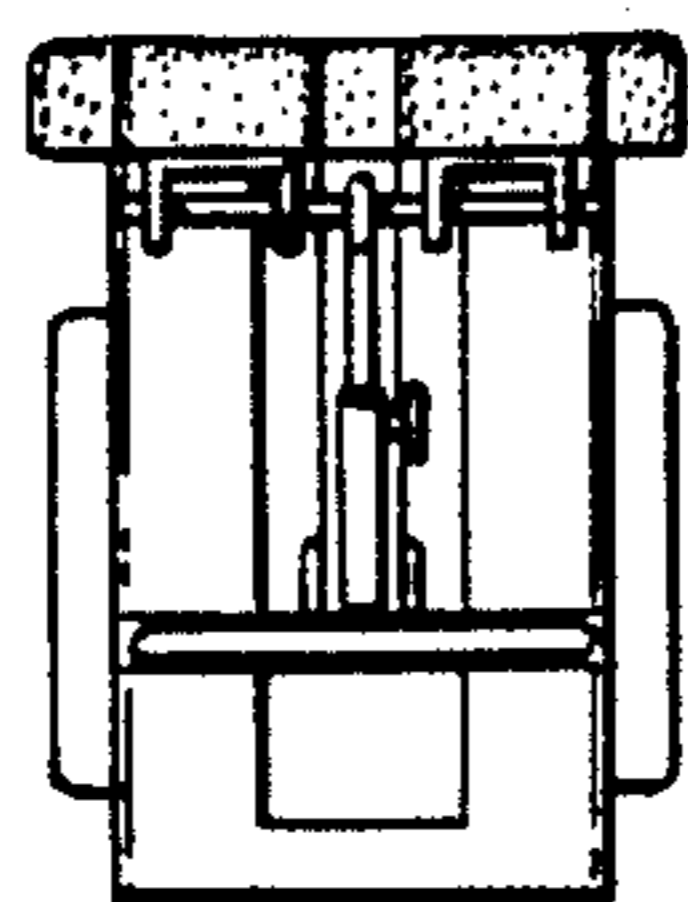


Fig. 5

