

[54] SUSPENDED STRAINER

[75] Inventor: Reginald Wilfred Chapple, Ashstead, England

[73] Assignee: Russell Finex Limited, London, England

[**] Term: 14 Years

[21] Appl. No.: 725,531

[22] Filed: Sep. 22, 1976

[30] Foreign Application Priority Data

Jul. 13, 1976 [GB] United Kingdom 97645/76

[51] Int. Cl. D23-01

[52] U.S. Cl. D23/4

[58] Field of Search D23/1-4; 209/326, 366, 366.5, 367, 415; 210/384, 385, 388

[56] References Cited

U.S. PATENT DOCUMENTS

D. 116,209	8/1939	Von Kohorn Zu Kornegg ...	D23/4
D. 136,021	7/1943	Kraissl, Jr.	D23/4
1,152,396	9/1915	Combs	209/366.5
1,192,502	7/1916	Combs	209/366.5
1,267,562	5/1918	Lindsay	209/366.5
1,607,013	11/1926	Meyerhofer	210/388
1,686,984	10/1928	Pickop	209/366.5
3,444,999	5/1969	Hurst	209/366.5

Primary Examiner—James R. Largen
Attorney, Agent, or Firm—Edward F. Connors

[57] CLAIM

The ornamental design for a suspended strainer, substantially as shown and described.

DESCRIPTION

FIG. 1 is a front elevational view of a suspended strainer embodying my new design, the rear being a mirror image of the front shown;
FIG. 2 is a side elevational view thereof, the opposite side being a mirror image of the side shown;
FIG. 3 is a top plan view thereof; and
FIG. 4 is a bottom plan view thereof.

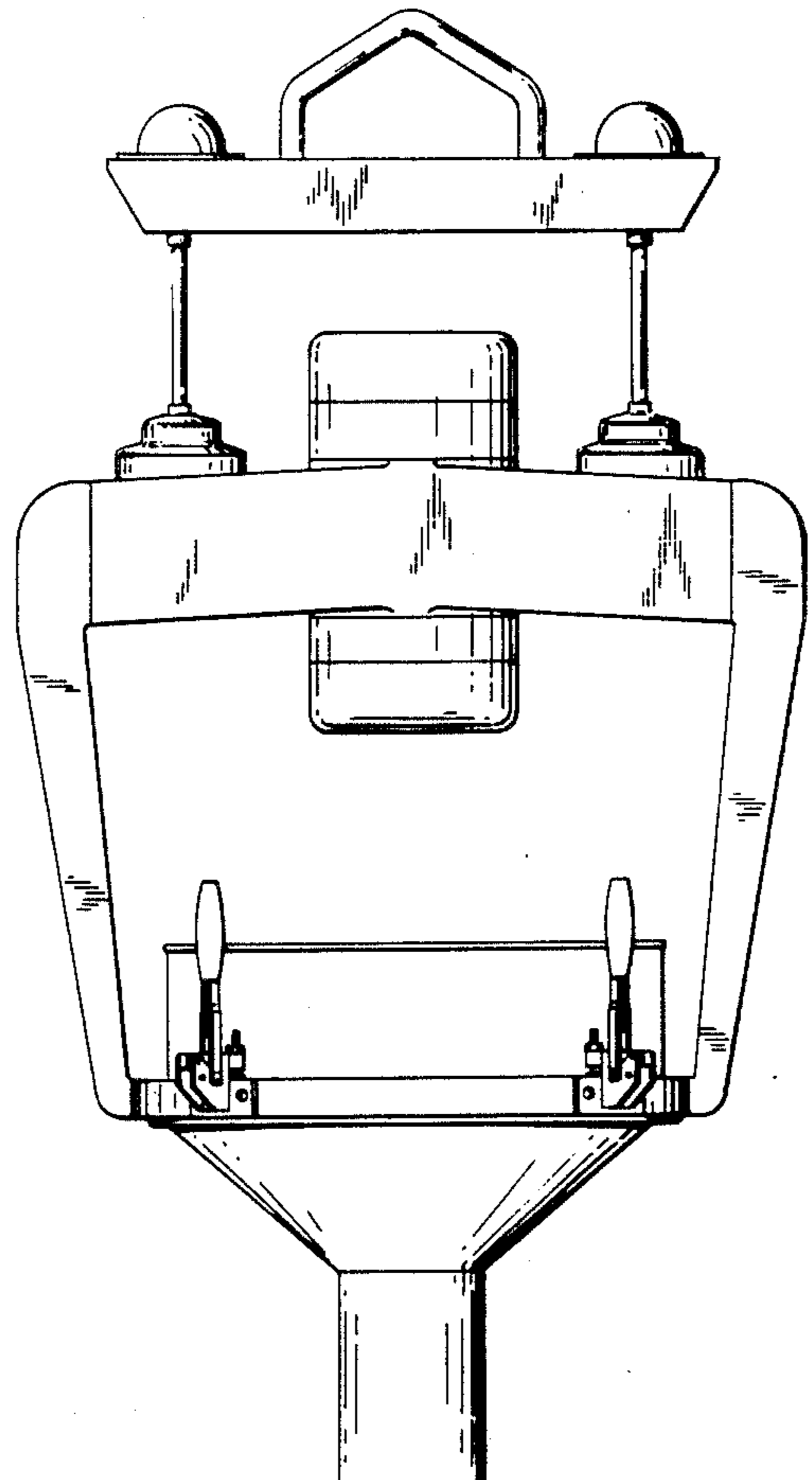
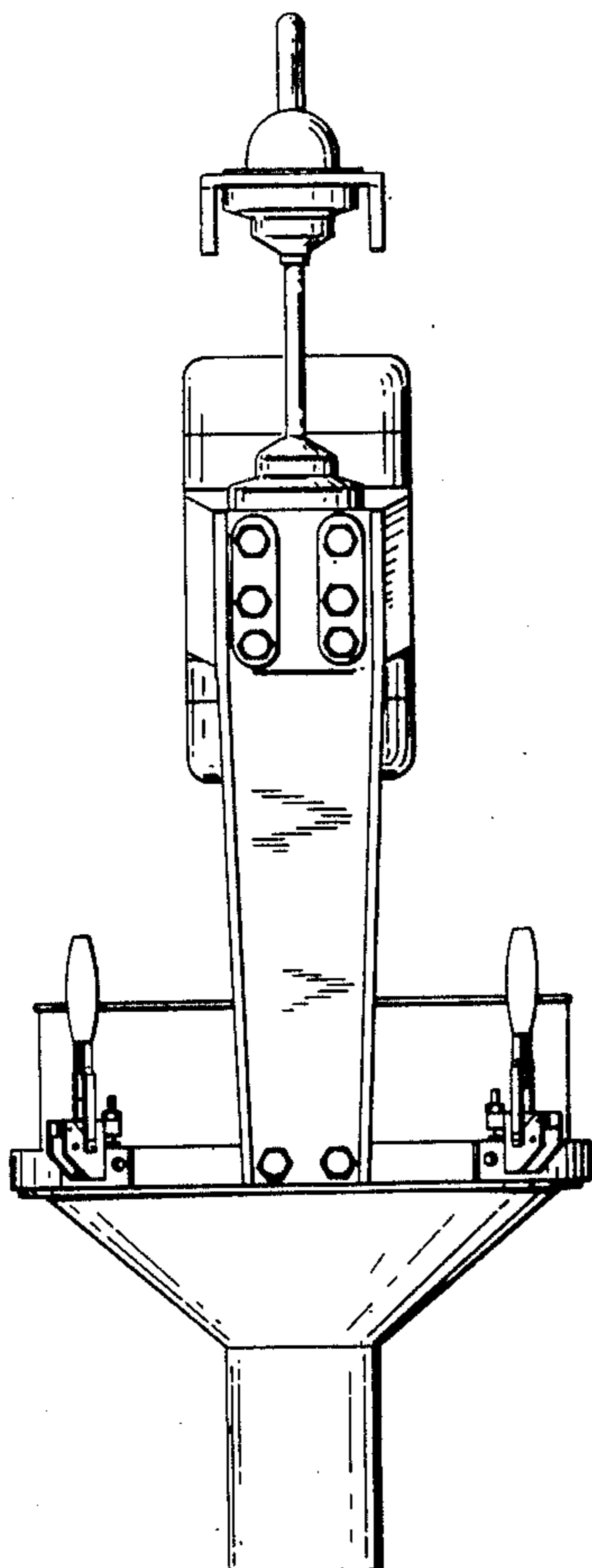


FIG. 1

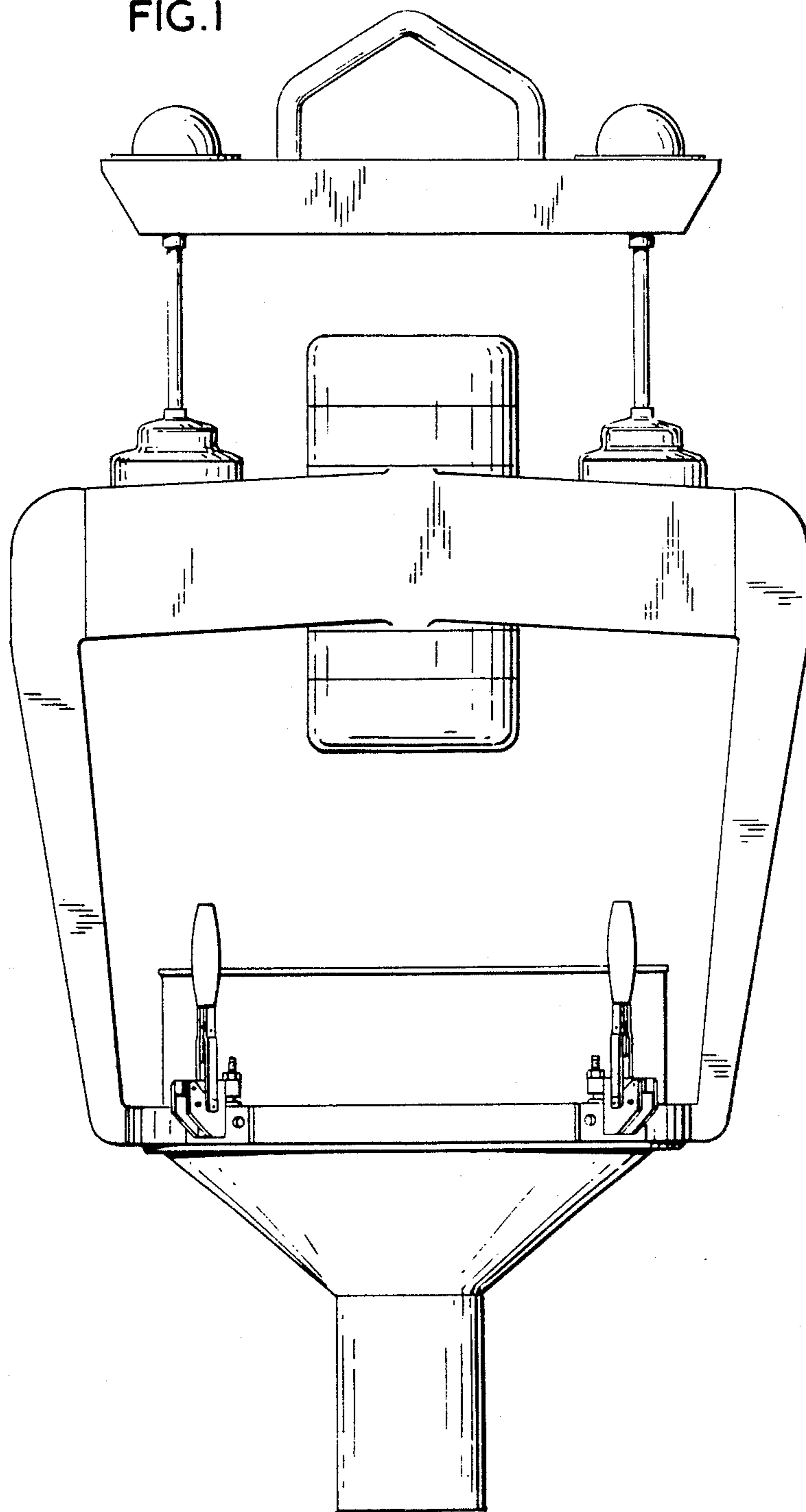


FIG. 2

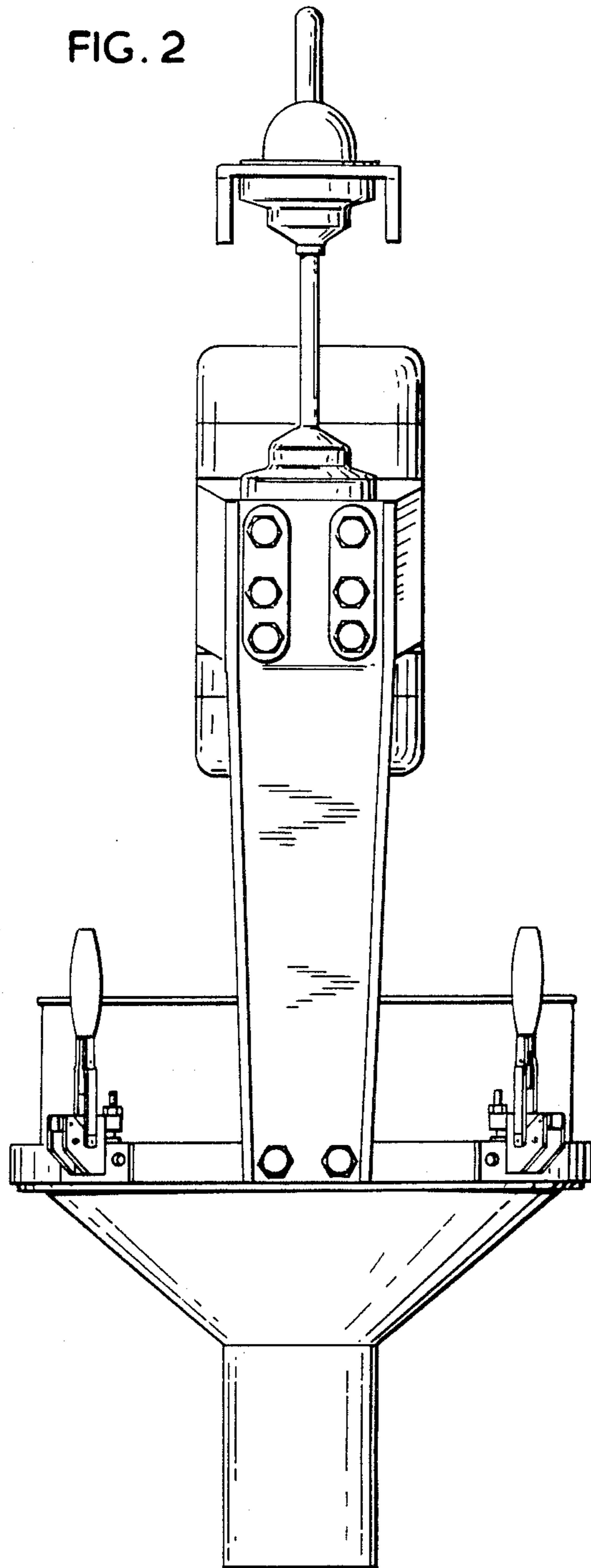


FIG. 3

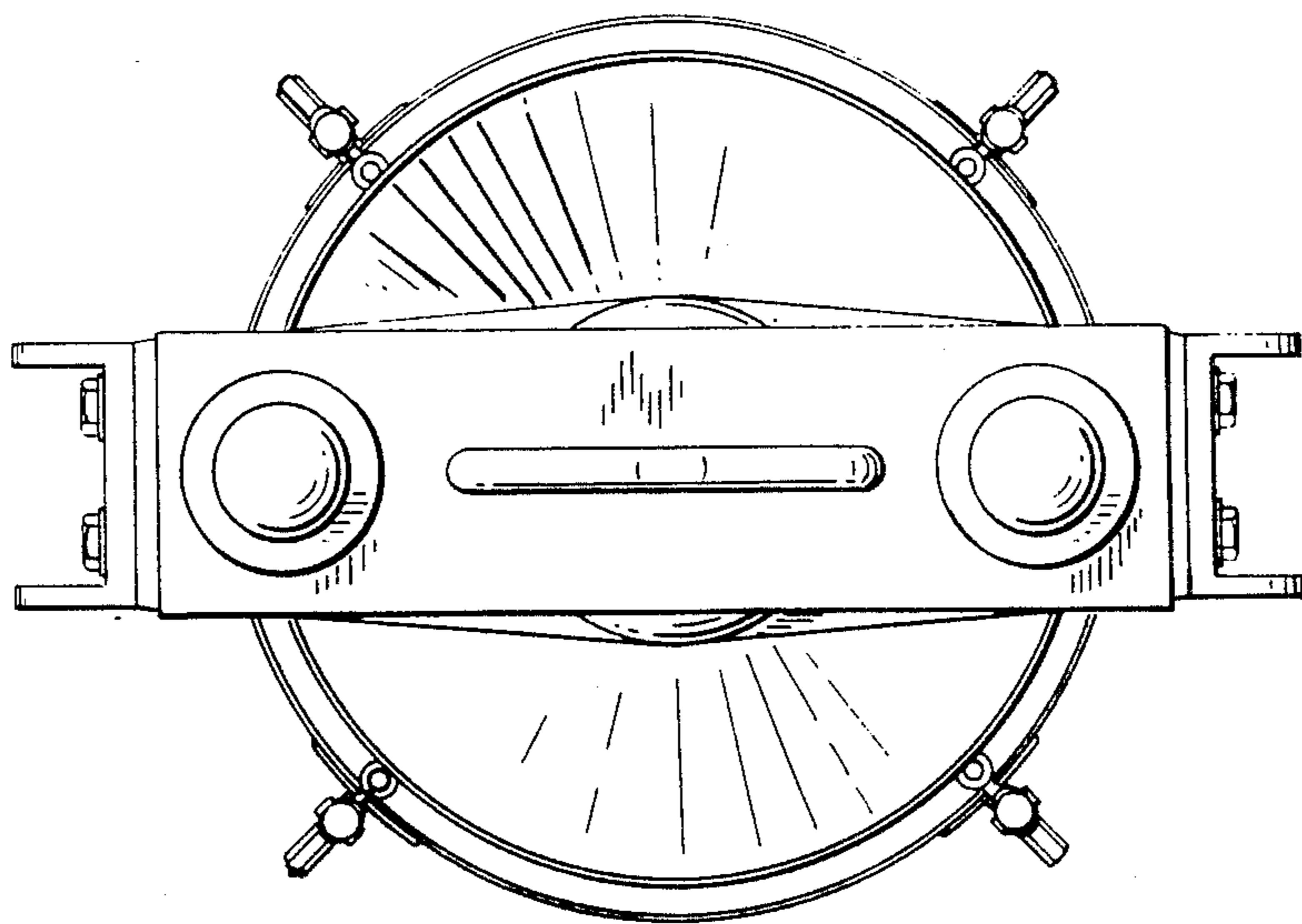


FIG. 4

