

[54] SLIDE PROCESSOR CAMERA

[75] Inventors: Daisuke Kajiwara, Ohnojo; Haruji Nakamura, Kasuga, both of Japan

[73] Assignee: Matsushita Electric Industrial Co., Ltd., Kadoma, Japan

[\*\*] Term: 14 Years

[21] Appl. No.: 758,383

[22] Filed: Jan. 10, 1977

[30] Foreign Application Priority Data

Jul. 9, 1976 [JP] Japan ..... 51/26595

[51] Int. Cl. .... D16-01

[52] U.S. Cl. .... D16/02

[58] Field of Search ..... D16/1, 2, 34; 355/3 R, 355/5, 10, 27; 354/83

[56]

References Cited

U.S. PATENT DOCUMENTS

|            |         |                      |          |
|------------|---------|----------------------|----------|
| D. 223,216 | 3/1972  | Saito et al. ....    | D16/27   |
| 3,697,173  | 10/1972 | Sasaki et al. ....   | 354/83 X |
| 3,945,727  | 3/1976  | Nakajima et al. .... | 355/27   |

Primary Examiner—Wallace R. Burke  
Assistant Examiner—Catherine Kemper  
Attorney, Agent, or Firm—Richard C. Sughrue

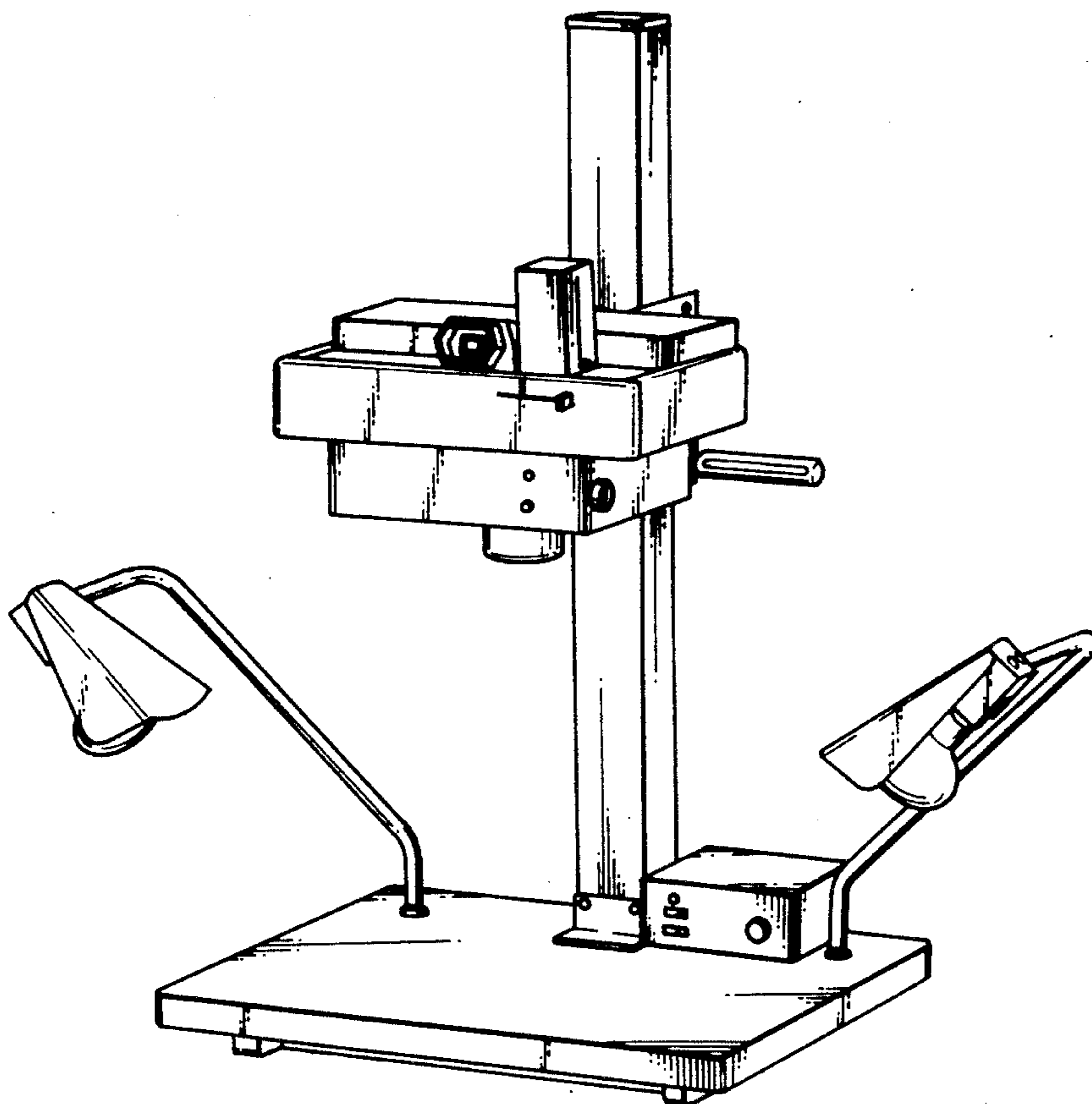
[57]

CLAIM

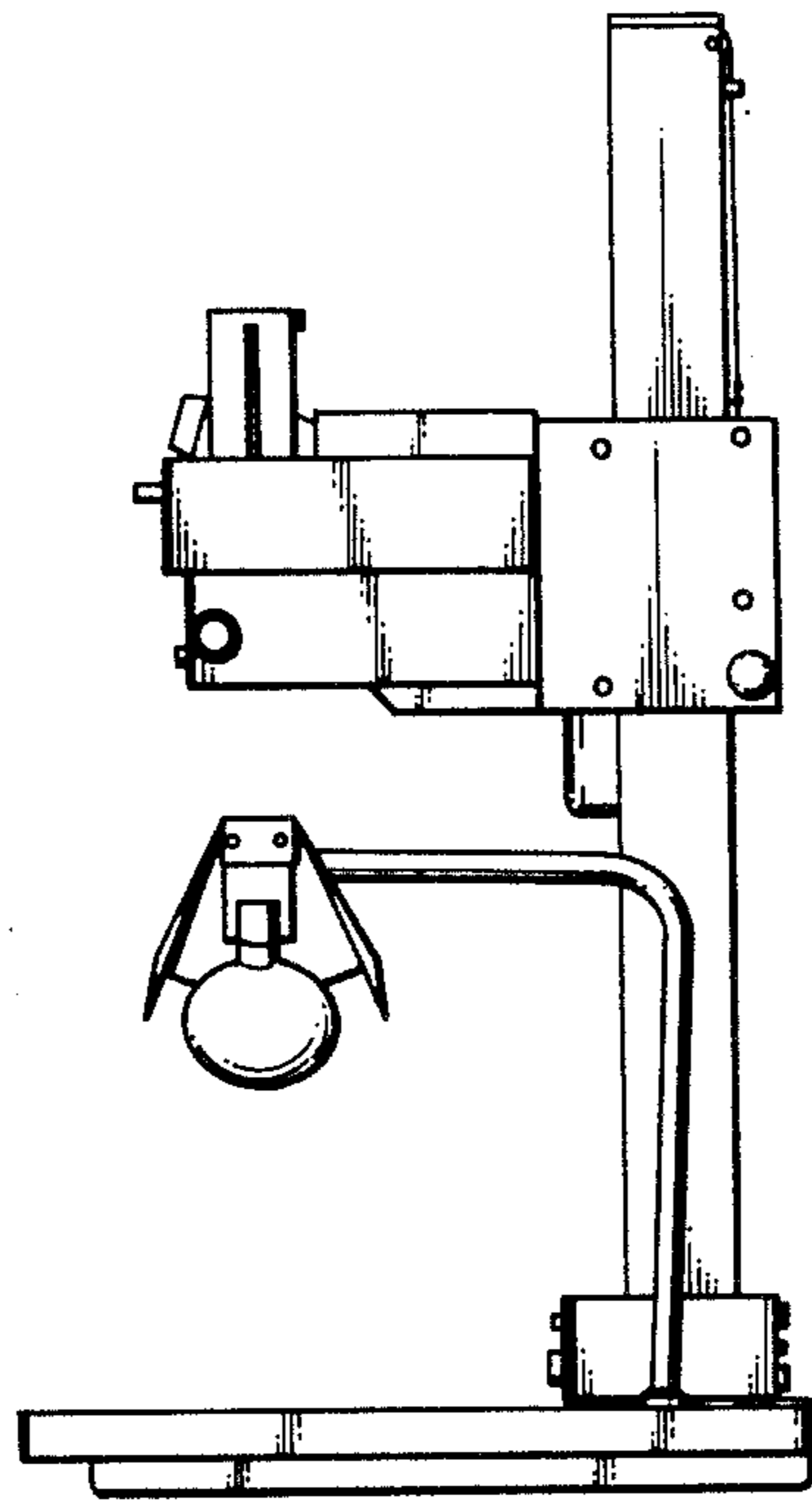
The ornamental design for a slide processor camera, as shown.

DESCRIPTION

FIG. 1 is a left side elevational view of a slide processor camera, showing our new design;  
FIG. 2 is a right side elevational view thereof;  
FIG. 3 is a top front perspective view thereof;  
FIG. 4 is a bottom rear perspective view thereof.



*Fig. 1*



*Fig. 2*

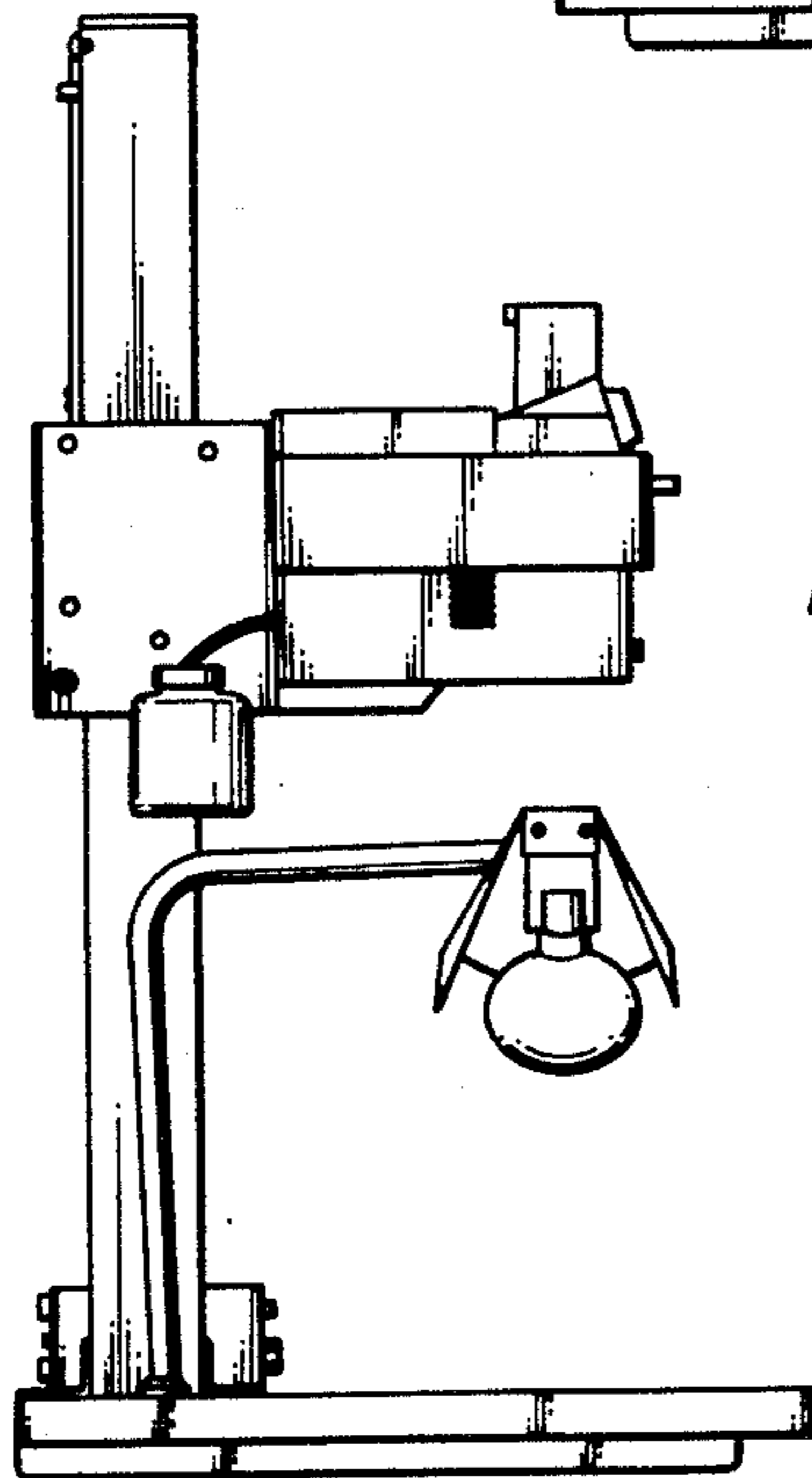


Fig. 3

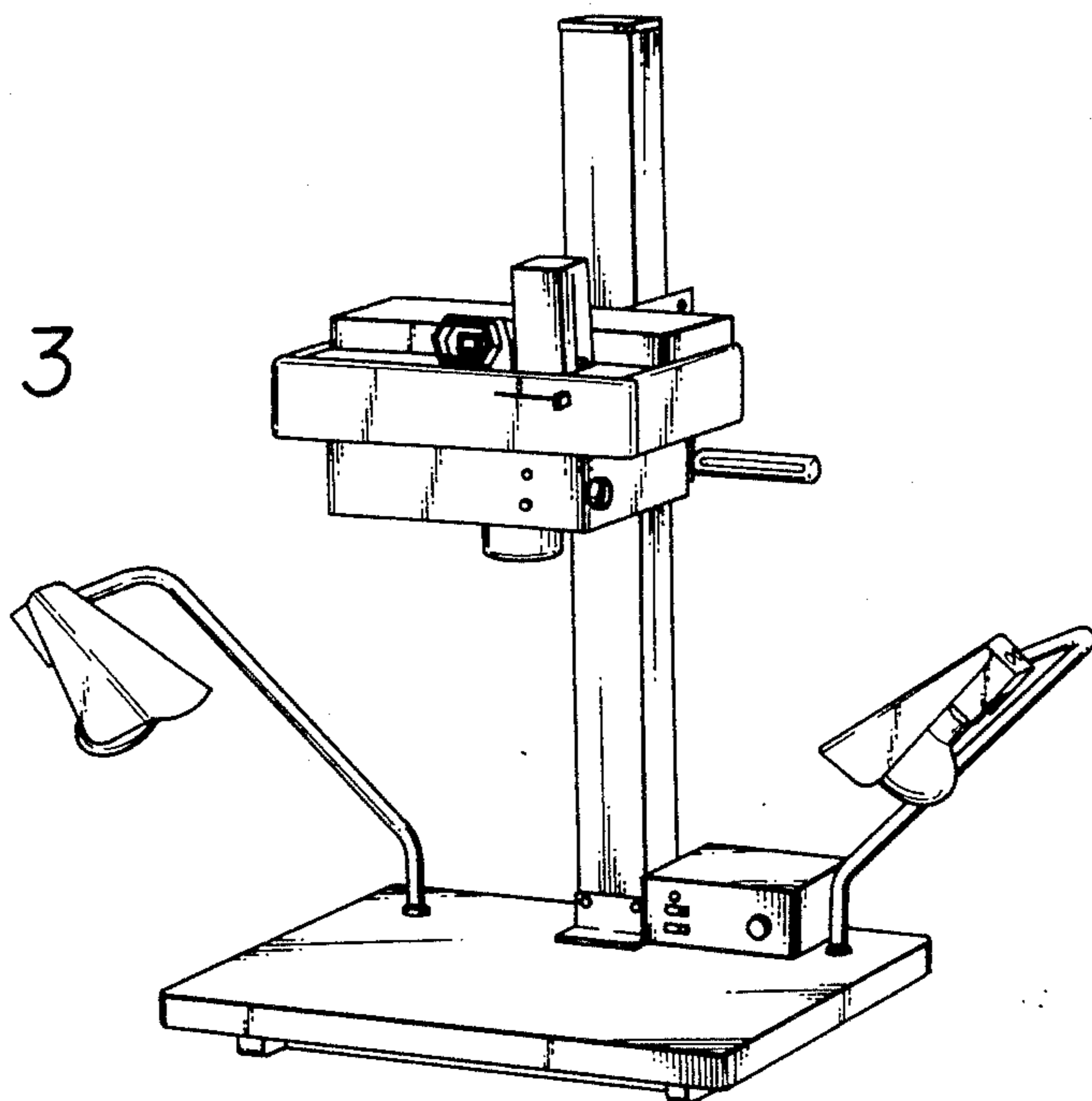


Fig. 4

