

[54] DYNAMIC SIGNAL EXPANDER

[76] Inventor: James E. Stout, 500 Webb Rd., Raymore, Mo. 64083

[**] Term: 14 Years

[21] Appl. No.: 673,128

[22] Filed: Apr. 2, 1976

[51] Int. Cl. D14-03

[52] U.S. Cl. D14/96

[58] Field of Search D14/96, 95, 99; 84/1.24, 1.25, 1.26, DIG. 17, DIG. 11

[56] References Cited

U.S. PATENT DOCUMENTS

D. 237,390	10/1975	Norris	D14/99
D. 244,214	5/1977	Ross et al.	D14/96
D. 244,215	5/1977	Ross	D14/96

OTHER PUBLICATIONS

Radio Shack Electronics 1975, © 1974, p. 50, Power Supply, center top of page.

Radio Shack Electronics 1976, © 1975, p. 50, Quartette 4-Channel Synthesizer, item 40-981.

Primary Examiner—Bernard Ansher
Attorney, Agent, or Firm—Claude W. Lowe

[57] CLAIM

The ornamental design for a dynamic signal expander, as shown and described.

DESCRIPTION

FIG. 1 is a perspective view of a dynamic signal expander showing my new design;

FIG. 2 is a front elevational view of the signal expander;

FIG. 3 is a side elevational view of the signal expander taken from the right side of FIG. 2, the opposite side of the signal expander being similar in appearance;

FIG. 4 is a top plan view of the signal expander;

FIG. 5 is a bottom plan view of the signal expander; and

FIG. 6 is a rear elevational view of the signal expander.

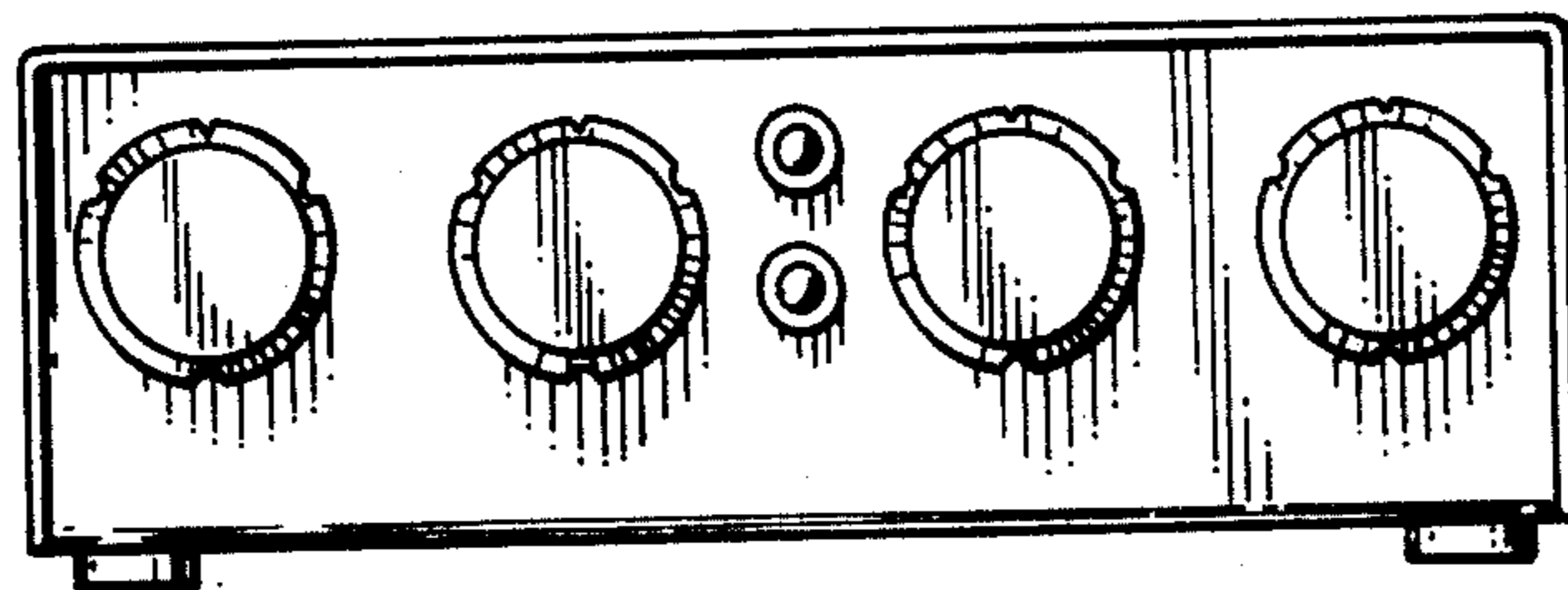
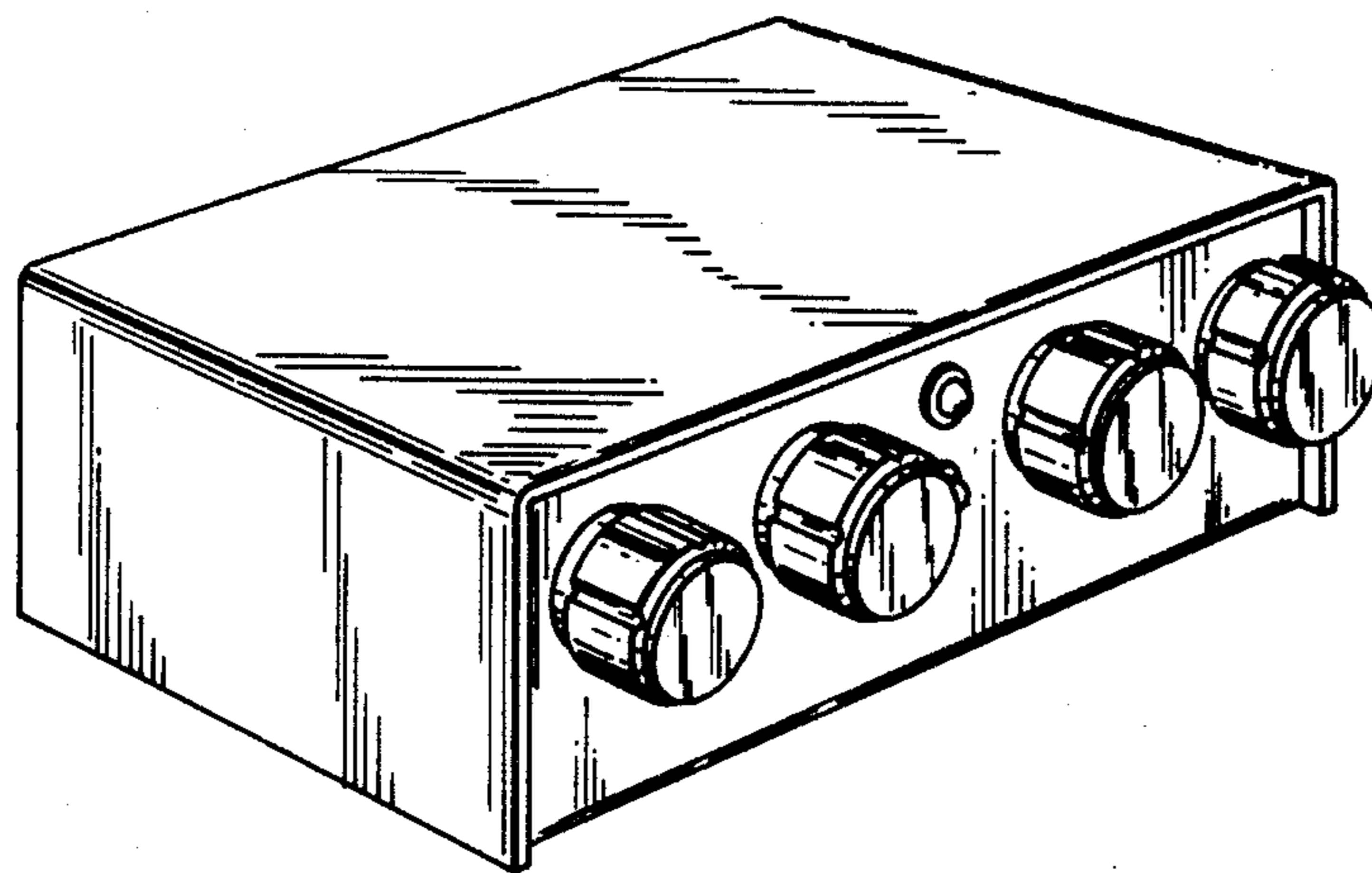


Fig. 1.

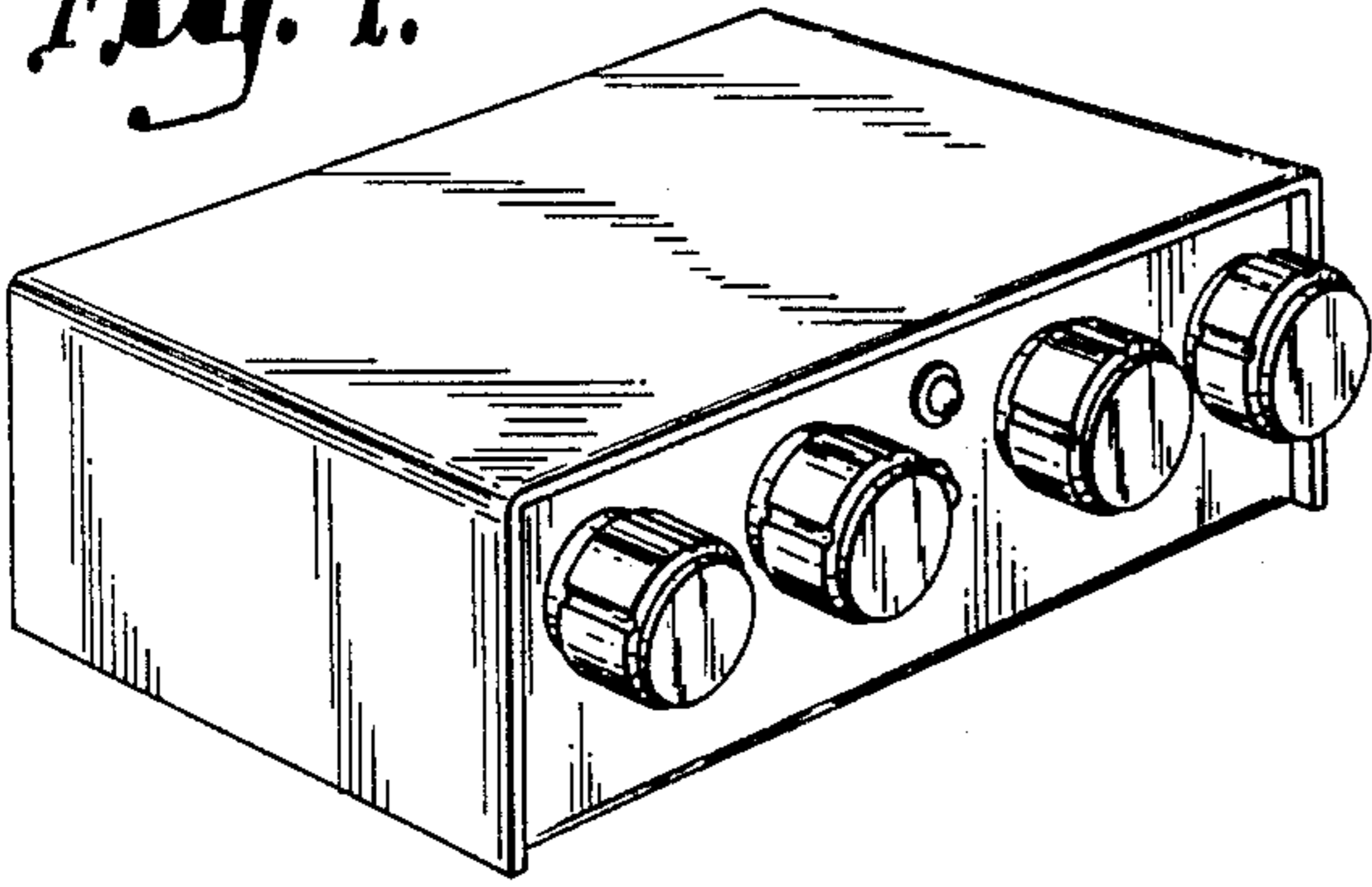


Fig. 2.

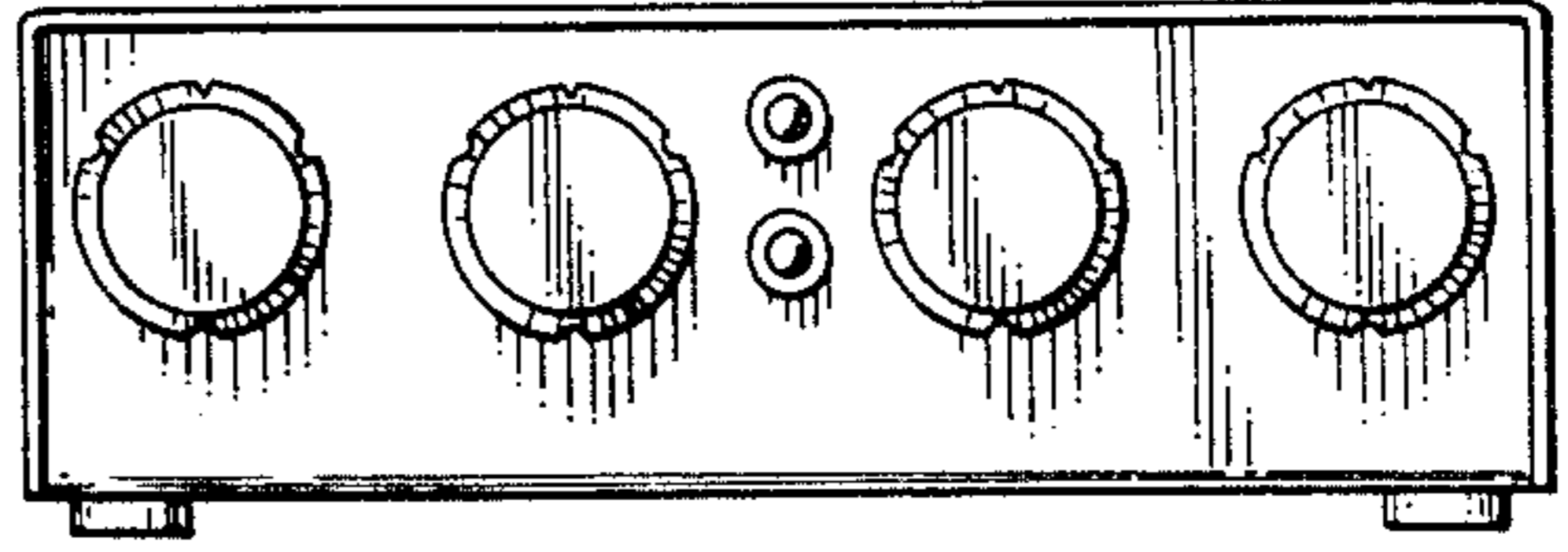


Fig. 3.

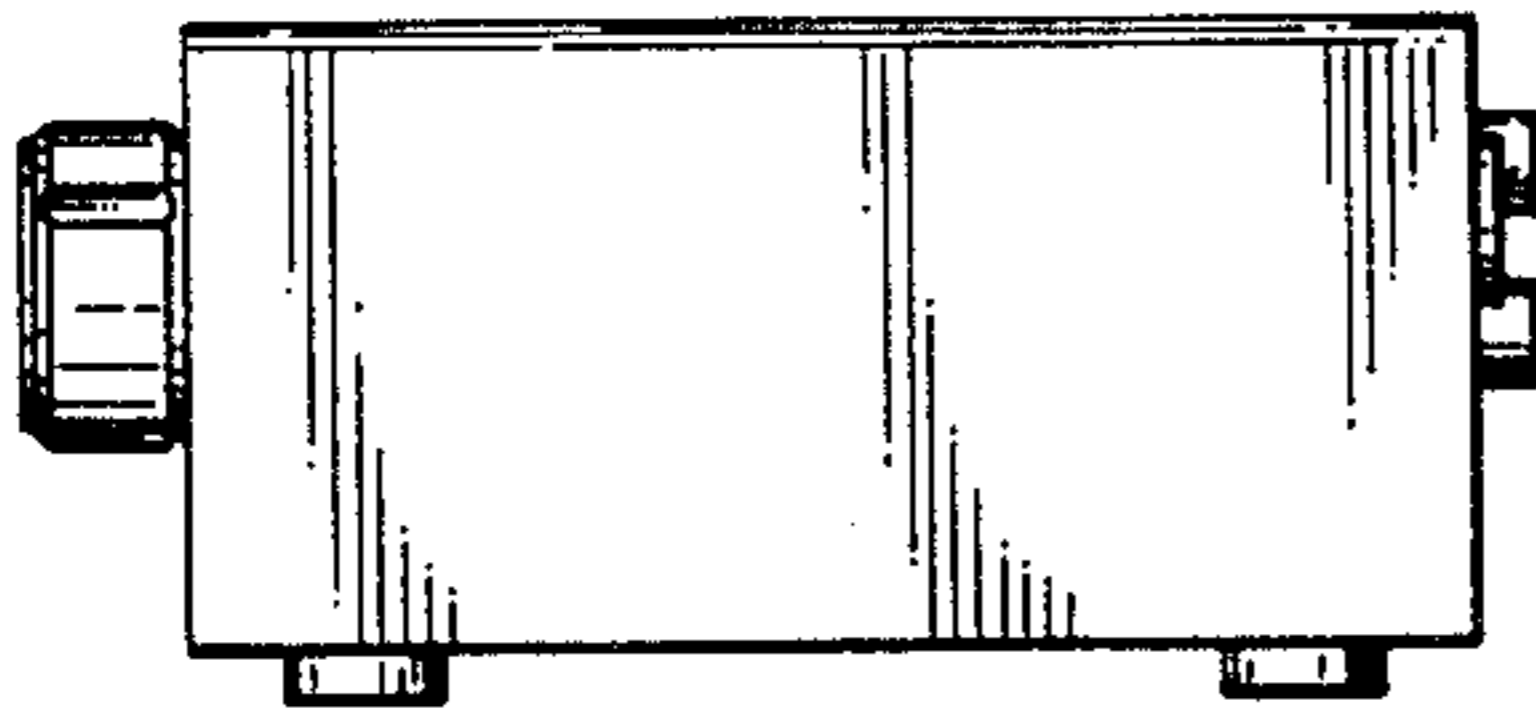


Fig. 4.

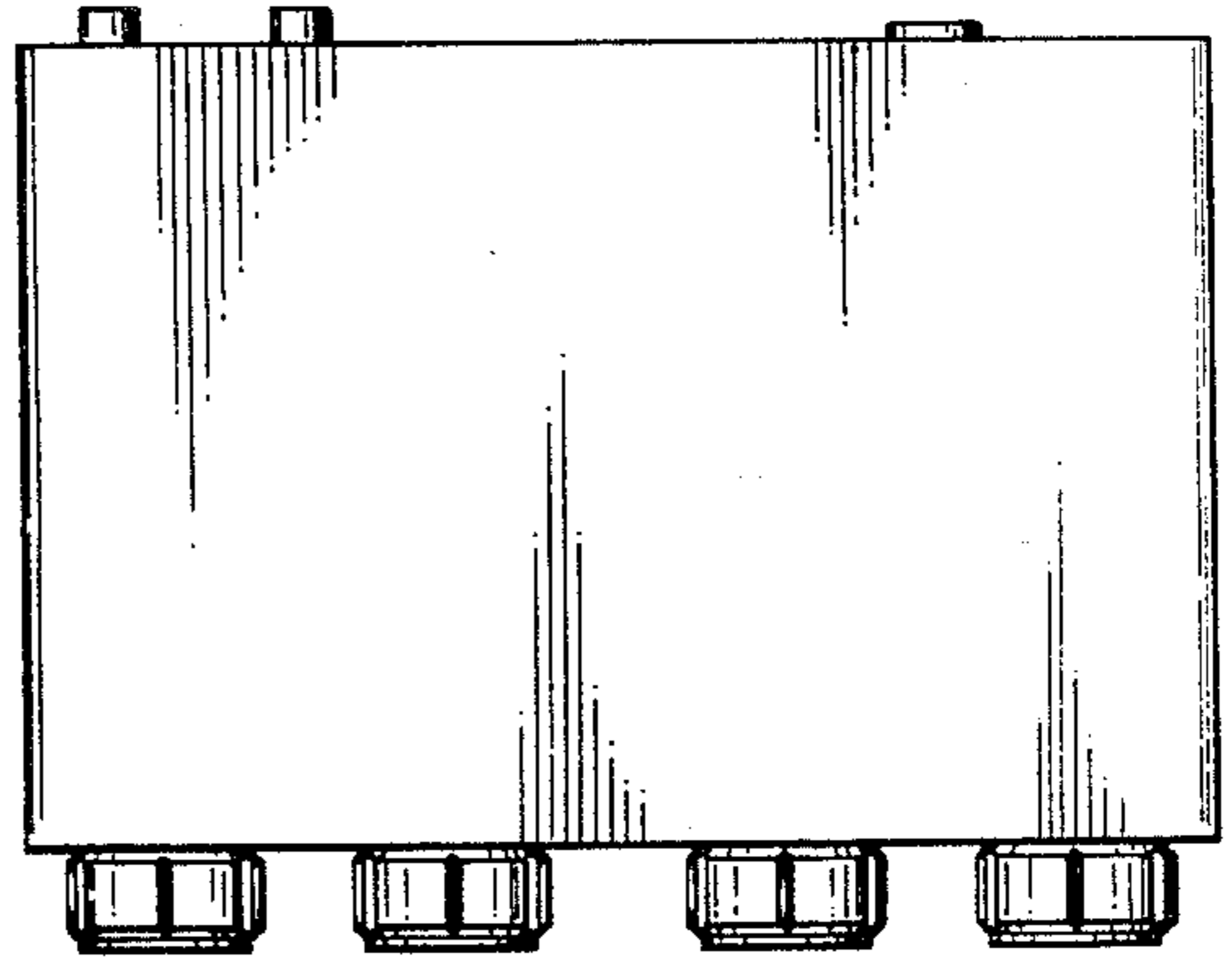


Fig. 5.

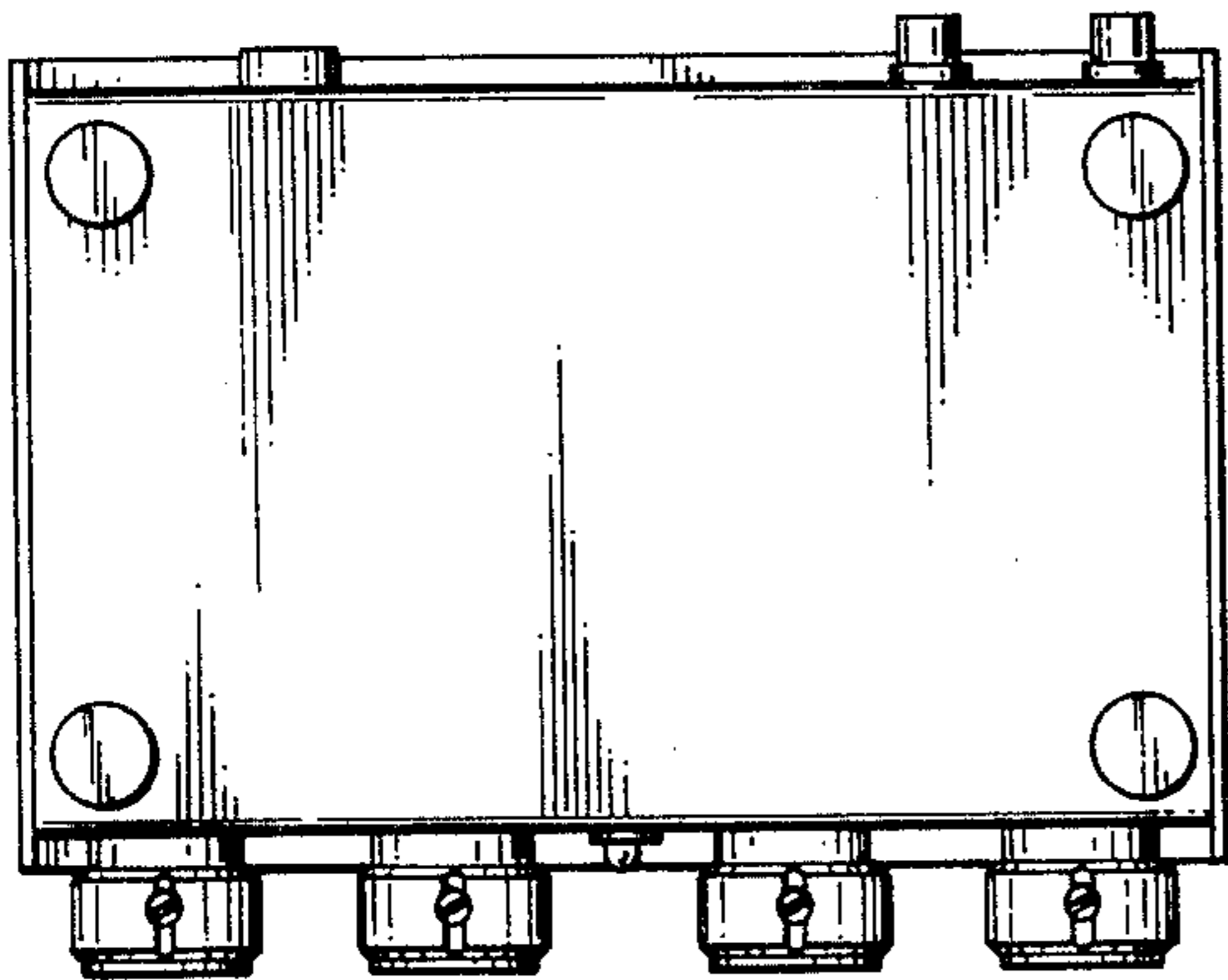


Fig. 6.

