

[54] DISPLAY STATION FOR A DATA PROCESSING SYSTEM

[75] Inventor: Charles Anthony Pycha, Rochester, Minn.

[73] Assignee: International Business Machines Corporation, Armonk, N.Y.

[**] Term: 14 Years

[21] Appl. No.: 785,575

[22] Filed: Apr. 7, 1977

[51] Int. Cl. D14-02

[52] U.S. Cl. D14/43

[58] Field of Search D14/40-51; D13/40, 41; D64/11 R, 11 B, 11 C; 340/149 A; 235/61.7 B

[56] References Cited

U.S. PATENT DOCUMENTS

D. 235,654 7/1975 Crabbe et al. D14/43
D. 245,025 7/1977 Smith et al. D14/43

OTHER PUBLICATIONS

Datamation, Jun. 1975, p. 127 - Terminal.

Primary Examiner—Susan J. Lucas

Attorney, Agent, or Firm—J. Michael Anglin

[57] CLAIM

The ornamental design for a display station for a data processing system, as shown and described.

DESCRIPTION

FIG. 1 is a perspective view showing the front, top and right side of a display station for a data processing system incorporating my new design;

FIG. 2 is a perspective view showing the rear, bottom and left side of the display station of FIG. 1; and

FIG. 3 is a perspective view showing the front, bottom and right side of the display station of FIG. 1.

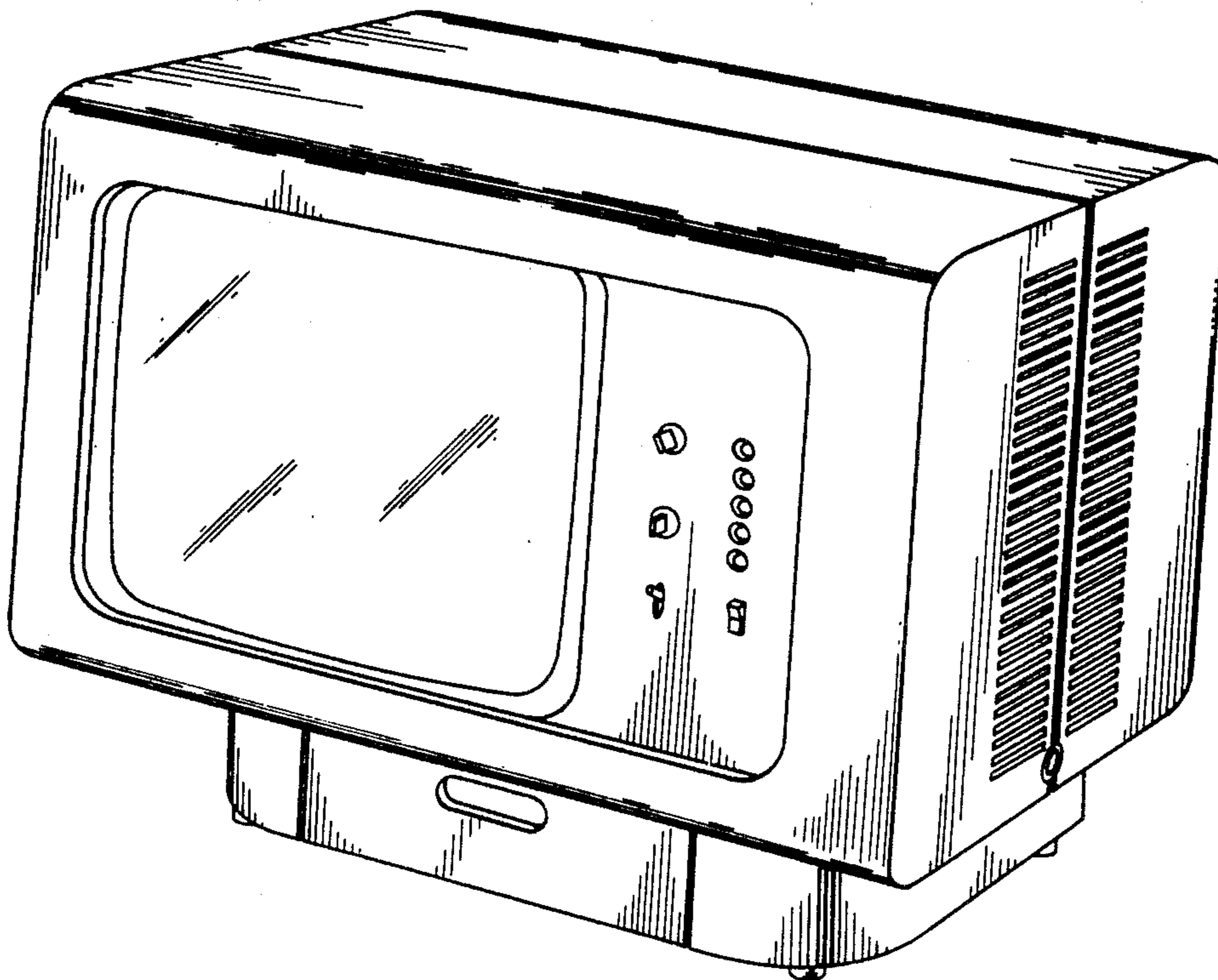


FIG. 1

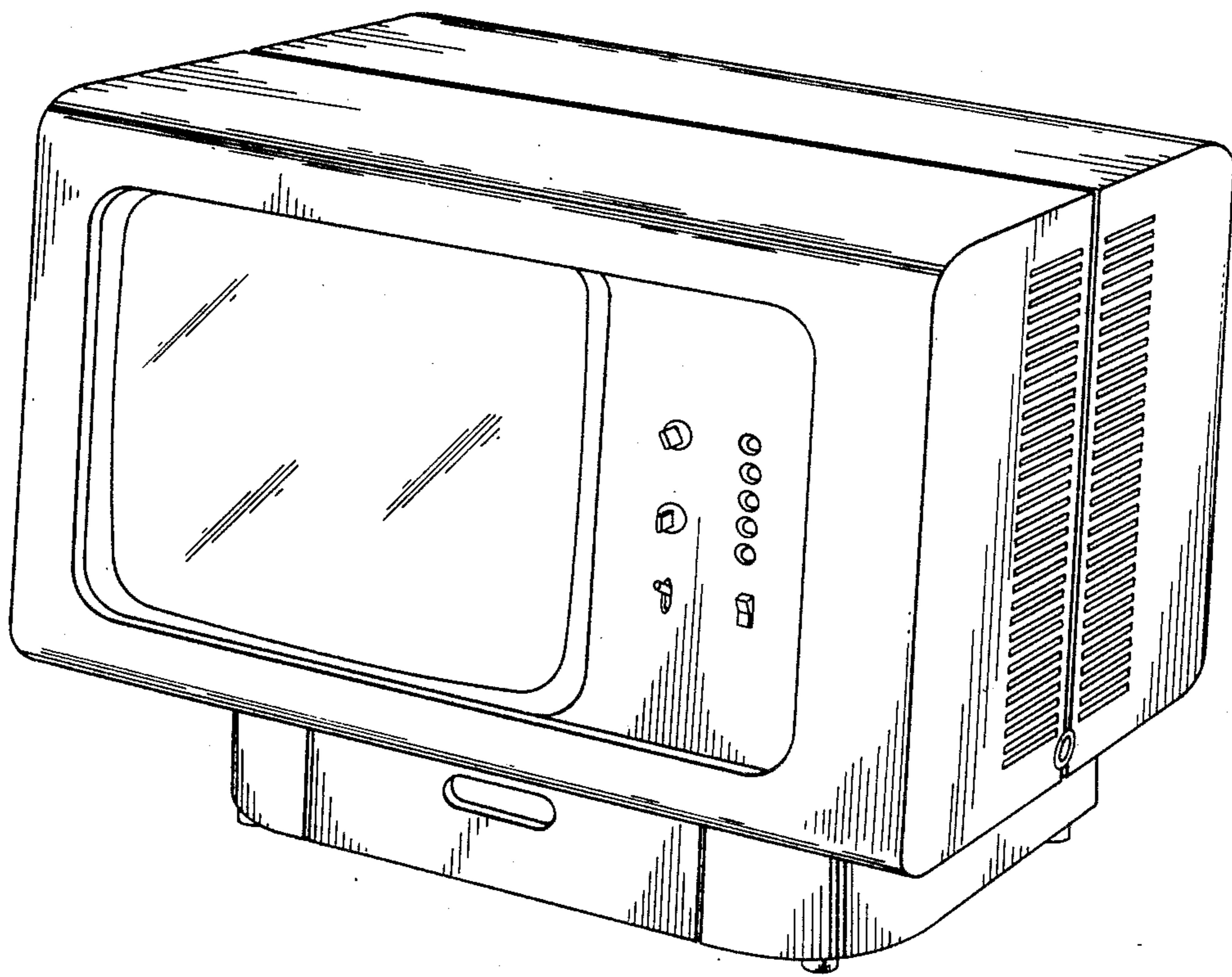


FIG. 2

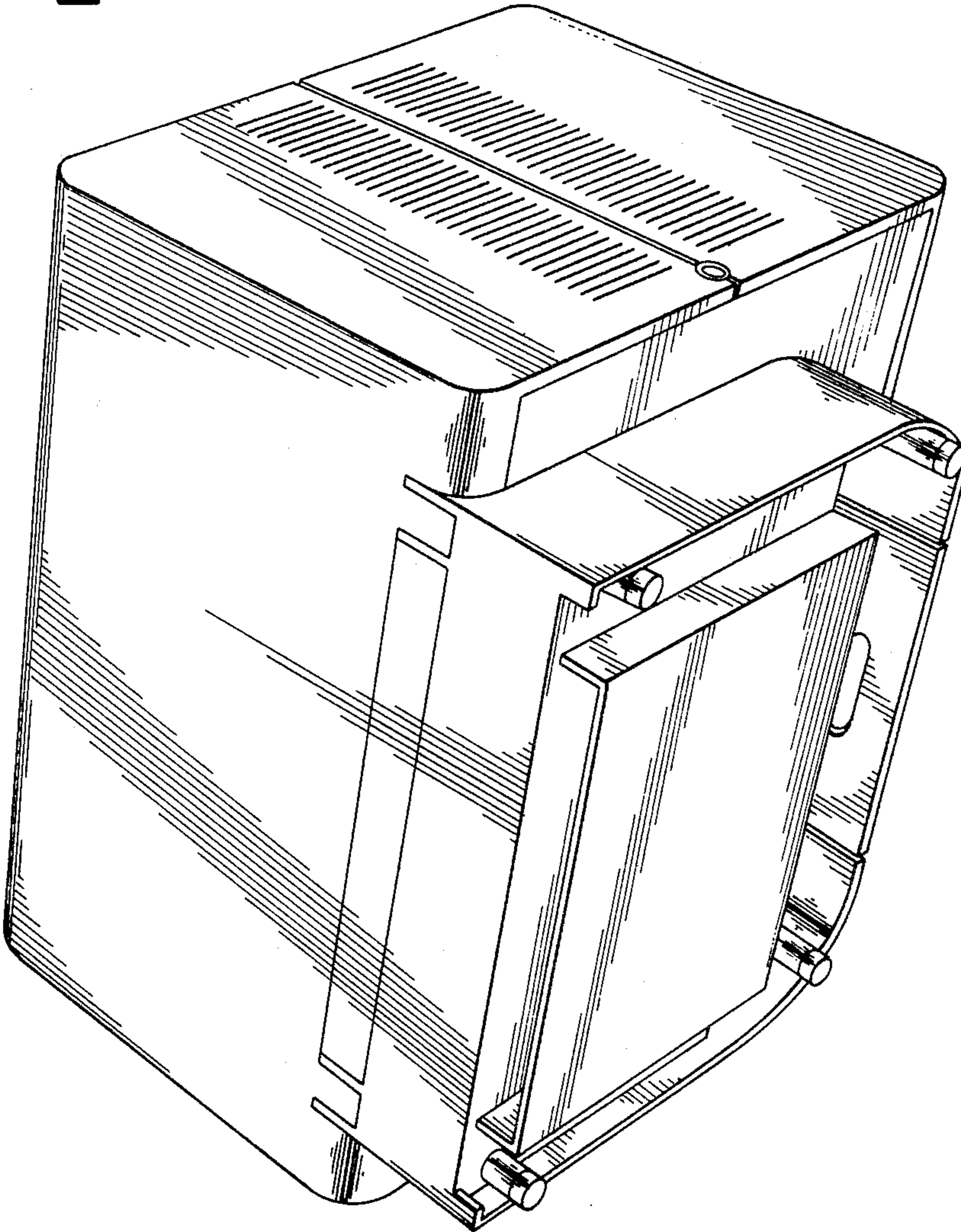


FIG. 3

