

[54] ELECTRICAL CONNECTOR

[75] Inventors: Arthur Thomas Spencer, Biggleswade; Paul Robert Hardy, Upper Caldecote, both of England

[73] Assignee: Pye (Electronic Products) Ltd.

[\*\*] Term: 14 Years

[21] Appl. No.: 788,123

[22] Filed: Apr. 18, 1977

[30] Foreign Application Priority Data  
Oct. 19, 1976 [GB] United Kingdom ..... 977569/76

[51] Int. Cl. .... D13-03

[52] U.S. Cl. .... D13/24

[58] Field of Search ..... D13/12, 24, 27, 28, D13/99; 339/125 R, 175 R, 175 A, 176 R, 198 R, 176 MP, 103

[56] References Cited

U.S. PATENT DOCUMENTS

D. 194,602 2/1963 Lamont ..... D13/24

OTHER PUBLICATIONS

Viking Industries Printed Circuit and Test Point Connectors Catalog, Oct. 1967, p. 4 - Connector.  
American Pamcor Inc., Terminal & Connector Handbook, p. 530, Connector.

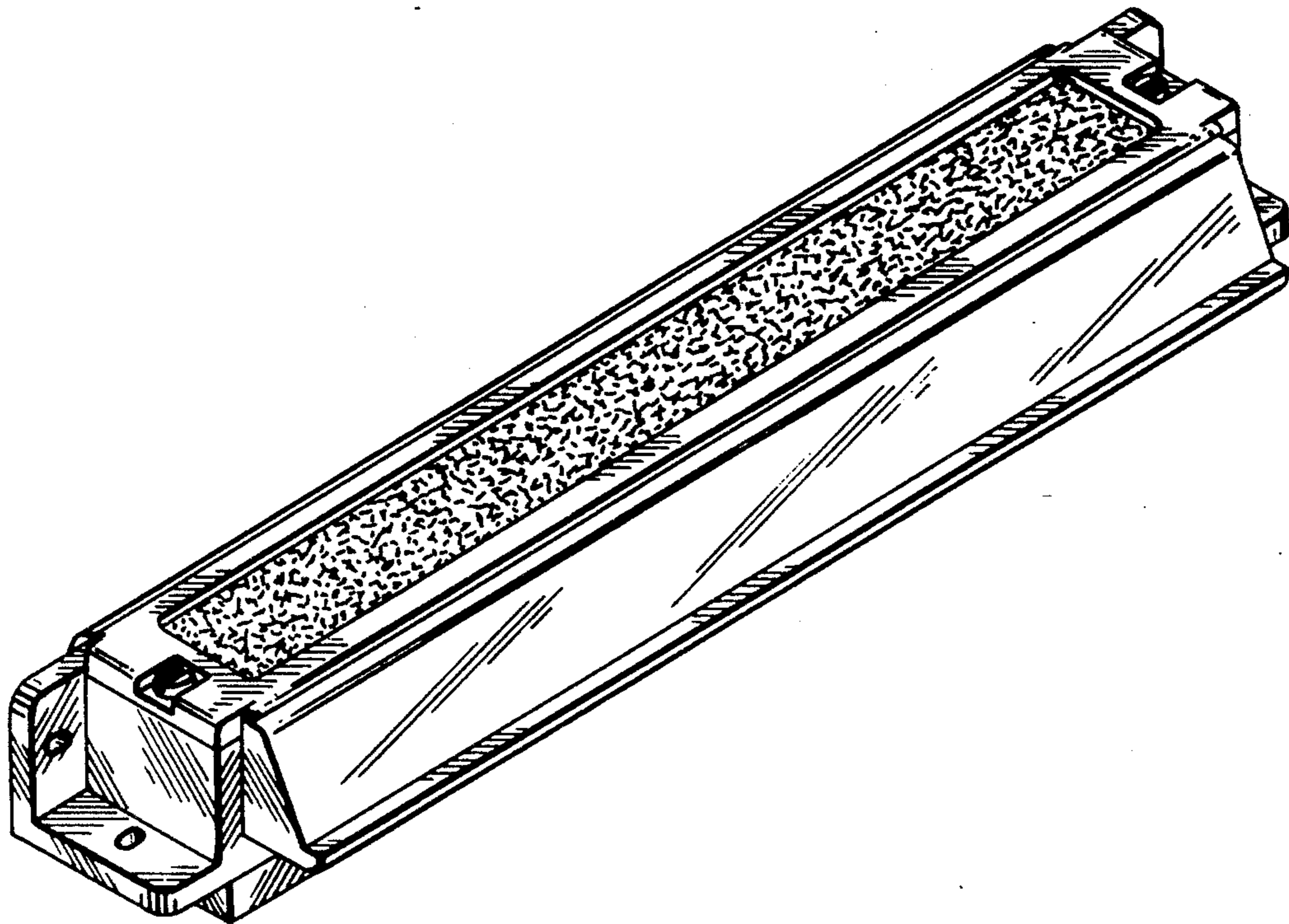
Primary Examiner—Susan J. Lucas  
Attorney, Agent, or Firm—Frank R. Trifari

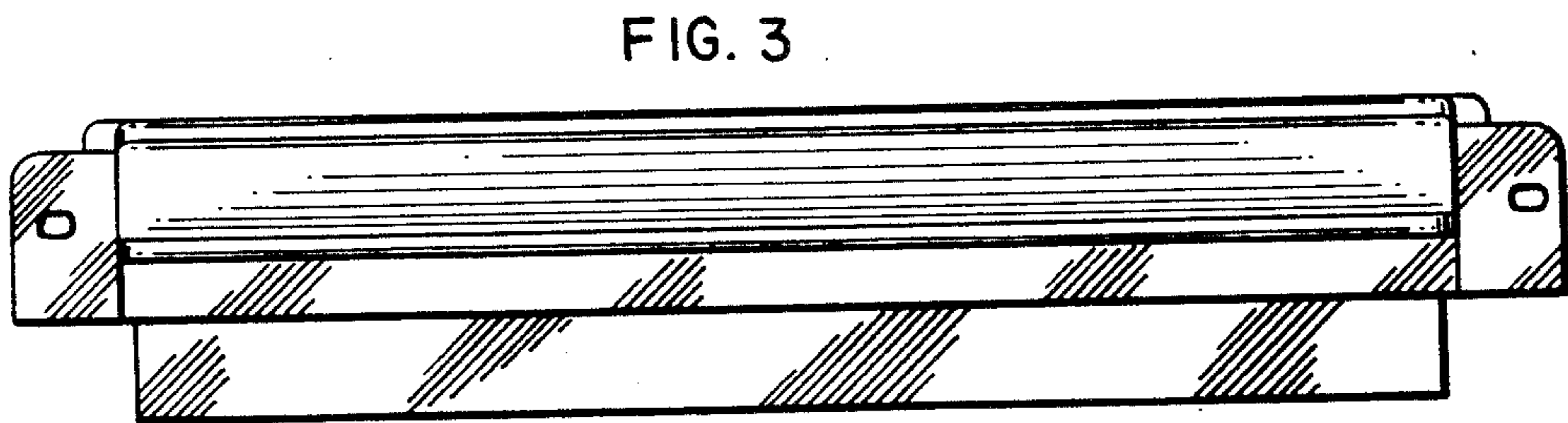
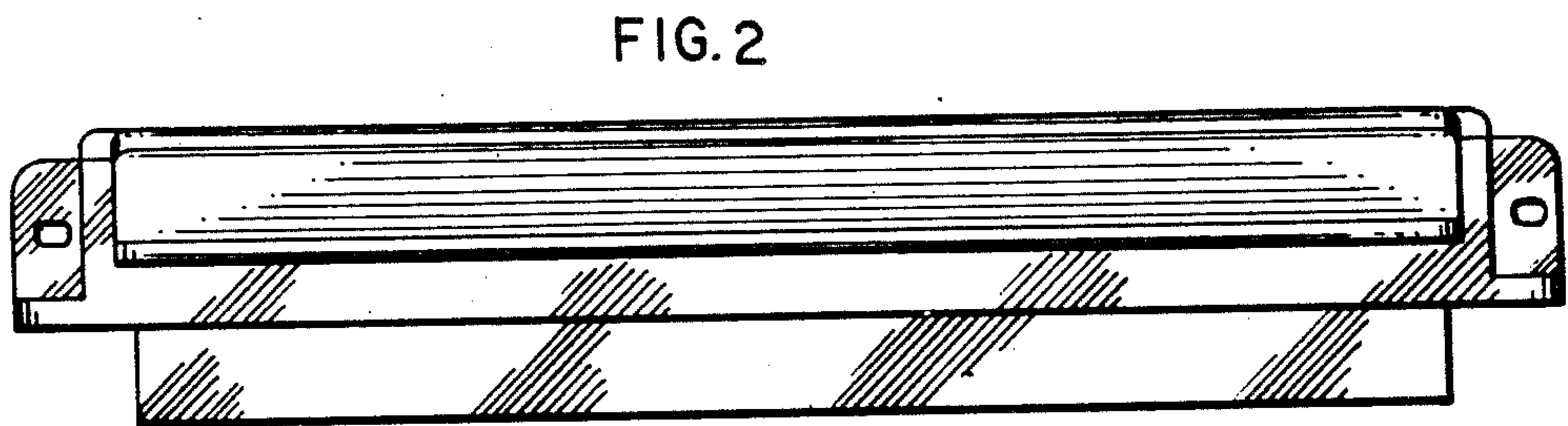
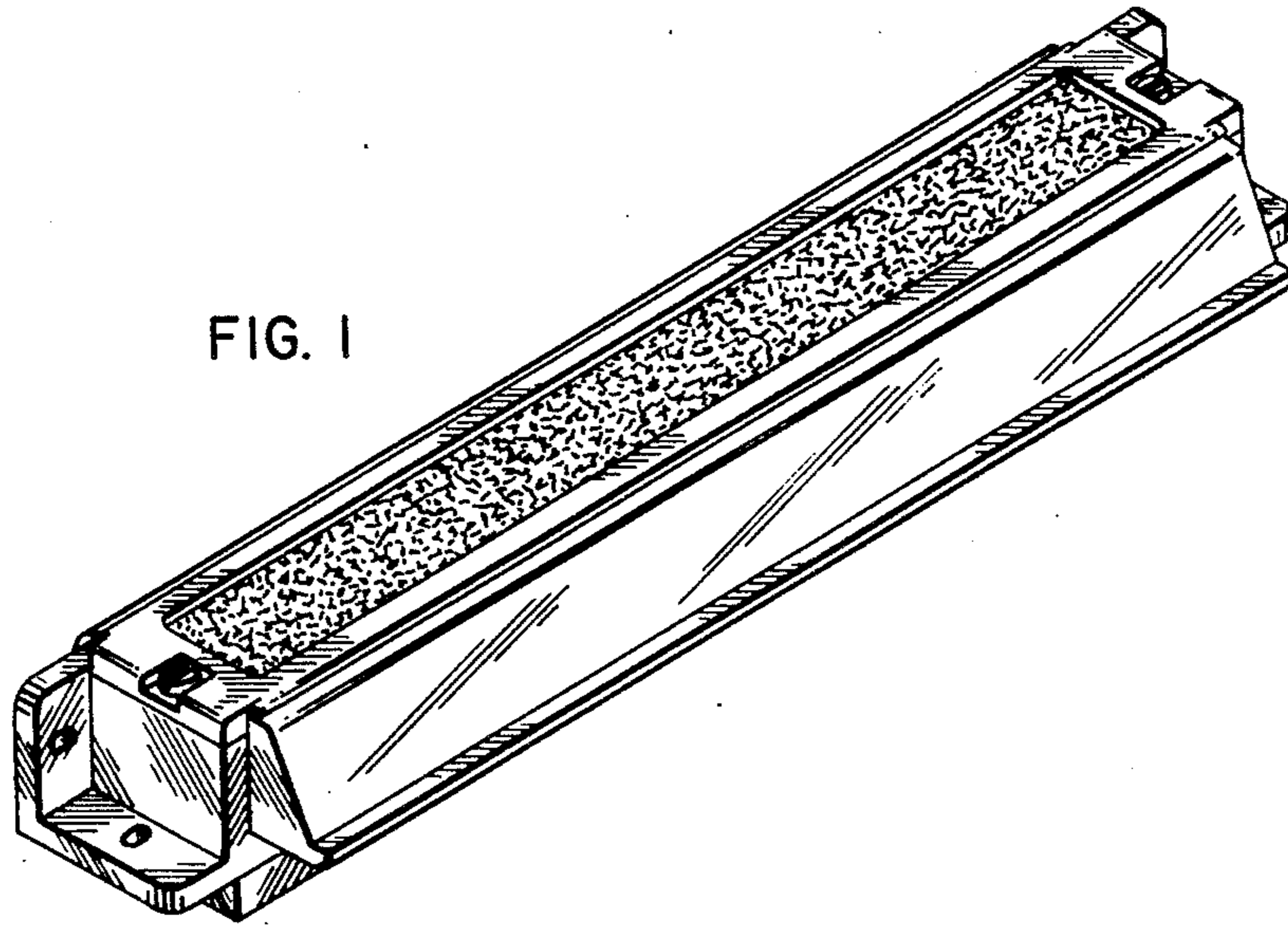
[57] CLAIM

The ornamental design for an electrical connector, as shown.

DESCRIPTION

FIG. 1 is a perspective view of an electrical connector showing our new design;  
FIG. 2 is a front elevational view thereof;  
FIG. 3 is a rear elevational view thereof;  
FIG. 4 is a right side elevational view thereof;  
FIG. 5 is a left side elevational view thereof;  
FIG. 6 is a top plan view thereof; and  
FIG. 7 is a bottom plan view thereof.





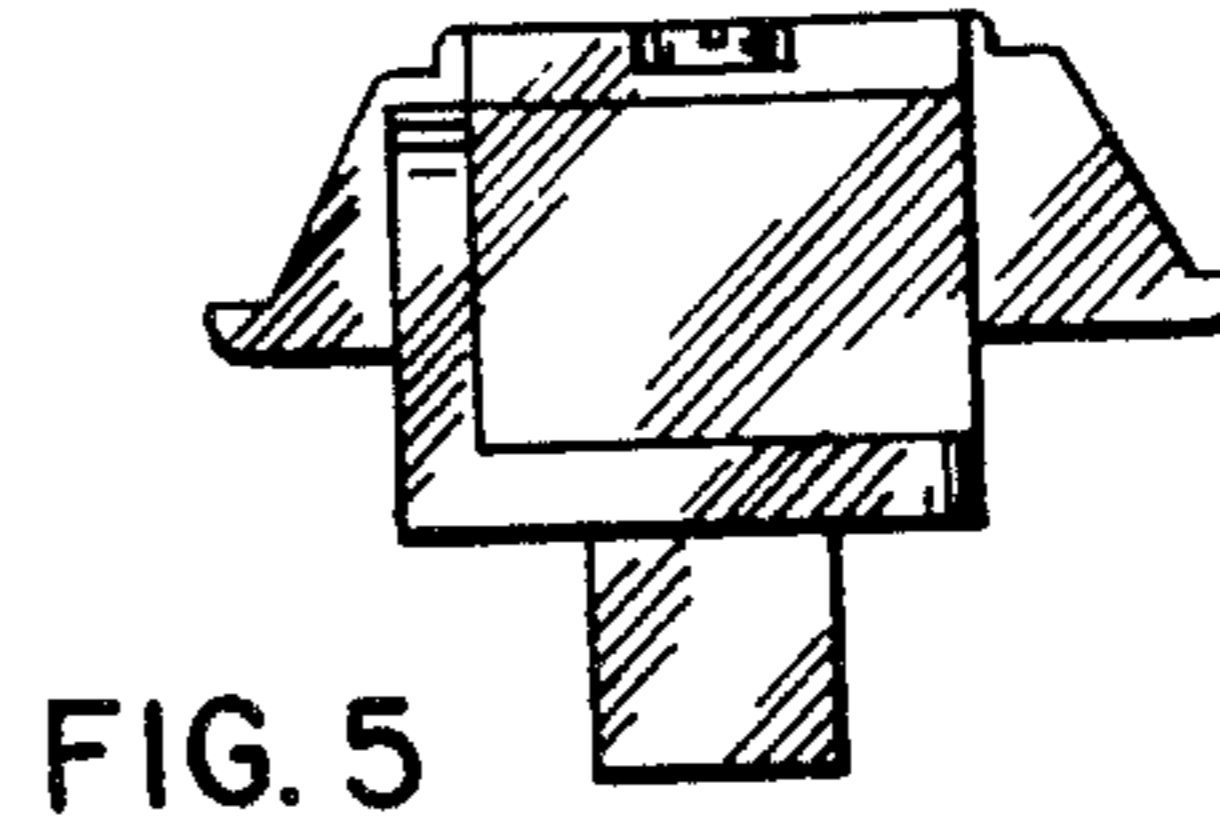
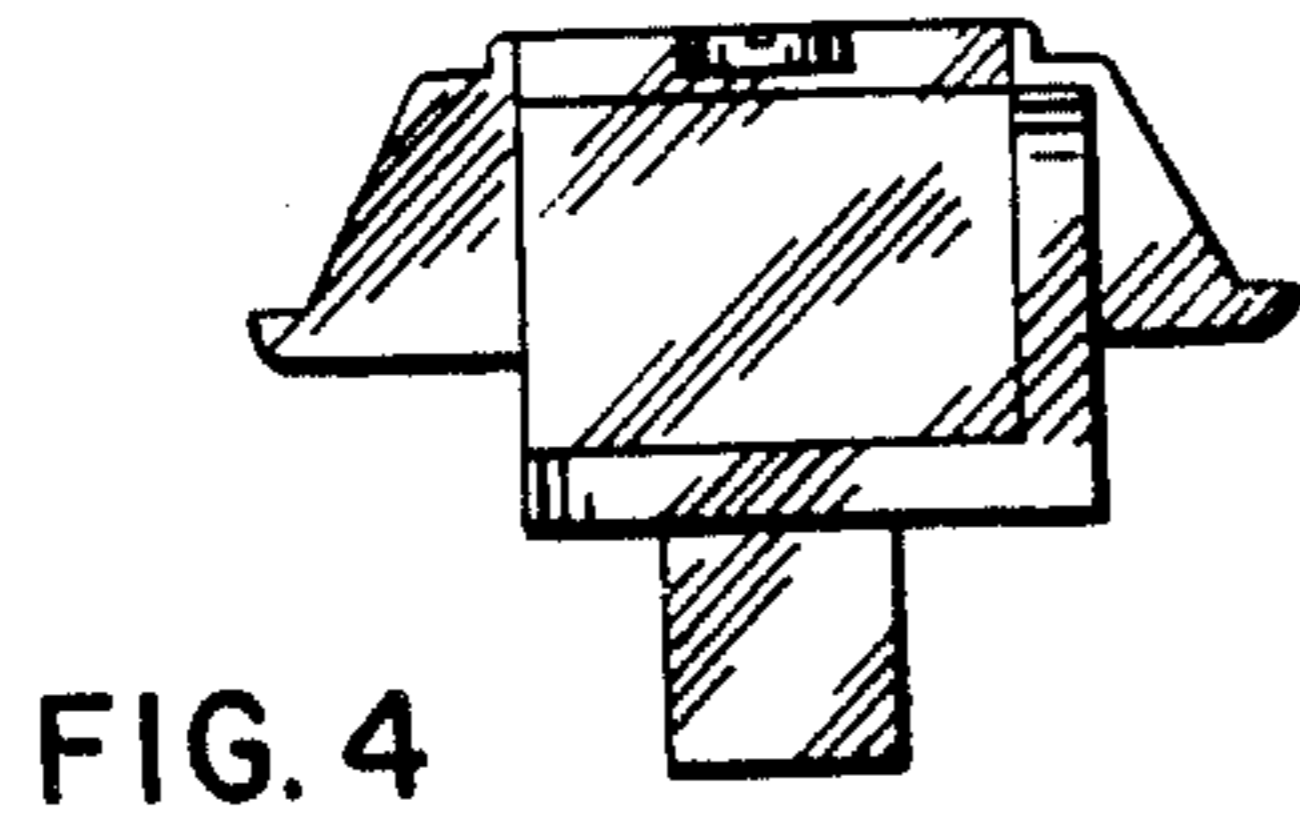


FIG. 6

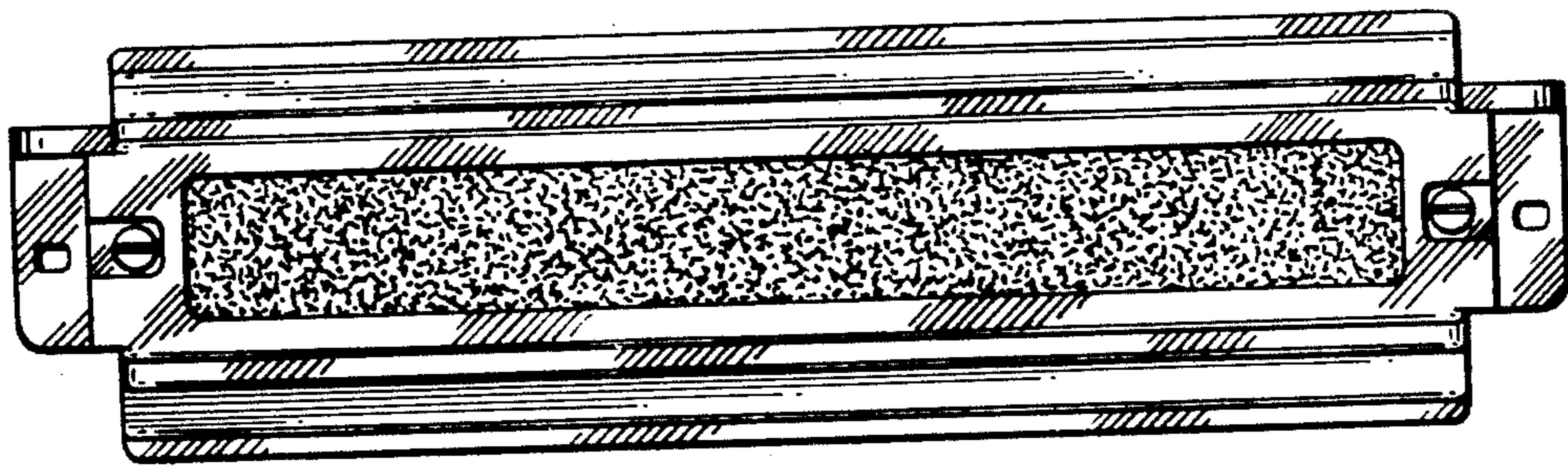


FIG. 7

