

[54] FLOWER POT

[76] Inventor: Charles Karotseris, 18 Roderick Ct., East Northport, N.Y. 11731

[**] Term: 3½ Years

[21] Appl. No.: 818,150

[22] Filed: Jul. 22, 1977

[51] Int. Cl. D11-02

[52] U.S. Cl. D11/143

[58] Field of Search D11/143-146, D11/148, 152-156, 164; D48/2; D7/4, 11, 13-15, 23, 29; 47/66, 69, 72, 83, 85-87, 41 R, 41 SS, 41.11, 41.12

[56] References Cited

U.S. PATENT DOCUMENTS

D. 101,290	9/1936	Schneider	D7/15
289,102	11/1883	Holden	D11/155
986,395	3/1911	King	D11/152
2,799,972	7/1957	Teixeira	47/66

Primary Examiner—Wallace R. Burke

Assistant Examiner—B. J. Bullock

Attorney, Agent, or Firm—Gregory J. Battersby

[57] CLAIM

The ornamental design for a flower pot, as shown.

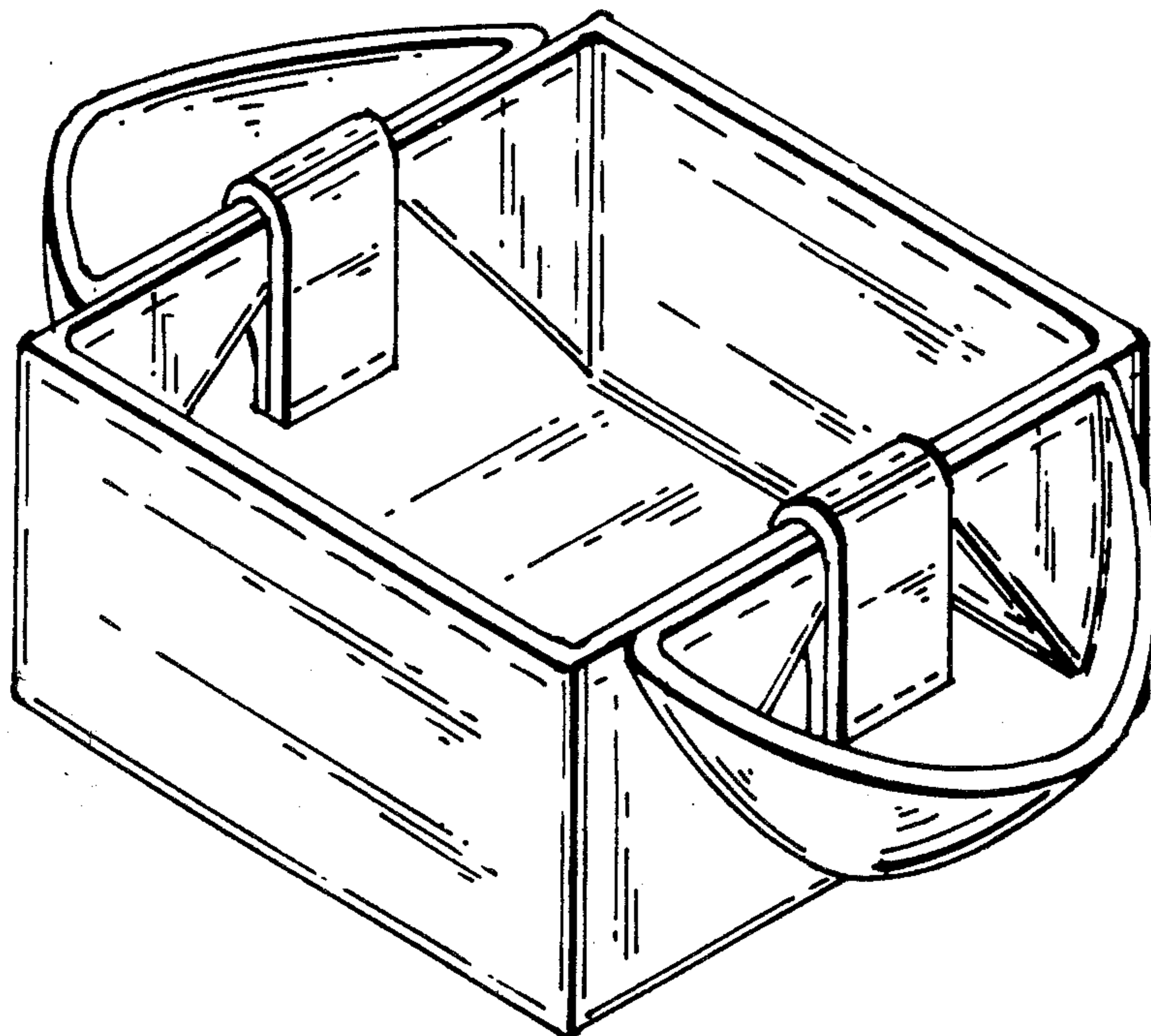
DESCRIPTION

FIG. 1 is a top plan view of a flower pot showing my new design;

FIG. 2 is a side elevational view thereof;

FIG. 3 is an end elevational view thereof;

FIG. 4 is a perspective view thereof.



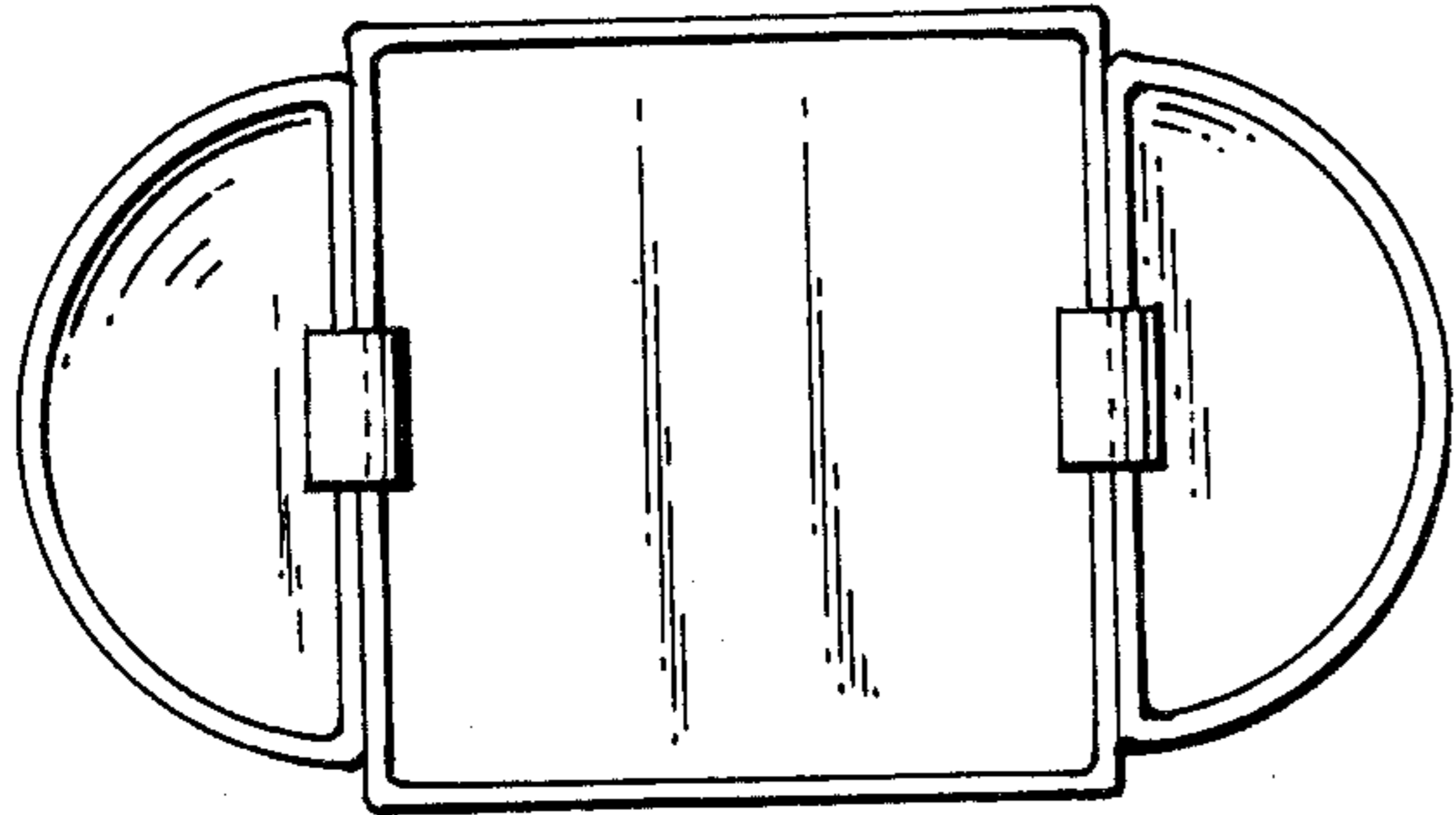


Fig. 1

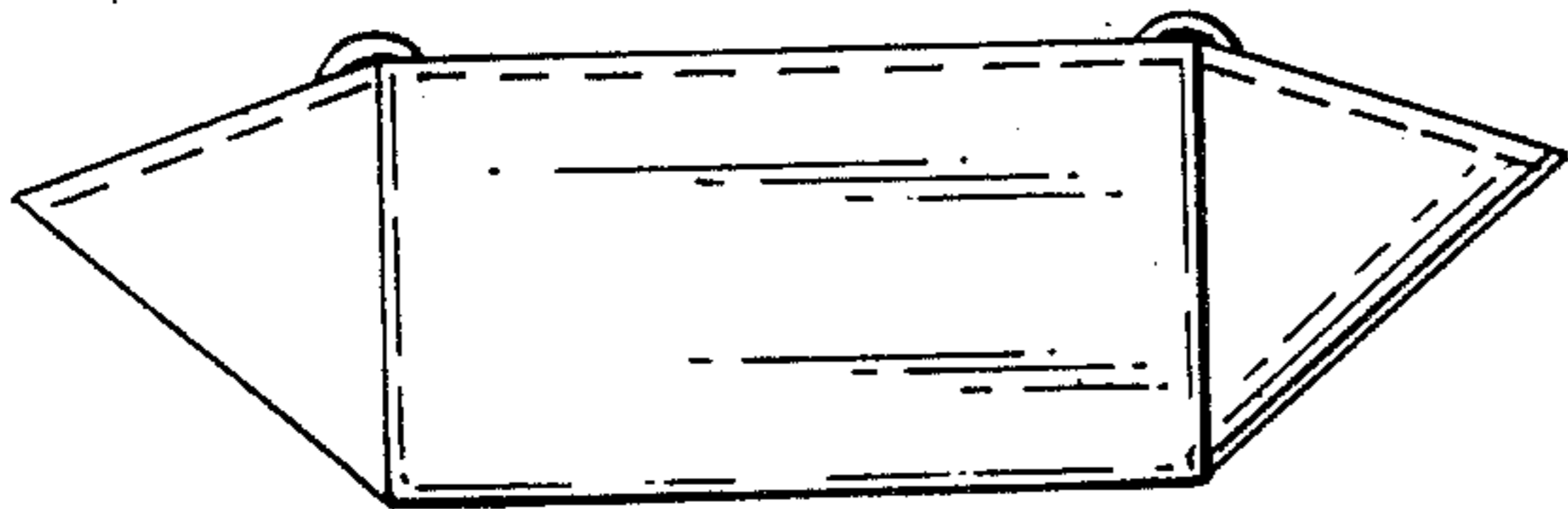


Fig. 2

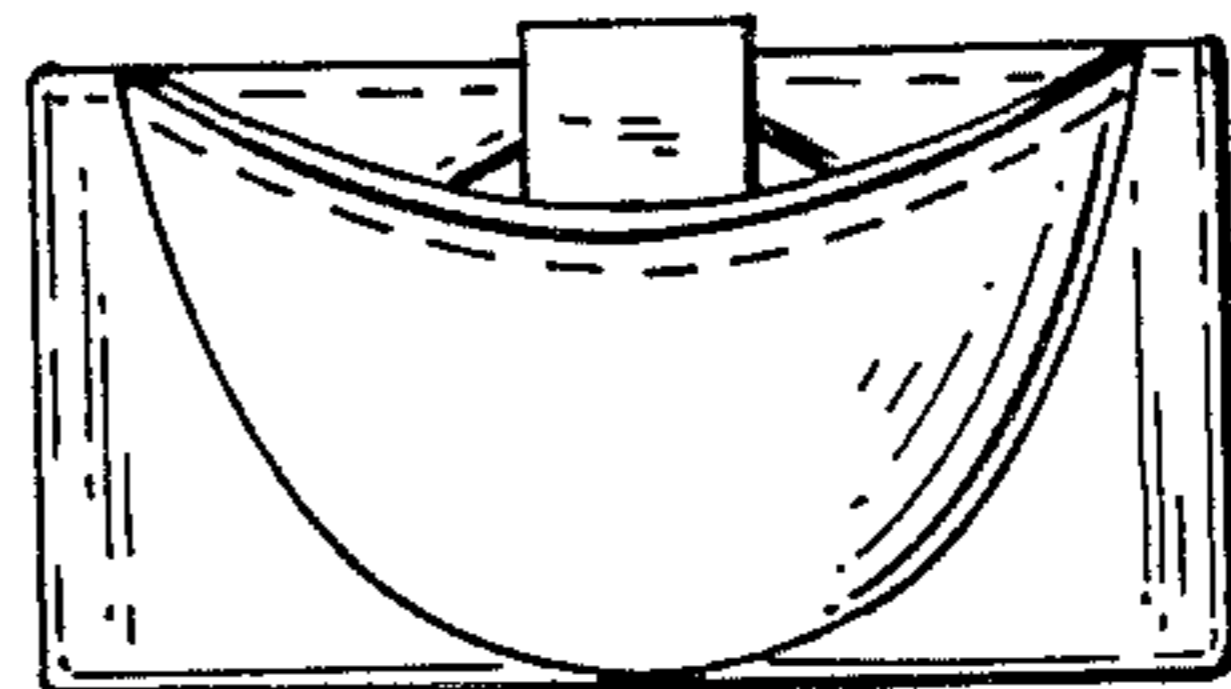


Fig. 3

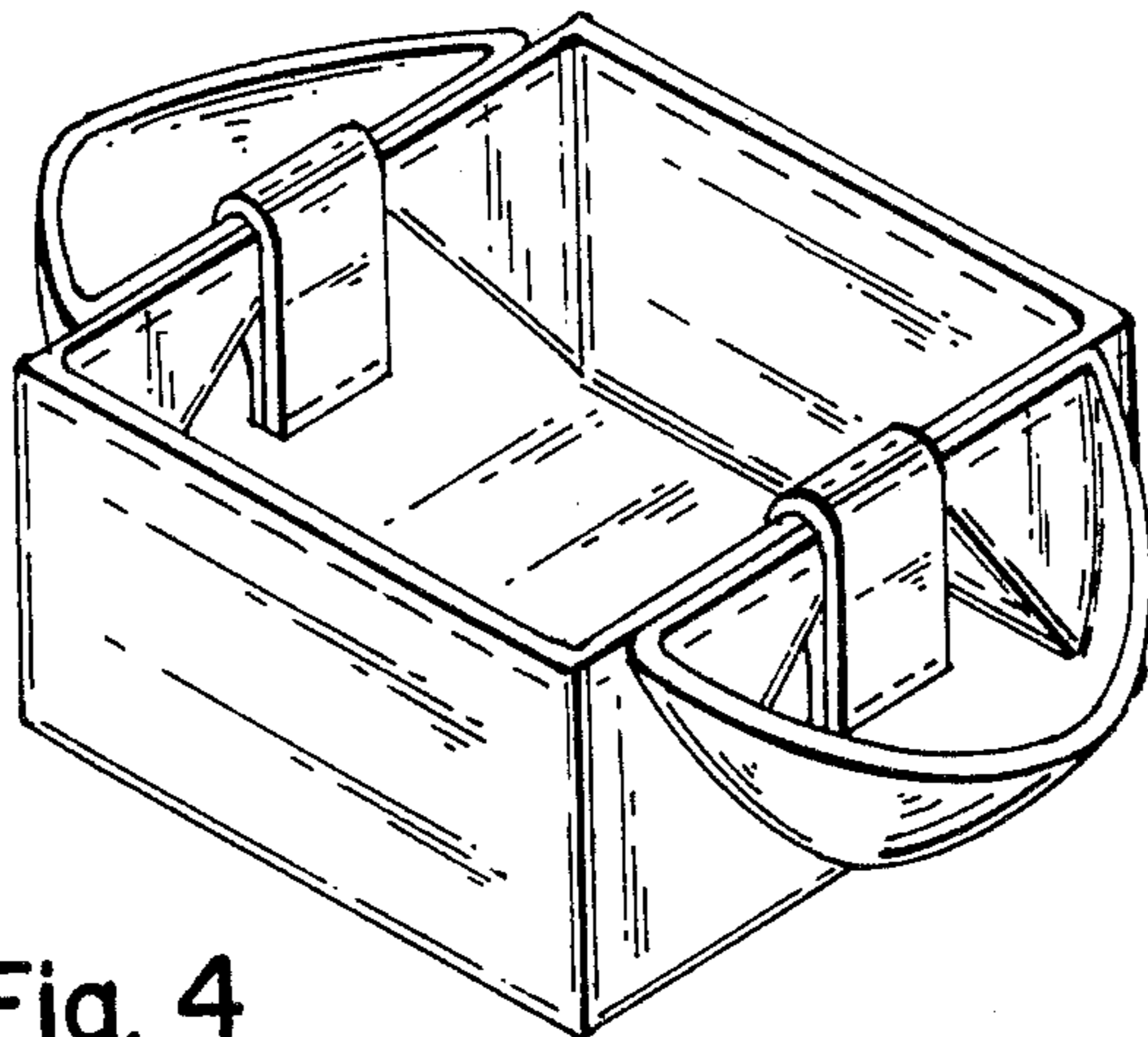


Fig. 4