

[54] FUNNEL
 [76] Inventor: Charles W. Lindquist, P.O. Box 133, Harvey, Ill. 60426
 [**] Term: 14 Years
 [21] Appl. No.: 804,913
 [22] Filed: Jun. 9, 1977
 [51] Int. Cl. D7-99
 [52] U.S. Cl. D7/68; D15/121
 [58] Field of Search D7/68, 47; D15/121, D15/92; 141/204, 331, 391; 210/445, 447, 479; 137/561 R; 222/460; D24/99

[56] **References Cited**
U.S. PATENT DOCUMENTS
 D. 230,629 3/1974 Camp et al. D7/68
 238,774 3/1881 Fletcher 141/86
 D. 244,171 5/1977 Pearce D7/68

436,666 9/1890 Lake 210/469
 463,473 11/1891 Beam 141/73
 2,791,148 5/1957 Maisch 86/31
 3,213,106 3/1964 Parhaniemi 141/204 UX

Primary Examiner—Bernard Ansher
 Attorney, Agent, or Firm—William E. Anderson

[57] CLAIM

The ornamental design for a funnel, as shown.

DESCRIPTION

FIG. 1 is a top perspective view of a funnel embodying my new design;
 FIG. 2 is a front elevational view of the funnel of FIG. 1.
 FIG. 3 is a top plan view of the funnel of FIG. 1.
 FIG. 4 is a rear elevational view of the funnel of FIG. 1.
 FIG. 5 is a side elevational view of the funnel of FIG. 1.
 FIG. 6 is a bottom plan view of the funnel of FIG. 1.

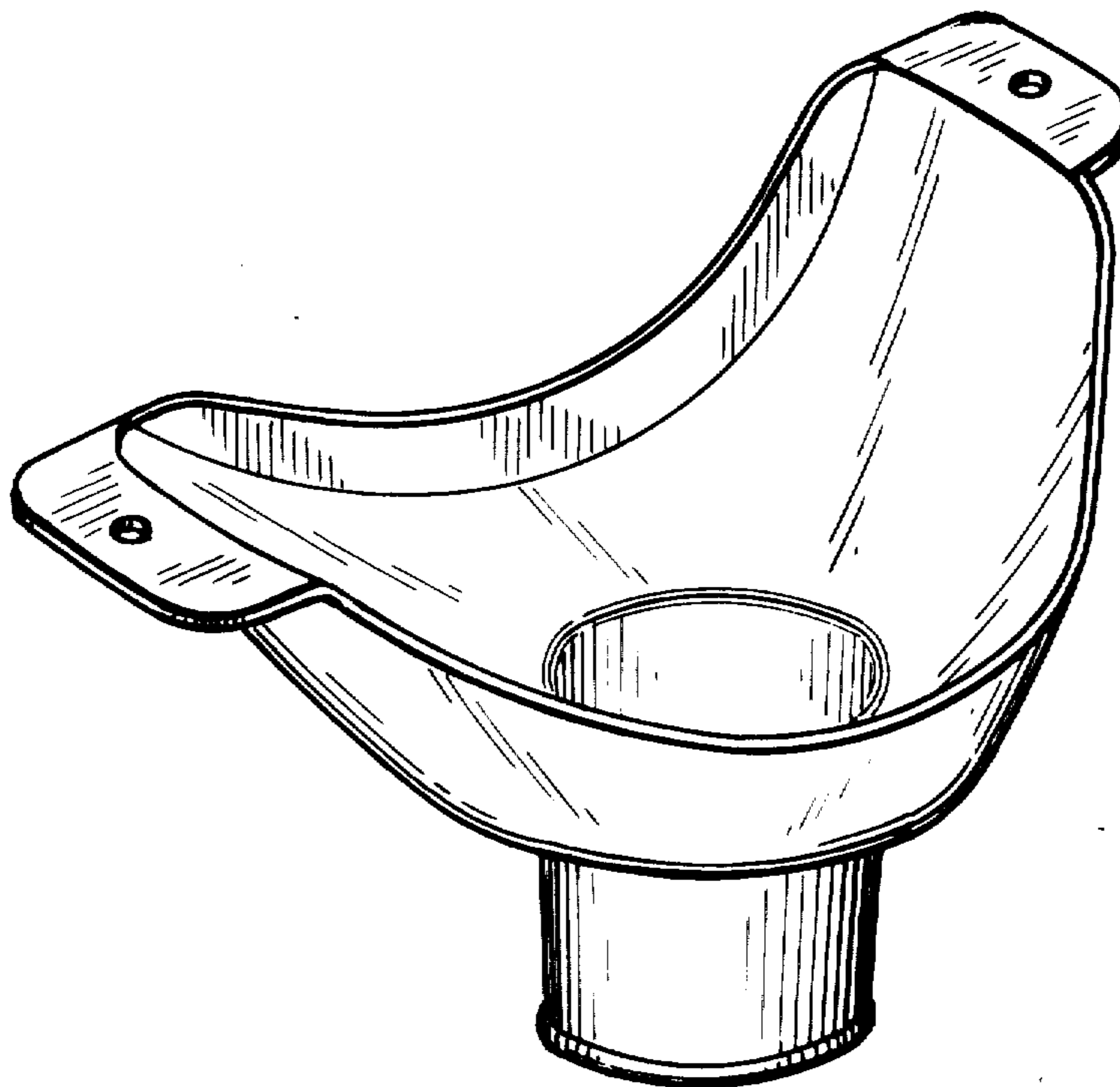


Fig. 1.

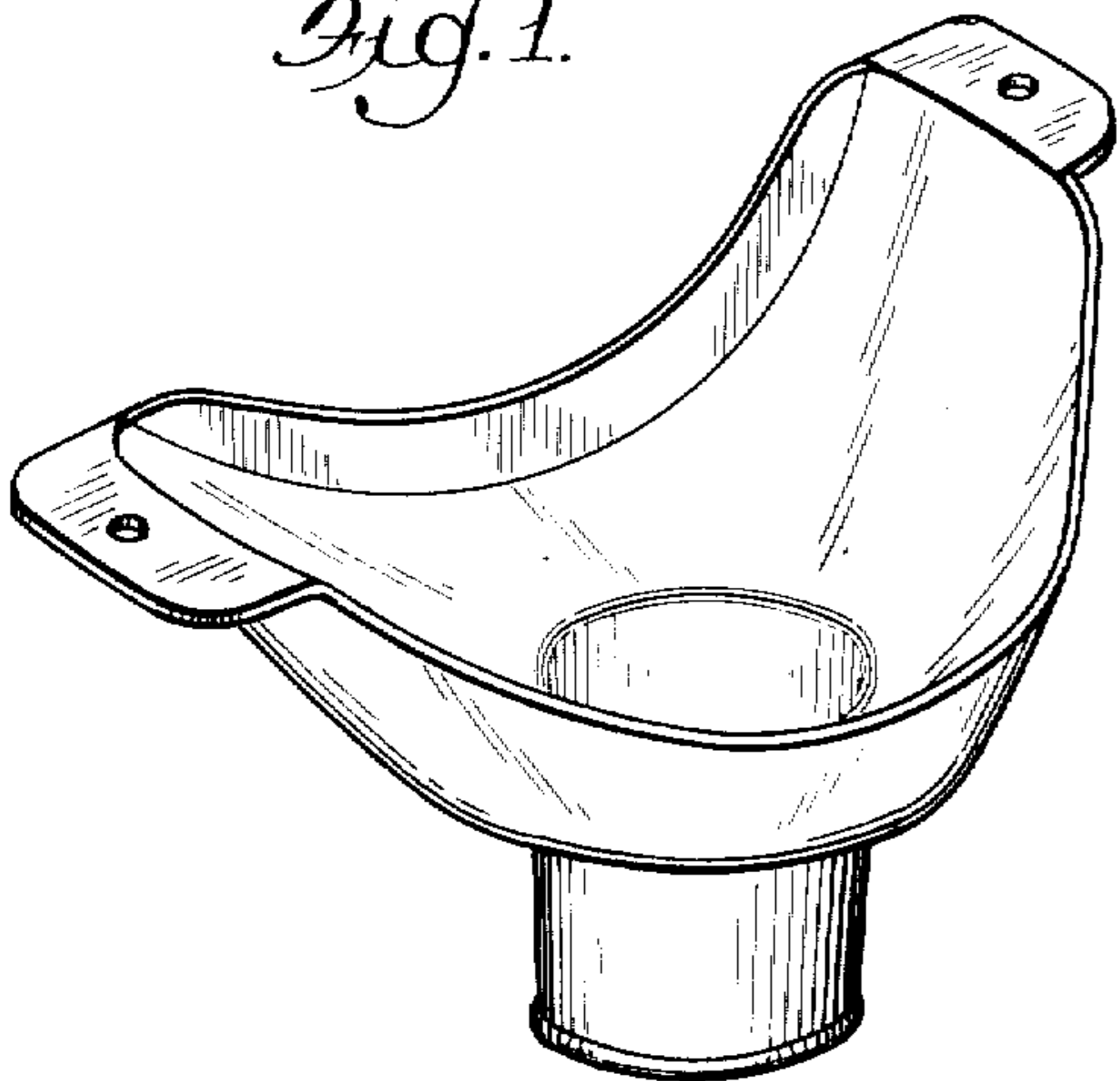


Fig. 2.

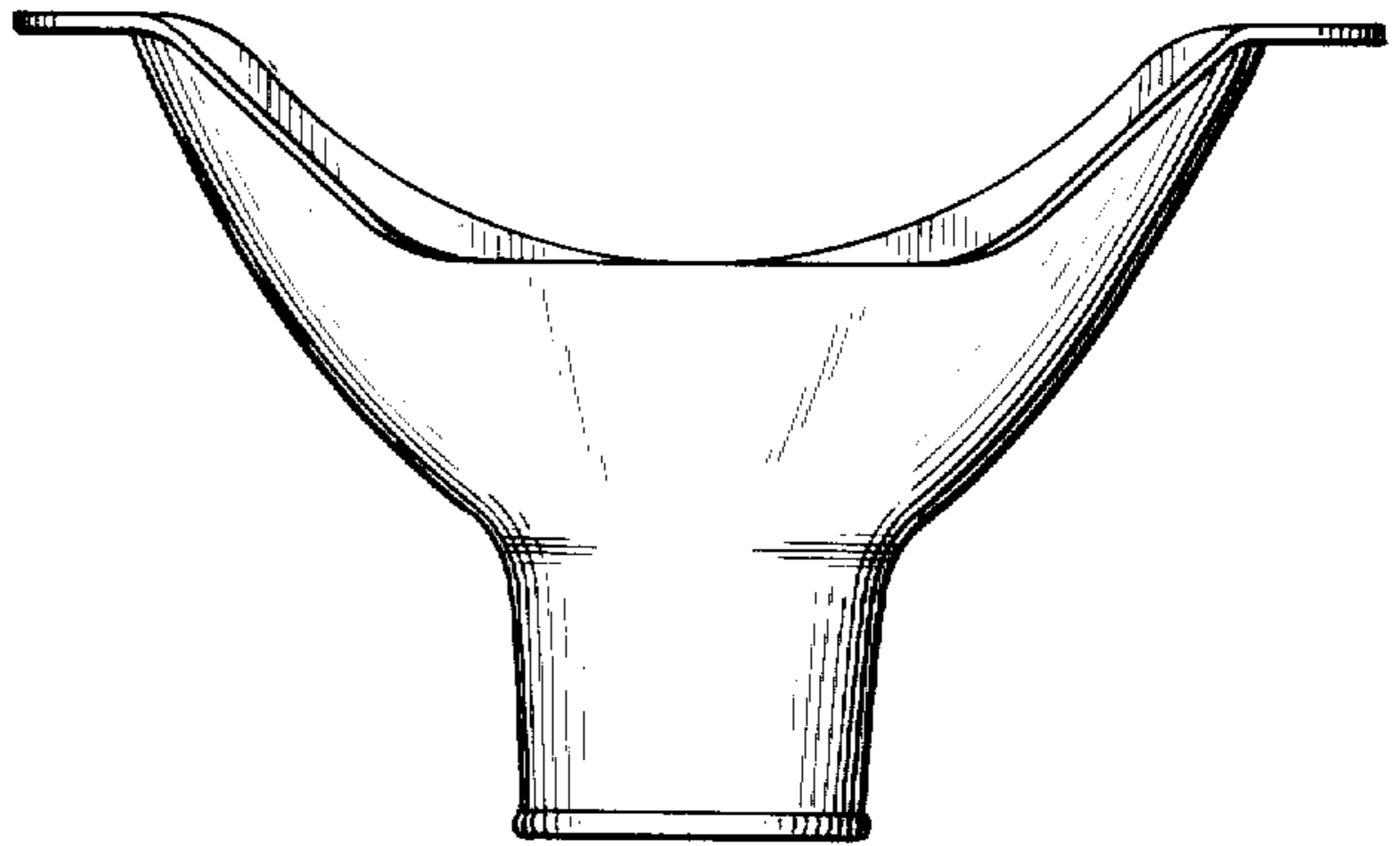


Fig. 3.

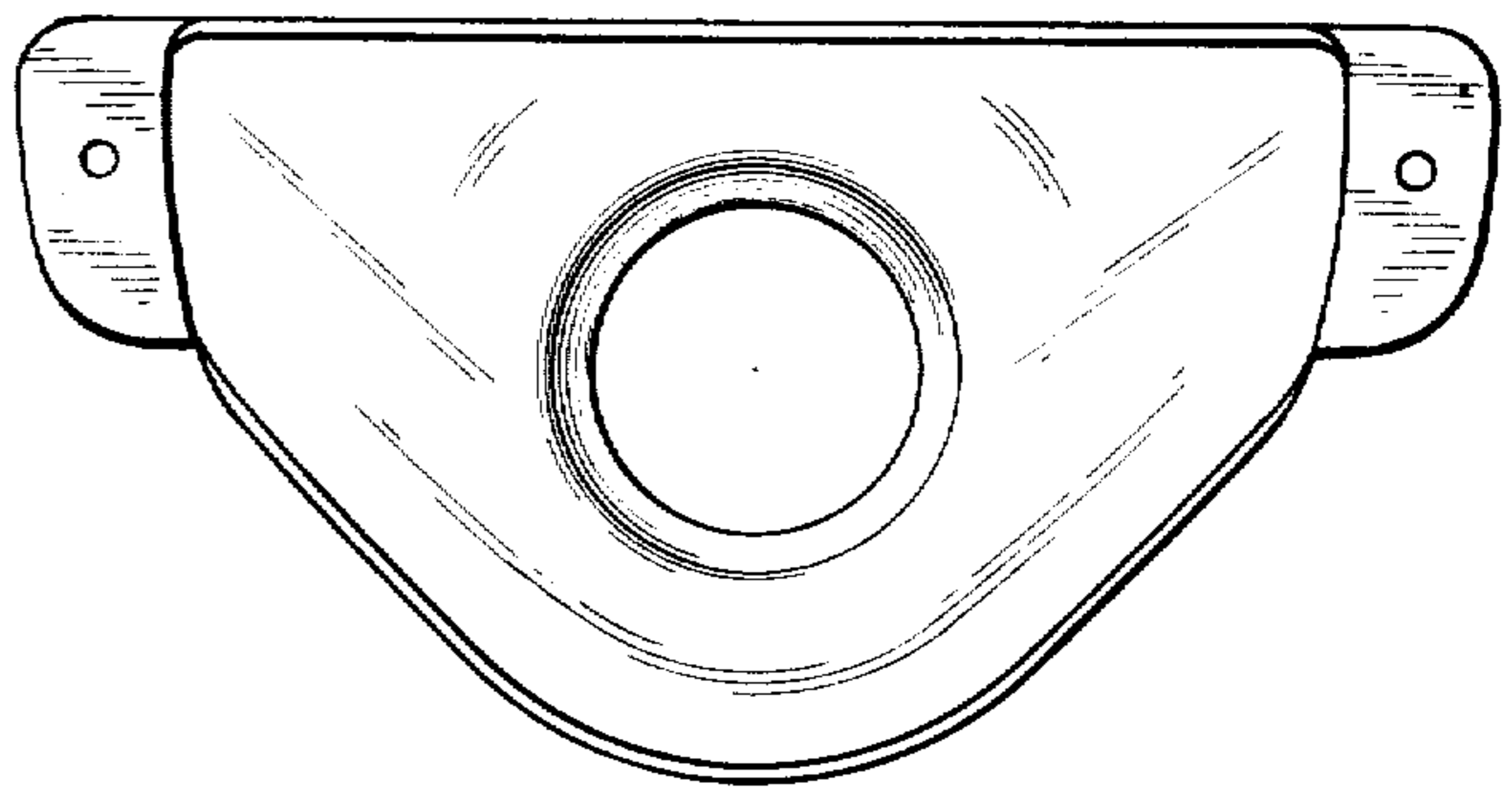


Fig. 5.

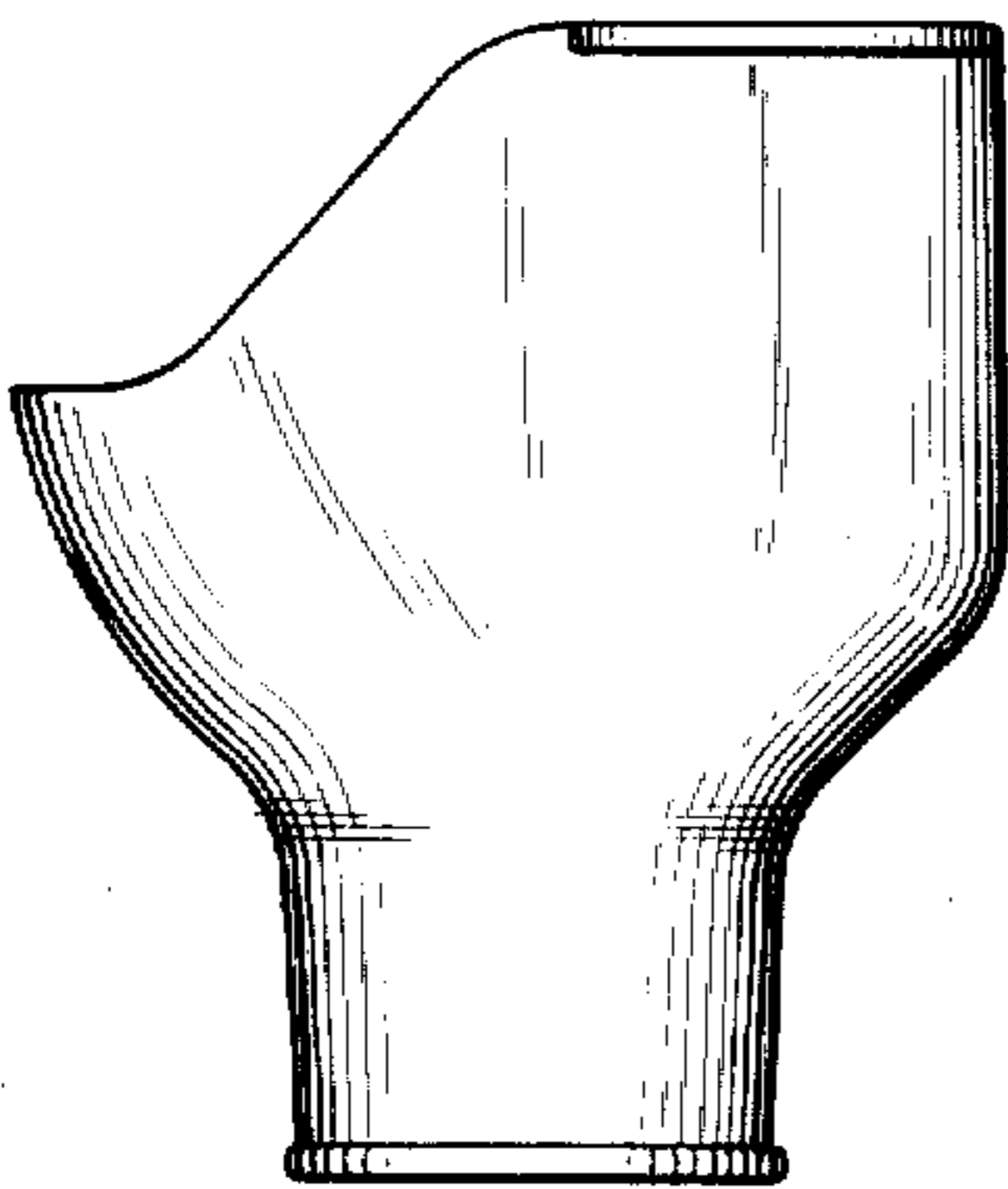


Fig. 4.

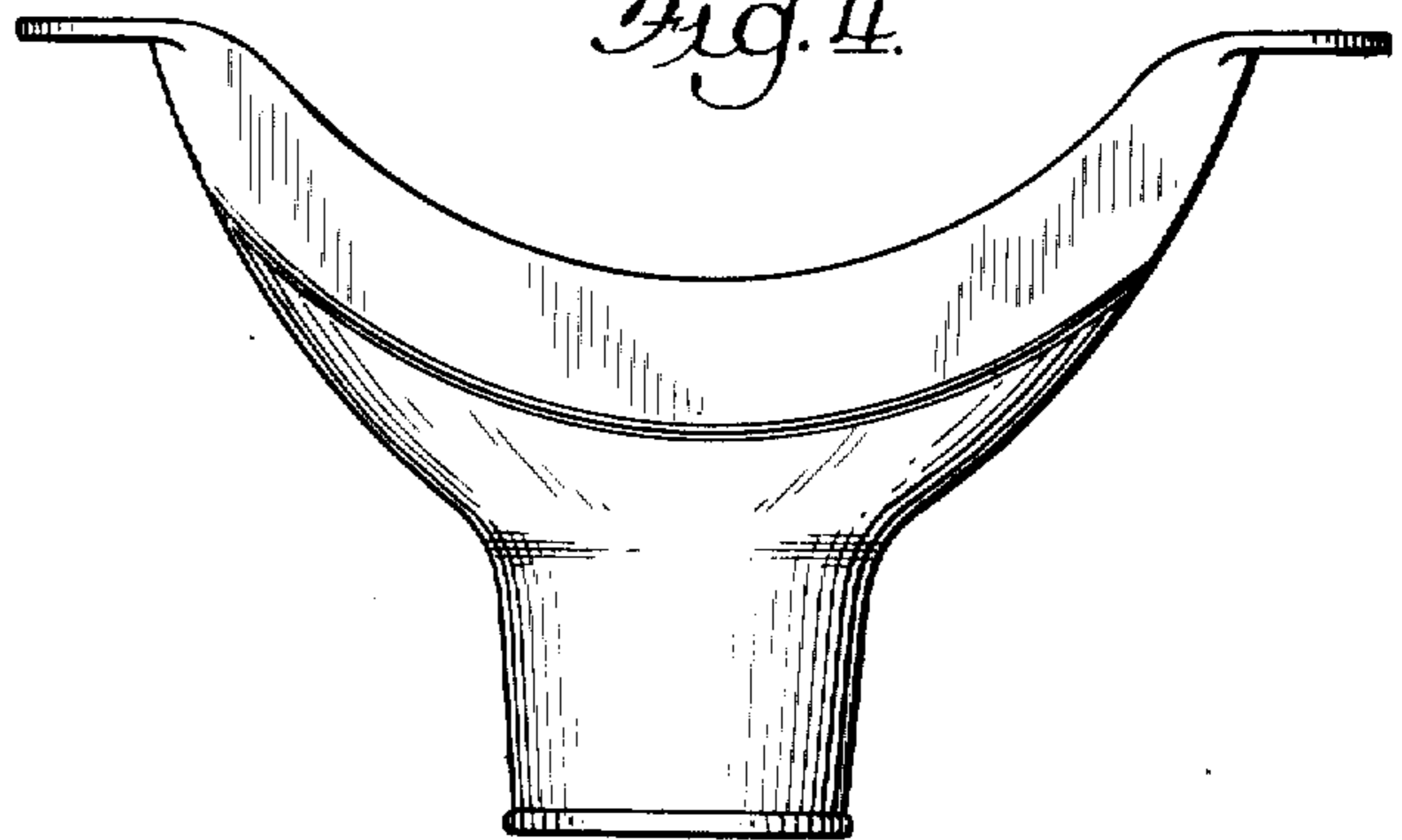


Fig. 6.

