

[54] WALL MOUNTED MODULAR TRAY

[75] Inventor: John A. Bridges, Nashville, Tenn.

[73] Assignee: Aladdin Industries, Incorporated, Chicago, Ill.

[\*\*] Term: 14 Years

[21] Appl. No.: 760,090

[22] Filed: Jan. 17, 1977

[51] Int. Cl. .... D6-04; D20-02

[52] U.S. Cl. .... D6/136; D6/188

[58] Field of Search .... D6/85, 114, 125, 127, D6/130-132, 136, 167, 172, 189, 191, 188; 211/87, 90, 153; D19/92

[56] References Cited

U.S. PATENT DOCUMENTS

D. 30,012 1/1899 Roberts ..... D6/189

D. 136,660 11/1943 Kiser ..... D19/92  
D. 228,598 10/1973 Mattheis ..... D6/132  
D. 244,658 6/1977 Turner ..... D19/92

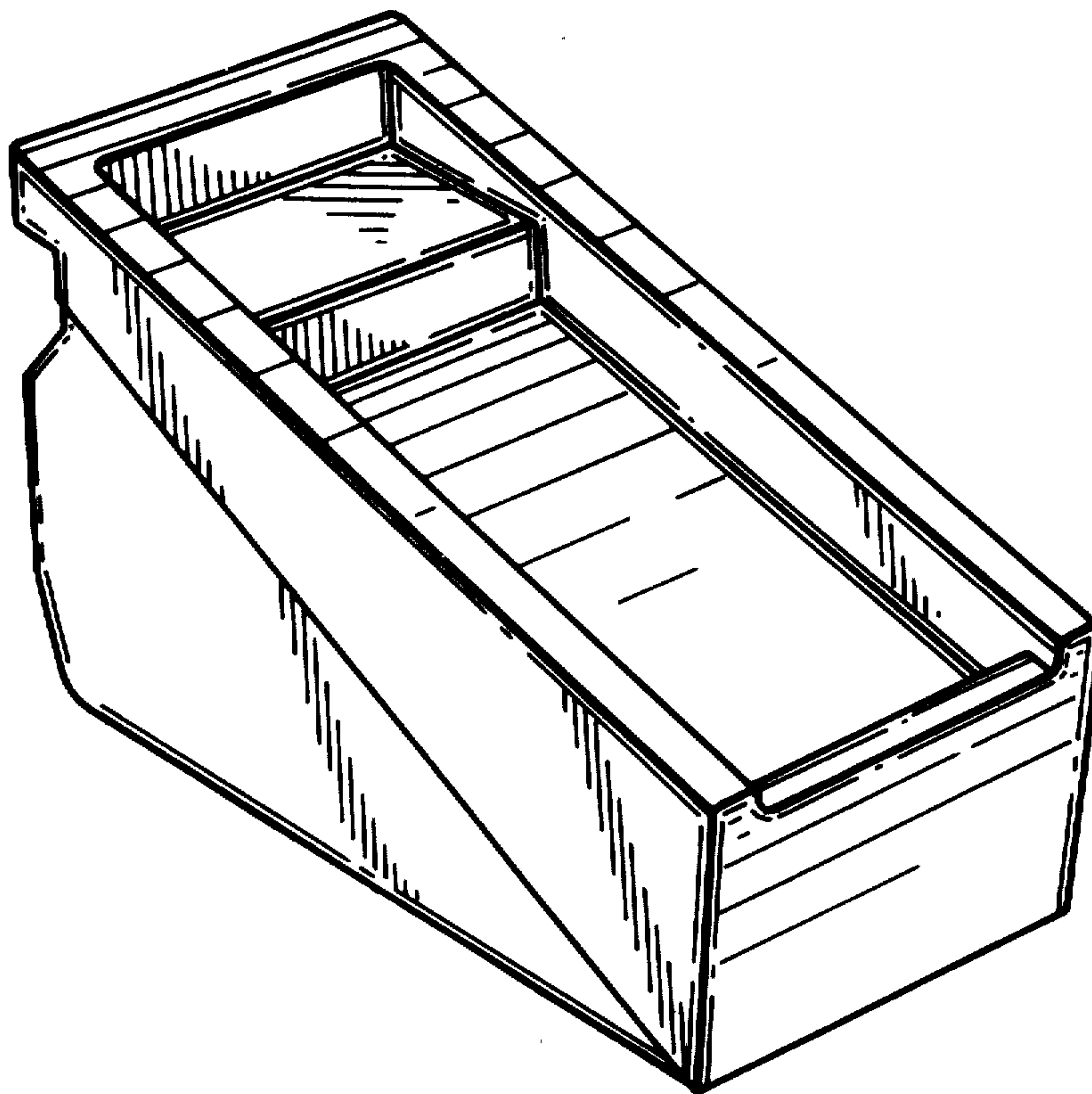
Primary Examiner—Wallace R. Burke  
Assistant Examiner—B. J. Bullock  
Attorney, Agent, or Firm—Dugald S. McDougall

[57] CLAIM

The ornamental design for a wall mounted modular tray, as shown and described.

DESCRIPTION

FIG. 1 is a perspective view of a wall mounted modular tray showing my new design;  
FIG. 2 is a top plan view thereof;  
FIG. 3 is a side elevational view thereof;  
FIG. 4 is a front elevational view thereof;  
FIG. 5 is a rear elevational view thereof;  
FIG. 6 is a bottom plan view thereof; and  
FIG. 7 is a sectional view taken on line 7-7 of FIG. 4.



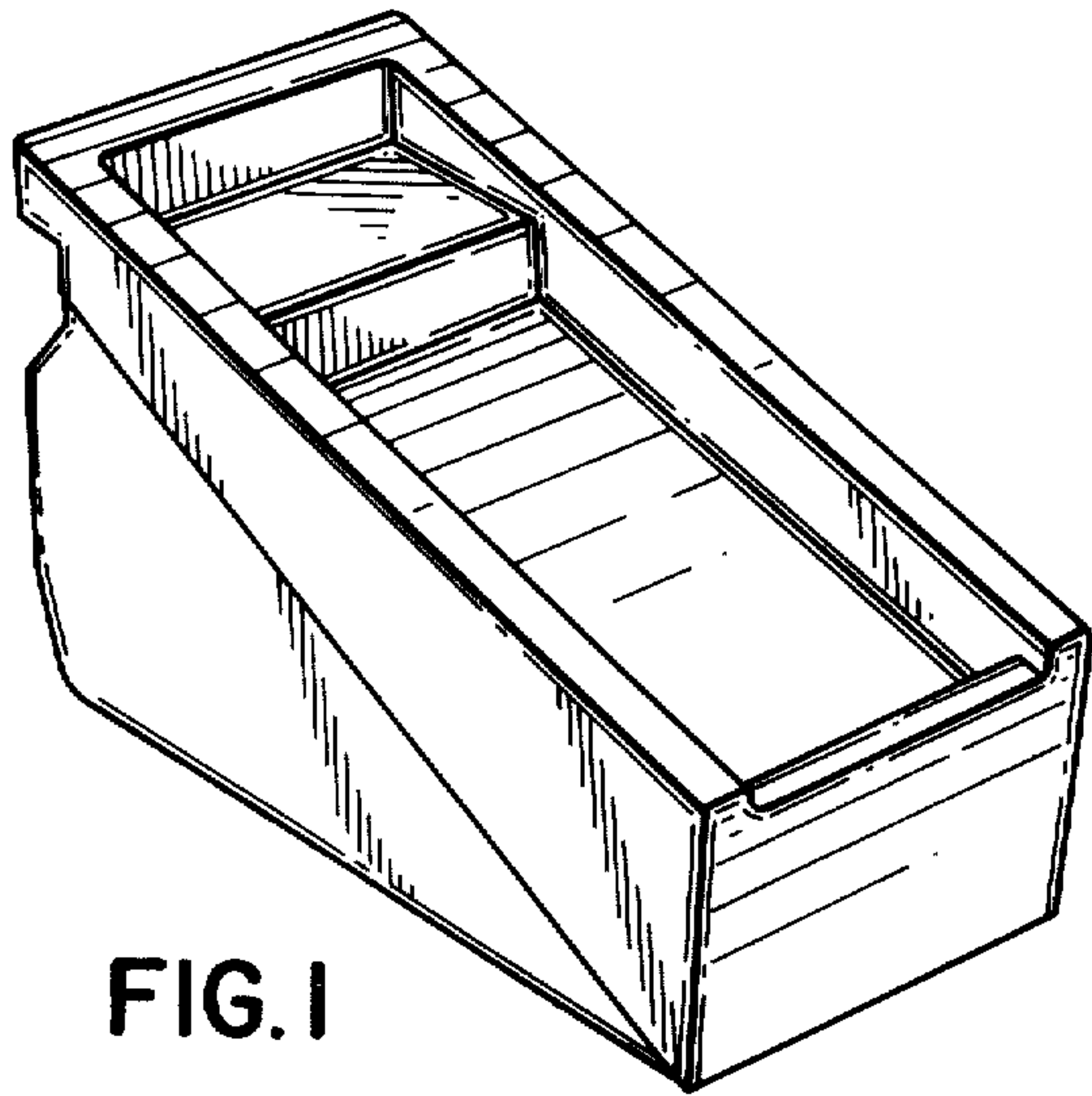


FIG. 1

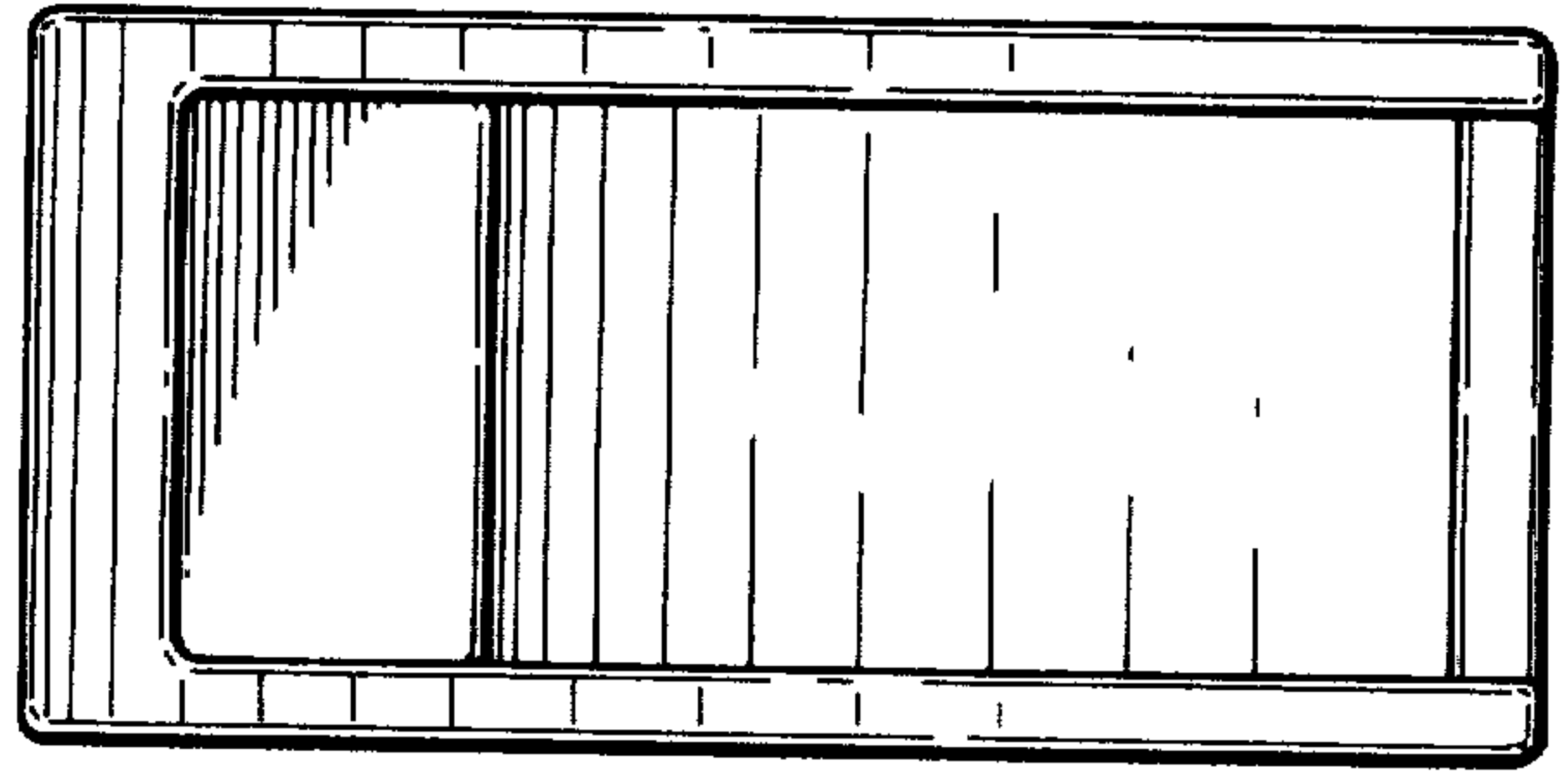


FIG. 2

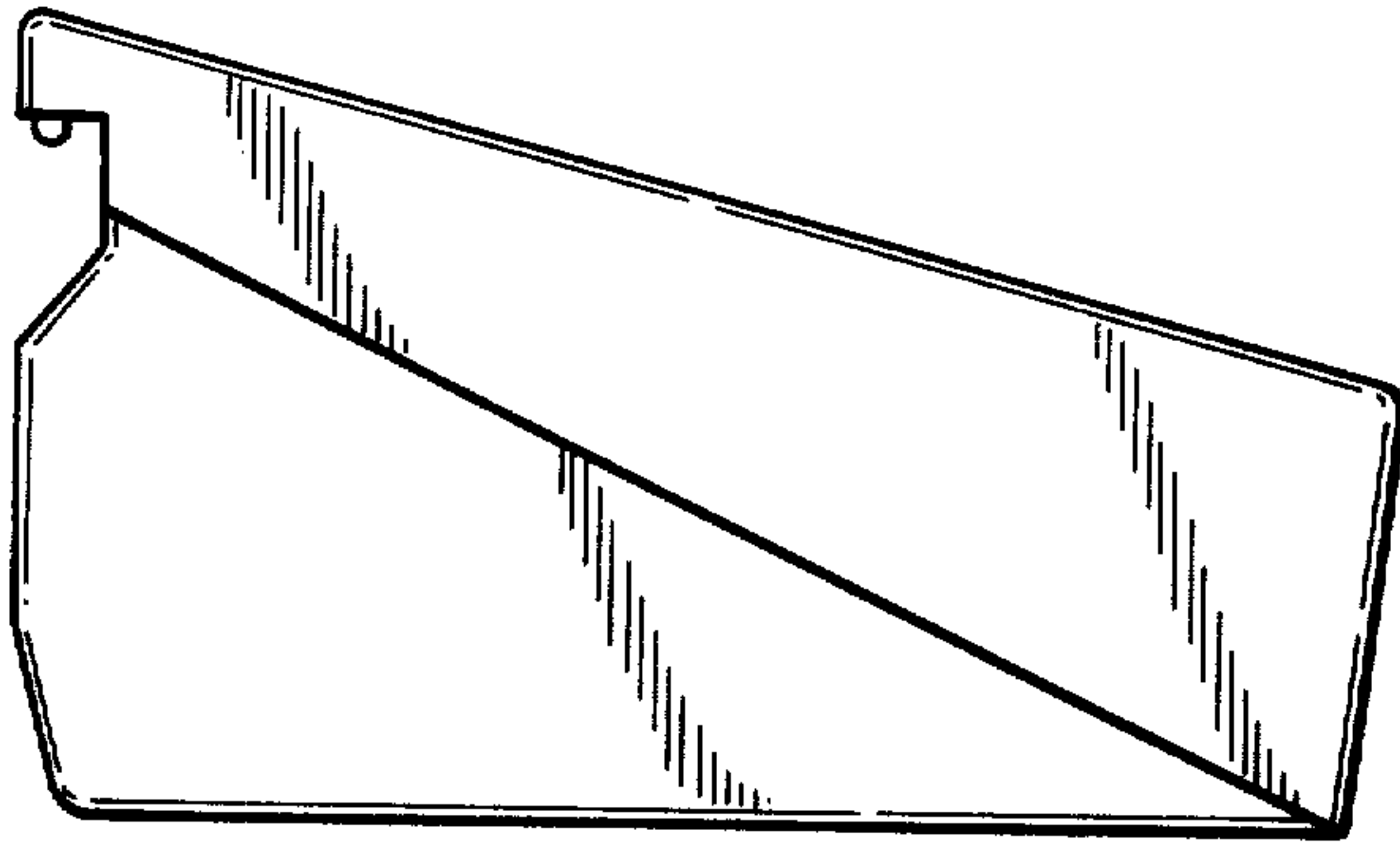


FIG. 3

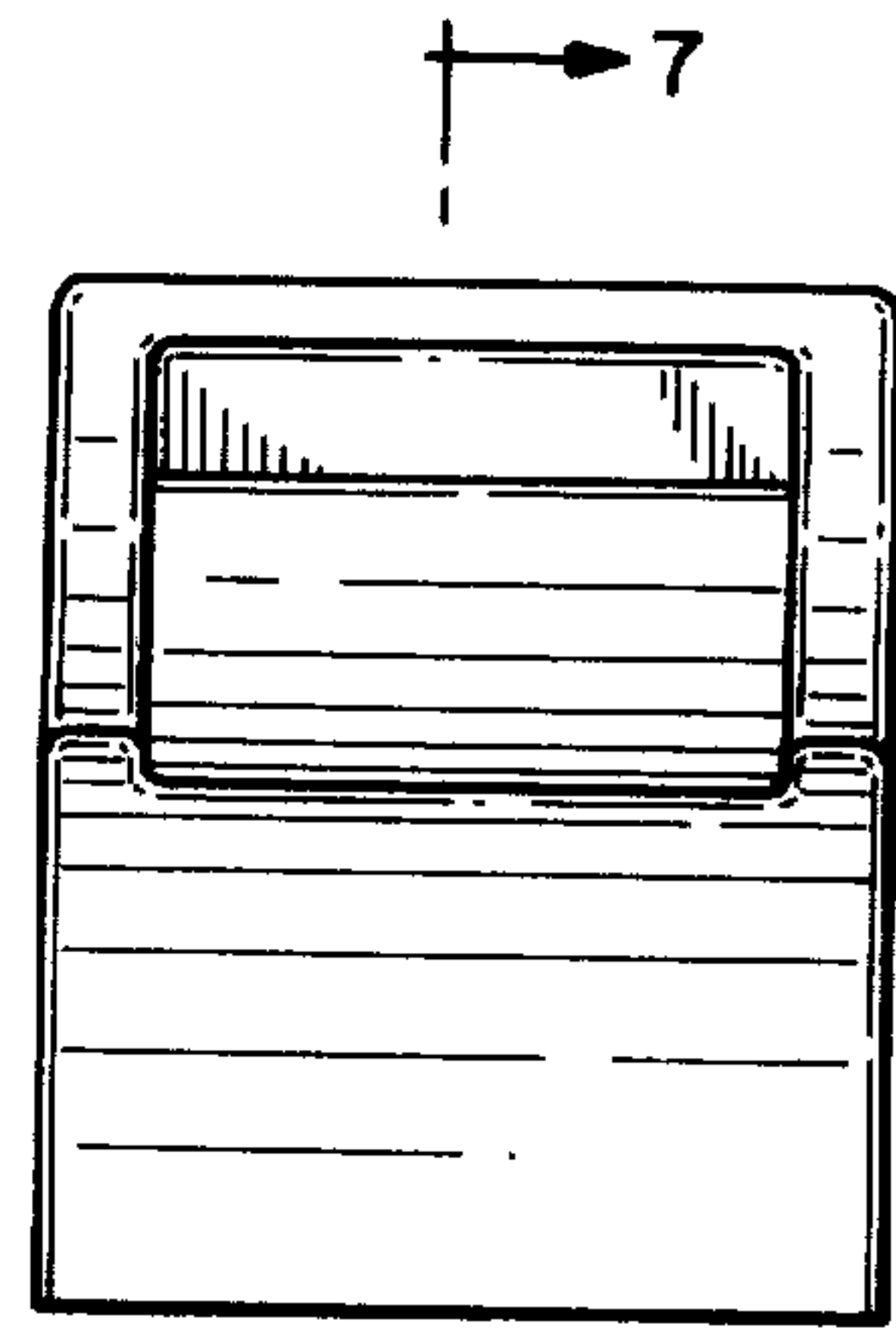


FIG. 4

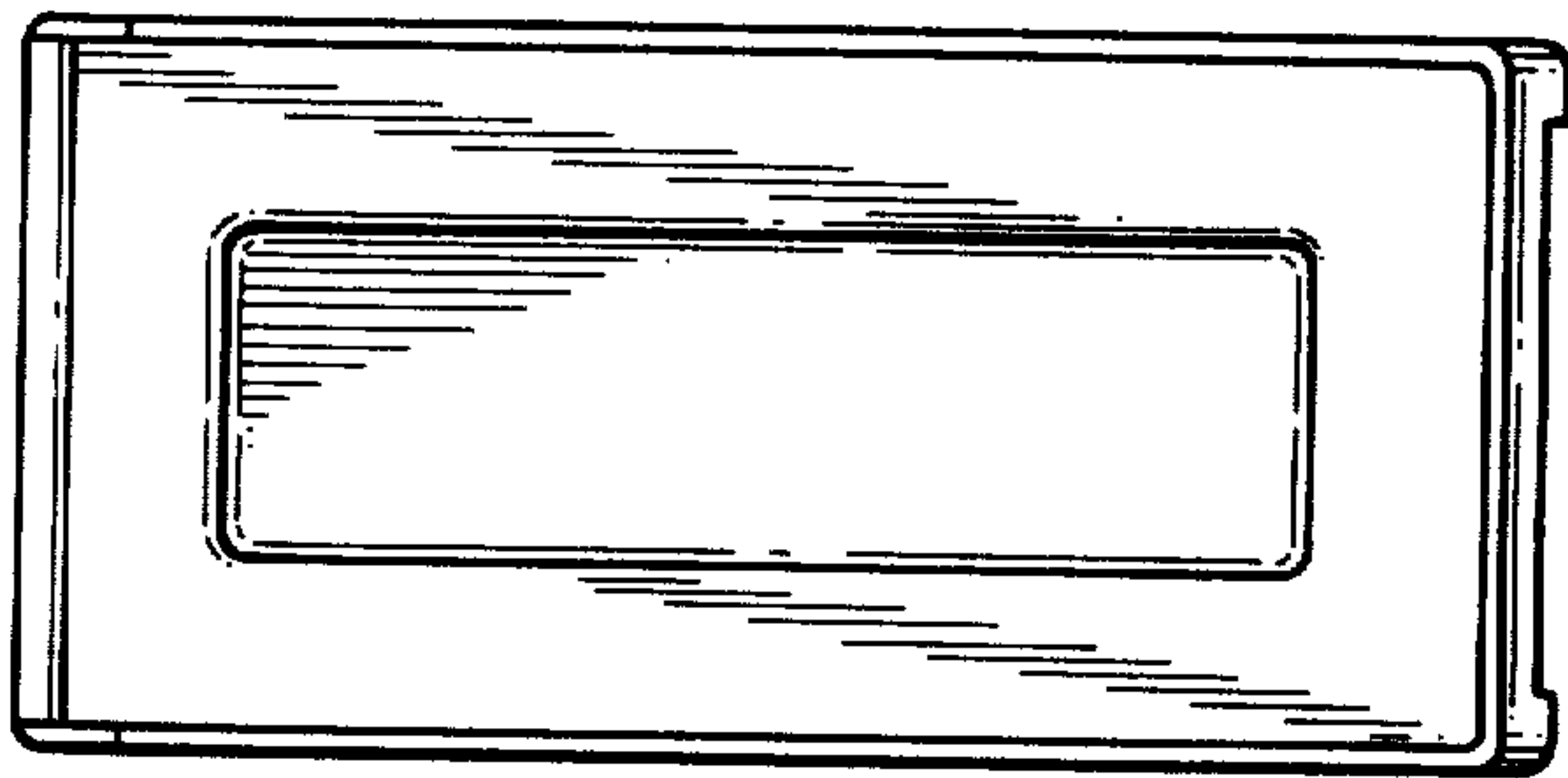


FIG. 6

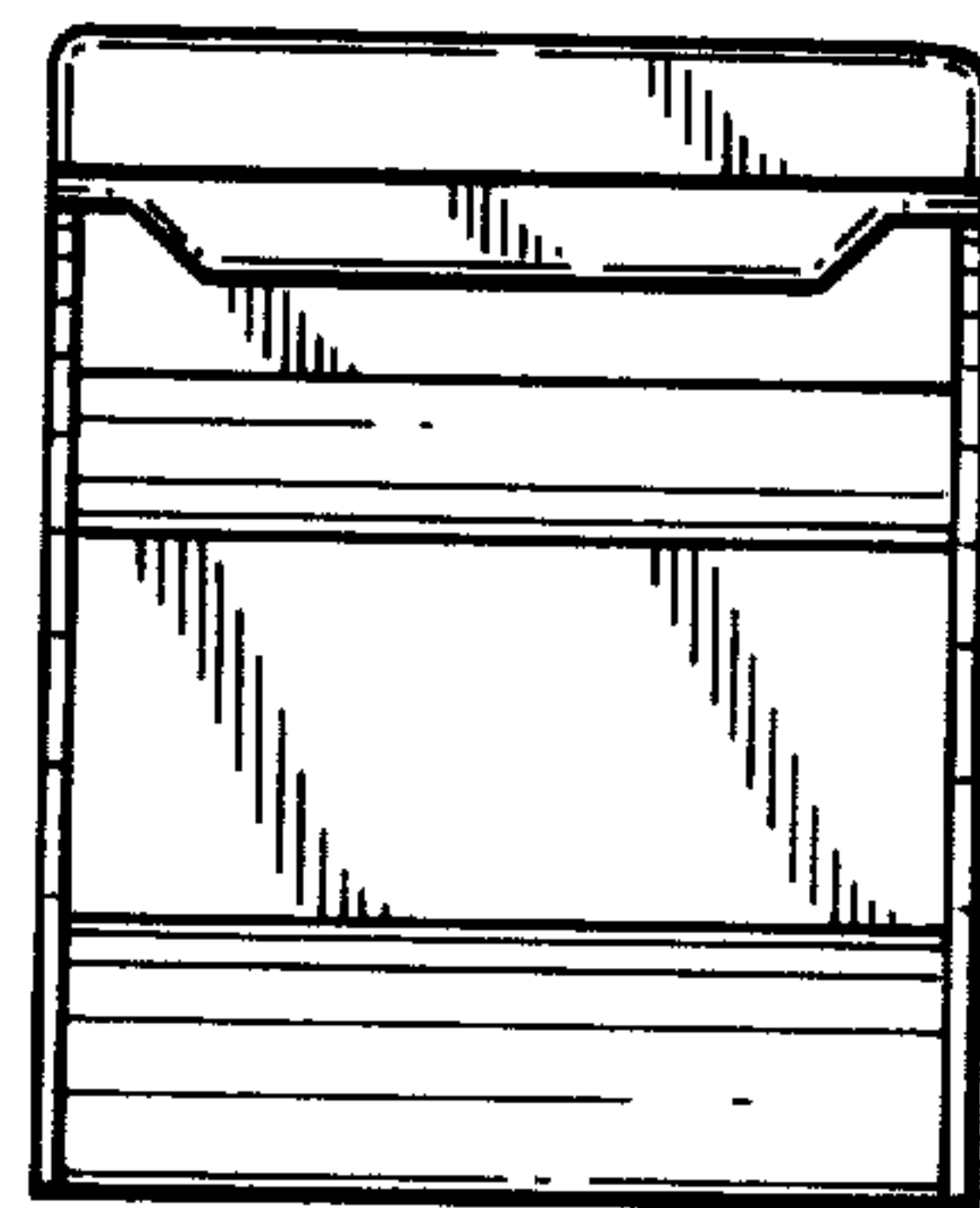


FIG. 5

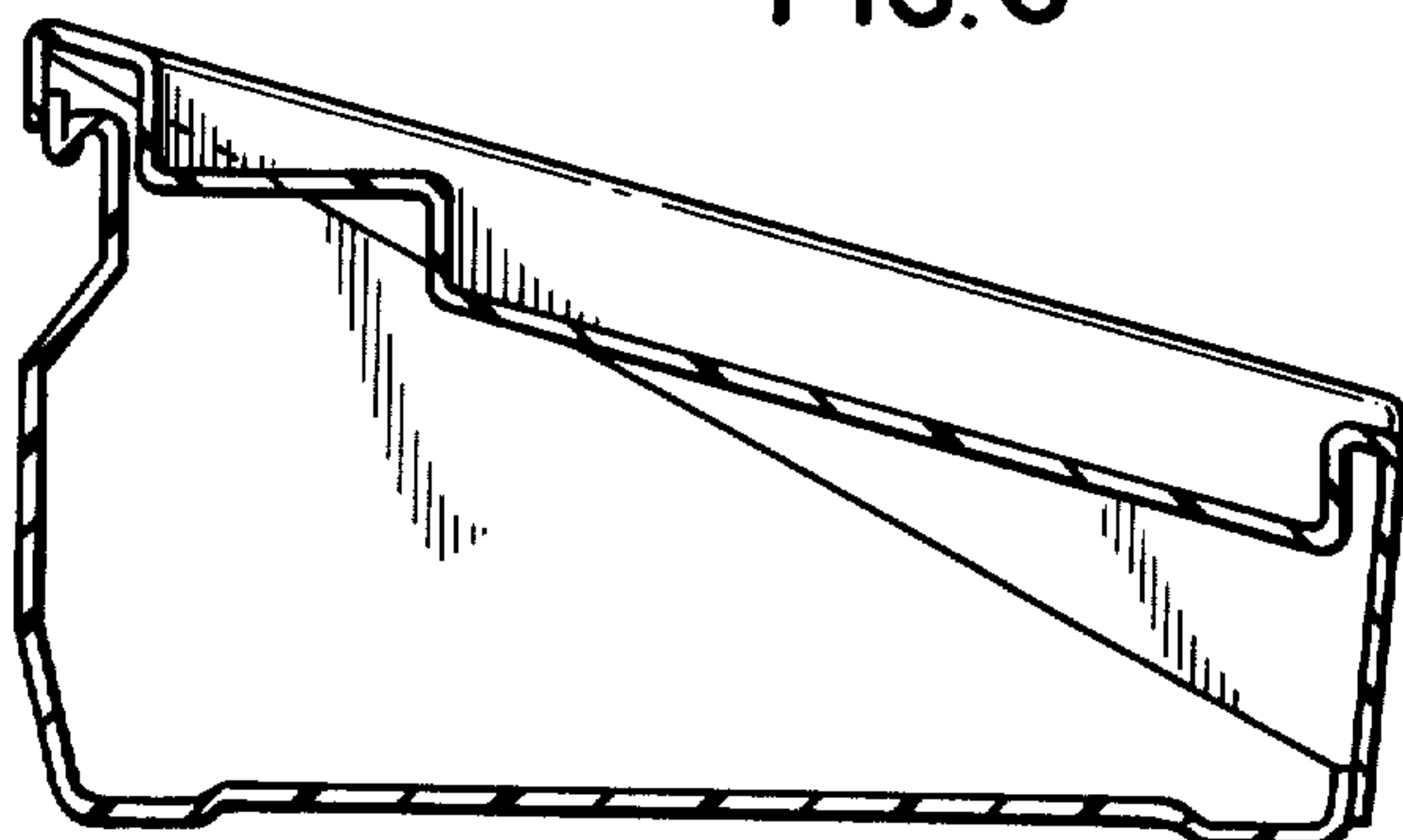


FIG. 7