

[54] TAPE CARTRIDGE CADDY FOR A CAR

[75] Inventor: Gerald J. Niles, St. Paul, Minn.

[73] Assignee: Minnesota Mining and Manufacturing Company

[\*\*] Term: 14 Years

[21] Appl. No.: 760,119

[22] Filed: Jan. 17, 1977

[51] Int. Cl. .... D3-01

[52] U.S. Cl. .... D87/1 D

[58] Field of Search ..... D87/1 D, 1 R; D12/155; D9/248; 206/387; 224/42.11

[56] References Cited

U.S. PATENT DOCUMENTS

D. 231,148	4/1974	Ruskin	.....	D87/1 D
D. 231,149	4/1974	Ruskin	.....	D87/1 D
D. 232,821	9/1974	Fry	.....	D12/155
D. 232,871	9/1974	George et al.	.....	D87/1 R
3,804,233	4/1974	Gregg	.....	224/42.11

OTHER PUBLICATIONS

J. C. Whitney Cat. #336 © 1975, p. 17, No. 036338n.

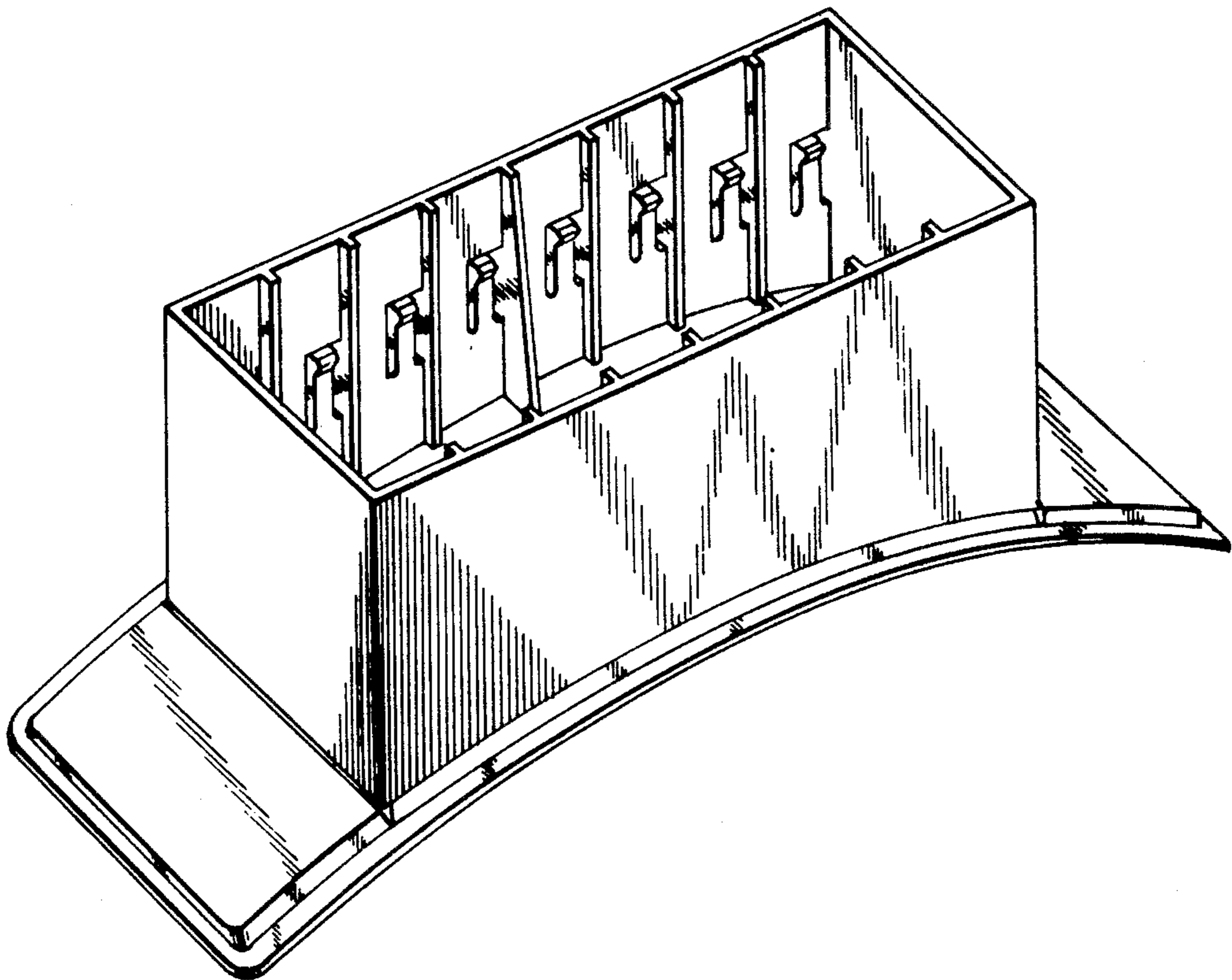
Primary Examiner—Joel Stearman  
Assistant Examiner—George P. Word  
Attorney, Agent, or Firm—Cruzan Alexander

[57] CLAIM

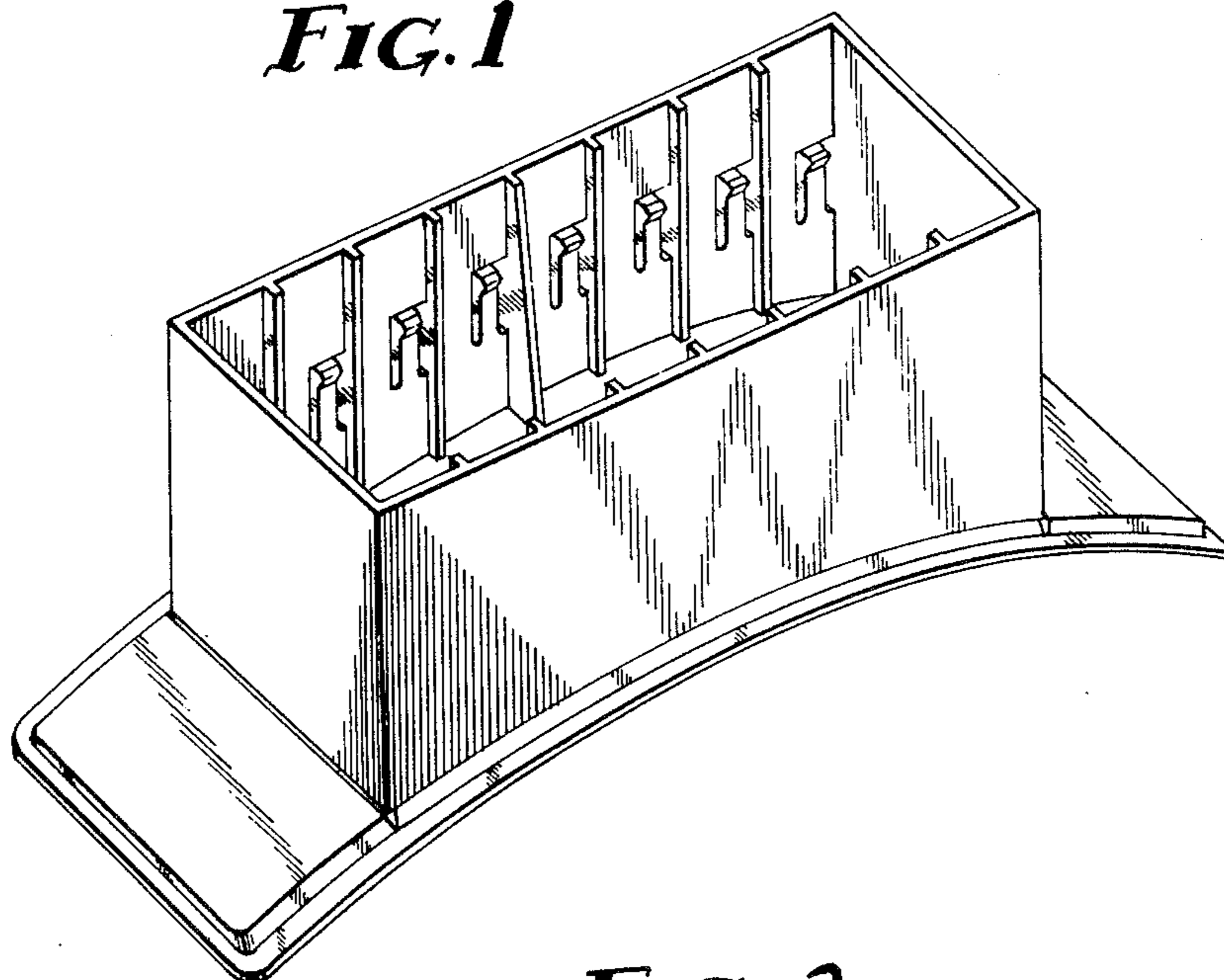
The ornamental design for a tape cartridge caddy for a car, as shown and described.

DESCRIPTION

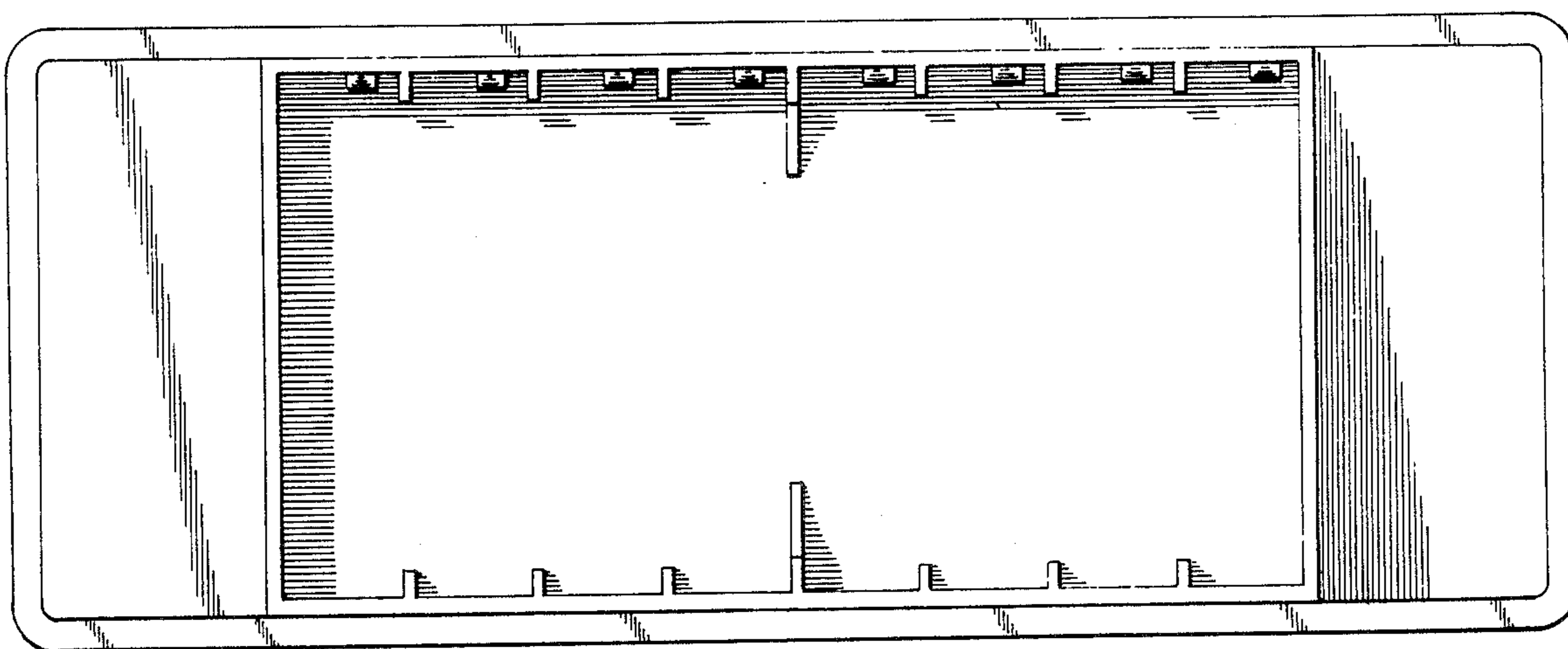
FIG. 1 is a perspective view of a tape cartridge caddy for a car showing my new design; FIG. 2 is a top plan view thereof; FIG. 3 is a bottom plan view thereof; FIG. 4 is a rear elevational view thereof; FIG. 5 is a front elevational view thereof; and FIG. 6 is an end elevational view. The protuberances shown on the bottom surface in FIGS. 3-5 are understood to be continuous within the areas indicated in dashed lines in FIGS. 4 and 5.



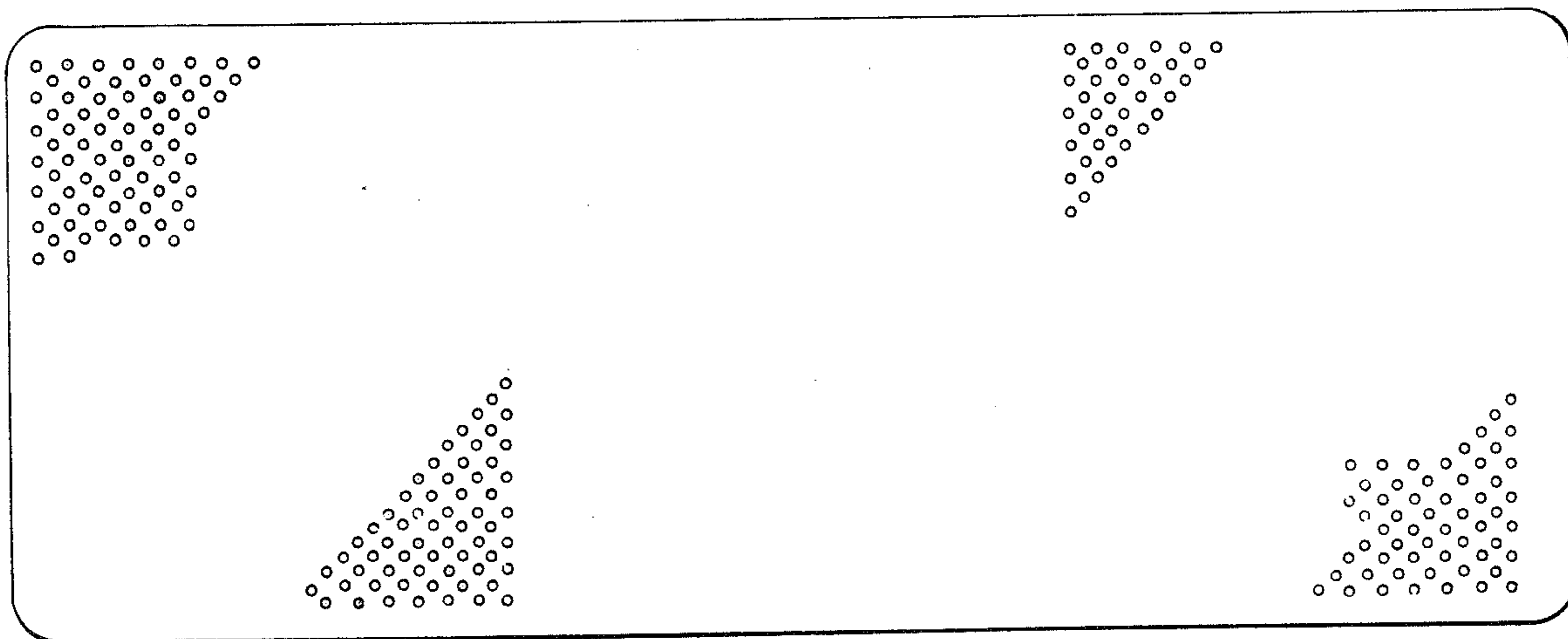
*FIG. 1*



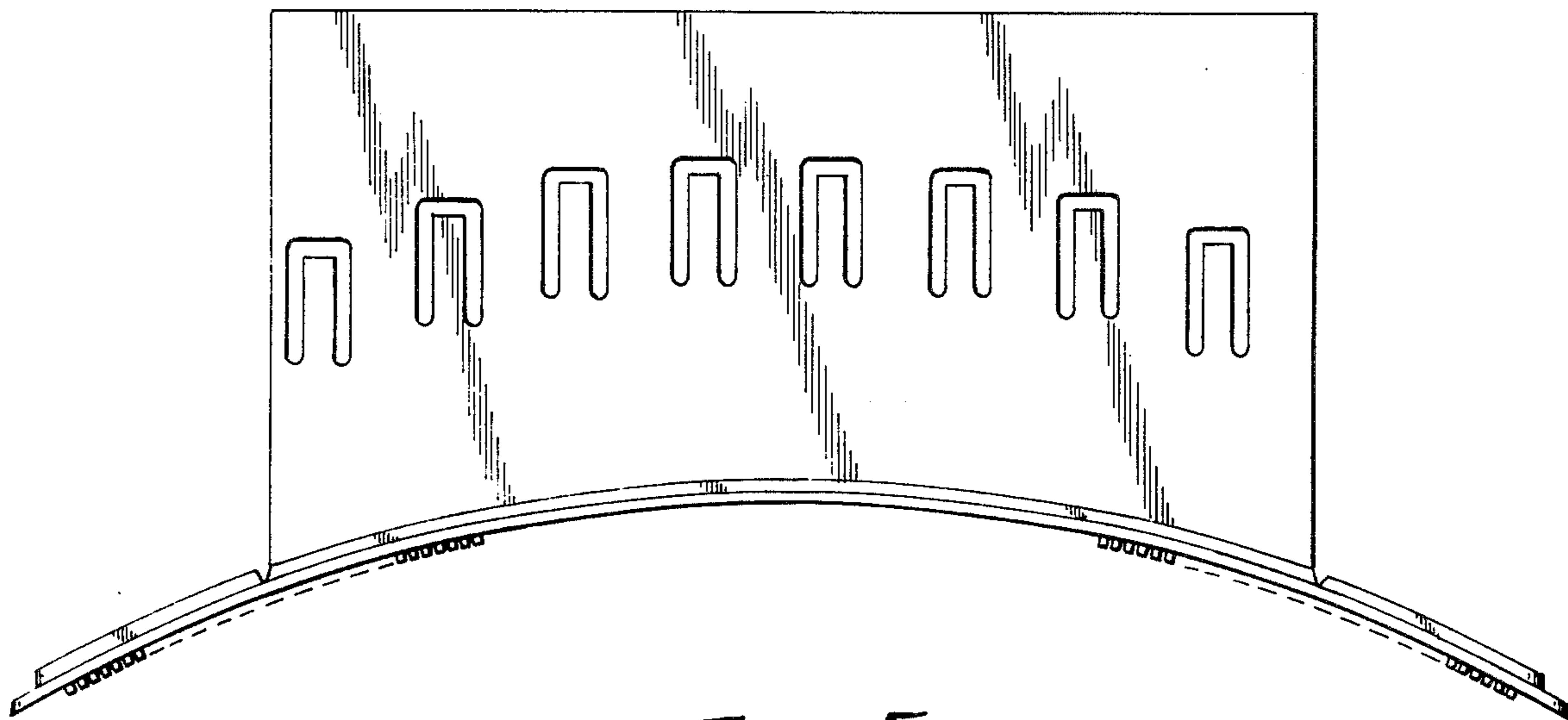
*FIG. 2*



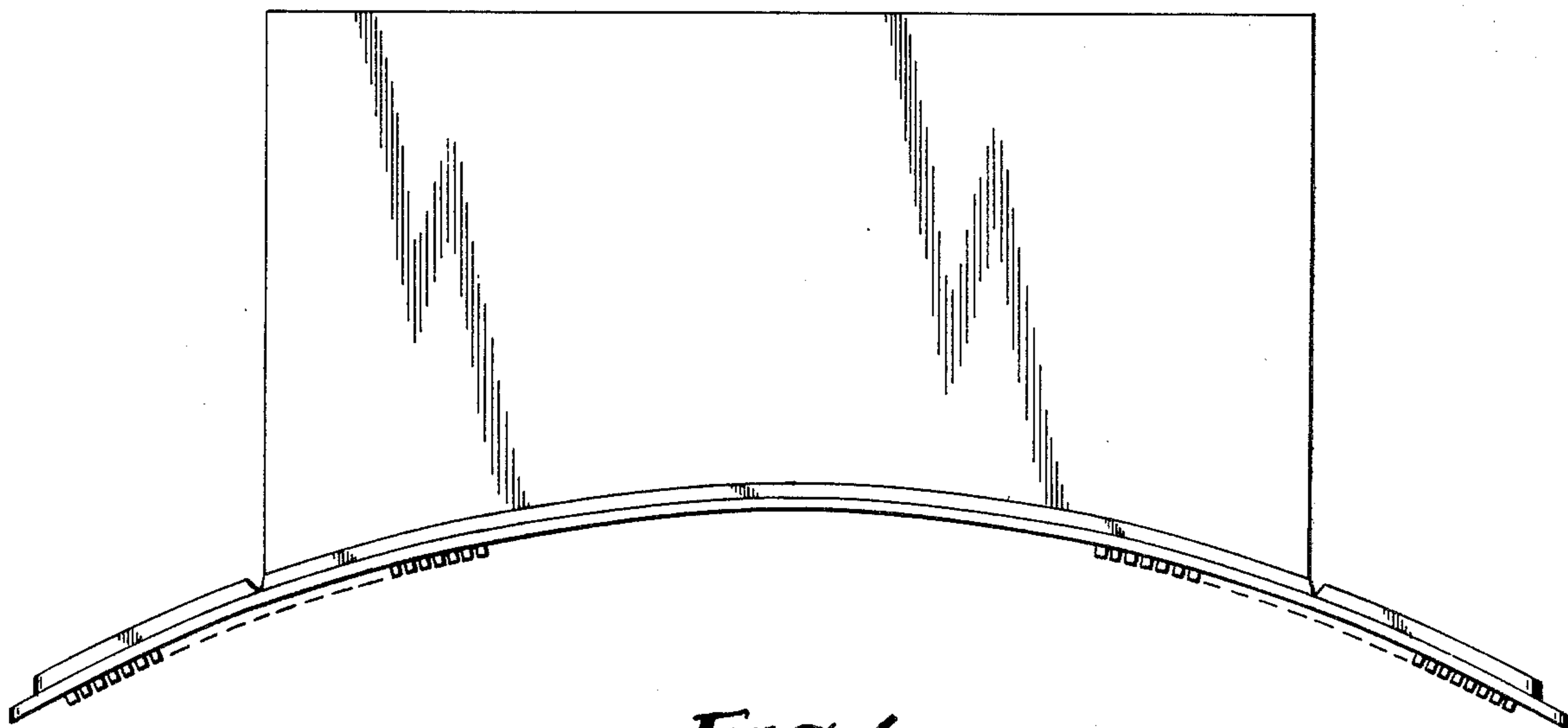
*FIG. 3*



*FIG. 4*



*FIG. 5*



*FIG. 6*

