

[54] LABEL PRINTER

3,355,344 11/1967 Brody et al. 156/384 X

[75] Inventor: Edward C. Karp, Belvidere, Ill.

FOREIGN PATENT DOCUMENTS

[73] Assignee: Sanitary Scale Company

913,245 12/1962 United Kingdom 156/DIG. 48
977,611 12/1964 United Kingdom 101/288

[**] Term: 14 Years

Primary Examiner—Joel Stearman
Assistant Examiner—Louis S. Zarfes
Attorney, Agent, or Firm—John H. Moore

[21] Appl. No.: 761,356

[22] Filed: Jan. 21, 1977

[51] Int. Cl. D18-02

[52] U.S. Cl. D64/10

[58] Field of Search D64/DIG. 1, 10, 11 R;
D14/50; D16/28-32; 101/1, 2, 288; 156/384,
DIG. 48, DIG. 49

[57] CLAIM

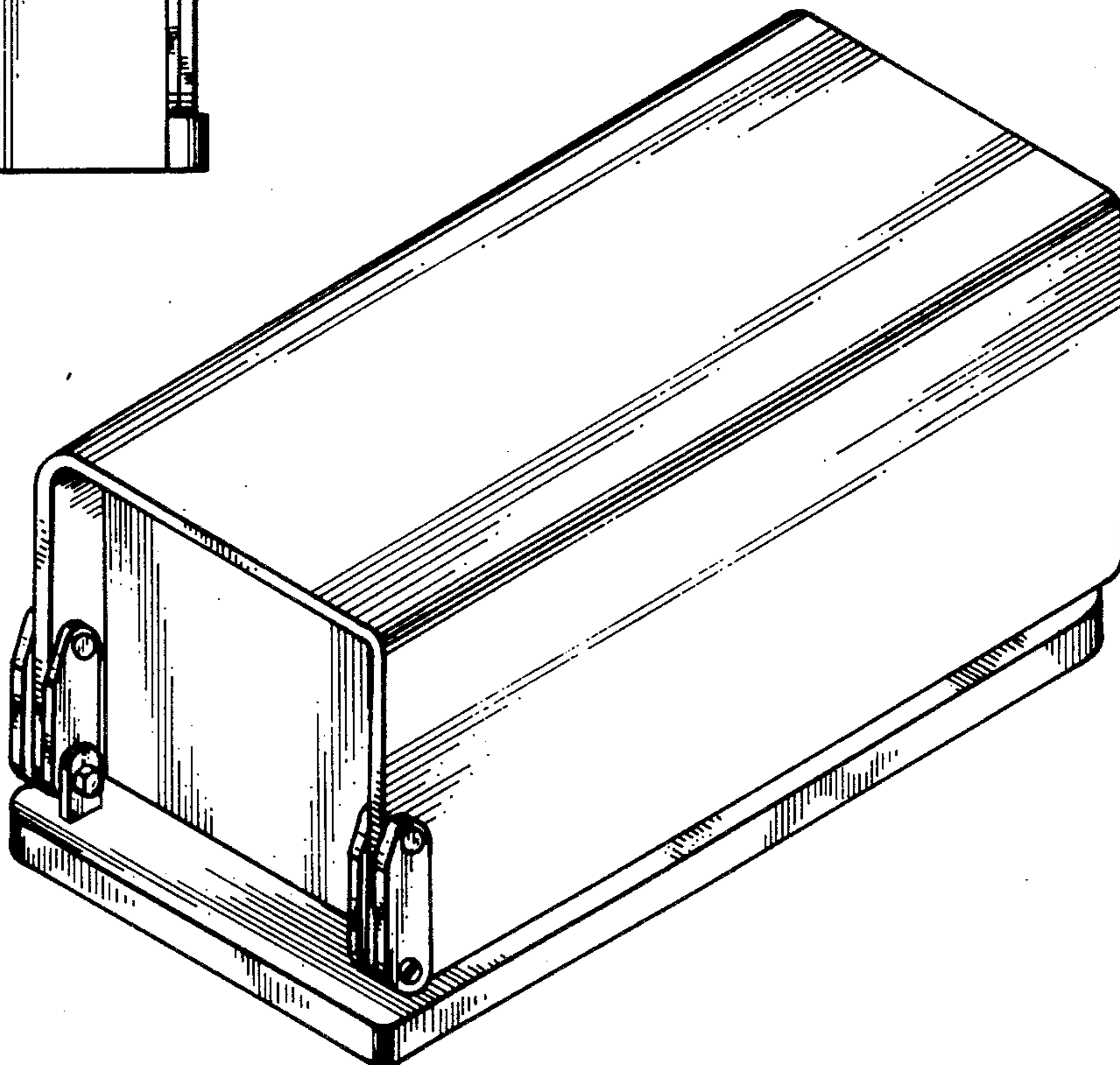
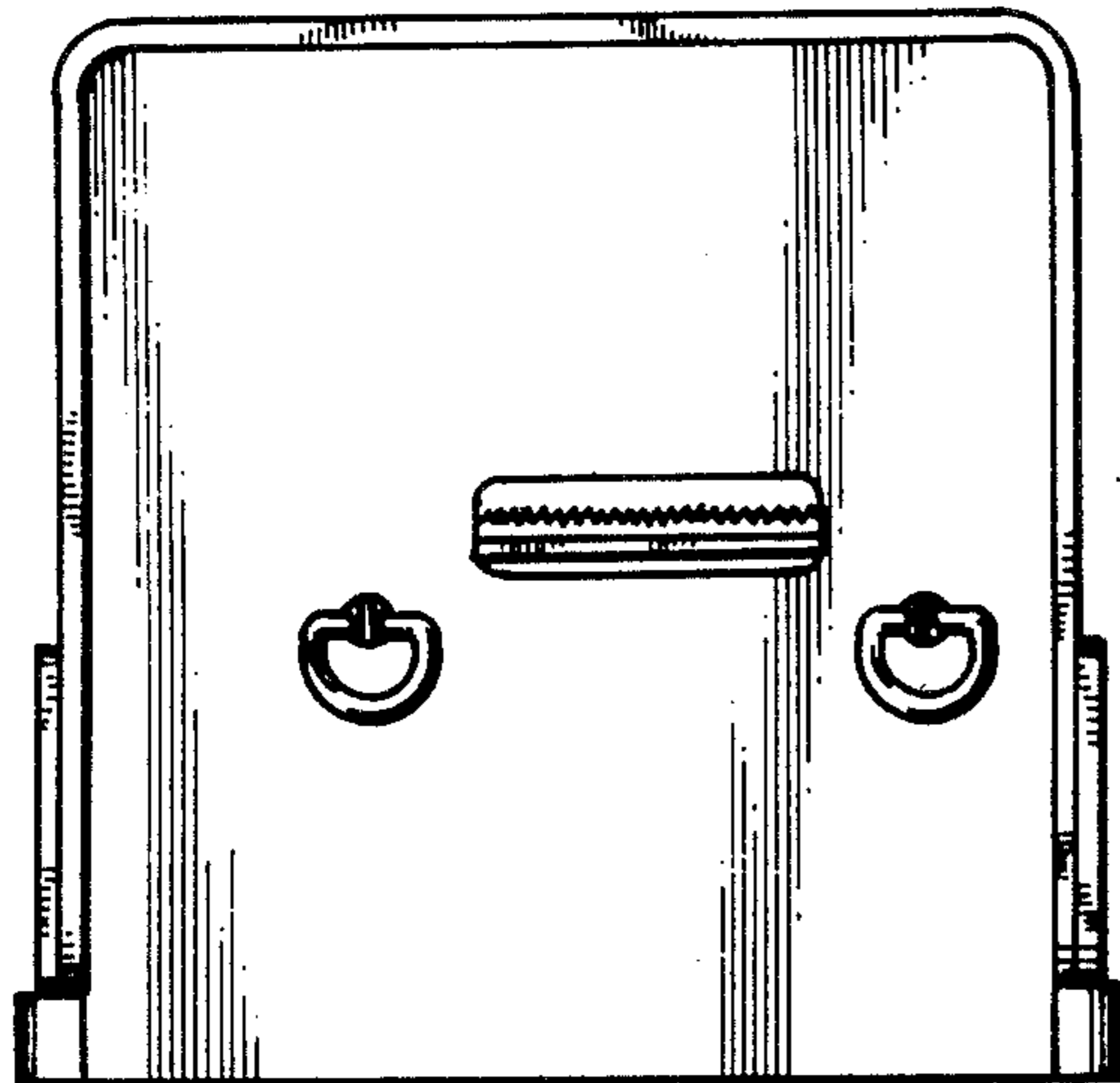
The ornamental design for label printer, substantially as shown and described.

DESCRIPTION

FIG. 1 is a top front, left perspective view of a label printer showing my new design; FIG. 2 is a front elevational view thereof; and FIG. 3 is a top, rear, left perspective view, the right side being a mirror image of the left.

[56] References Cited
U.S. PATENT DOCUMENTS

D. 238,302 12/1975 Alger D64/11 R



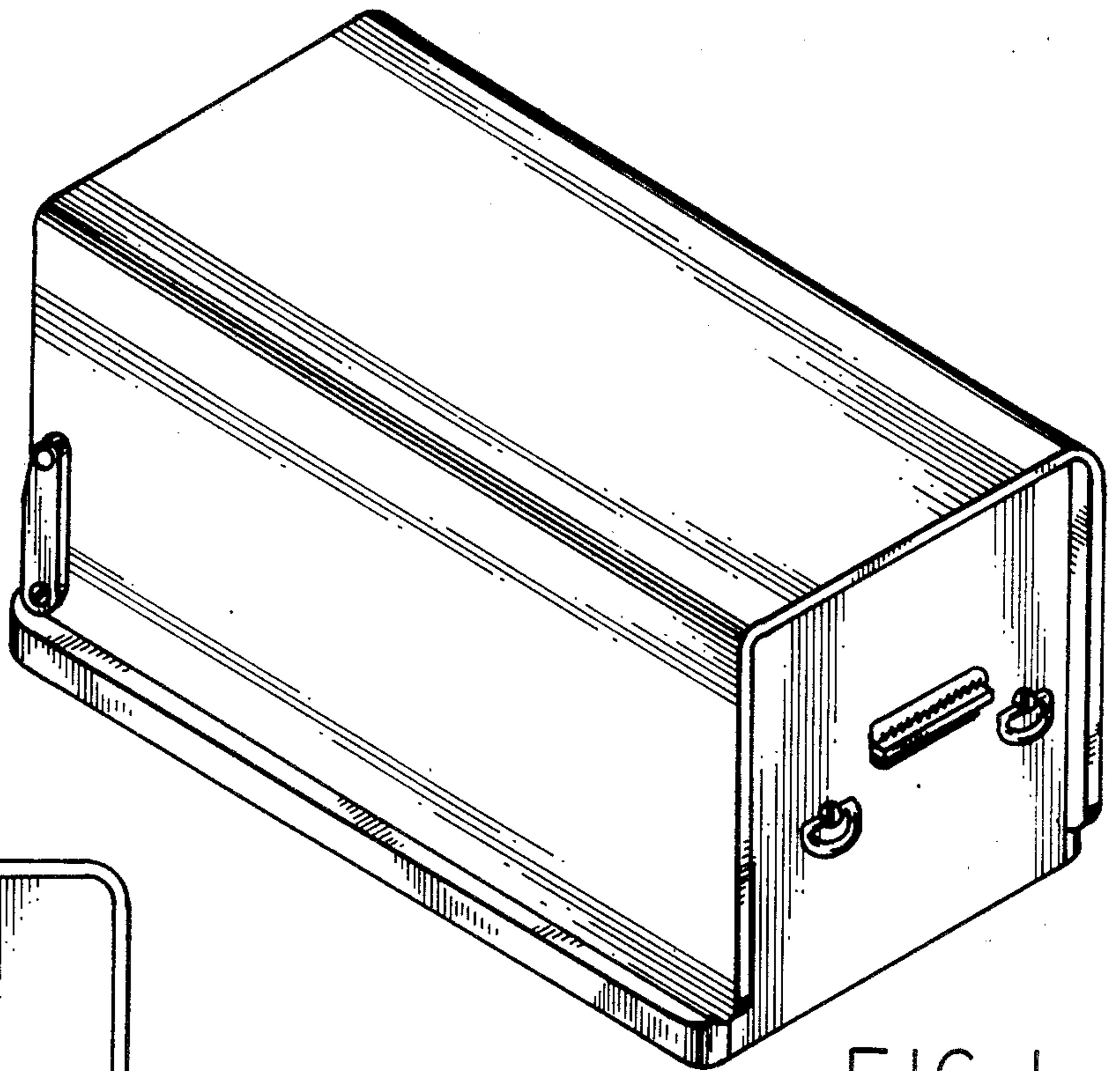


FIG. 1

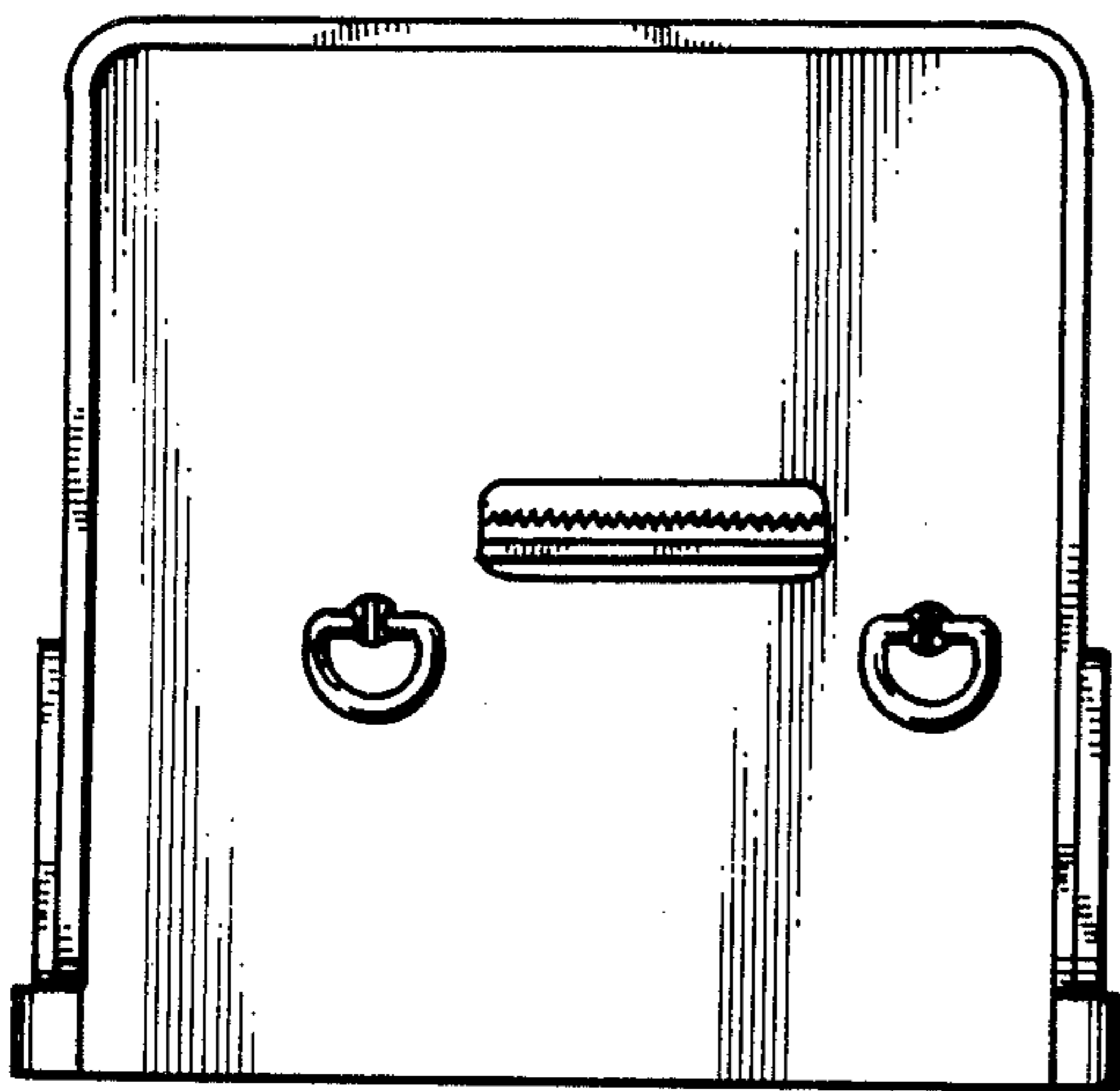


FIG. 2

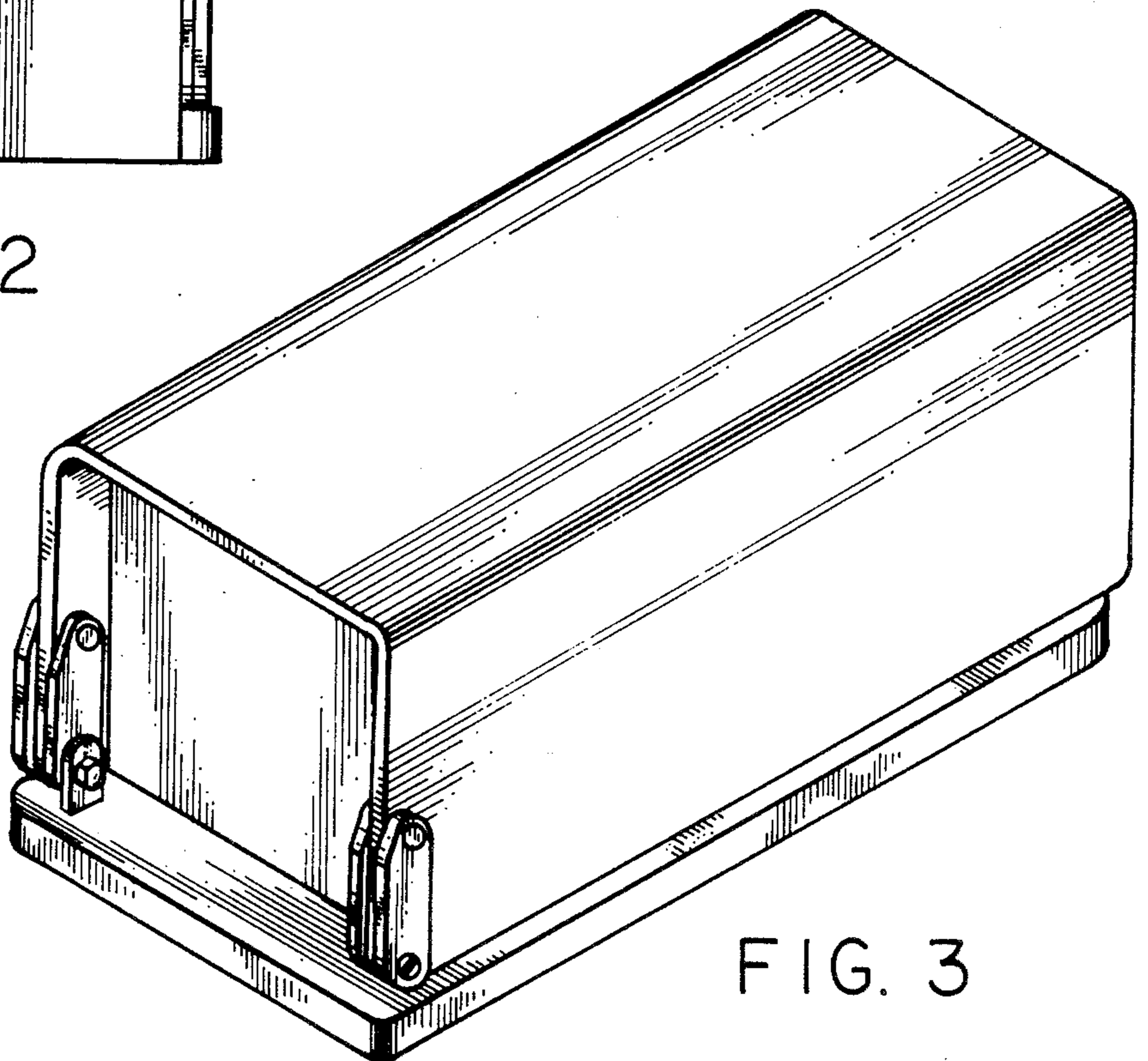


FIG. 3