

[54] TOY ROLLER-GRADER

[75] Inventor: Jeffrey T. Samson, East Aurora, N.Y.

[73] Assignee: The Quaker Oats Company, Chicago, Ill.

[**] Term: 14 Years

[21] Appl. No.: 737,177

[22] Filed: Oct. 29, 1976

[51] Int. Cl. D21-01

[52] U.S. Cl. D34/15 AJ

[58] Field of Search D15/23, 24, 25; D34/15 AJ, 15 AM; 46/201, 202, 206, 210, 214, 222; D12/14, 15

[56] References Cited

U.S. PATENT DOCUMENTS

D. 192,639 4/1962 Musichuk D34/15 AJ

OTHER PUBLICATIONS

Playthings, 9-1974, pg. 24, "Family Sedan" item T496. J. C. Penny Xmas catalog, 1975, rear cover, item D, Scoop Loader.

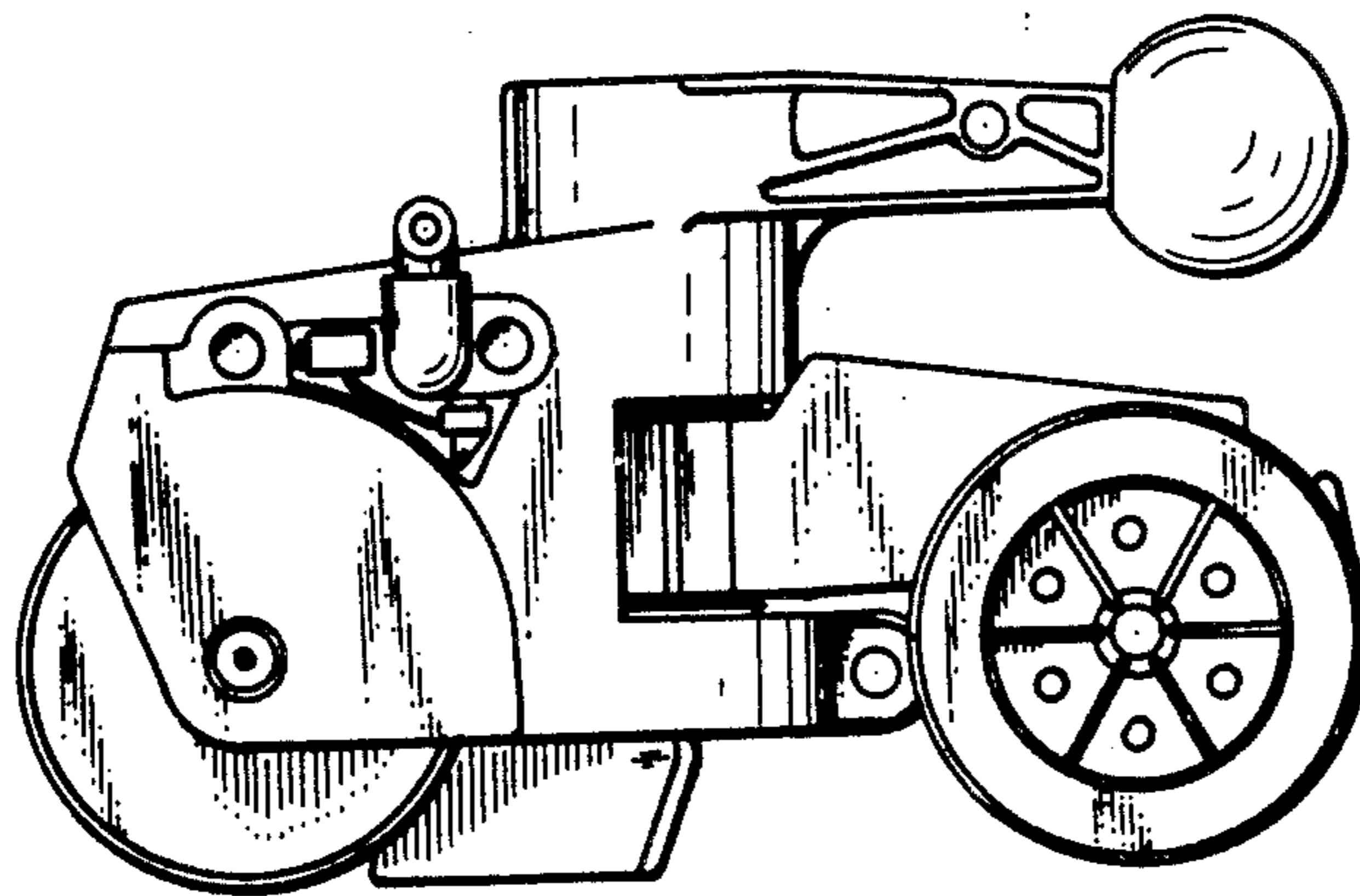
Primary Examiner—Joel Stearman
Assistant Examiner—C. A. Rademaker
Attorney, Agent, or Firm—George W. Shaw

[57] CLAIM

The ornamental design for a toy roller-grader, substantially as shown.

DESCRIPTION

FIG. 1 is a left-side elevational view of a toy roller-grader showing my new design; FIG. 2 is a top plan view thereof; FIG. 3 is a front elevational view thereof; FIG. 4 is a right-side elevational view thereof; FIG. 5 is a bottom plan view thereof; and FIG. 6 is a rear elevational view thereof.



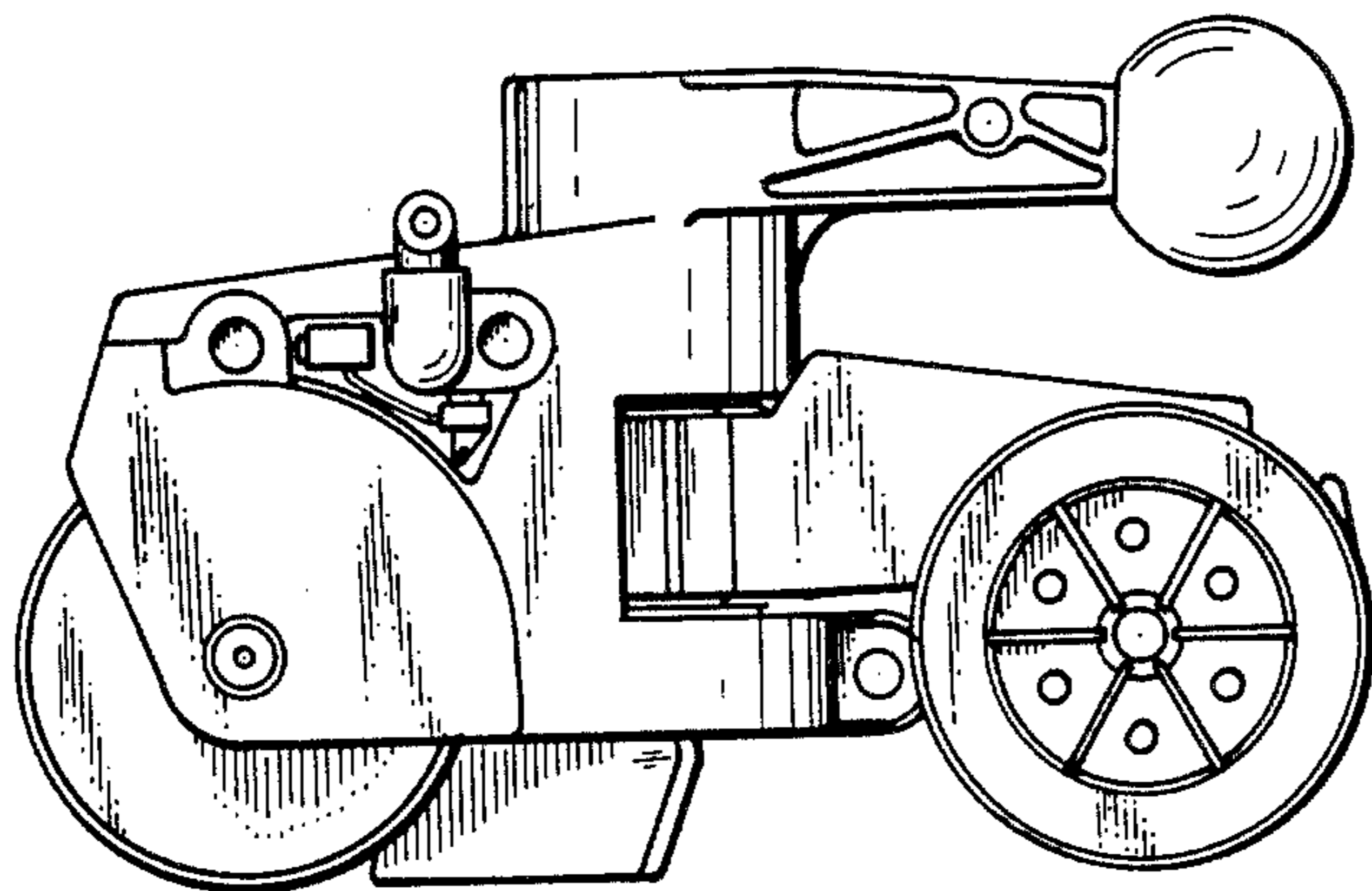


FIG. 1

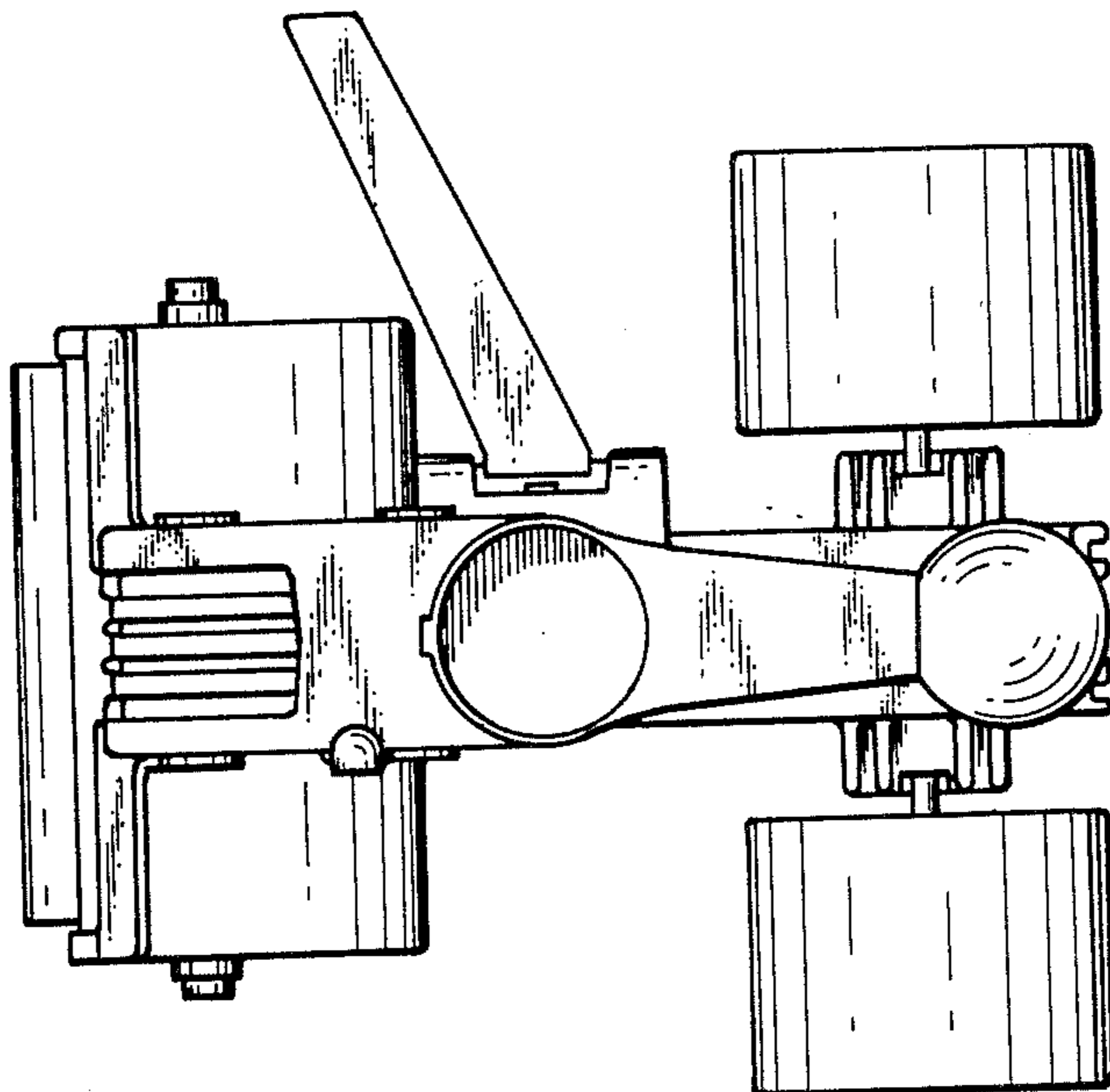


FIG. 2

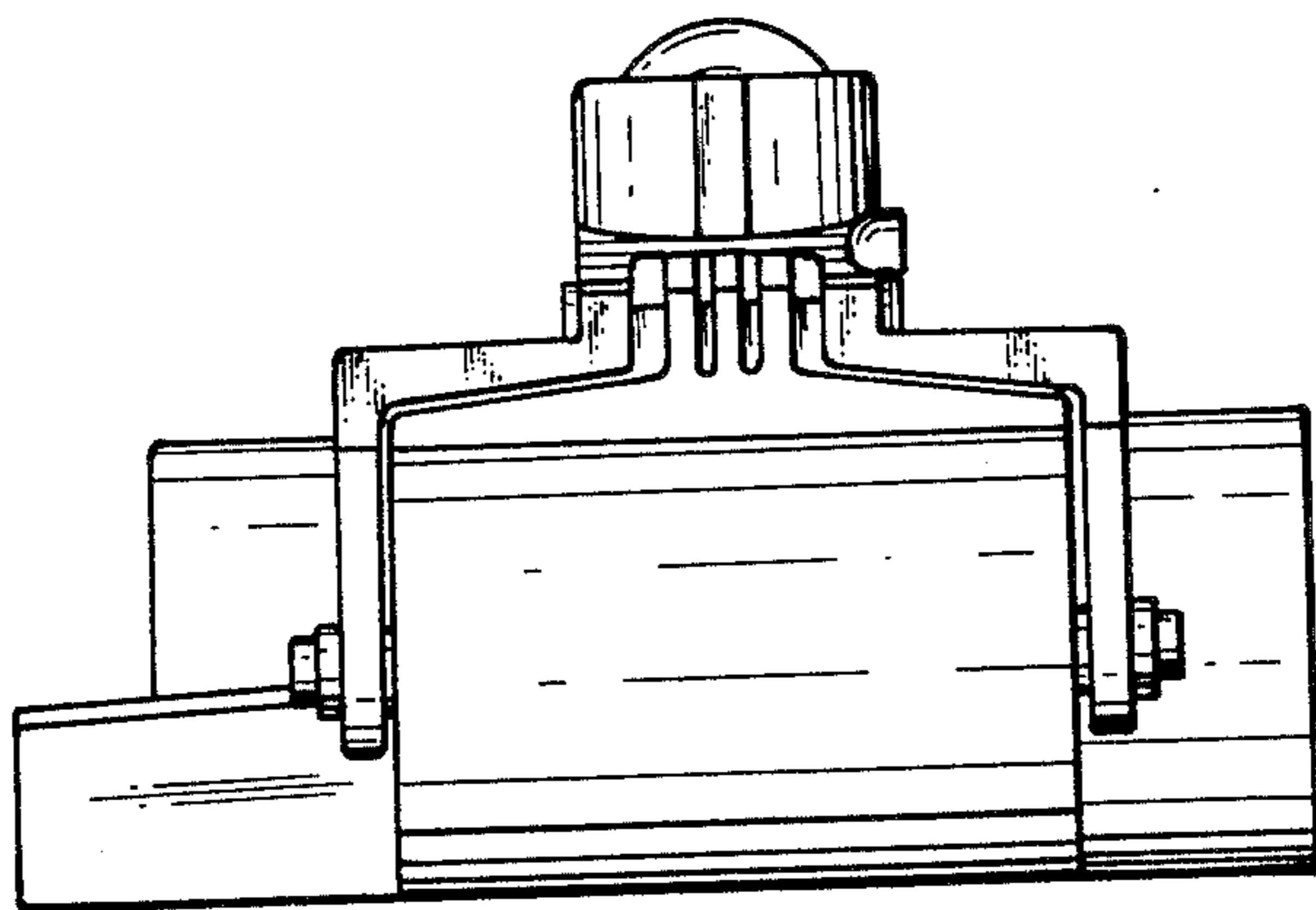


FIG. 3

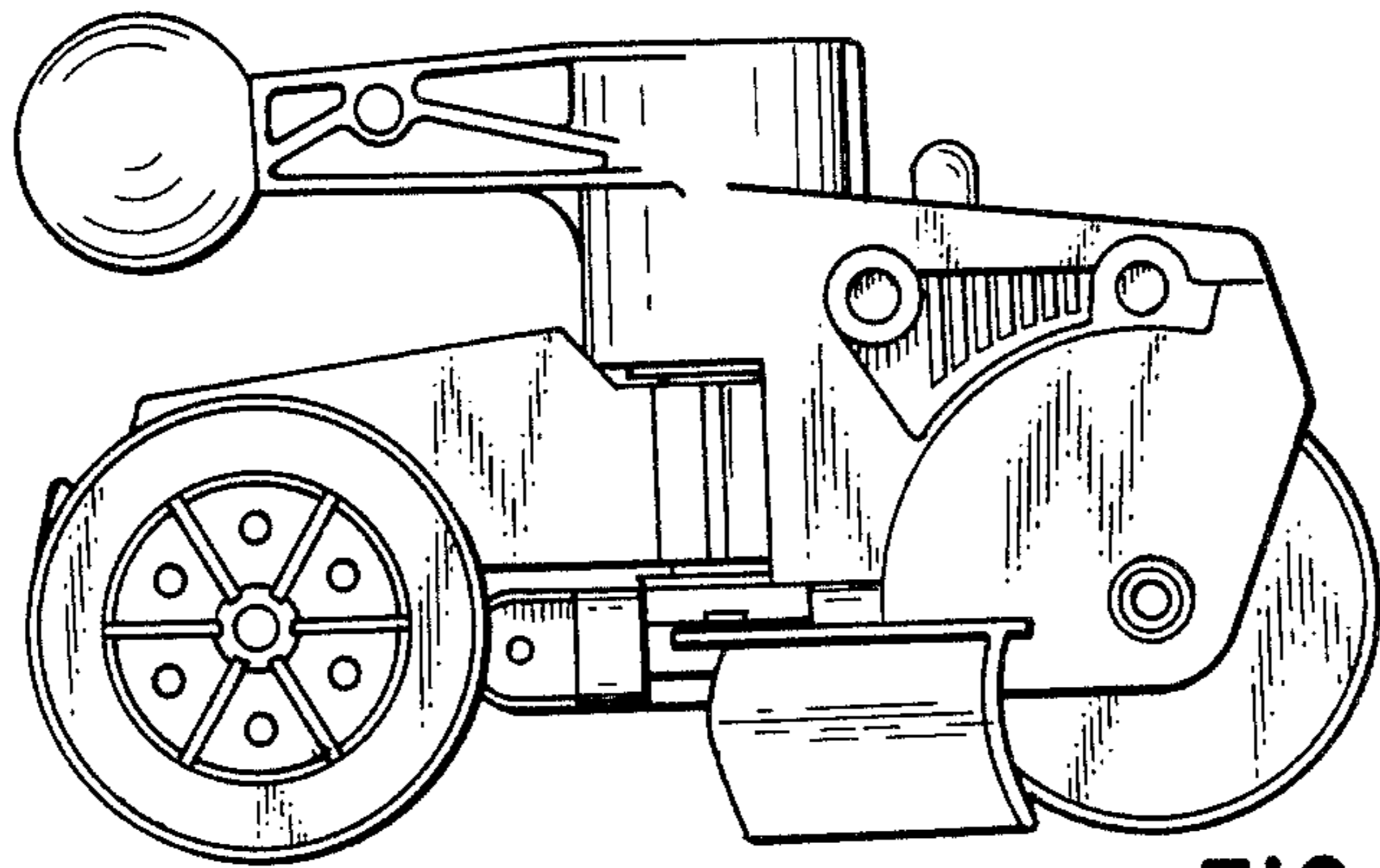


FIG. 4

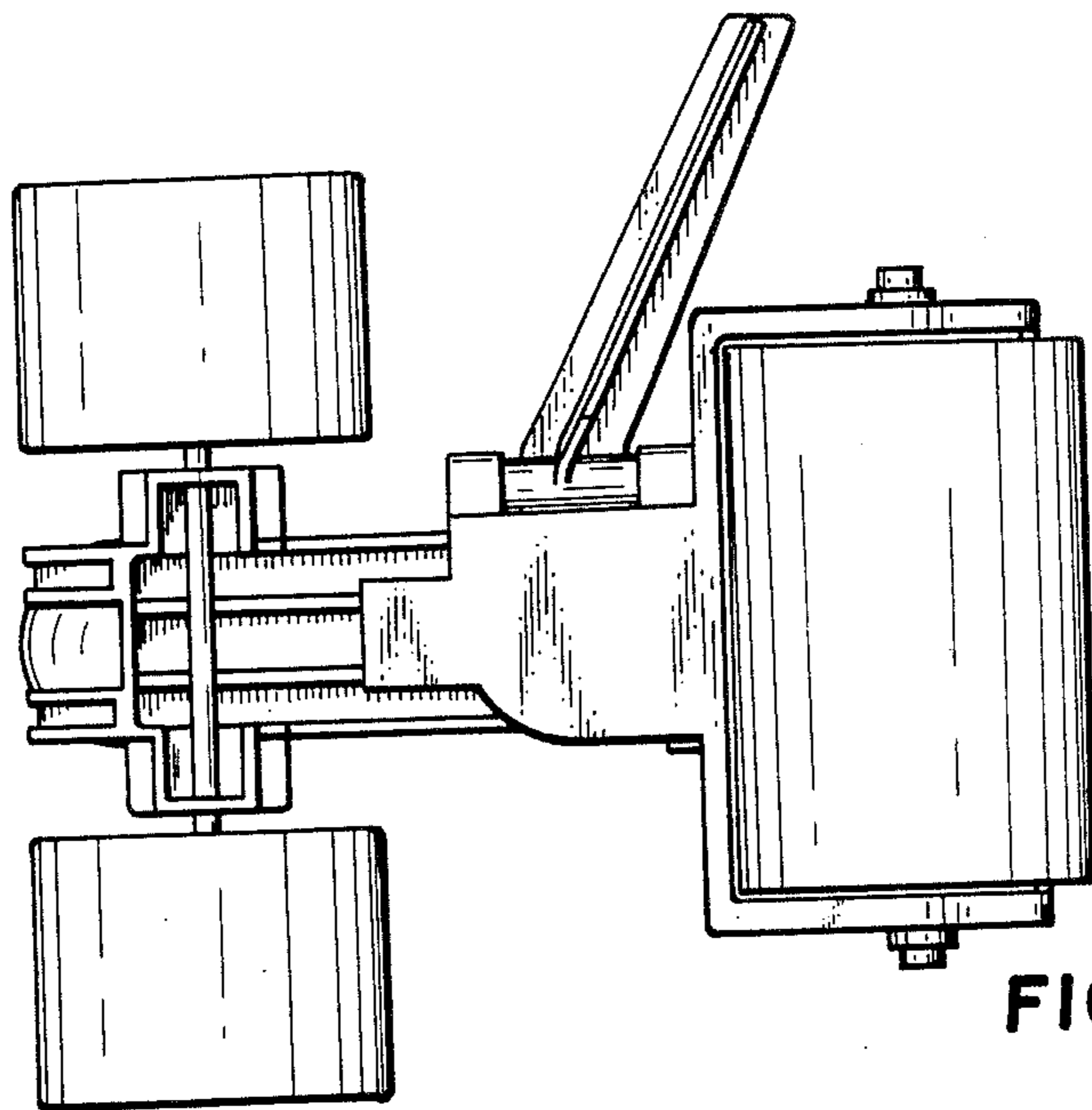


FIG. 5

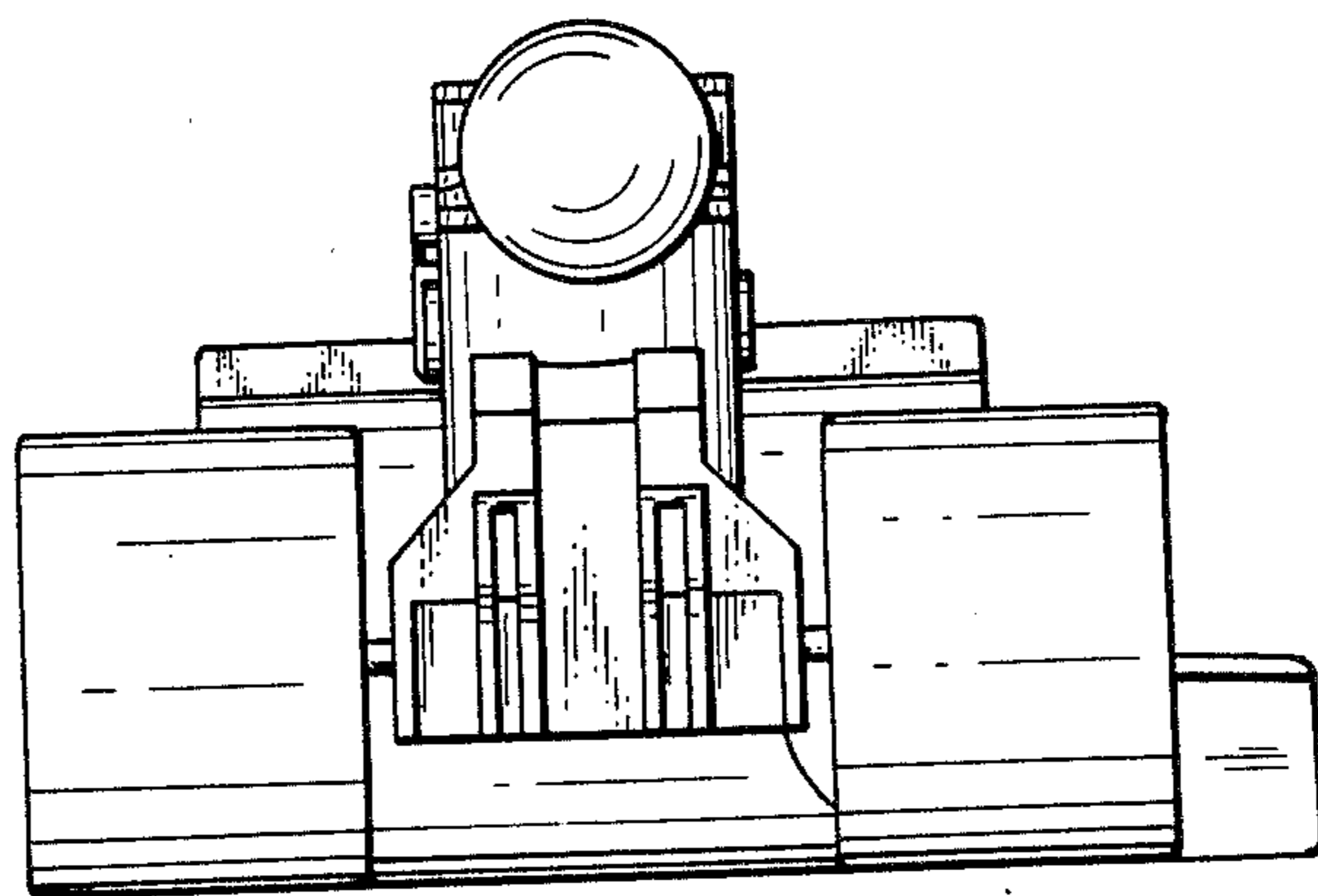


FIG. 6