

[54] BUILDING

[75] Inventor: Irwin R. Barr, Lutherville, Md.

[73] Assignee: AAI Corporation, Cockeysville, Md.

[**] Term: 14 Years

[21] Appl. No.: 766,842

[22] Filed: Feb. 8, 1977

[51] Int. Cl. D25-03

[52] U.S. Cl. D25/21

[58] Field of Search D25/1, 3, 4, 17, 18, D25/20, 21, 27, 33; 126/270, 271; 52/92; D23/72, 127, 136

[56] References Cited

U.S. PATENT DOCUMENTS

| | | | |
|------------|--------|---------------------|---------|
| D. 245,338 | 8/1977 | Barr | D25/21 |
| 3,875,926 | 4/1975 | Frank | 126/271 |
| 3,973,367 | 8/1976 | Johnson et al. | 52/92 X |
| 4,000,734 | 1/1977 | Matlock | 126/271 |

| | | | |
|-----------|--------|----------------------|---------|
| 4,004,574 | 1/1977 | Barr | 126/271 |
| 4,020,827 | 5/1977 | Harrigan et al. | 126/271 |
| 4,034,735 | 7/1977 | Waldrup | 126/270 |

Primary Examiner—A. Hugo Word
Attorney, Agent, or Firm—Reginald F. Pippin, Jr.

[57] CLAIM

The ornamental design for a building, substantially as shown.

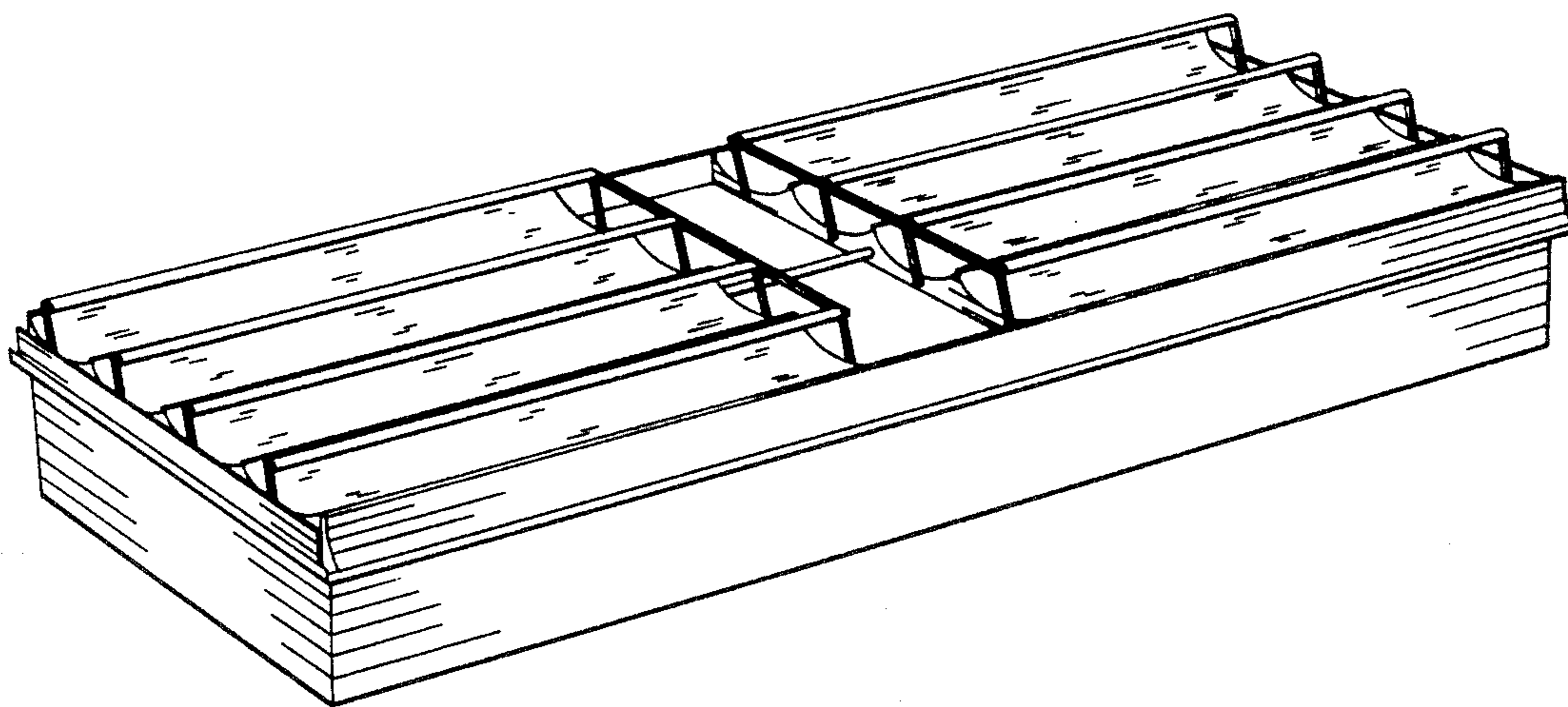
DESCRIPTION

FIG. 1 is a view in perspective of a building according to my invention, and representing a view of what may form the front/side, or rear/side, or vice versa, of such building, but which for ease of description will be designated as a front/side view.

FIG. 2 is a plan view of the building of FIG. 1.

FIG. 3 is an end elevation view of the building of FIG. 1, according to the illustrative convention adopted for FIG. 1.

FIGS. 4 and 5 are opposite side elevation views of the building of FIG. 1.



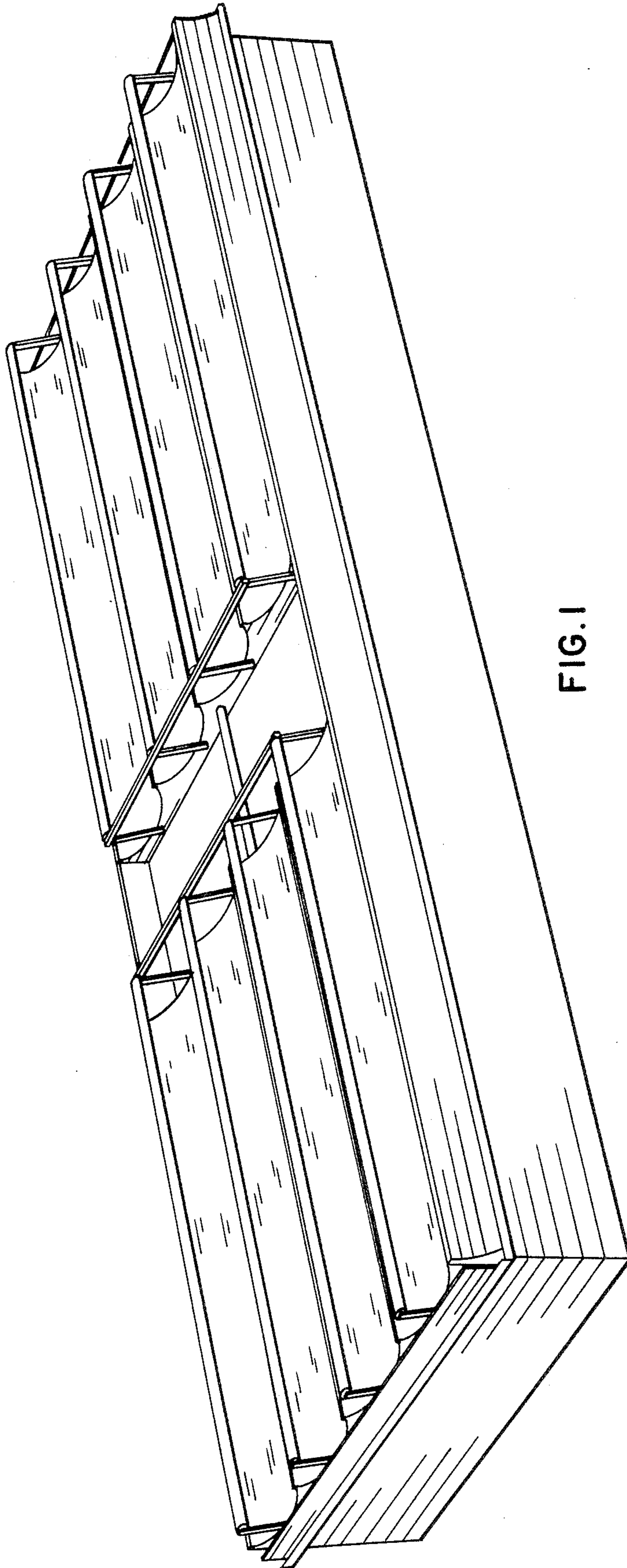


FIG. 1

FIG. 2

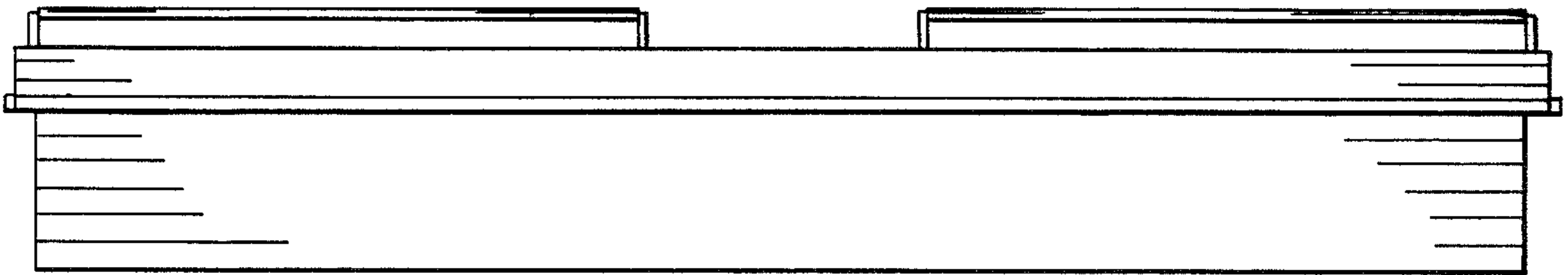
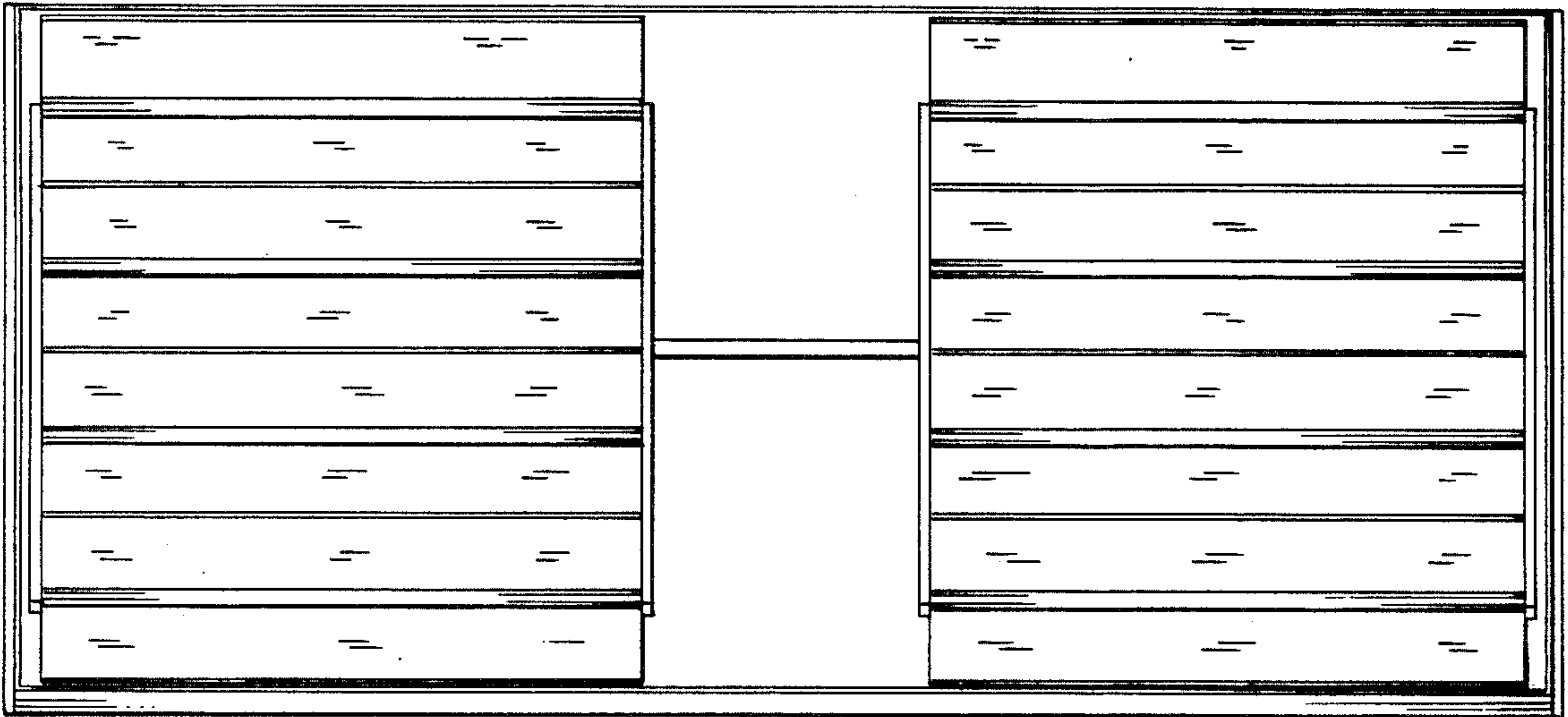


FIG. 3

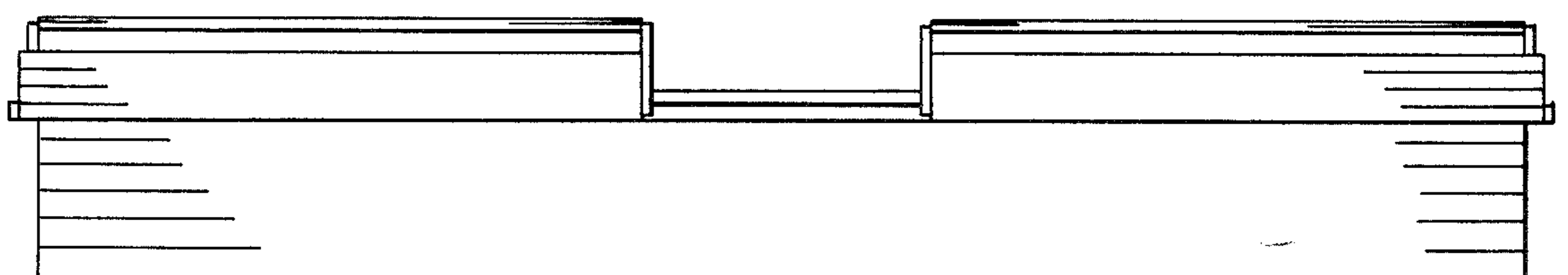


FIG. 4

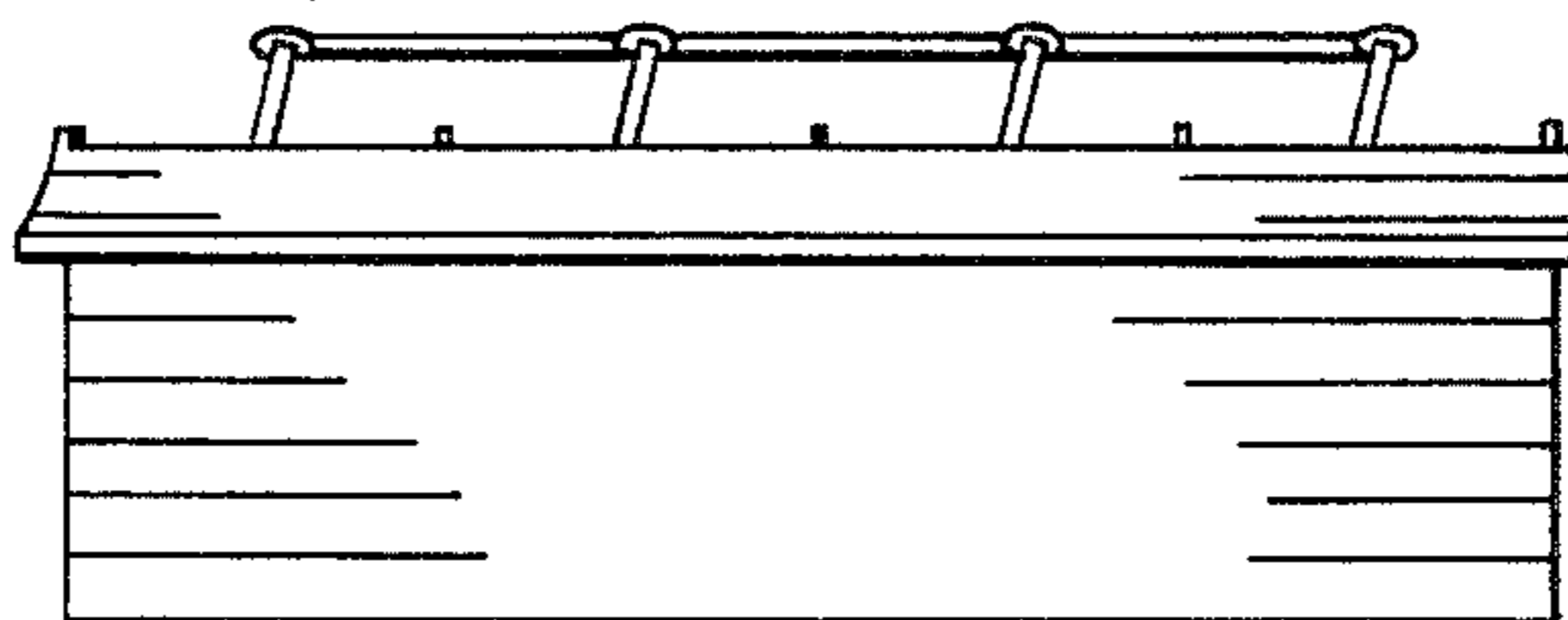


FIG. 5