

[54] **ELECTRODE HOLDER FOR pH METERS AND THE LIKE**

D. 235,486 6/1975 van der Bergh ..... D24/31  
 D. 235,612 7/1975 Daniels ..... D8/72  
 4,003,536 1/1977 Sekerich ..... 248/280

[75] **Inventor: Robert S. Potts, Sherborn, Mass.**

**OTHER PUBLICATIONS**

Lapine Scientific Catalog, p. 464, pH electrode holder.

[73] **Assignee: Corning Glass Works**

*Primary Examiner*—Bernard Ansher  
*Attorney, Agent, or Firm*—Clarence R. Patty, Jr.

[\*\*] **Term: 14 Years**

[21] **Appl. No.: 765,924**

[22] **Filed: Feb. 7, 1977**

[57] **CLAIM**

The ornamental design for an electrode holder for pH meters and the like, as shown and described.

[51] **Int. Cl. .... D24—01; D24—99**

[52] **U.S. Cl. .... D24/29; D8/71; D24/31; 248/280**

**DESCRIPTION**

[58] **Field of Search .... D8/395, 71, 72, 396, D8/70; 248/309, 280, 281; 211/74, 71; D13/12; D24/8, 29, 31, 99**

FIG. 1 is a perspective view of an electrode holder for pH meters and the like embodying my new design.

FIG. 2 is a side elevational view, with the opposite side being a mirror image.

FIG. 3 is a front elevational view taken along line 3—3 of FIG. 2.

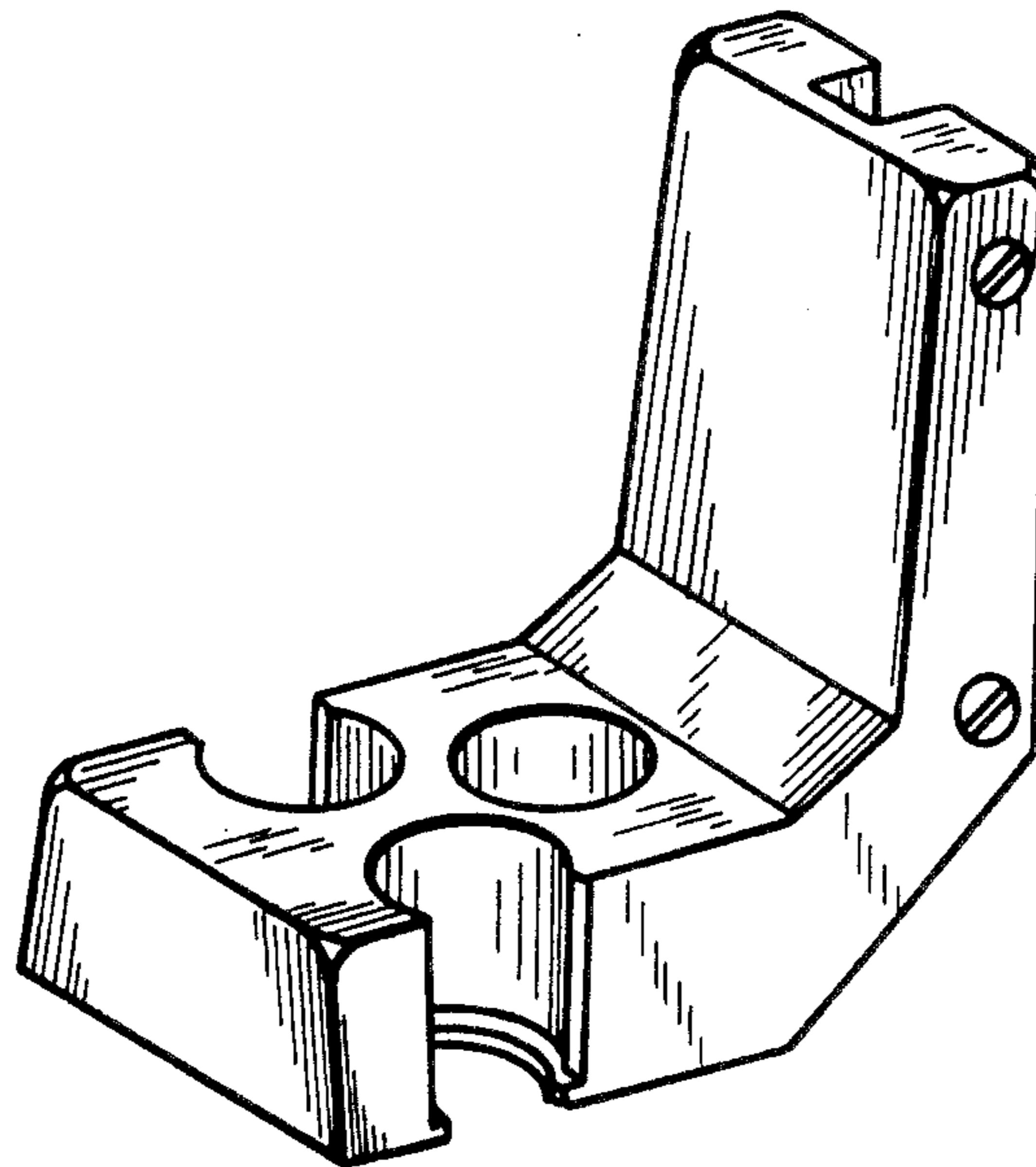
FIG. 4 is a top plan view taken along line 4—4 of FIG. 2.

FIG. 5 is a rear elevational view taken along line 5—5 of FIG. 2.

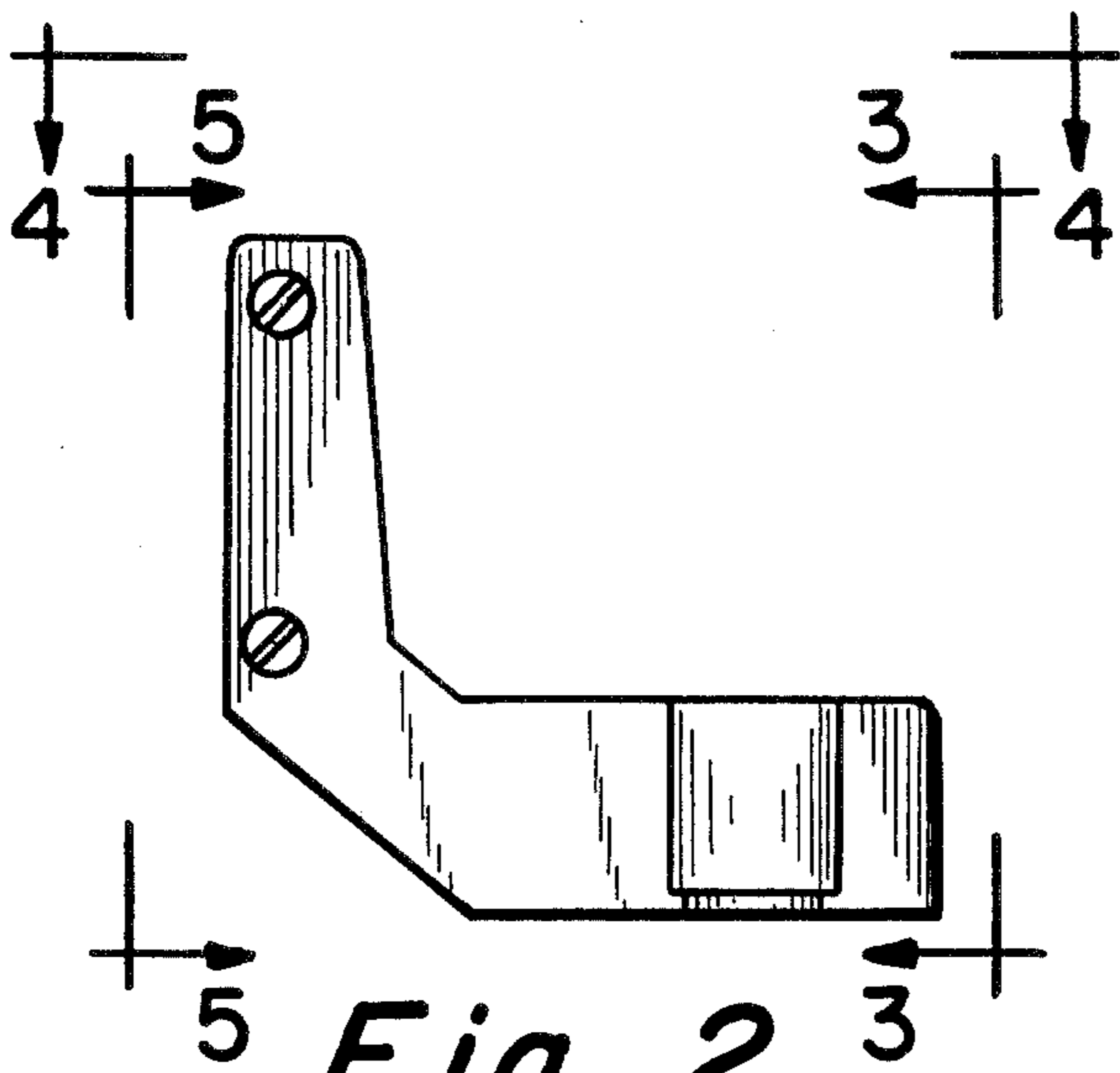
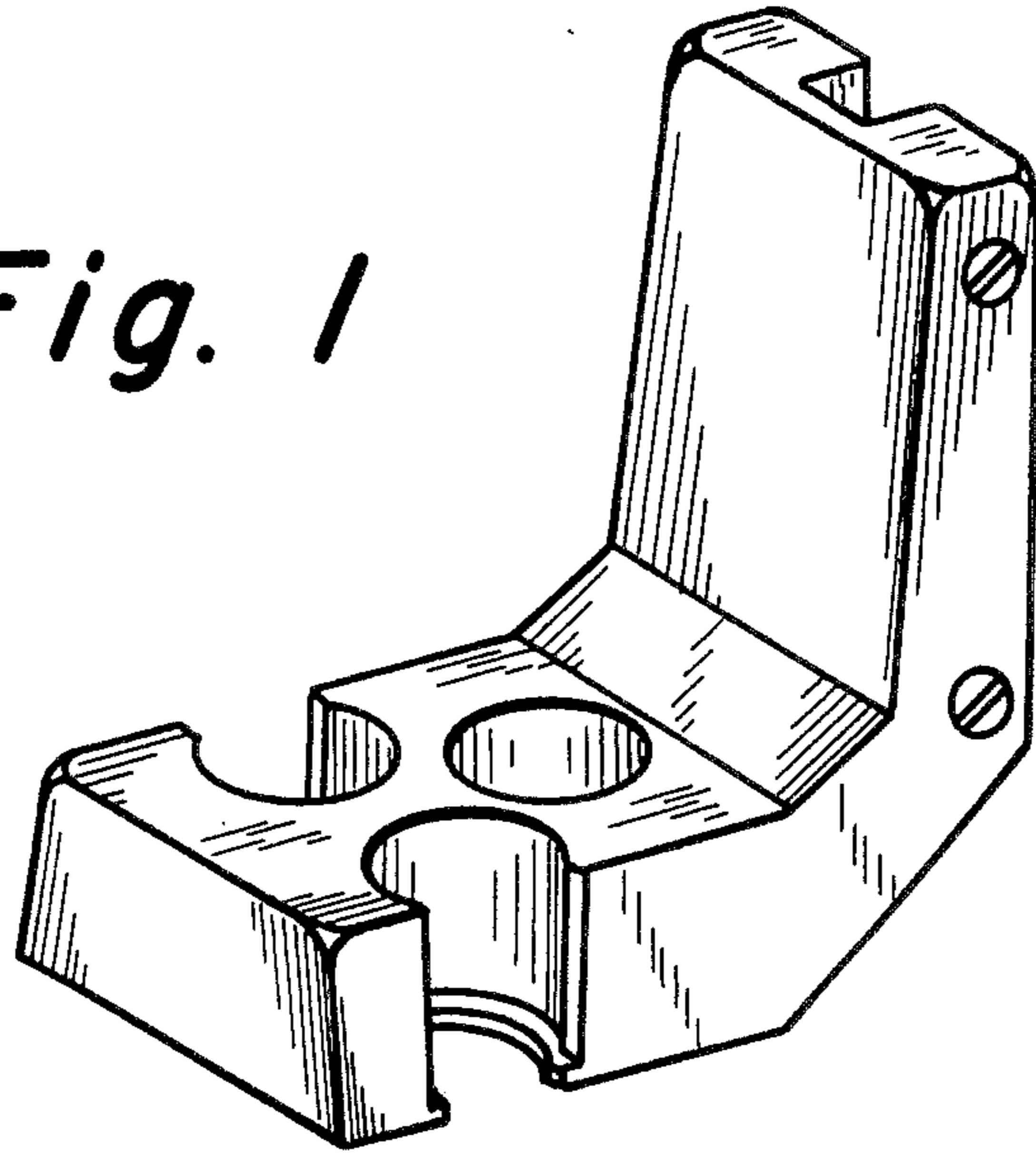
[56] **References Cited**

**U.S. PATENT DOCUMENTS**

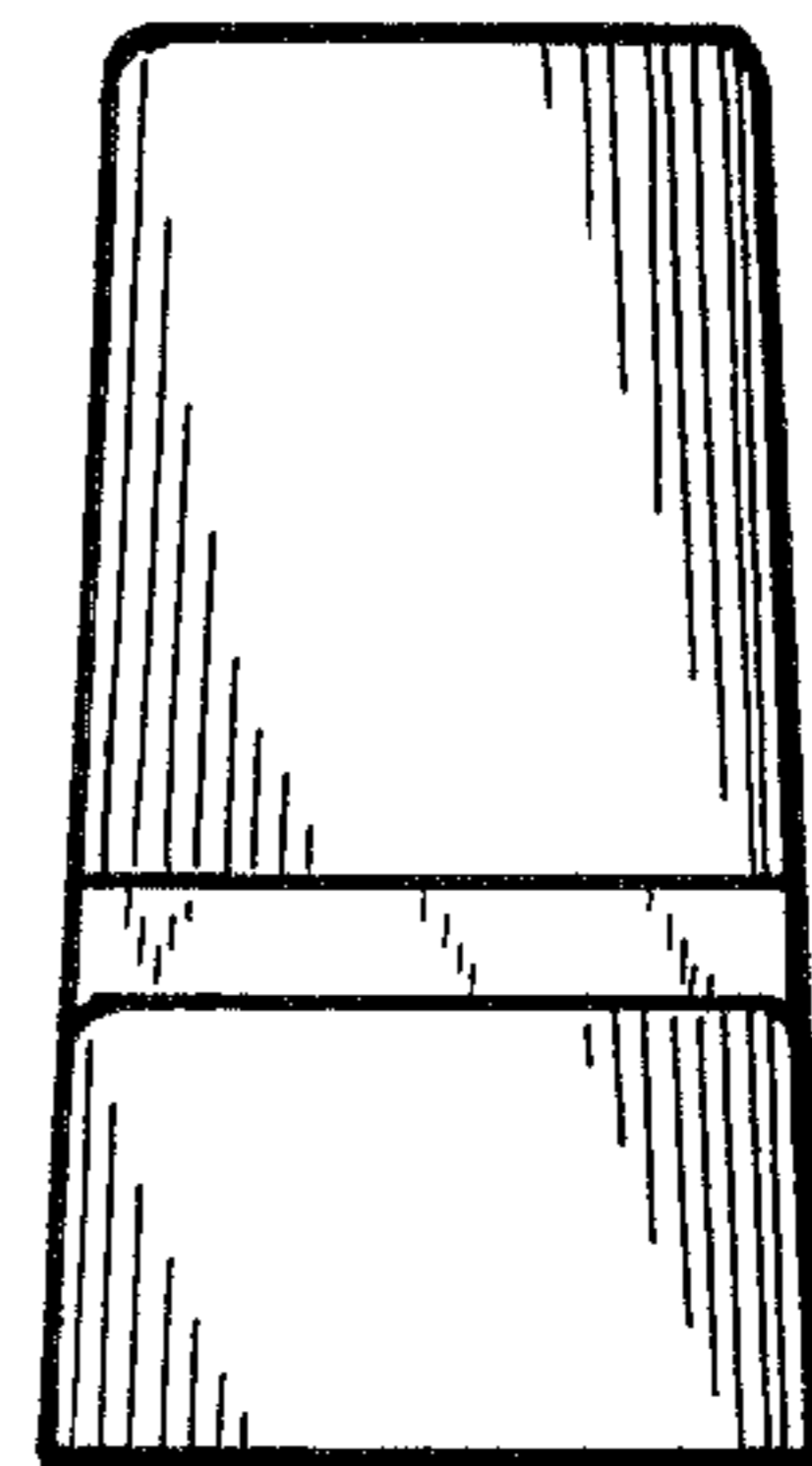
D. 188,624 8/1960 Vixler ..... D8/72  
 D. 194,803 3/1963 Angel ..... D24/29 X  
 D. 211,241 6/1968 Dole, Jr. et al. .... D24/8  
 D. 222,454 10/1971 Beeber ..... D24/29



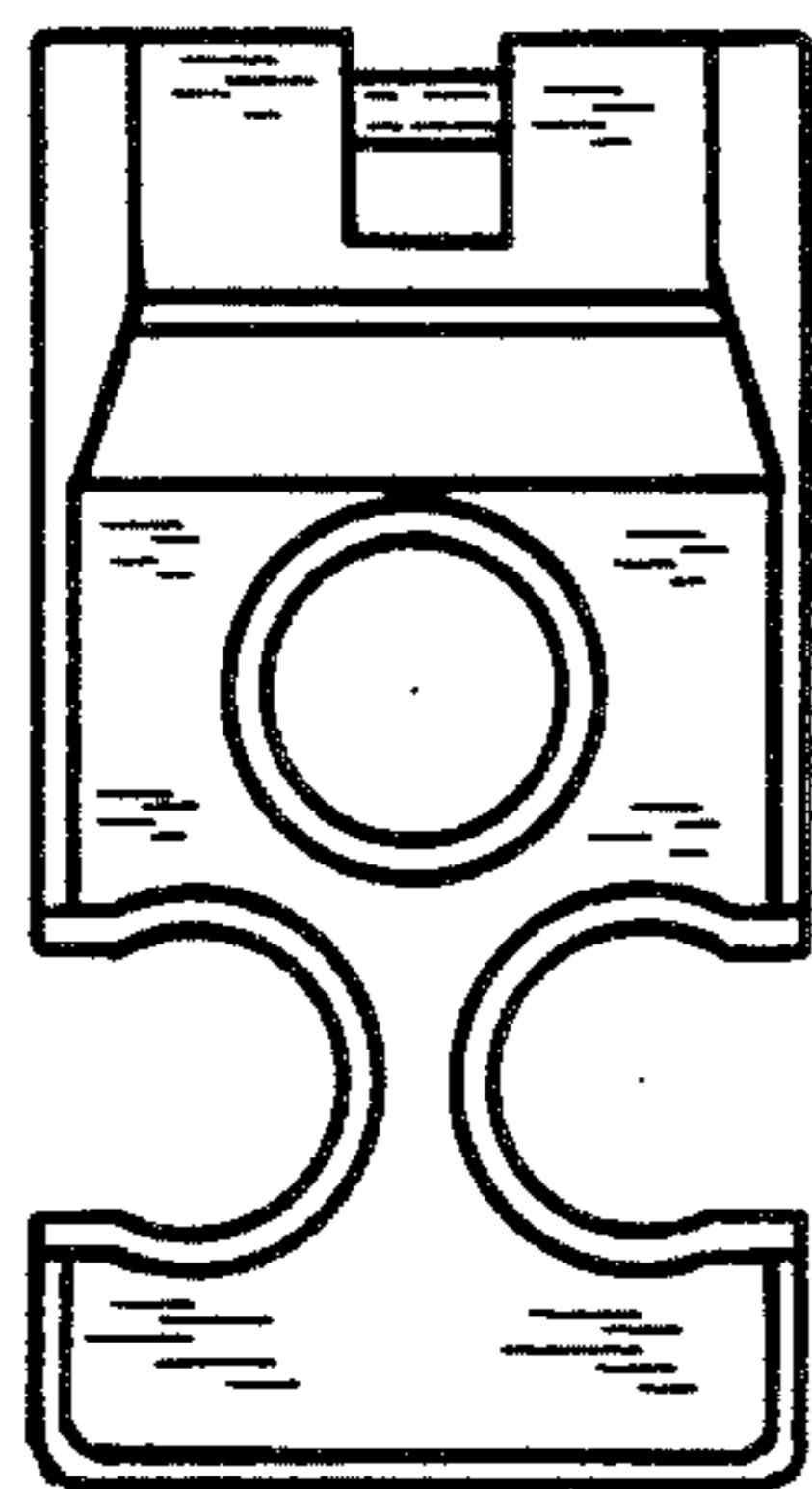
*Fig. 1*



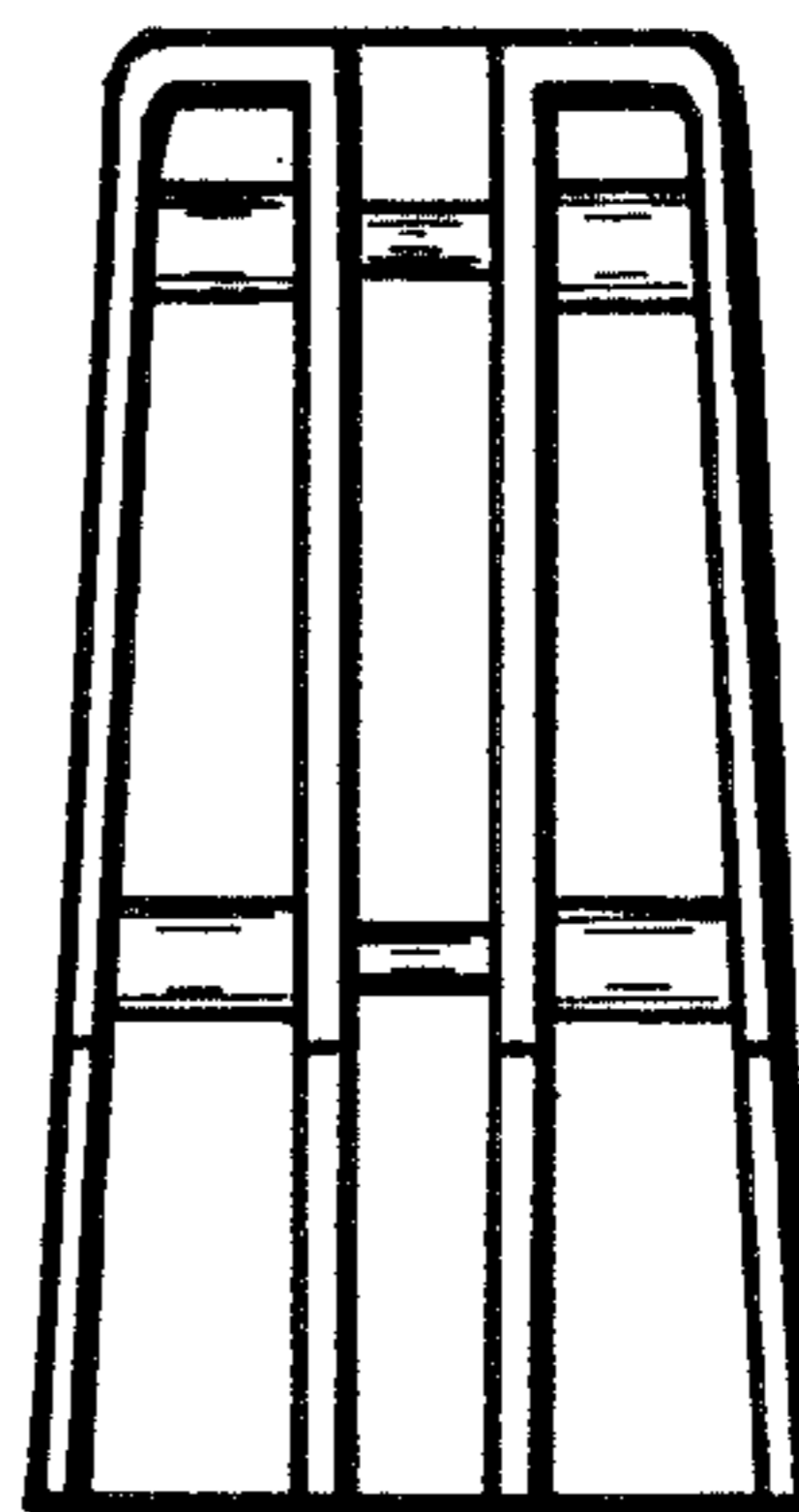
*Fig. 2*



*Fig. 3*



*Fig. 4*



*Fig. 5*