

[54] SHOTGUN BARREL
 [75] Inventor: Donald E. Stark, Olathe, Kans.
 [73] Assignee: Simmons Gun Specialties, Inc.,
 Olathe, Kans.
 [**] Term: 3½ Years
 [21] Appl. No.: 681,918
 [22] Filed: Apr. 30, 1976
 [51] Int. Cl. D22-01
 [52] U.S. Cl. D22/7
 [58] Field of Search D22/1, 6, 7, 8; 42/15,
 42/76 R, 77, 78, 79; 33/233, 243

[56] **References Cited**
 U.S. PATENT DOCUMENTS
 D. 118,863 2/1940 Mossberg D22/7

3,955,299 5/1976 Bullis 42/15 X
 3,979,851 9/1976 Soucy 42/76 R X

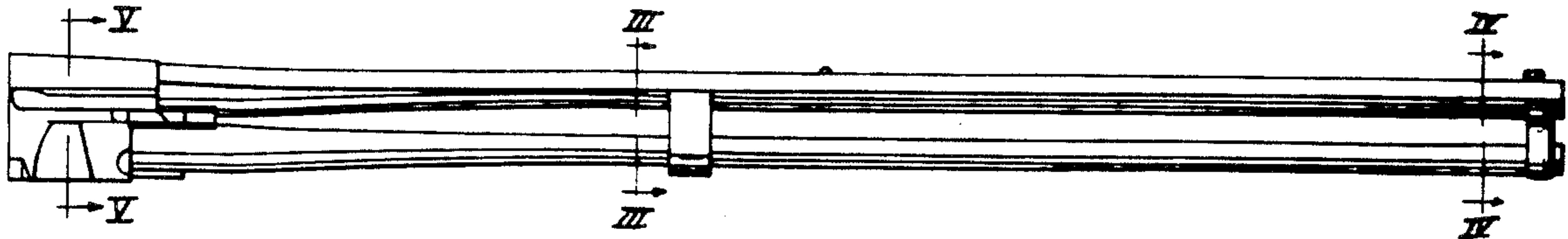
Primary Examiner—A. Hugo Word
 Attorney, Agent, or Firm—John A. Hamilton

[57] CLAIM

The ornamental design for a shotgun barrel, as shown.

DESCRIPTION

FIG. 1 is a side elevational view of a shotgun barrel, showing my design,
 FIG. 2 is a top plan view of the design as shown in FIG. 1,
 FIG. 3 is an enlarged sectional view taken on line III—III of FIG. 1, and
 FIG. 4 is an enlarged sectional view taken on line IV—IV of FIG. 1, and
 FIG. 5 is an enlarged sectional view taken on line V—V of FIG. 1.



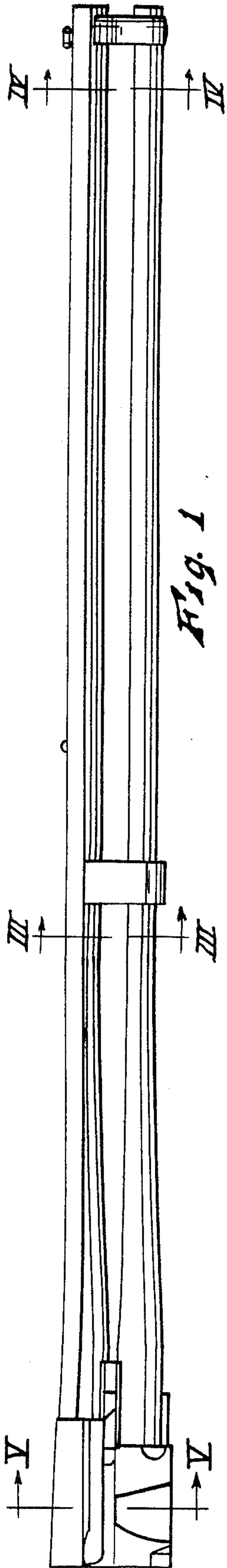


Fig. 1

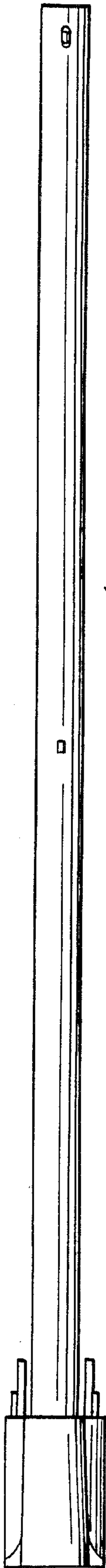


Fig. 2

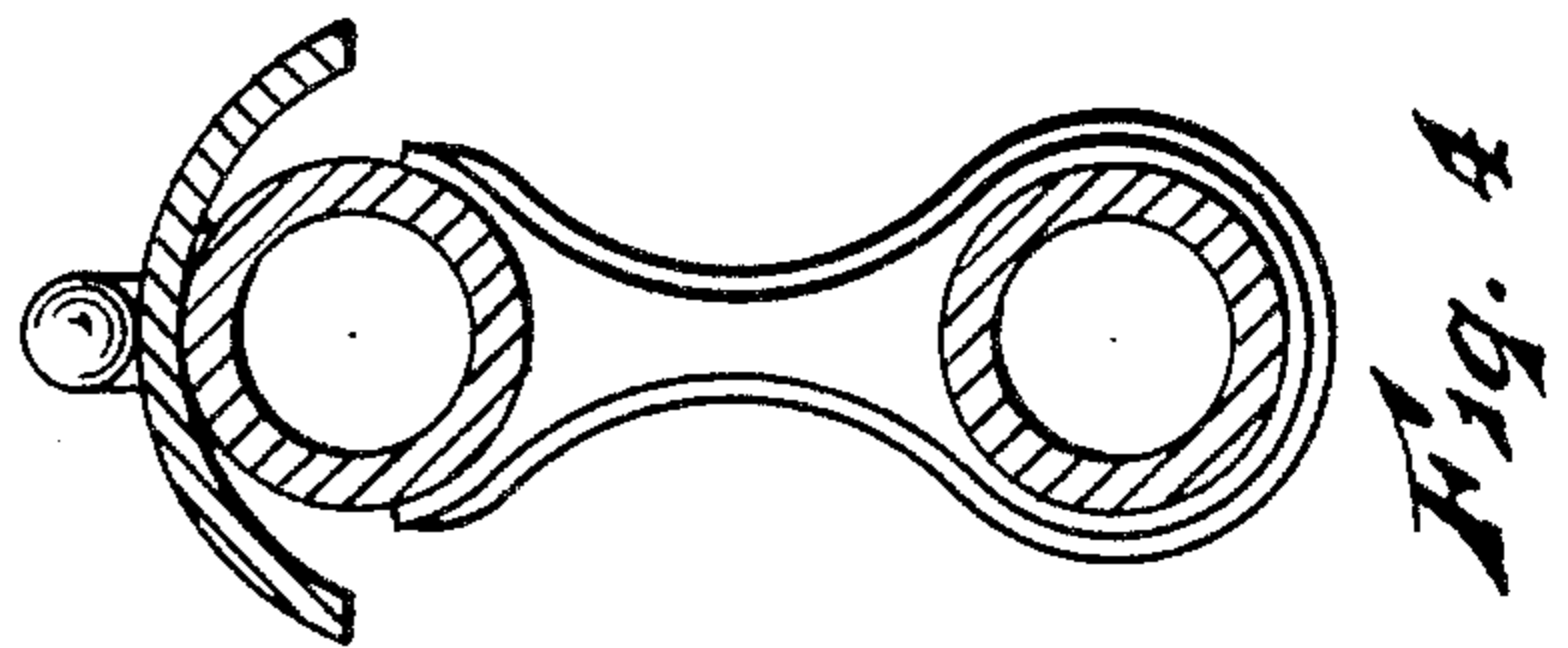


Fig. 4

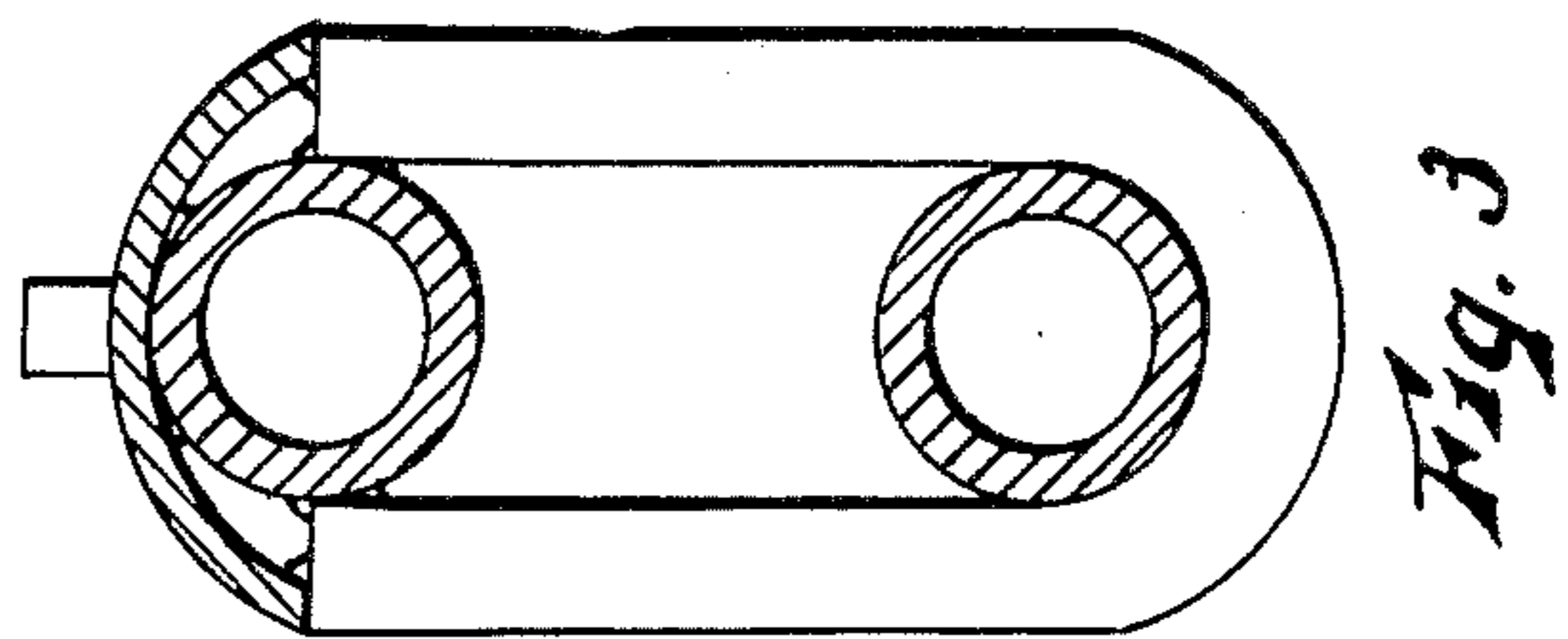


Fig. 3

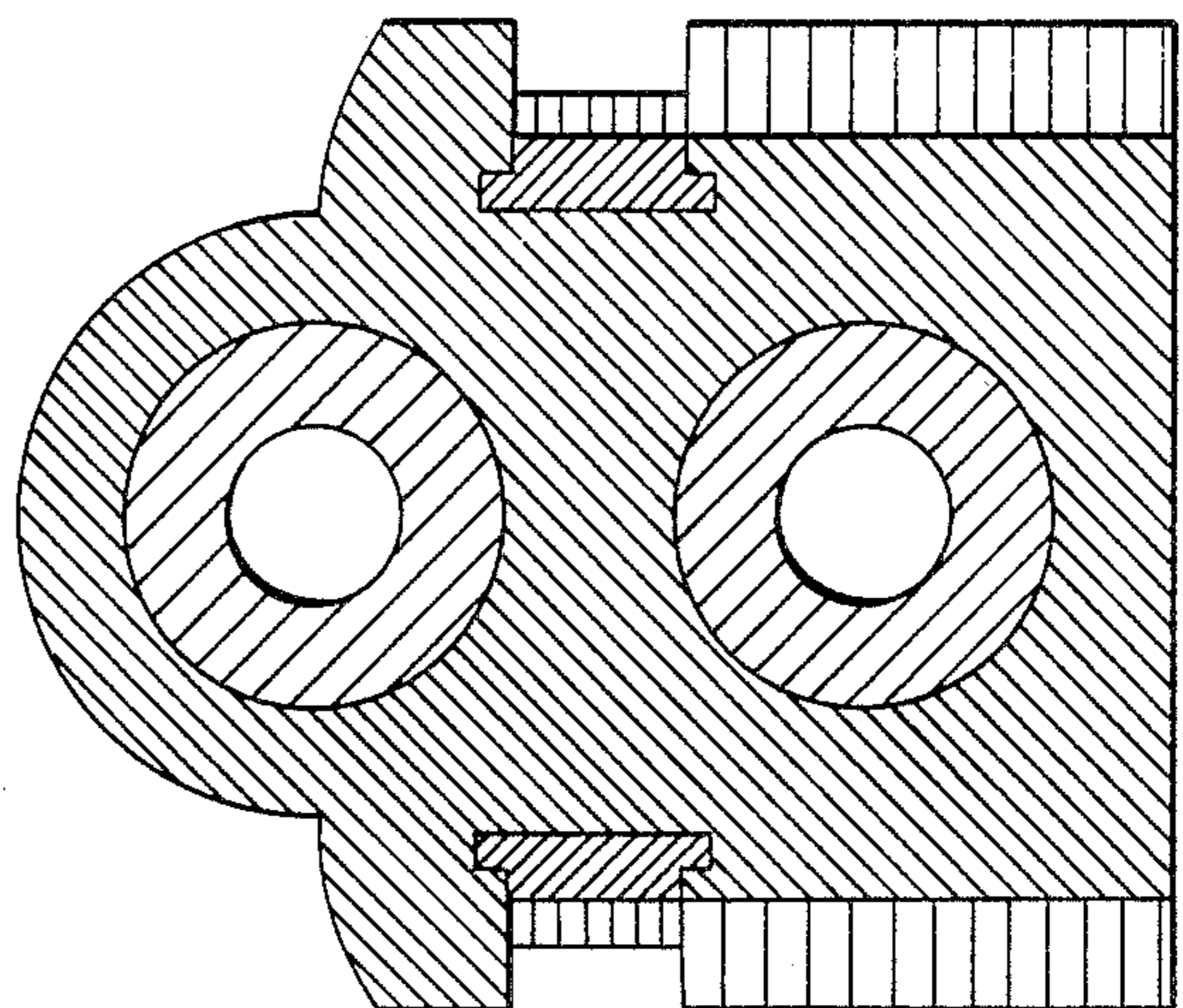


Fig. 5