

[54] TELEPHONE INDEX

[76] Inventor: Se-Kit Yuen, 46 Hoi Yuen Rd. 4th Floor, Kwun Tong, Kowloon, Hong Kong

[\*\*] Term: 14 Years

[21] Appl. No.: 706,520

[22] Filed: Jul. 19, 1976

[51] Int. Cl. .... D19-02

[52] U.S. Cl. .... D19/76

[58] Field of Search ..... D19/75, 76; 40/102, 40/104.03, 104.05

[56]

References Cited

U.S. PATENT DOCUMENTS

D. 198,416	6/1964	Laughlin .....	D19/76
D. 226,288	2/1973	Grief .....	D19/76
D. 232,867	9/1974	Yuen Se Kit .....	D19/76

Primary Examiner—Joel Stearman  
Assistant Examiner—George P. Word  
Attorney, Agent, or Firm—Thomas E. Beall, Jr.

[57]

CLAIM

The ornamental design for a telephone index, substantially as shown and described.

DESCRIPTION

FIG. 1 is a perspective view of a telephone index showing my new design;  
FIG. 2 is a right side elevational view;  
FIG. 3 is a rear elevational view;  
FIG. 4 is a perspective view of the telephone index in an open condition;

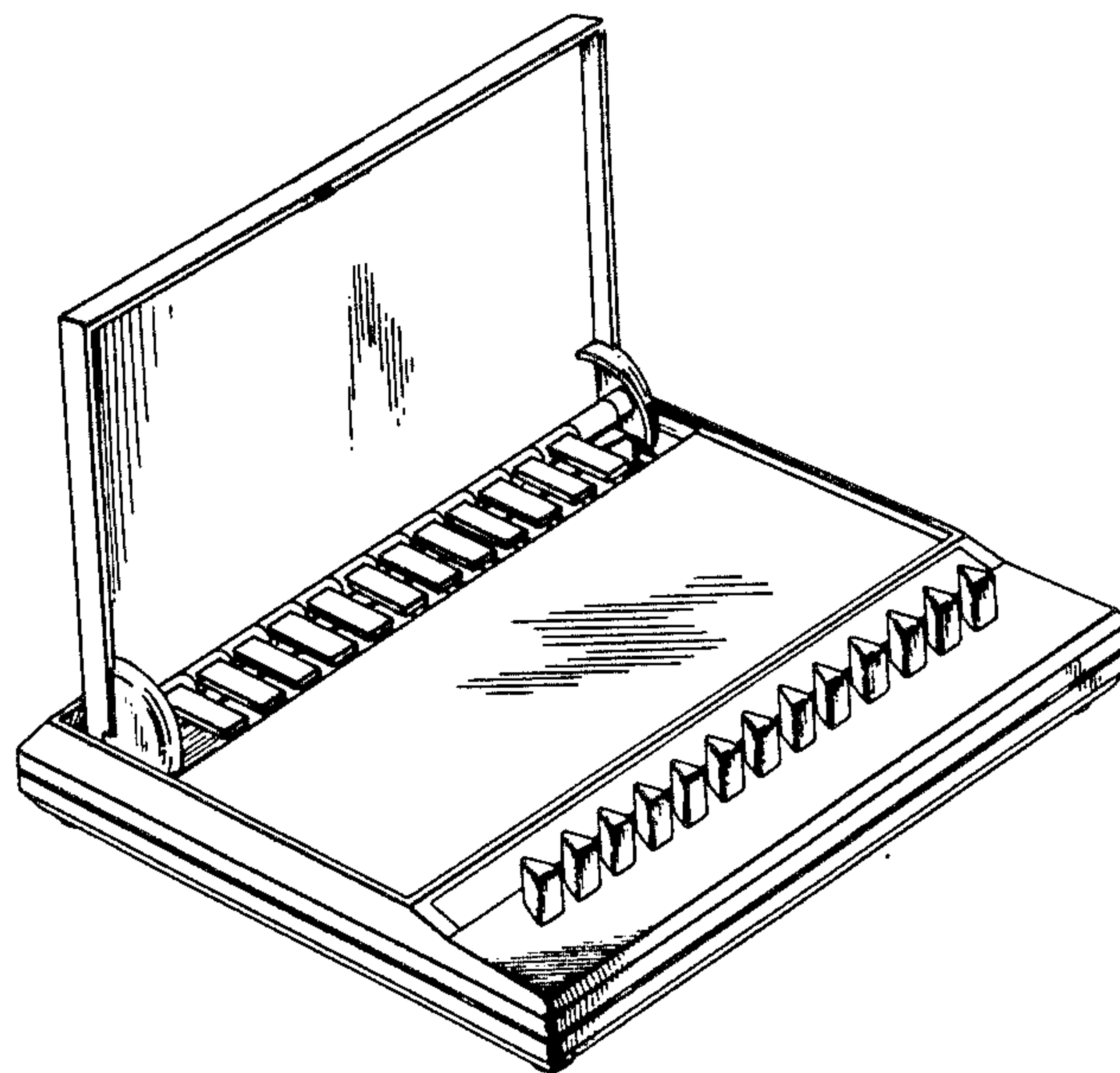
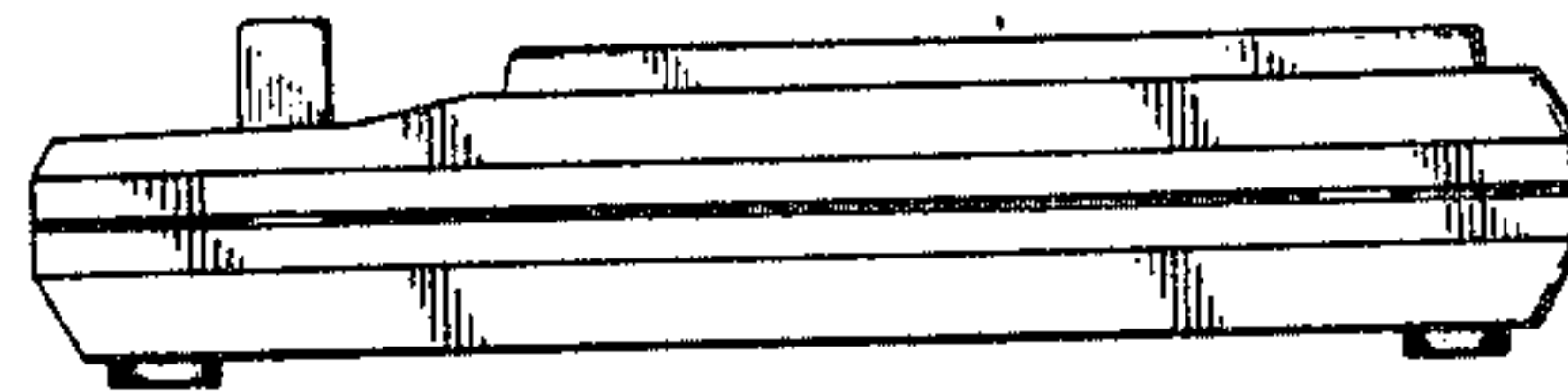


FIG. 1

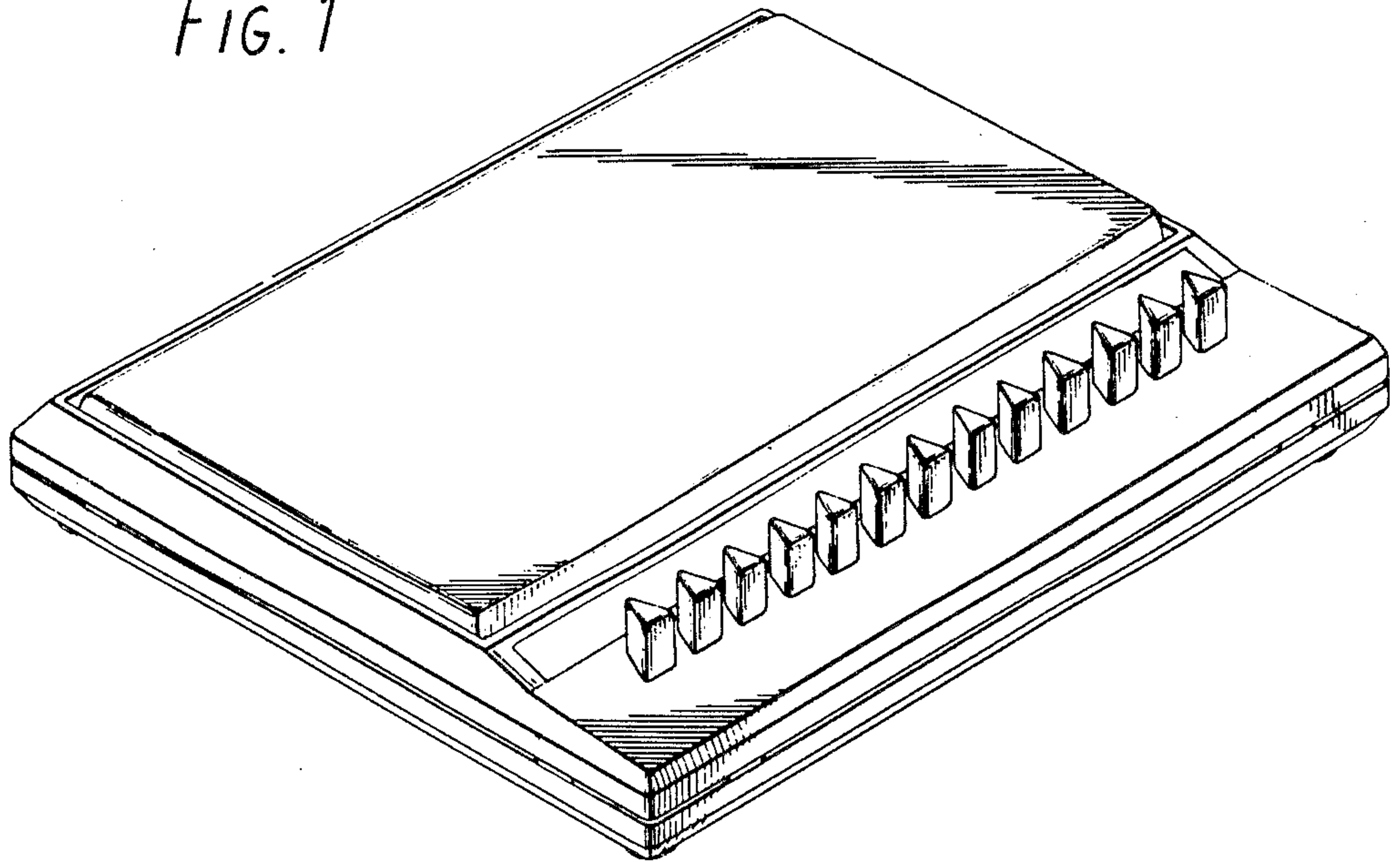


FIG. 2

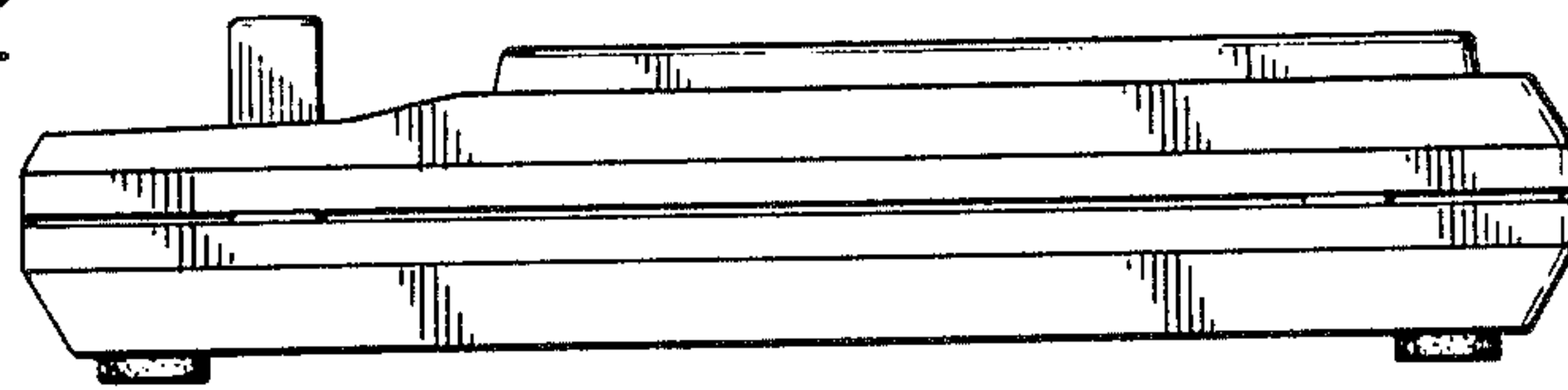
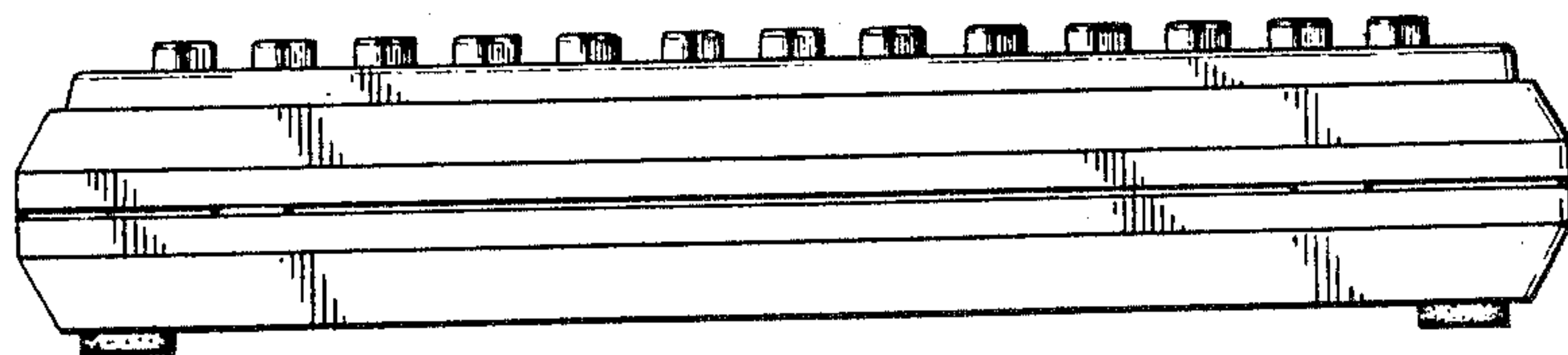


FIG. 3



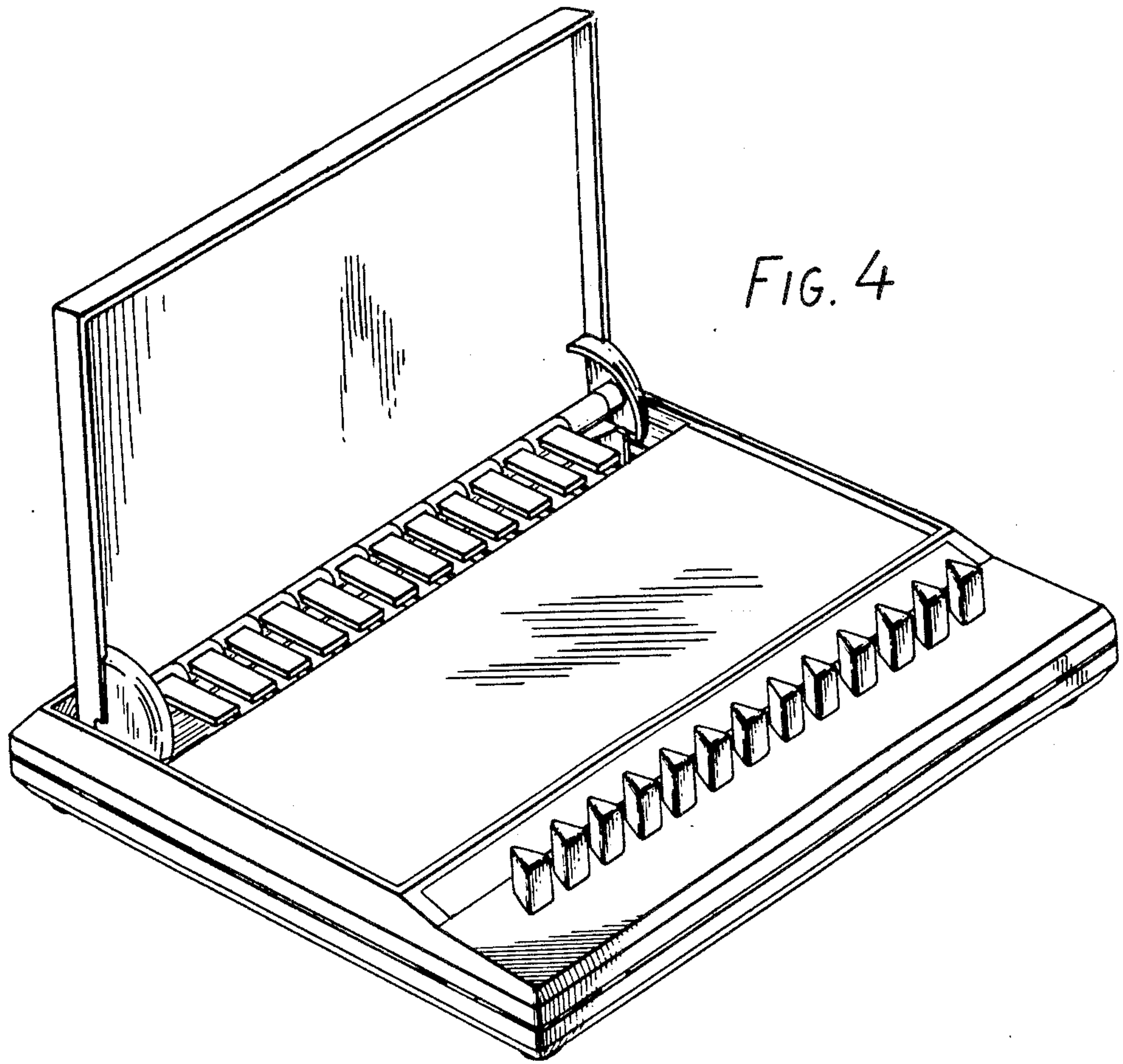


FIG. 5

