

[54] COMBINED SEWING MACHINE AND CASE THEREFOR

[75] Inventor: Fritz Gegauf, Steckborn, Switzerland

[73] Assignee: Fritz Gegauf Aktiengesellschaft Bernina-Nähmaschinenfabrik, Steckborn, Switzerland

[**] Term: 14 Years

[21] Appl. No.: 654,105

[22] Filed: Feb. 2, 1976

[51] Int. Cl. D15-06; D3-02

[52] U.S. Cl. D15/68; D15/70; D15/75; D87/1 R

[58] Field of Search D15/68-76, D15/78; D87/1 R

[56] References Cited

U.S. PATENT DOCUMENTS

D. 94,457	1/1935	Williamson	D87/1 R
D. 224,943	10/1972	Fresard	D15/70
D. 229,727	12/1973	Genaro	D87/1 R
D. 237,318	10/1975	Zanuso et al.	D87/1 R

OTHER PUBLICATIONS

Sew Business, 6-74, p. 41, Viking Model #6430.

Primary Examiner—Winifred E. Herrmann

Assistant Examiner—J. Corrigan

Attorney, Agent, or Firm—John J. McGlew

[57] CLAIM

The ornamental design for a combined sewing machine and case therefor, as shown and described.

DESCRIPTION

FIG. 1 is a front, top and left side perspective view of a combined sewing machine and case therefor showing my new design with the case in opened condition;

FIG. 2 is a top plan view;

FIG. 3 is a front elevational view;

FIG. 4 is a left side elevational view;

FIG. 5 is a right side elevational view;

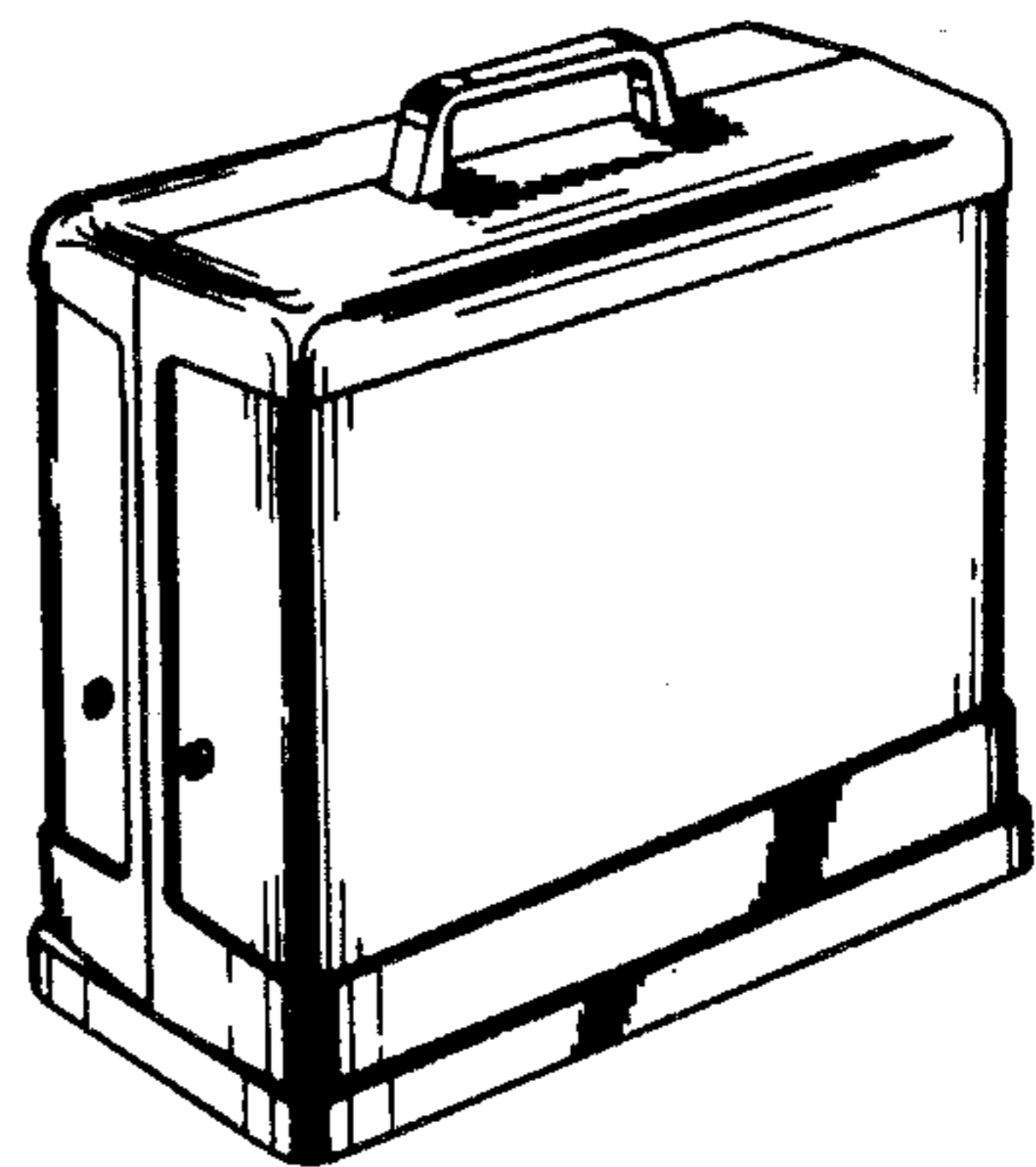
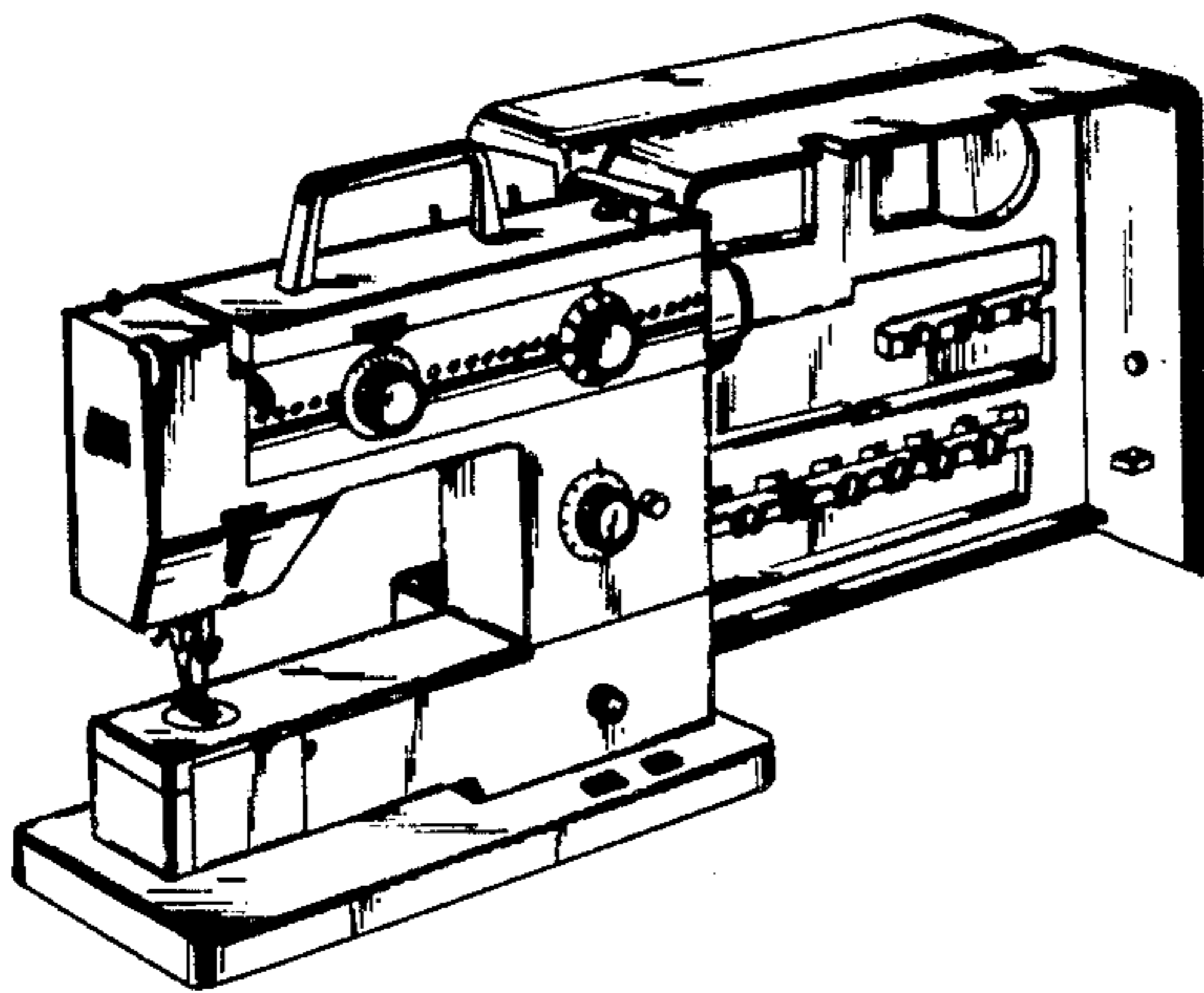
FIG. 6 is a rear elevational view;

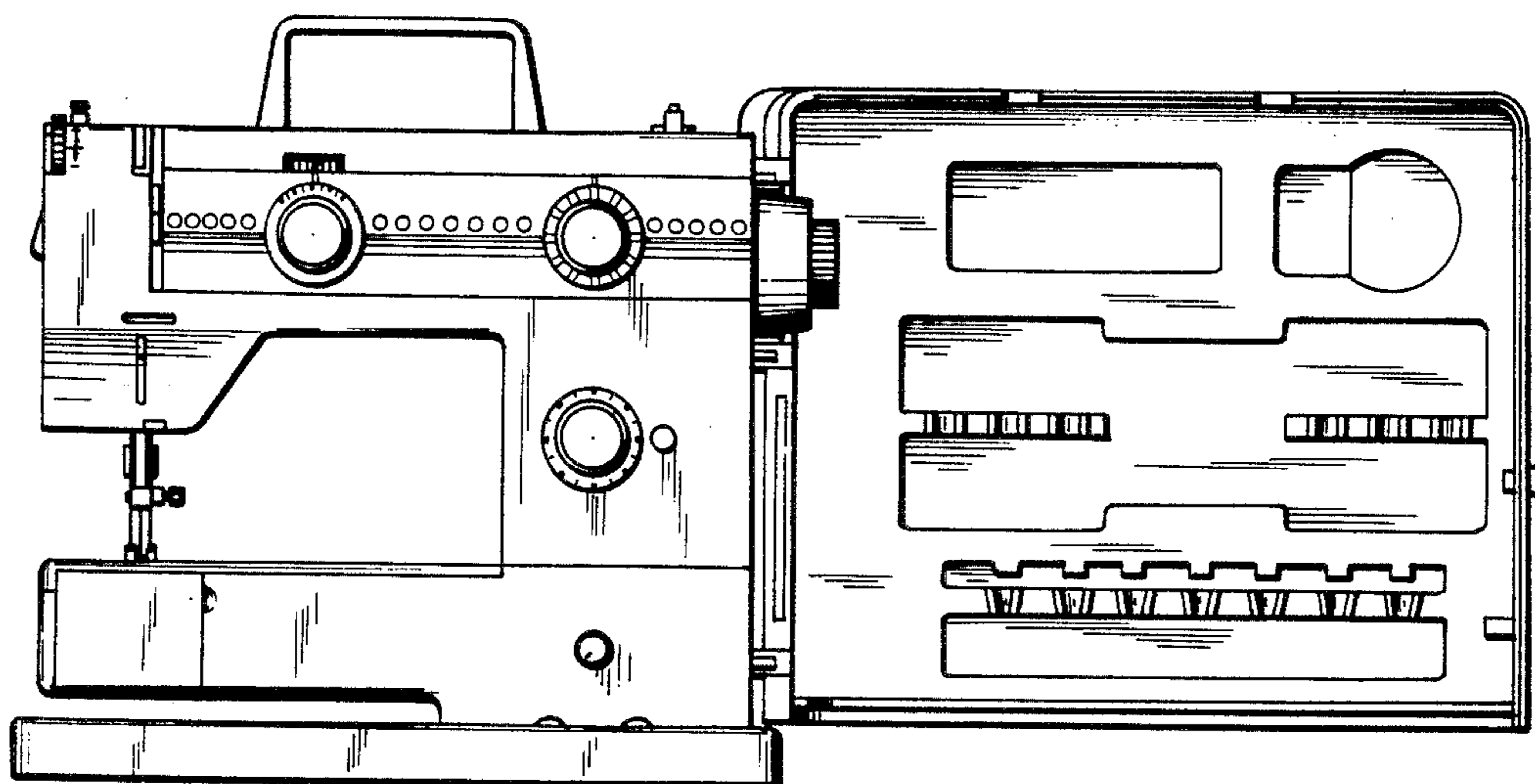
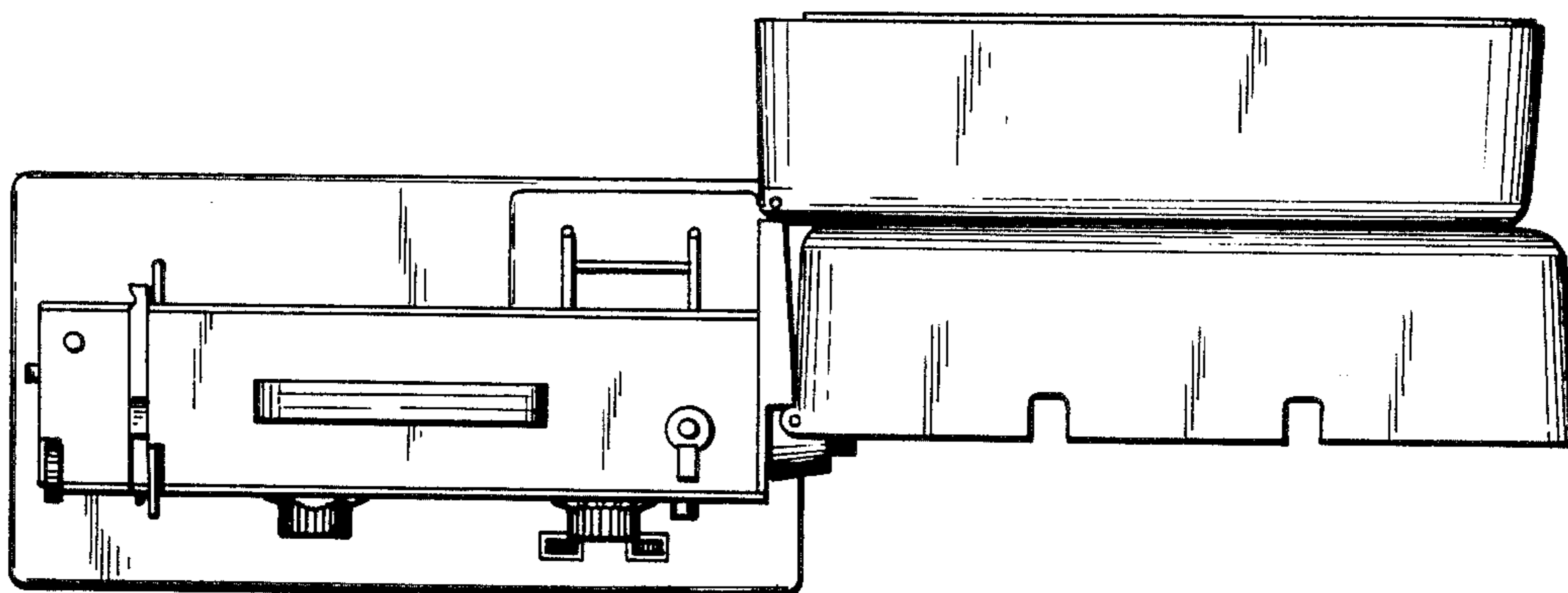
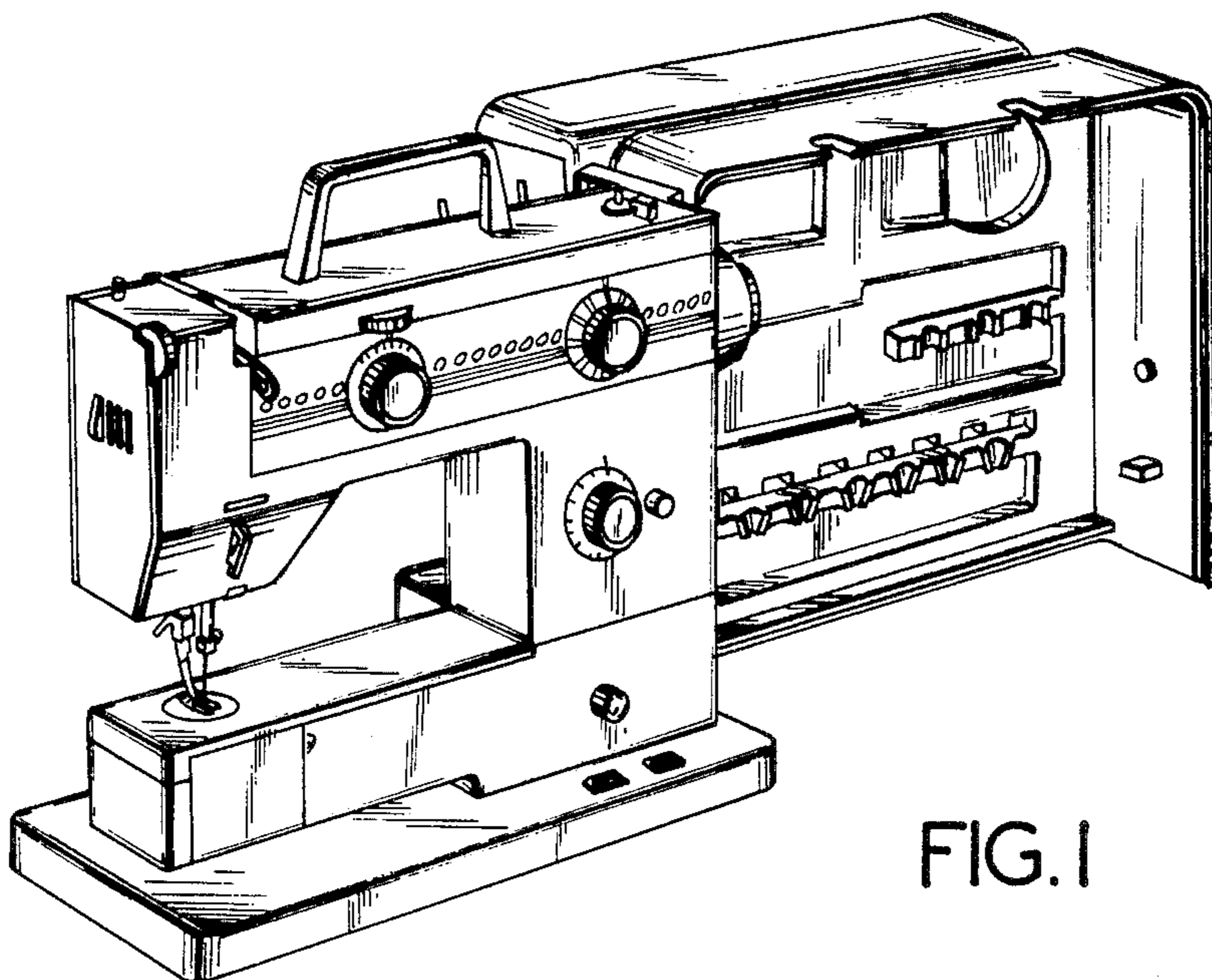
FIG. 7 is a view similar to FIG. 1 with the case in closed condition;

FIG. 8 is a view similar to FIG. 5 with the case in closed condition; and

FIG. 9 is a view similar to FIG. 6 with the case in closed condition; and

FIG. 10 is a view similar to FIG. 2 with the case in closed condition.





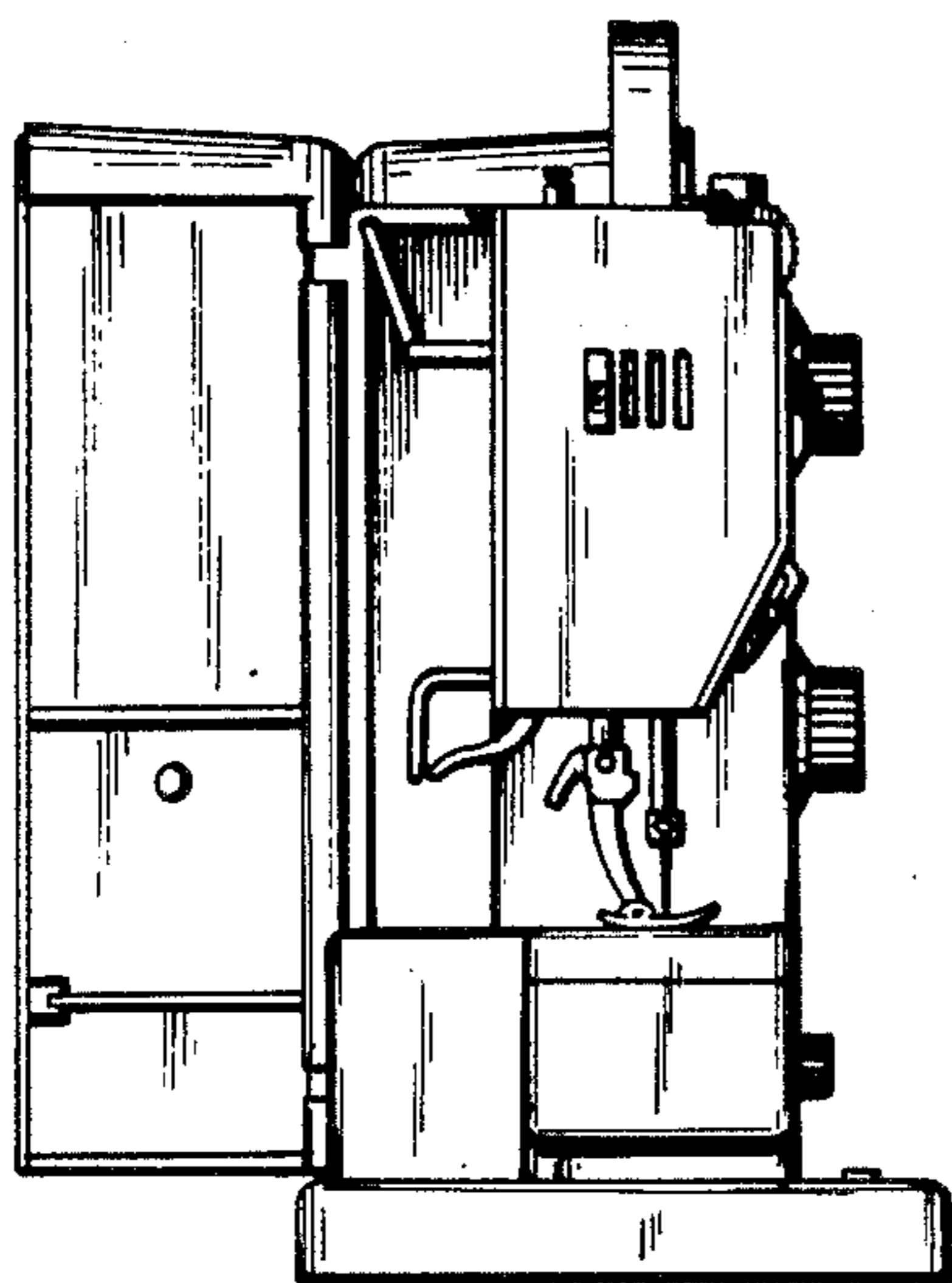


FIG. 4

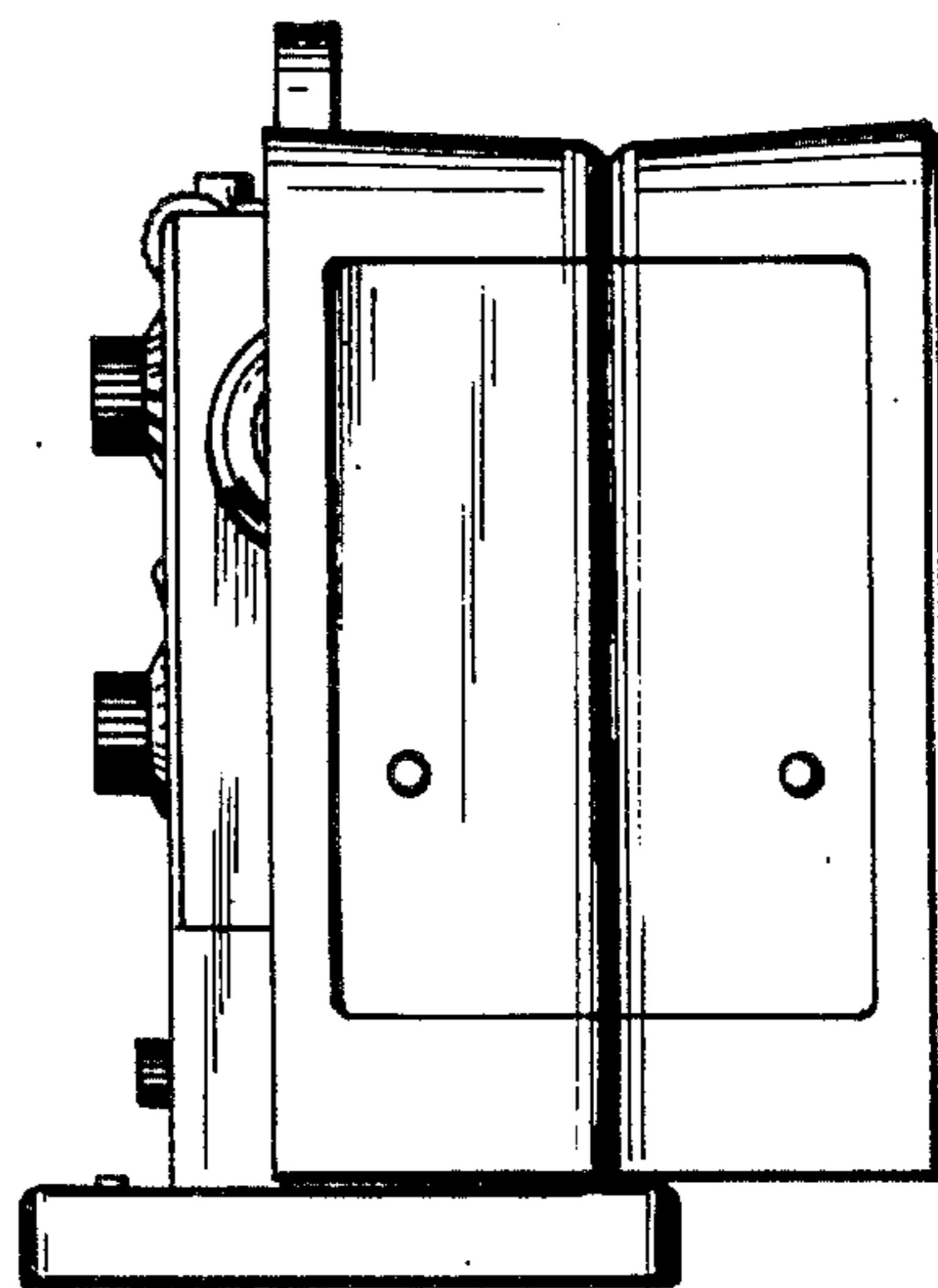


FIG. 5

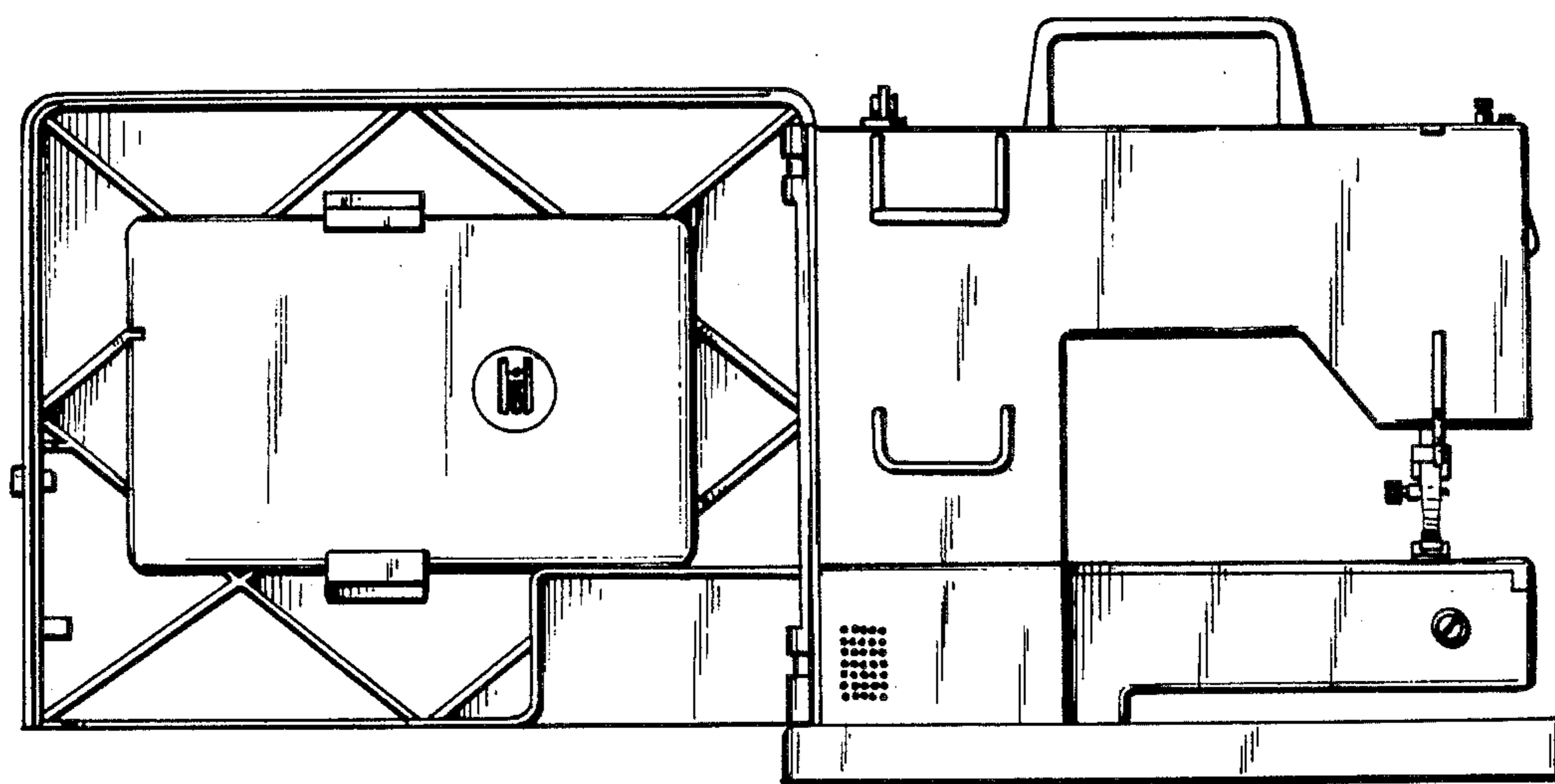


FIG. 6

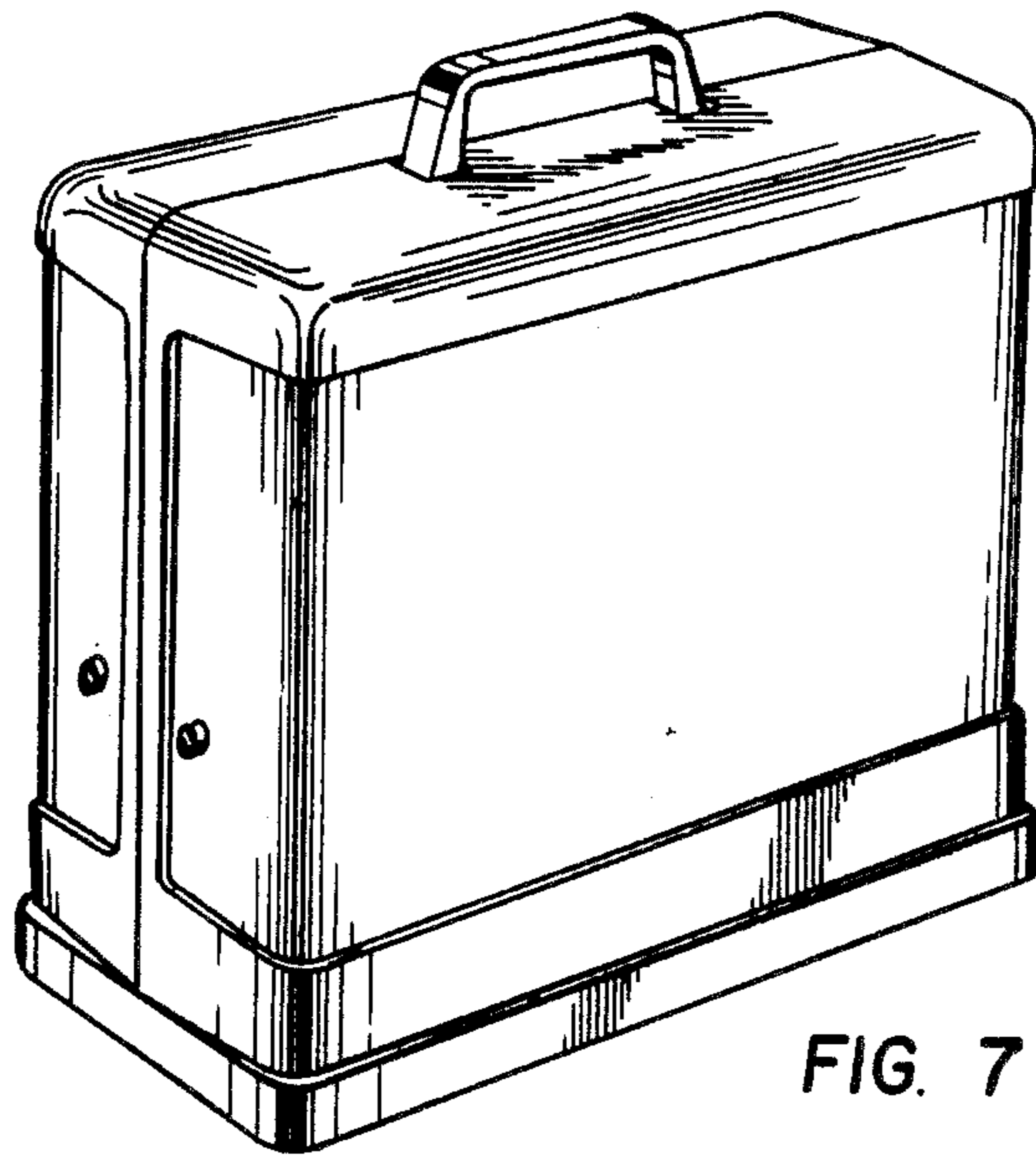


FIG. 7

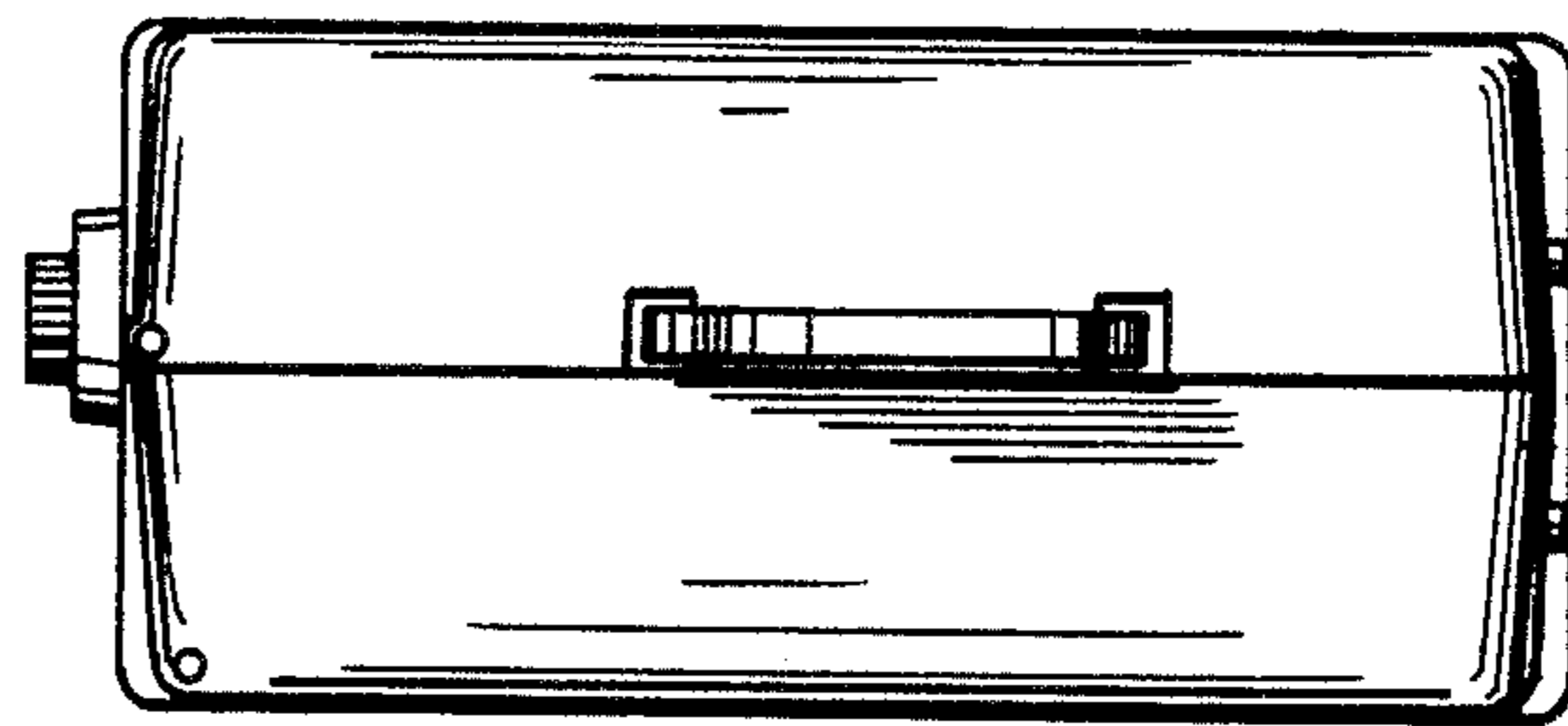


FIG. 10

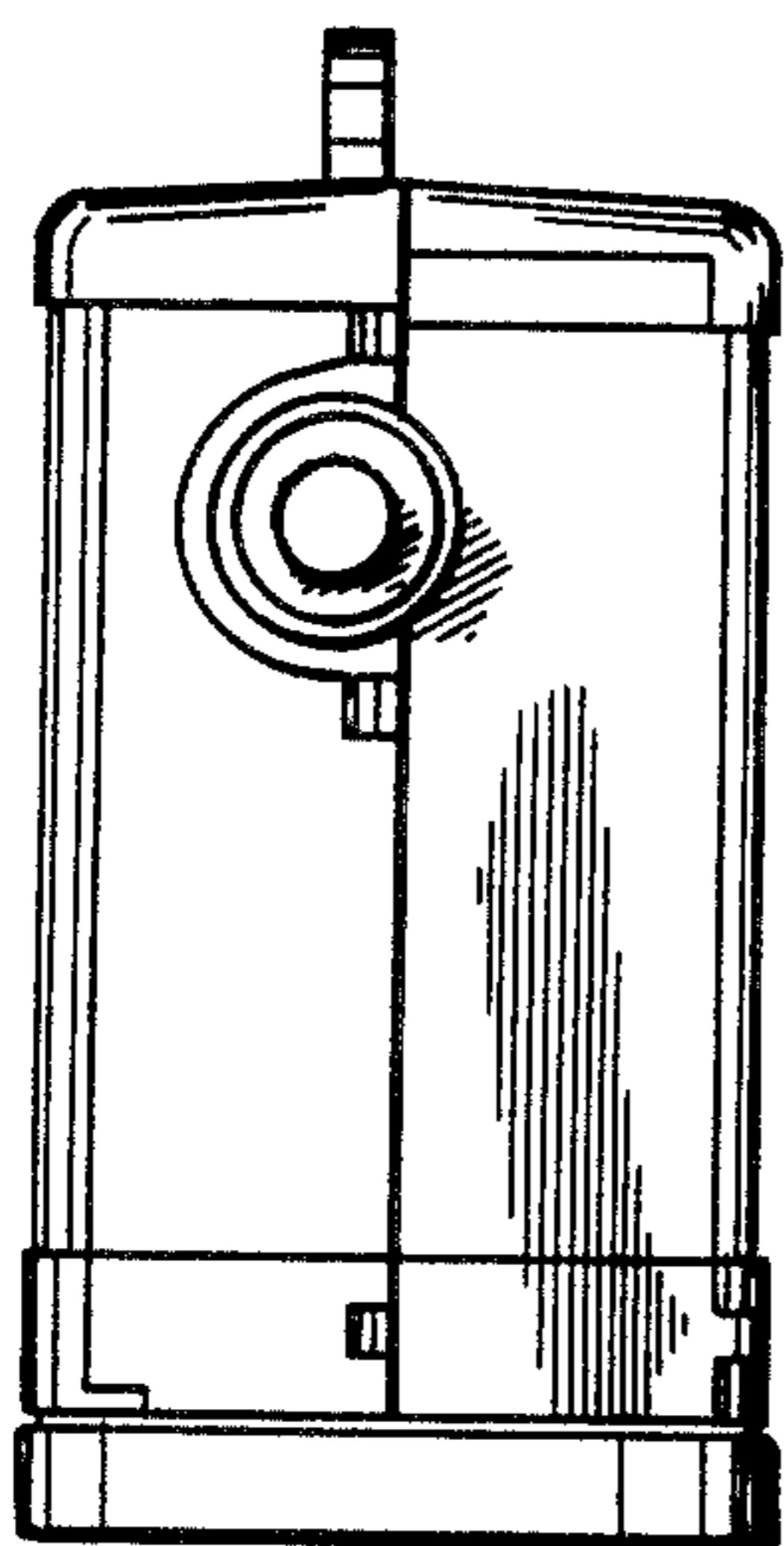


FIG. 8

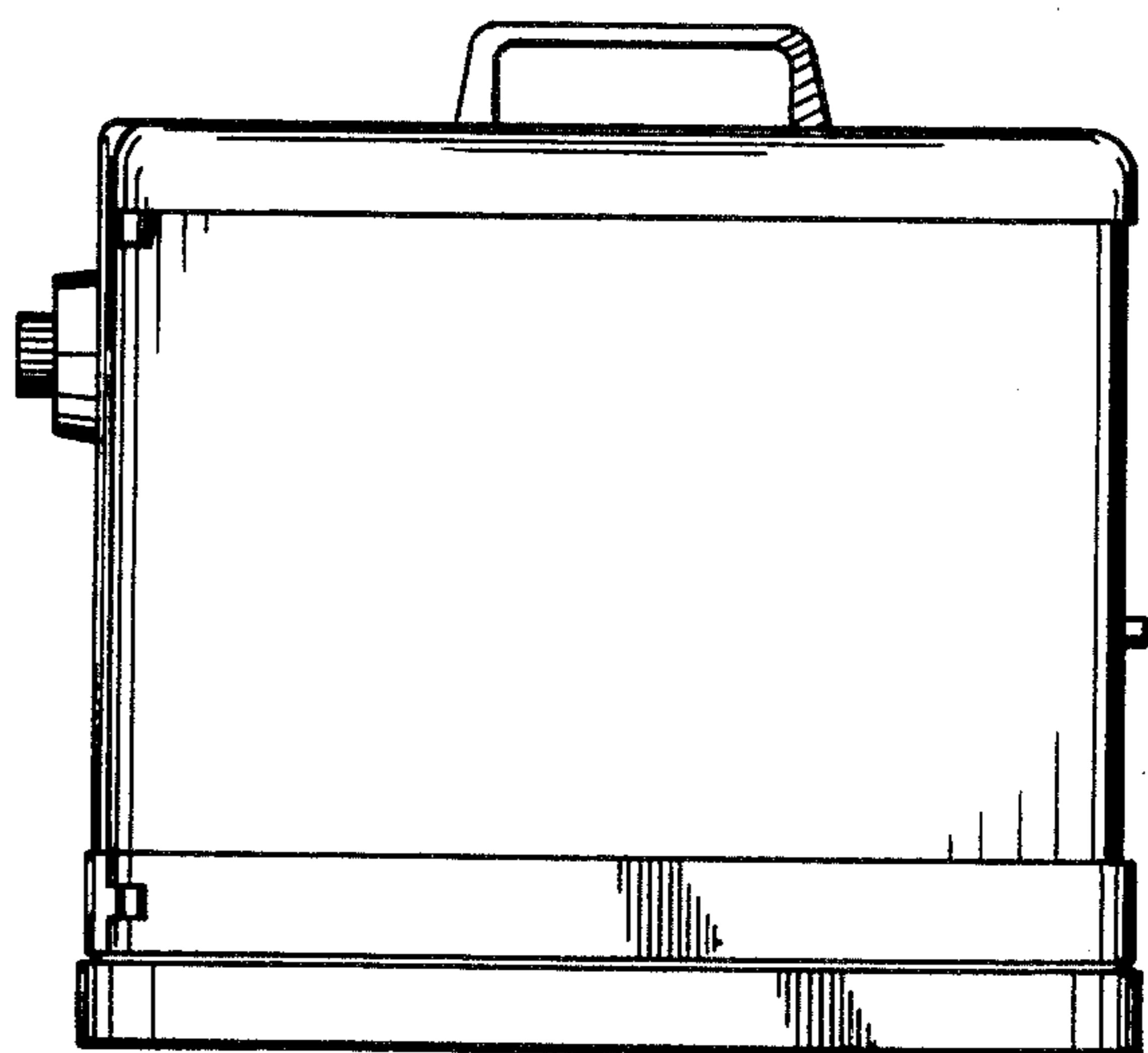


FIG. 9