

[54] ELECTRICAL BATTERY TEST INSTRUMENT

[76] Inventors: David J. Jacobson, 811 The Parkway, Mamaroneck, N.Y. 10243; Marvin Zaro, 405 E. 63rd St., New York, N.Y. 10021

[**] Term: 14 Years

[21] Appl. No.: 754,974

[22] Filed: Dec. 28, 1976

[51] Int. Cl. D10-04

[52] U.S. Cl. D10/77

[58] Field of Search D10/75, 77, 78, 46, D10/80, 81; 324/29.5, 156; 340/249

[56] References Cited

U.S. PATENT DOCUMENTS

D. 214,088	5/1969	Bellafore	D10/77
D. 236,442	8/1975	Steele	D10/77
2,833,984	5/1958	Eickhoff	324/29.5
3,927,367	12/1975	Franklin	324/29.5

Primary Examiner—Nelson C. Holtje
Attorney, Agent, or Firm—Willis H. Taylor, Jr.

[57] CLAIM

The ornamental design for an electrical battery test instrument, substantially as shown and described.

DESCRIPTION

FIG. 1 is a front perspective view of an electrical battery test instrument showing our new design; FIG. 2 is a front elevational view thereof; FIG. 3 is a left side elevational view thereof, the right side being a mirror image thereto; FIG. 4 is a rear elevational view thereof; FIG. 5 is a top plan view thereof; and FIG. 6 is a bottom plan view thereof.

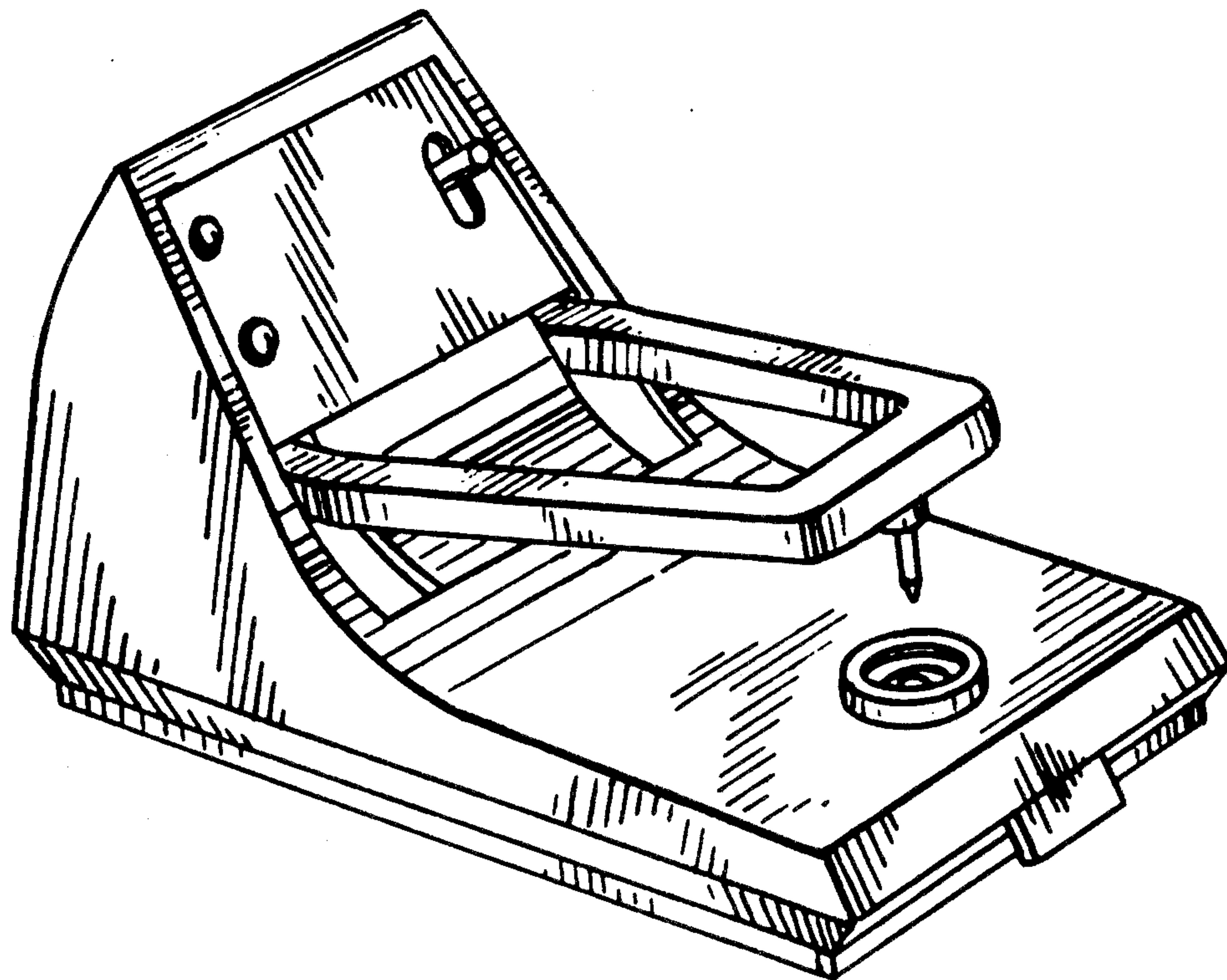


FIG. 1

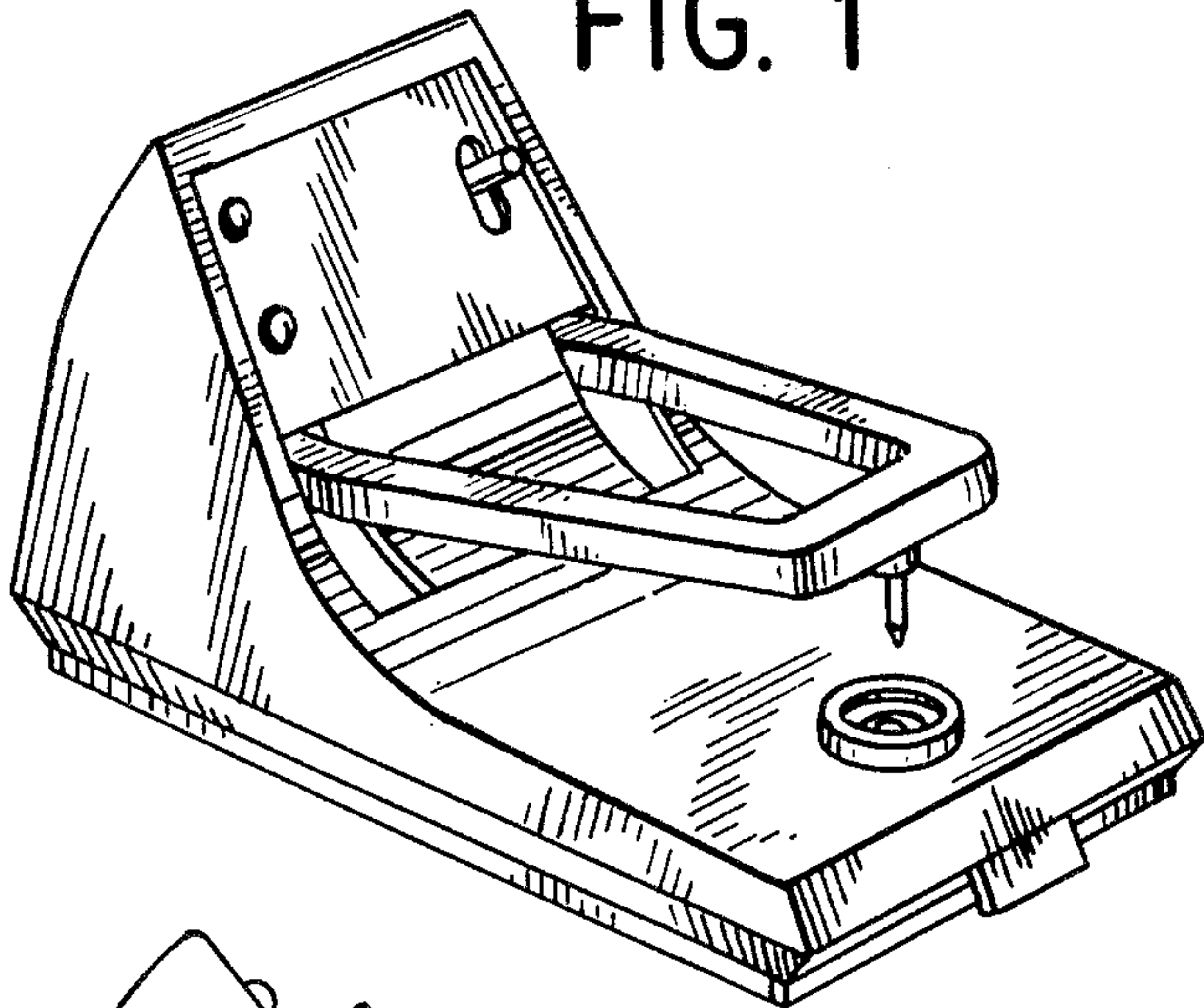


FIG. 2

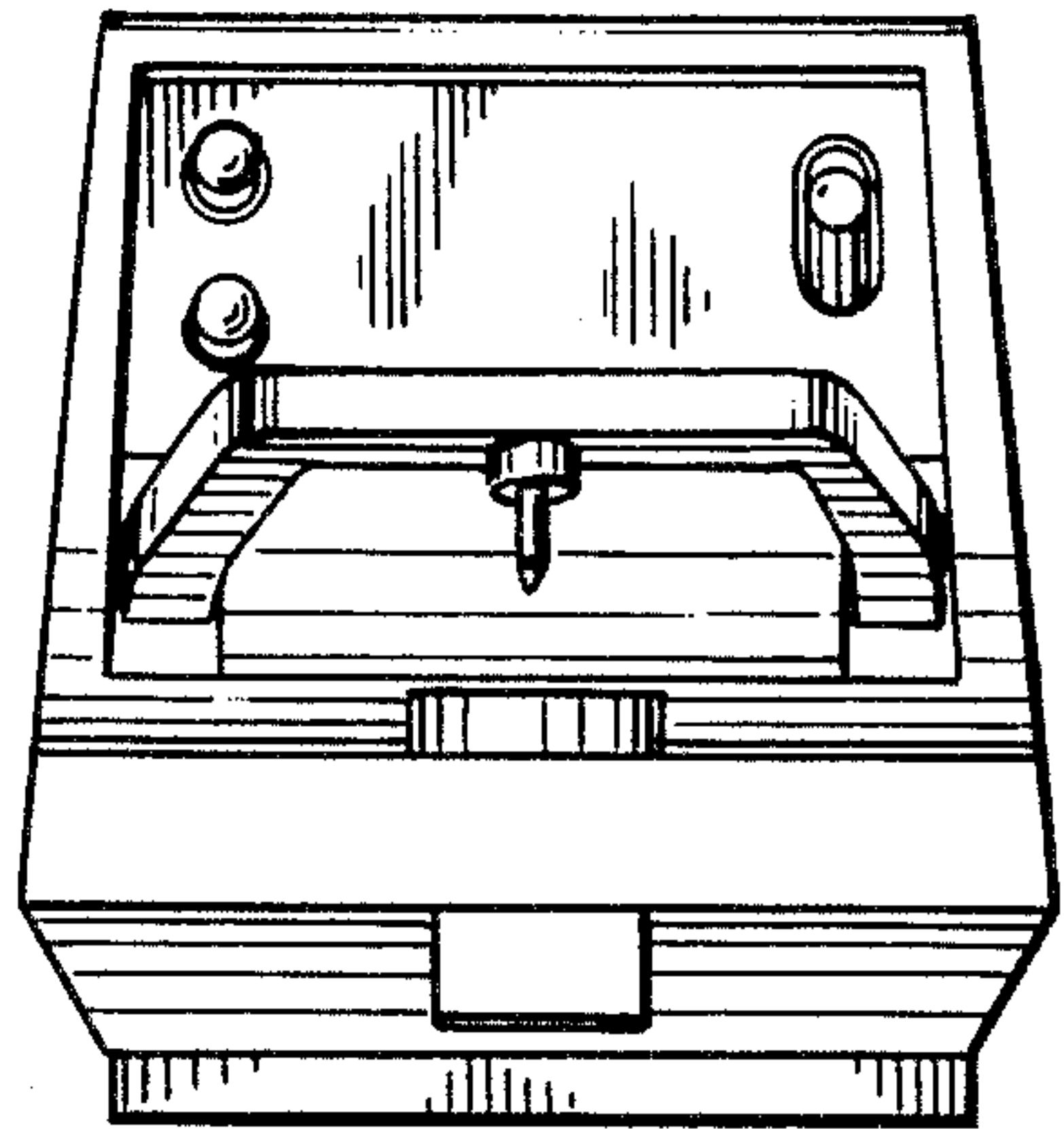


FIG. 3

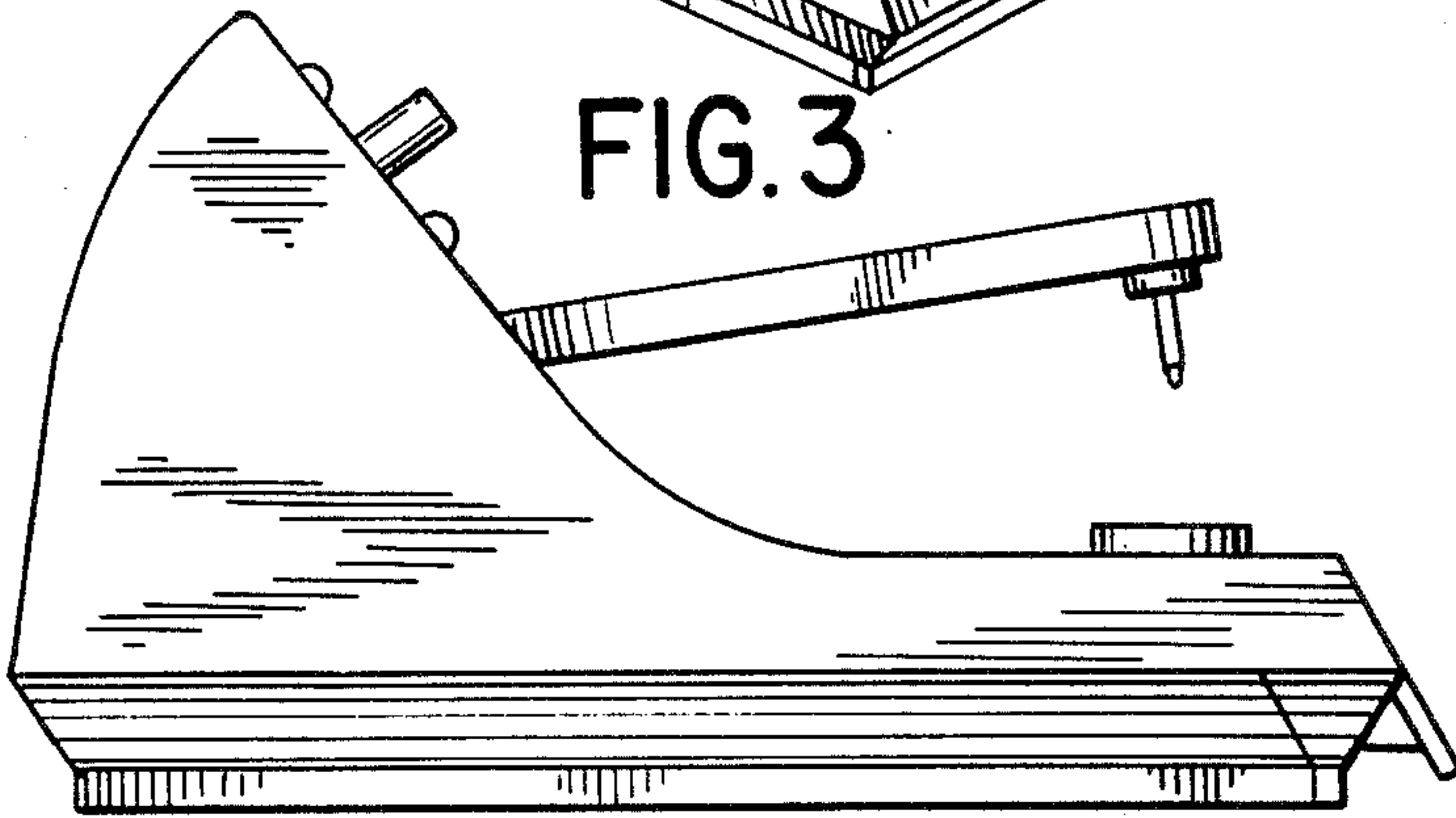


FIG. 4

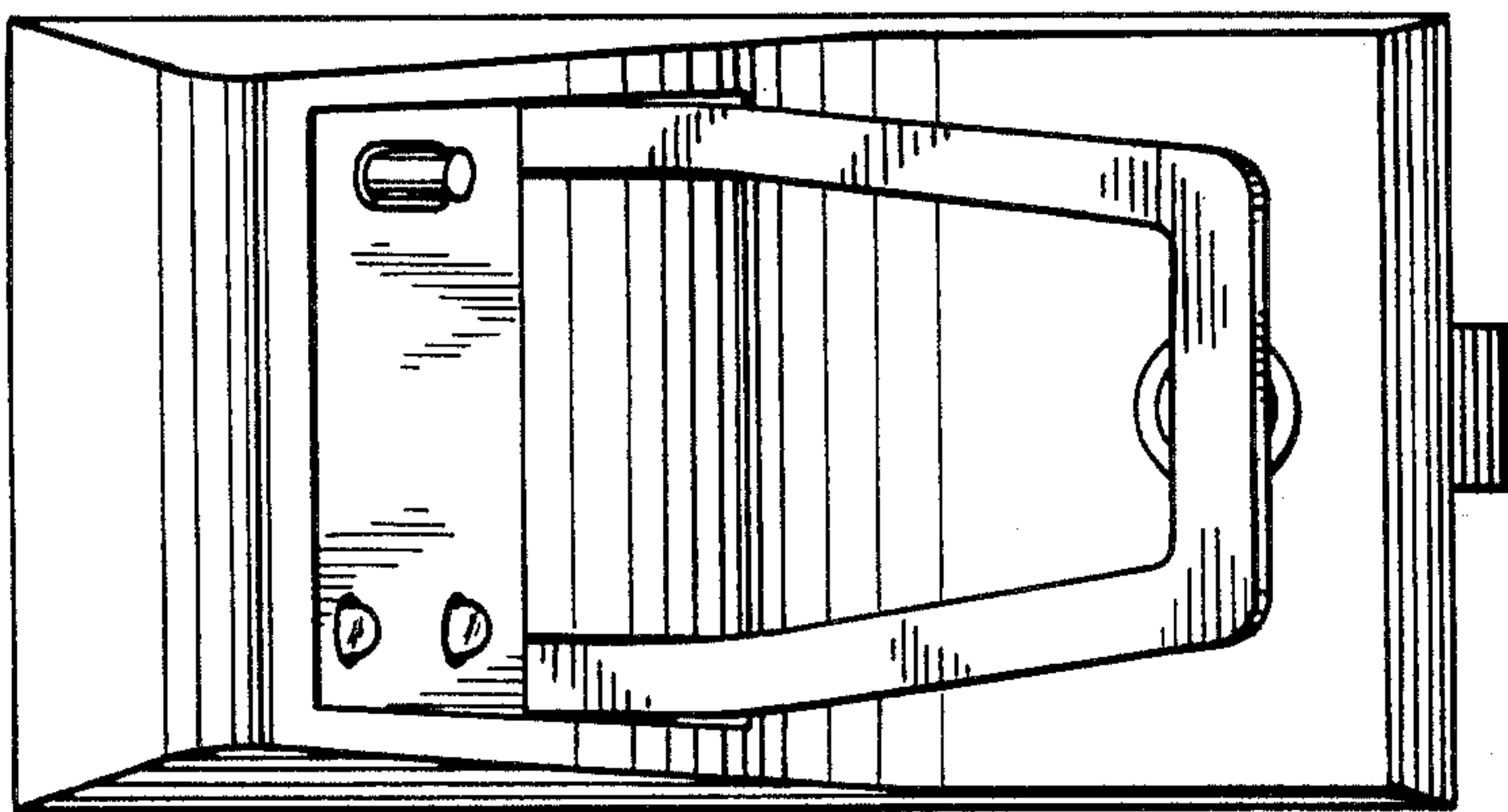
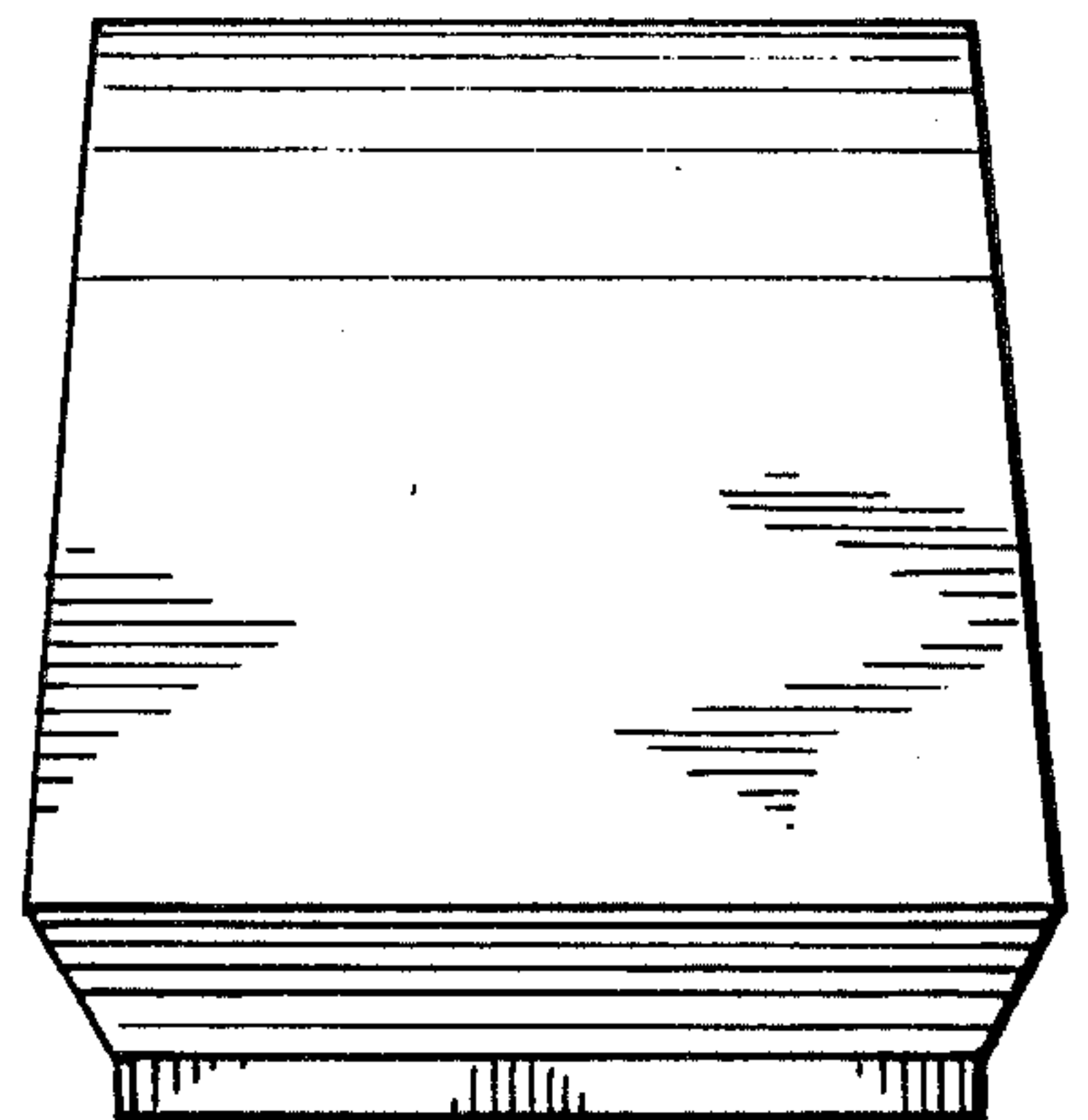


FIG. 5

FIG. 6

