

[54] CANDY DISPENSER

[75] Inventor: Walter Stern, Wilmette, Ill.

[73] Assignee: Warner-Lambert Company, Morris Plains, N.J.

[**] Term: 14 Years

[21] Appl. No.: 693,404

[22] Filed: Jun. 7, 1976

[51] Int. Cl. D9-03

[52] U.S. Cl. D9/224; D9/27; D52/2 C

[58] Field of Search 221/25, 26, 70, 71; 229/17 R-17 C; D9/222-240, 27, 195; D52/2 B, 2 C

[56] References Cited

U.S. PATENT DOCUMENTS

D. 201,766	7/1965	Perkins	D52/2 C
2,490,368	12/1949	Millstein	D9/27 X
3,127,054	3/1964	Meyers	221/25
3,362,578	1/1968	Spencer	221/25
3,454,194	7/1969	Becket	221/71

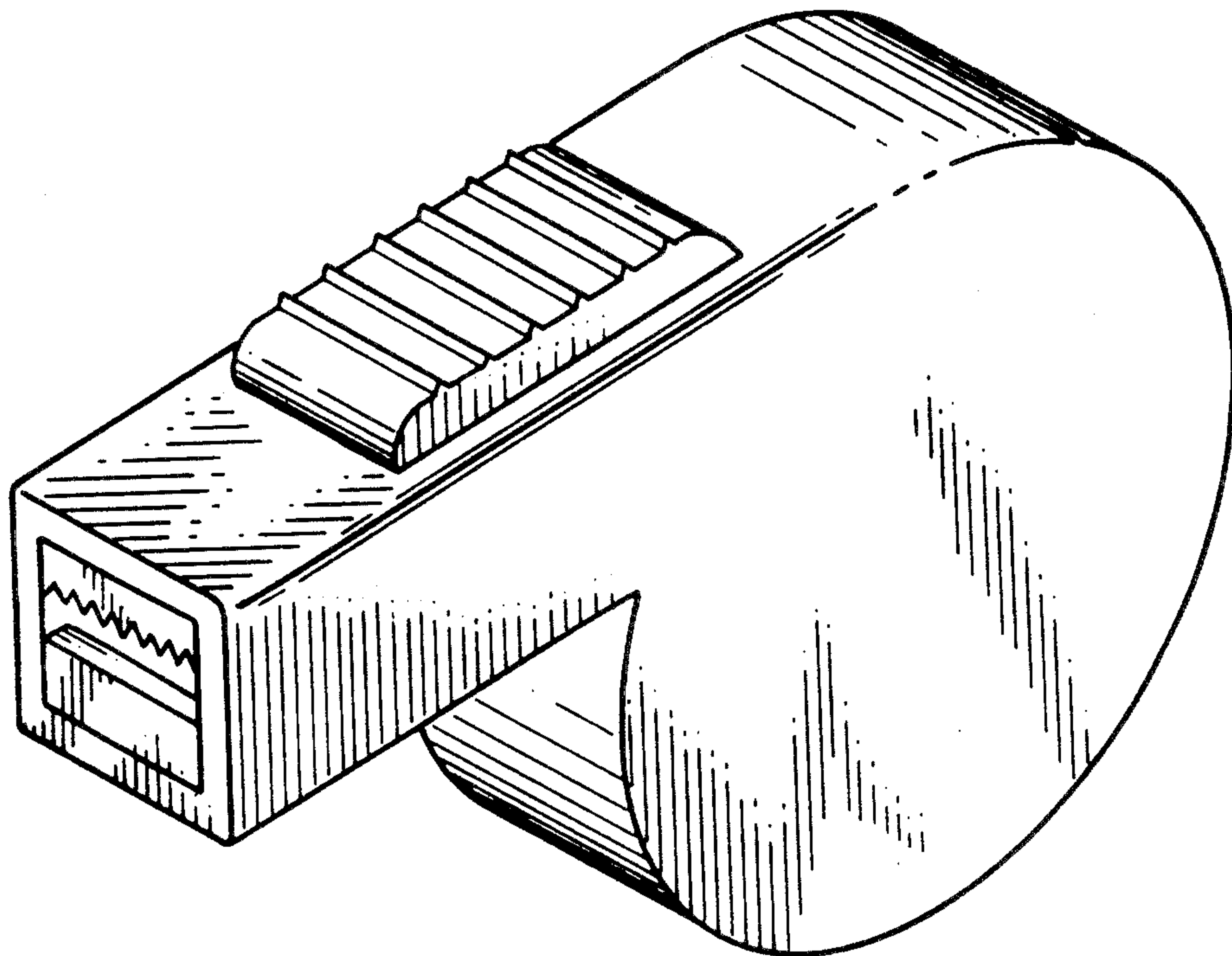
Primary Examiner—Robert C. Spangler
Attorney, Agent, or Firm—Albert H. Graddis

[57] CLAIM

The ornamental design for a candy dispenser, substantially as shown and described.

DESCRIPTION

FIG. 1 is a perspective view of a candy dispenser showing my new design;
FIG. 2 is a side elevational view showing the side not seen in FIG. 1; and
FIG. 3 is a front elevational view thereof.
The rear and bottom are unornamented.



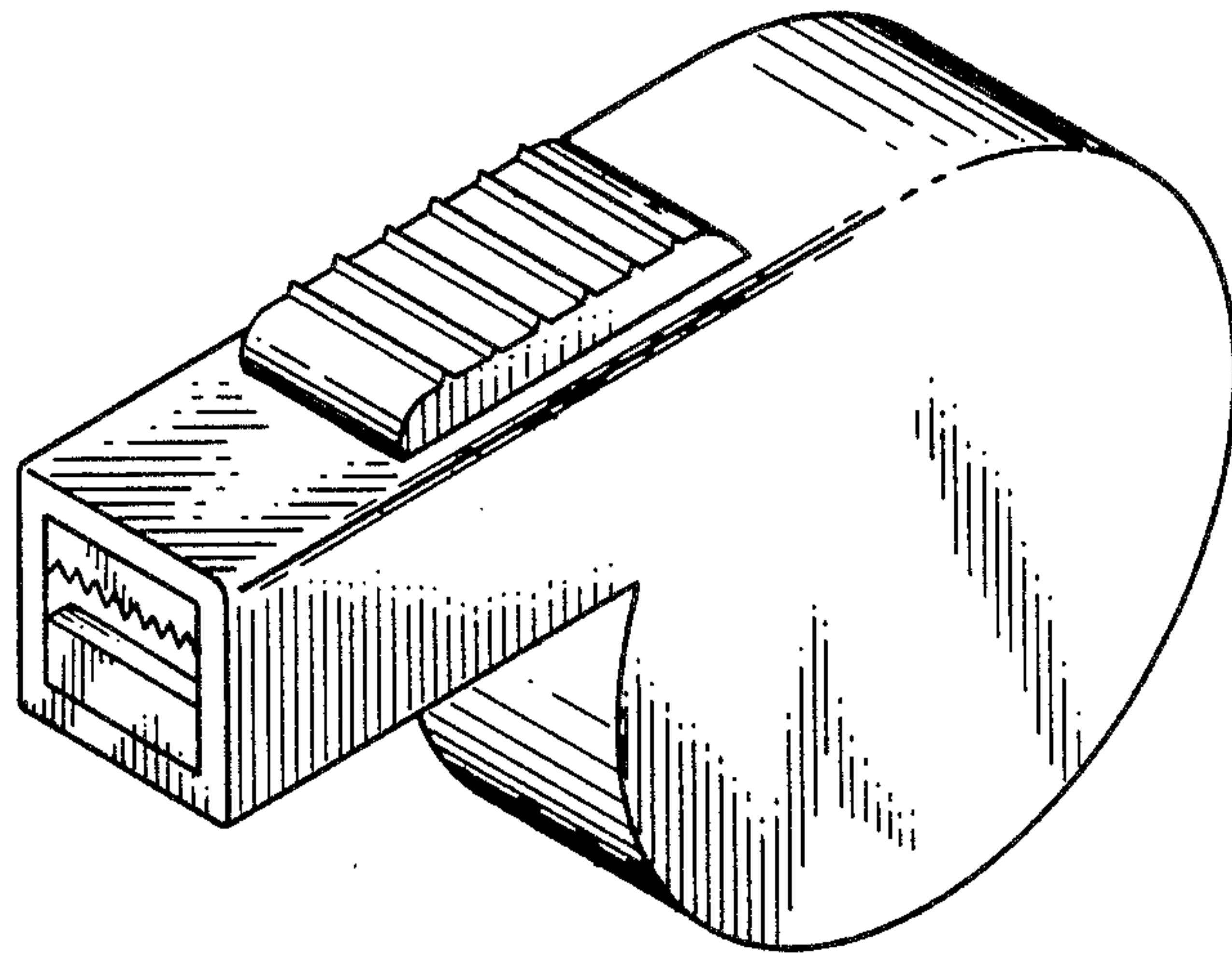


FIG. 1

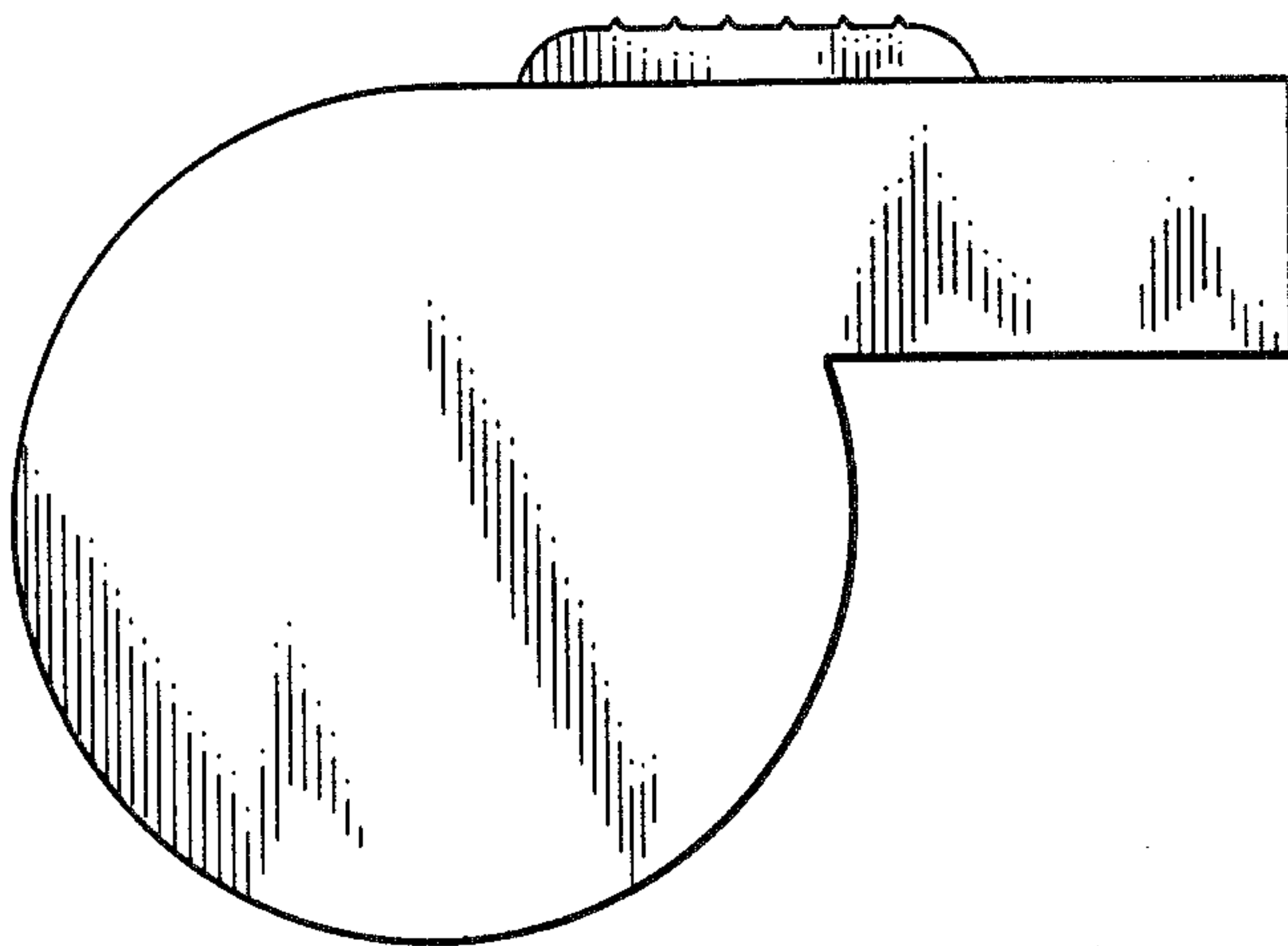


FIG. 2

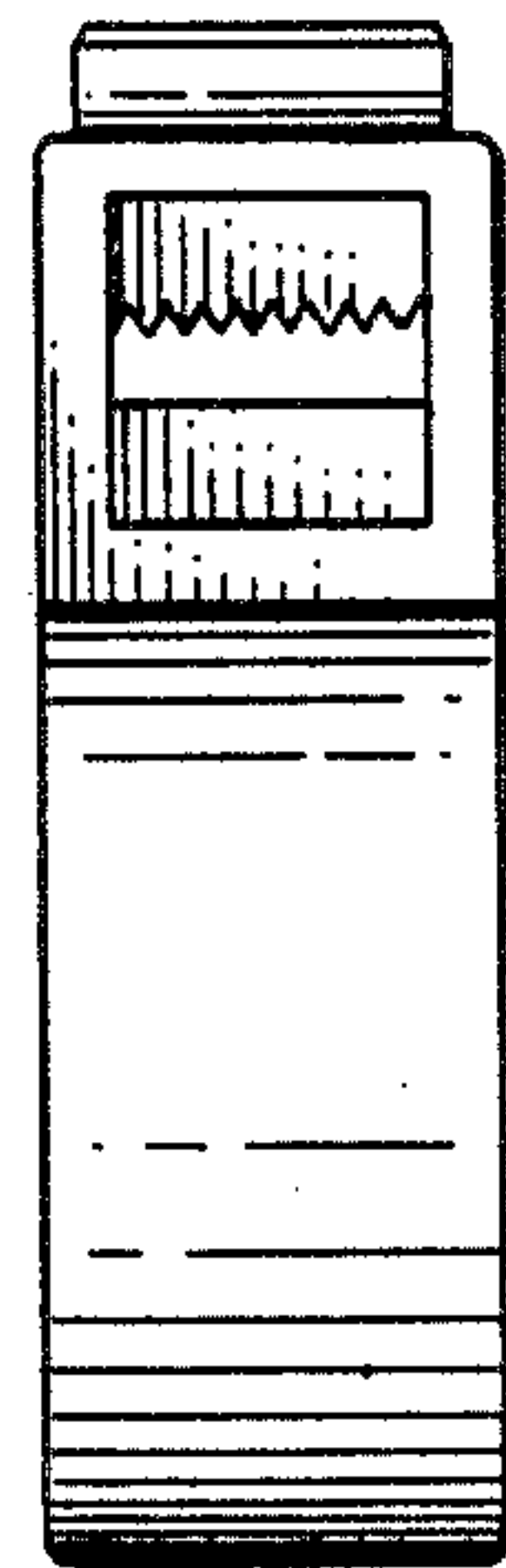


FIG. 3