

[54] BIASED CUP CLAMP

[75] Inventors: Kiyoshi Takahashi; Akira Takahashi; Kazuo Takahashi; Takeshi Takahashi, all of Tokyo, Japan

[73] Assignee: Polachek, Saulsbury & Hough, New York, N.Y.

[**] Term: 14 Years

[21] Appl. No.: 716,167

[22] Filed: Aug. 20, 1976

[51] Int. Cl. D8-08

[52] U.S. Cl. D8/395; D24/99; 47/6

[58] Field of Search 128/303, 321, 324, 305.5; D8/394, 395; D24/99; 47/6; 24/137 R, 255, 67.9, 259, 81 CC

[56]

References Cited

U.S. PATENT DOCUMENTS

D. 201,111	5/1965	Fleming	D8/395
D. 229,033	11/1973	Cooper	D8/395
2,844,913	7/1958	Brill, Jr.	47/6
3,050,905	8/1962	Vlaeminck	47/6
3,600,764	10/1969	Froehlich, Jr.	24/137 R
3,613,242	12/1966	Hill et al.	128/305.5 X
3,906,957	9/1975	Weston	128/321
3,982,307	9/1976	Smith	24/137 R X

Primary Examiner—Bernard Ansher

Attorney, Agent, or Firm—William T. Hough

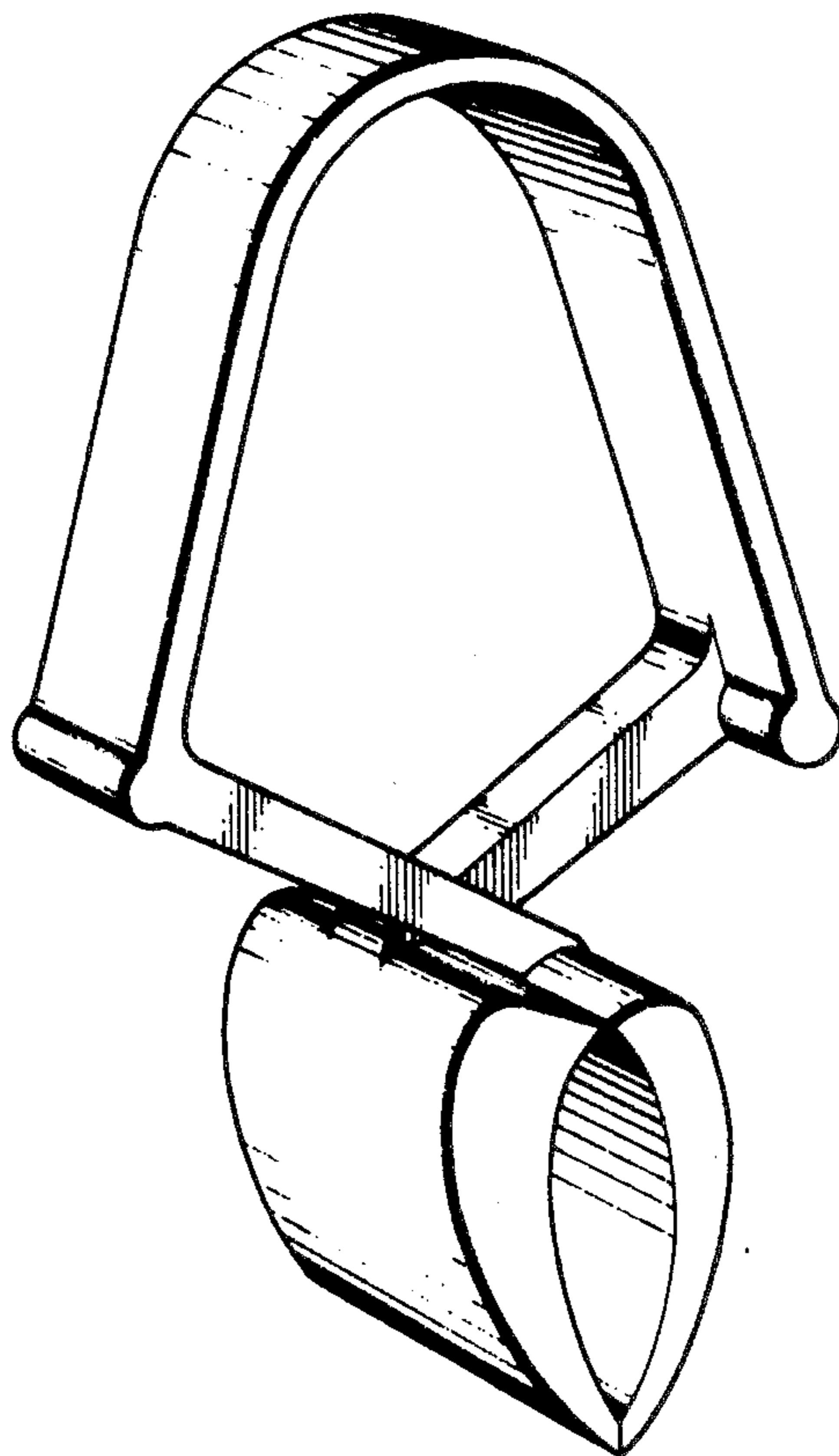
[57]

CLAIM

The ornamental design for a biased cupped clamp, substantially as shown.

DESCRIPTION

FIG. 1 is a front perspective view of the biased cupped clamp showing our new design; FIG. 2 is a top plan view thereof; and FIG. 3 is a bottom plan view thereof.



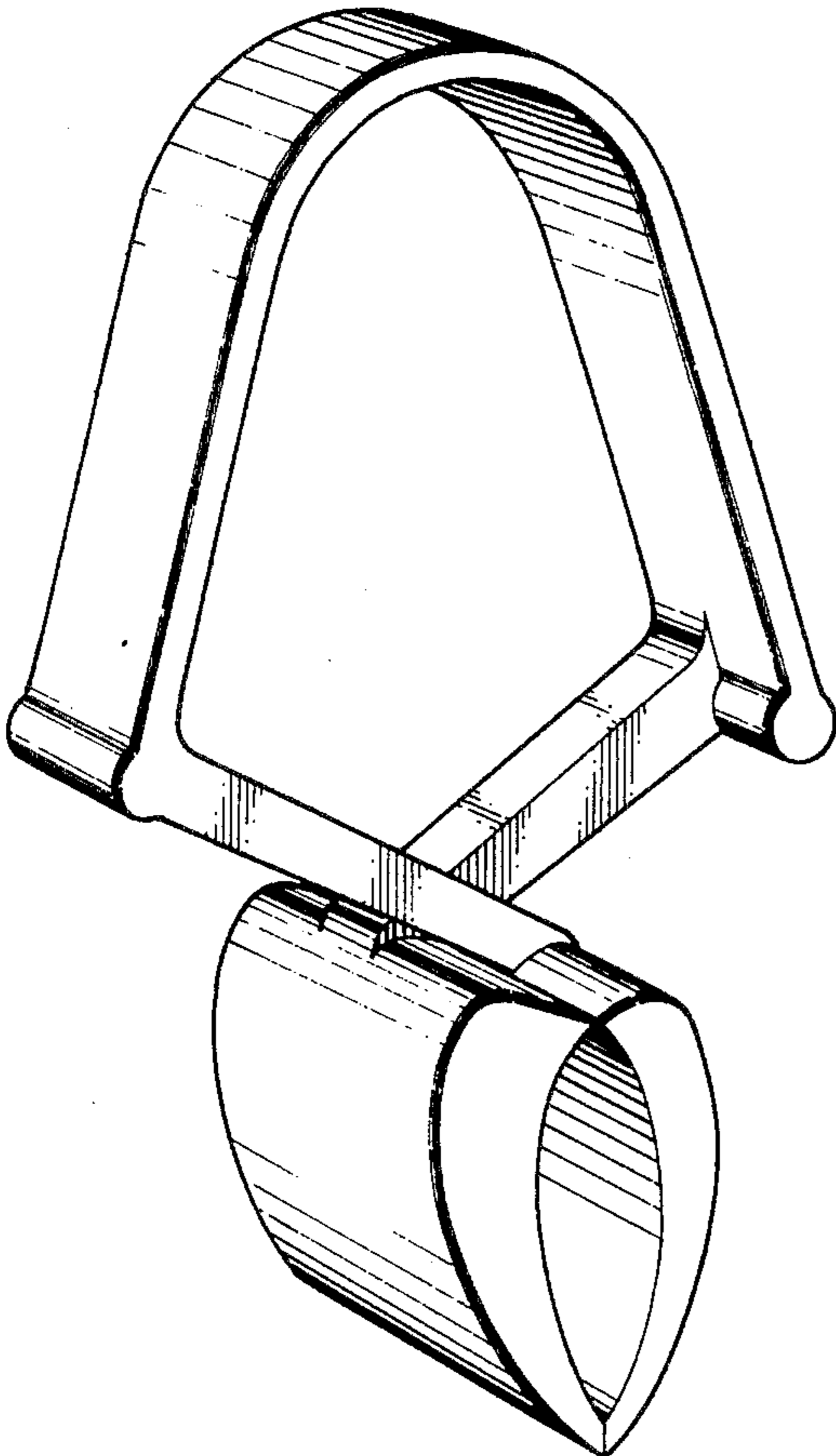


FIG. 1

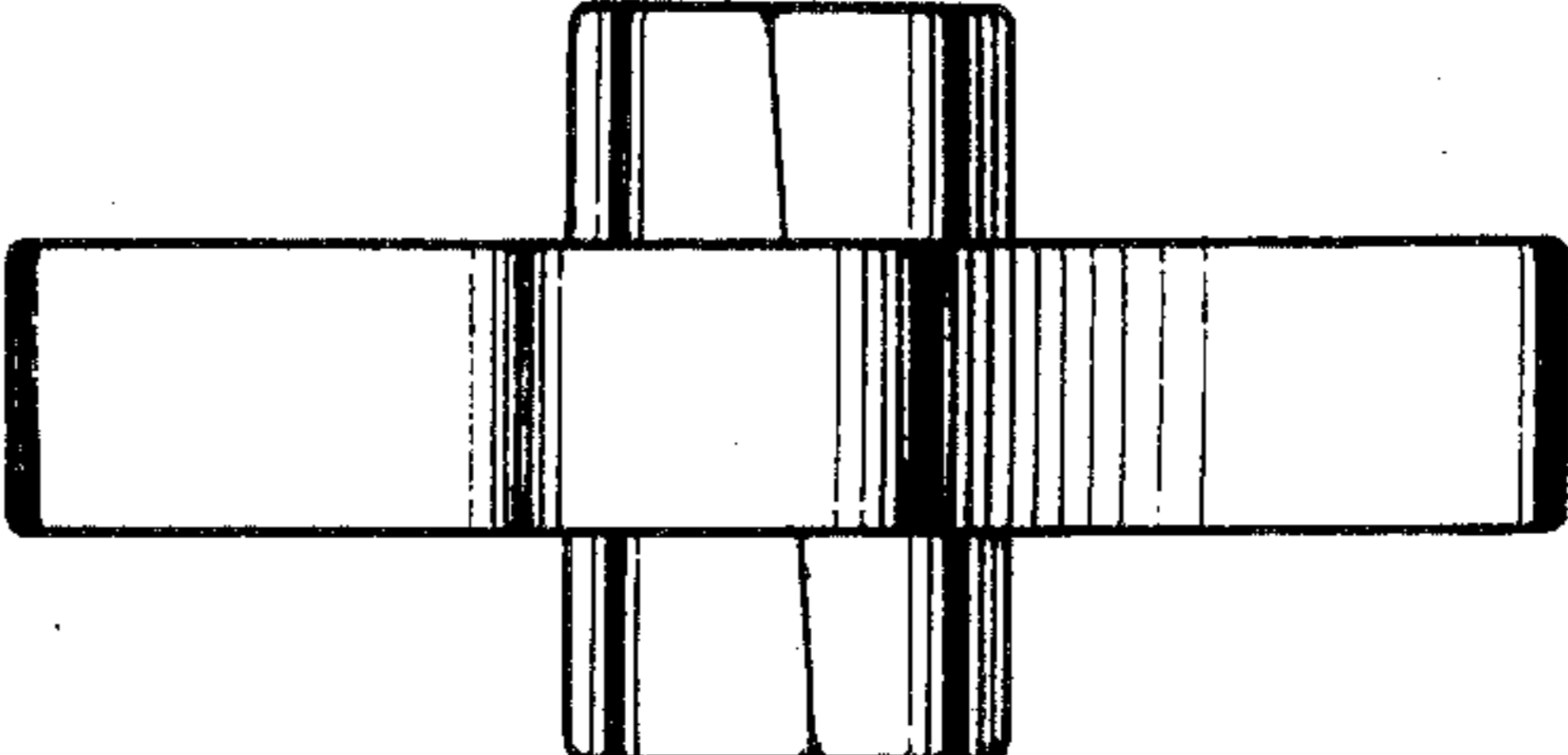


FIG. 2

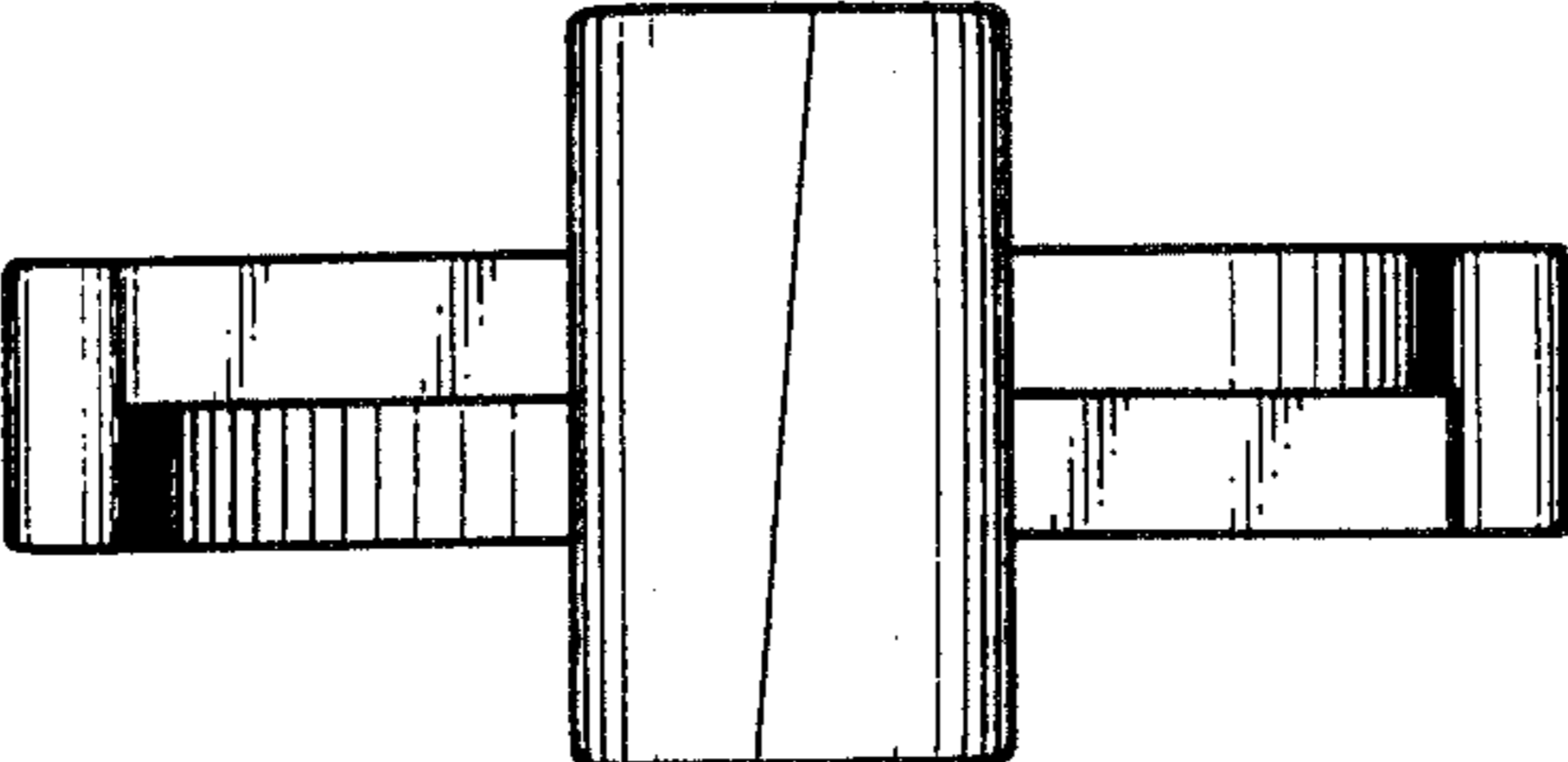


FIG. 3