

[54] **COMBINED CLOSURE DISPENSER AND BATTERY POWERED DRINK MIXER FOR A CONTAINER**

[75] Inventor: **Harold W. Rice**, Hartsburg, Mo.

[73] Assignee: **McGraw-Edison Company**, Elgin, Ill.

[**] Term: **14 Years**

[21] Appl. No.: **701,087**

[22] Filed: **Jun. 30, 1976**

[51] Int. Cl. **D7-04**

[52] U.S. Cl. **D7/131; D7/158**

[58] Field of Search **D7/60, 59, 65, 64, 51, D7/131, 153, 154, 157, 158, 160**

[56] **References Cited**

U.S. PATENT DOCUMENTS

D. 112,773	1/1939	Hacmac	D7/131
D. 203,211	12/1965	Brocken	D7/131
D. 221,791	9/1971	Dak Chi	D7/158

D. 232,687	9/1974	Reyda	D7/52 X
3,739,957	6/1973	Alpern	D7/131 X

Primary Examiner—Winifred E. Hermann
Attorney, Agent, or Firm—Charles F. Lind

[57] **CLAIM**

The ornamental design for a combined closure dispenser and battery powered drink mixer for a container, as shown.

DESCRIPTION

FIG. 1 is a top rear perspective view of a combined closure dispenser and battery powered drink mixer for a container showing my new design; FIG. 2 is a top plan view thereof; FIG. 3 is a side elevational view thereof, a portion being omitted for convenience of illustration; and FIG. 4 is a bottom plan view thereof.

The design has generally cylindrically exterior walls so that the hidden sides opposite those shown in FIGS. 1 and 3 are generally similar to that shown.

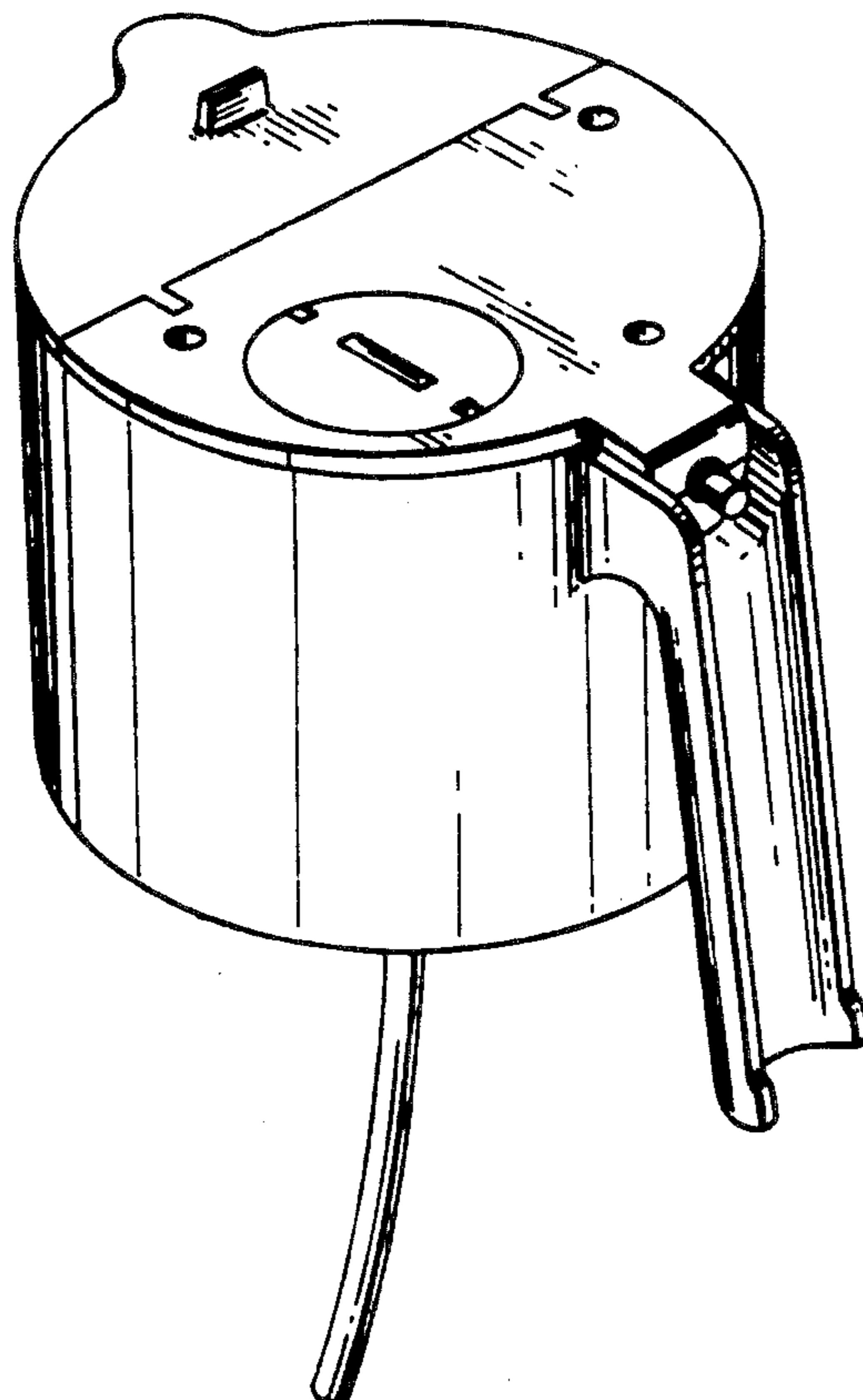


FIG. 1

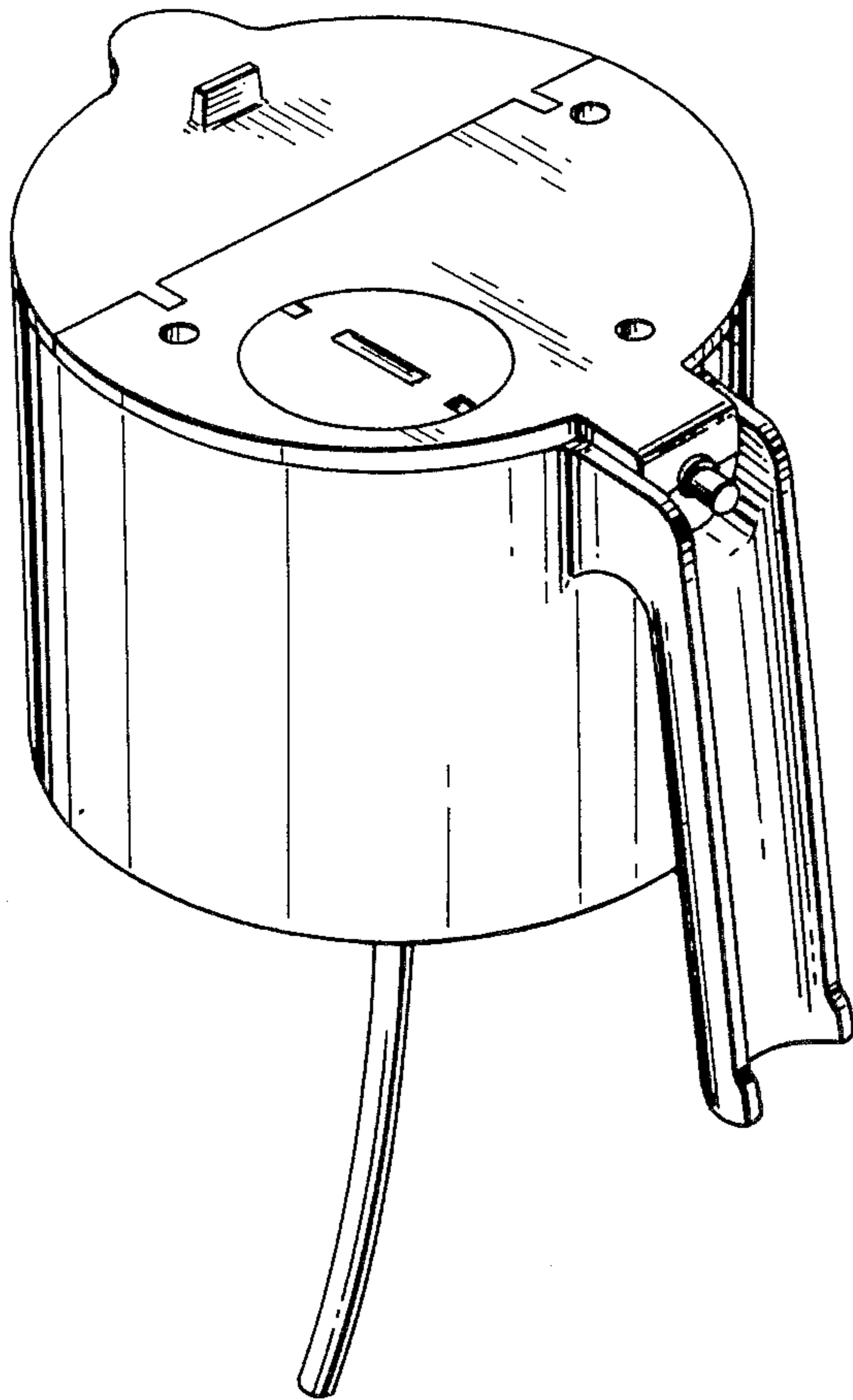


FIG. 2

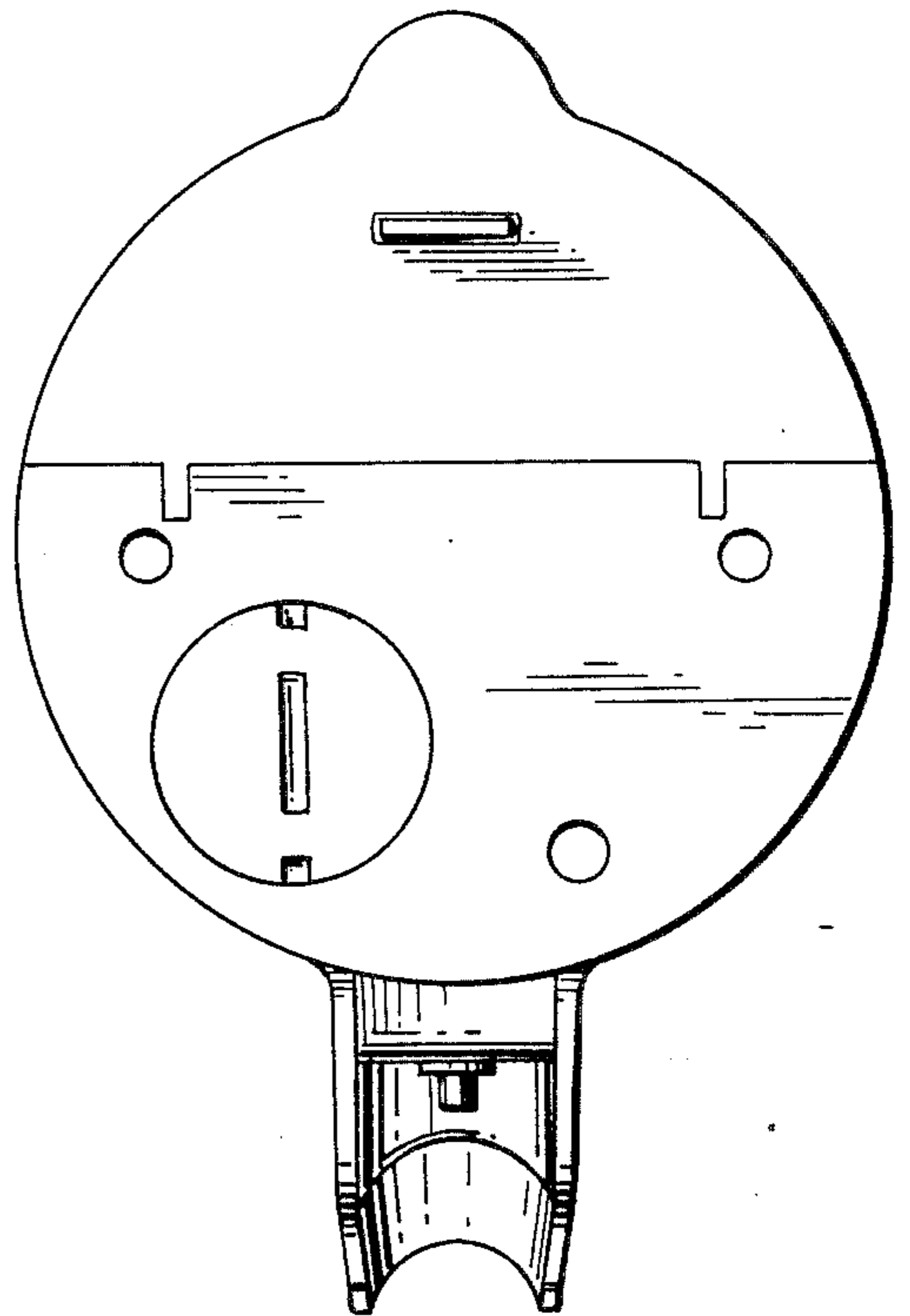


FIG. 3

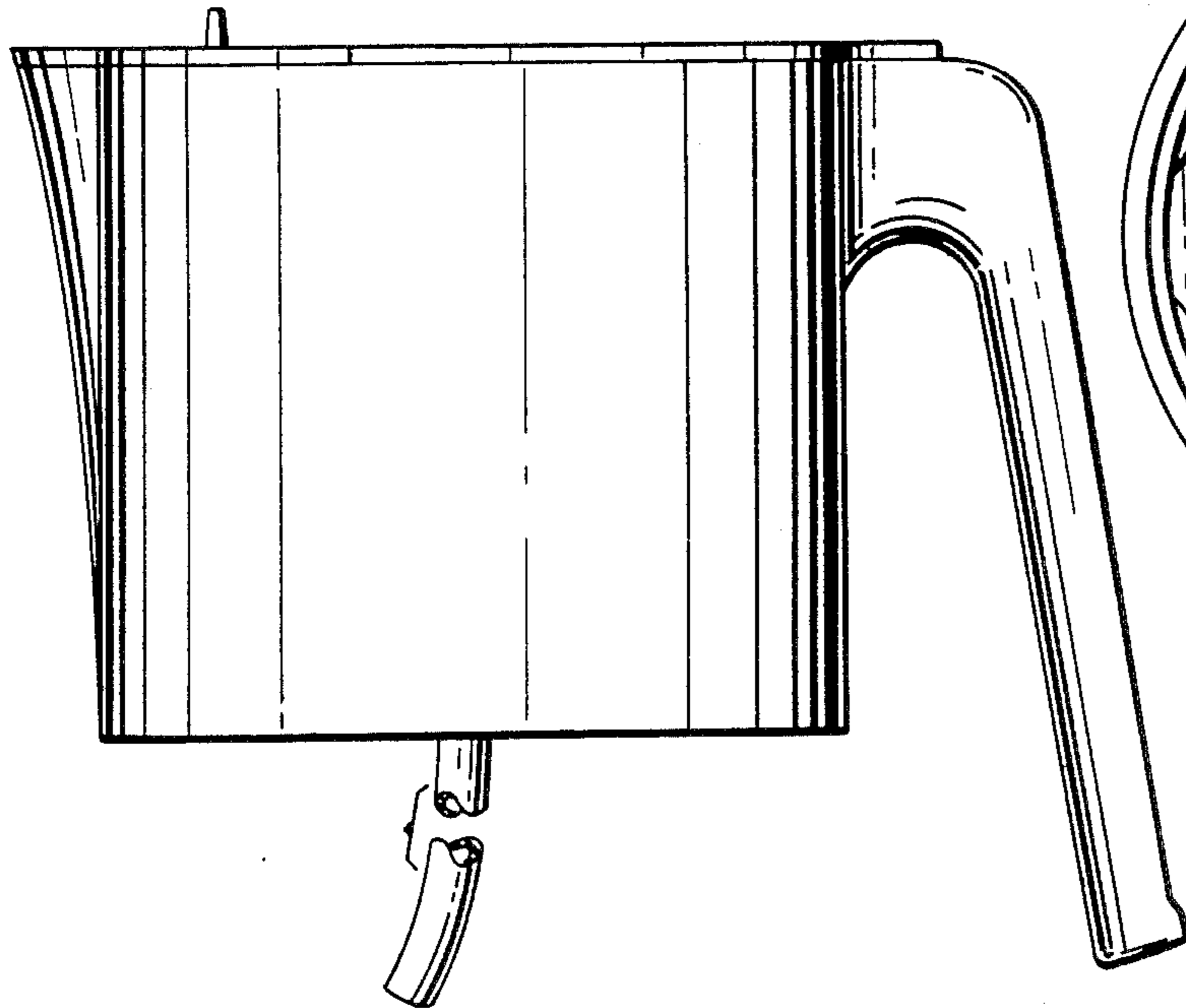


FIG. 4

