

[54] HERB SEPARATOR

[76] Inventors: Stewart Hall, 138-10 Jewel Ave., Flushing, N.Y. 11367; Harley R. Goldman, 417 Roslyn Rd., Roslyn Heights, N.Y. 11577

[**] Term: 14 Years

[21] Appl. No.: 747,435

[22] Filed: Dec. 6, 1976

[51] Int. Cl. D7-06

[52] U.S. Cl. D7/53

[58] Field of Search D7/52, 53, 54, 55, 57, D7/58, 155; D15/98, 100

[56] References Cited

U.S. PATENT DOCUMENTS

D. 160,876	11/1950	Mesi	D7/57
D. 196,093	8/1963	Ostrowsky	D7/155
D. 237,576	11/1975	Cyren	D7/57
D. 244,505	5/1977	Bounds	D7/53
2,464,278	3/1949	Wilson	D9/216 X

OTHER PUBLICATIONS

House Beautiful, Nov. 1960, p. 103, Pepper Mill in r. center panel, Accent adv.

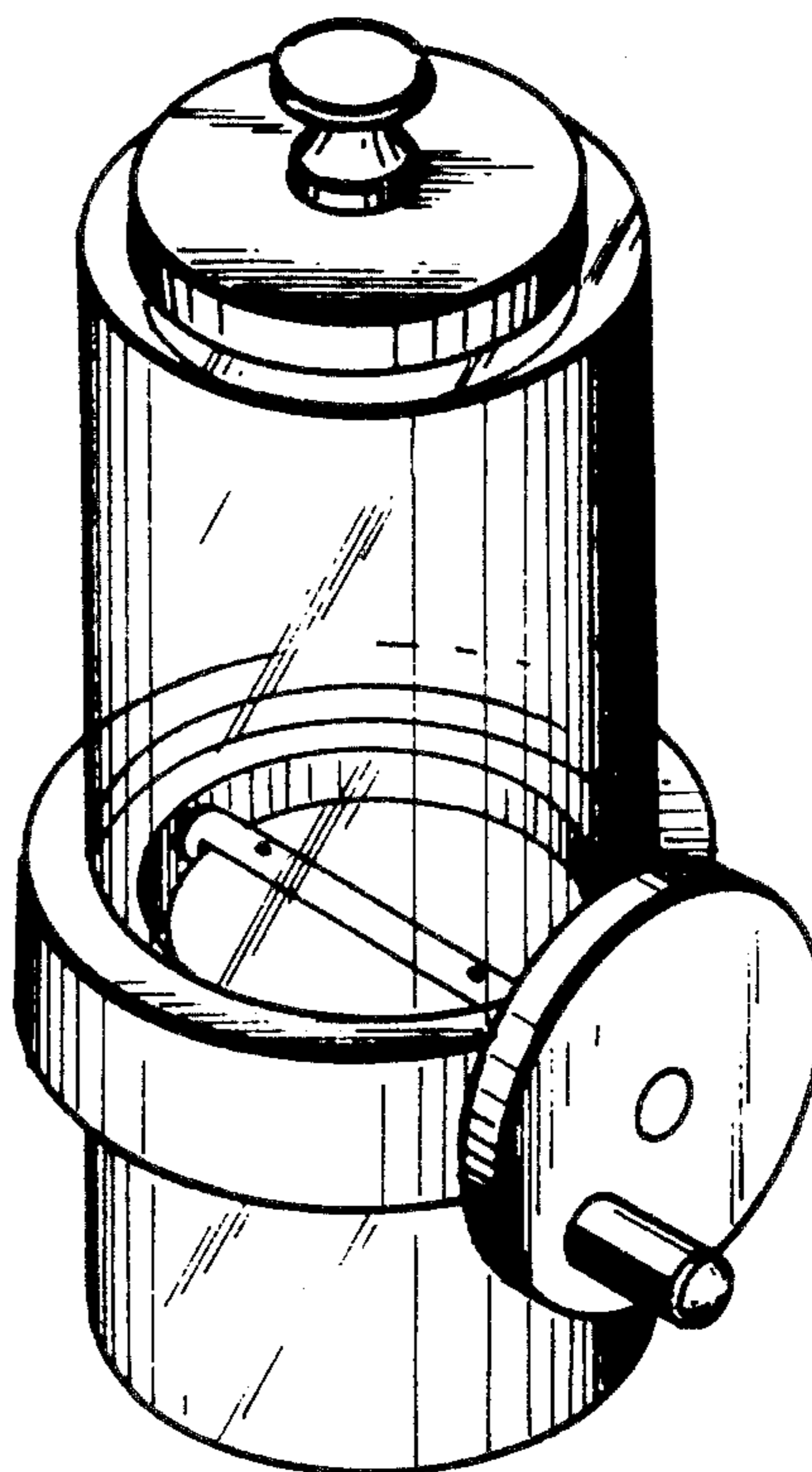
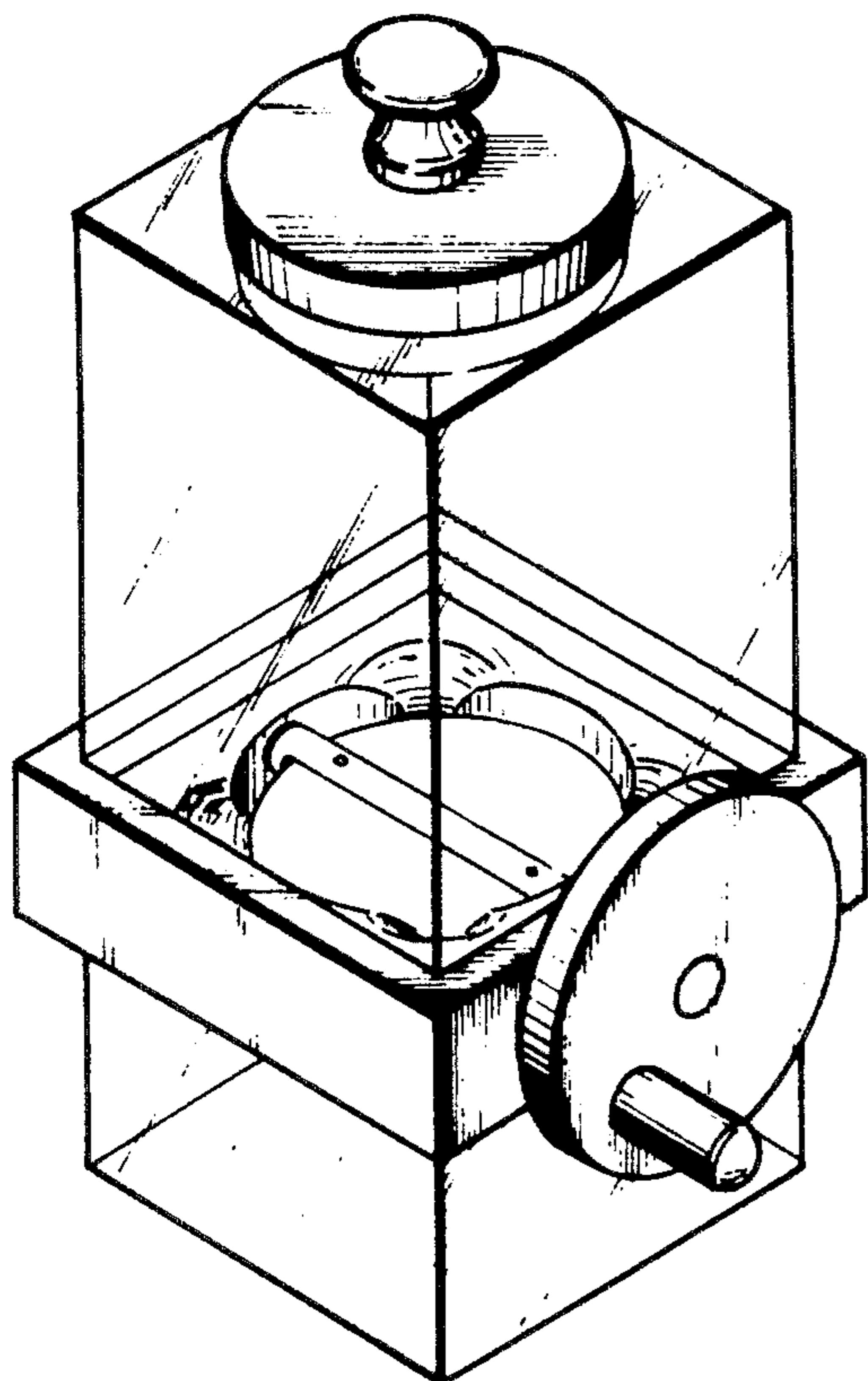
Primary Examiner—Winifred E. Herrmann
Attorney, Agent, or Firm—Abraham Friedman

[57] CLAIM

The ornamental design for a herb separator, substantially as shown and described.

DESCRIPTION

FIG. 1 is a perspective view of a herb separator showing our new design;
 FIG. 2 is a top plan view thereof;
 FIG. 3 is a right side elevational view thereof;
 FIG. 4 is a rear elevational view thereof;
 FIG. 5 is a left side elevational view thereof;
 FIG. 6 is a bottom plan view thereof;
 FIG. 7 is a perspective view of a herb separator showing a second embodiment of our new design;
 FIG. 8 is a top plan view of FIG. 7;
 FIG. 9 is a right side elevational view of FIG. 7;
 FIG. 10 is a rear elevational view of FIG. 7;
 FIG. 11 is a left side elevational view of FIG. 7; and
 FIG. 12 is a bottom plan view of FIG. 7.



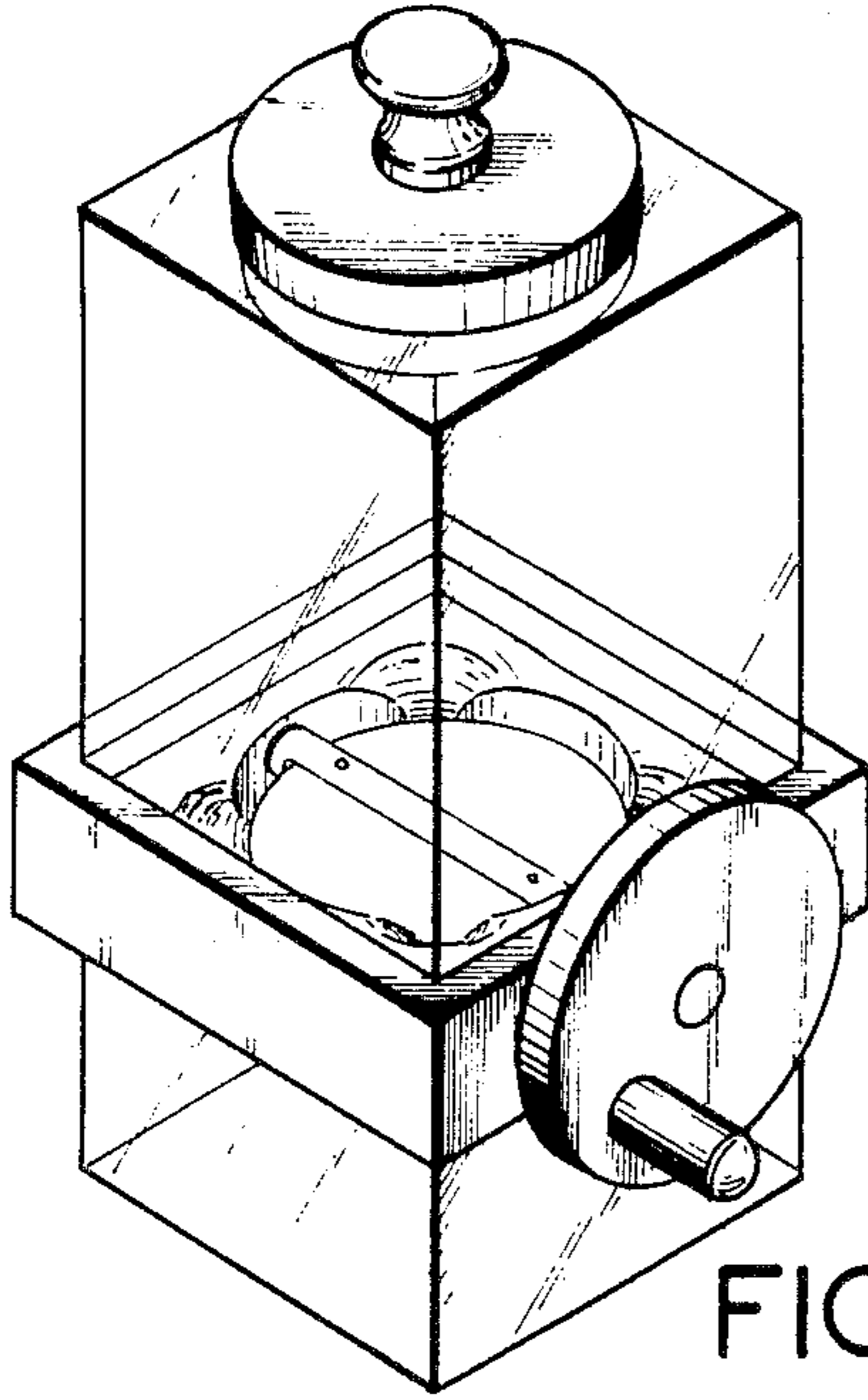


FIG. 1

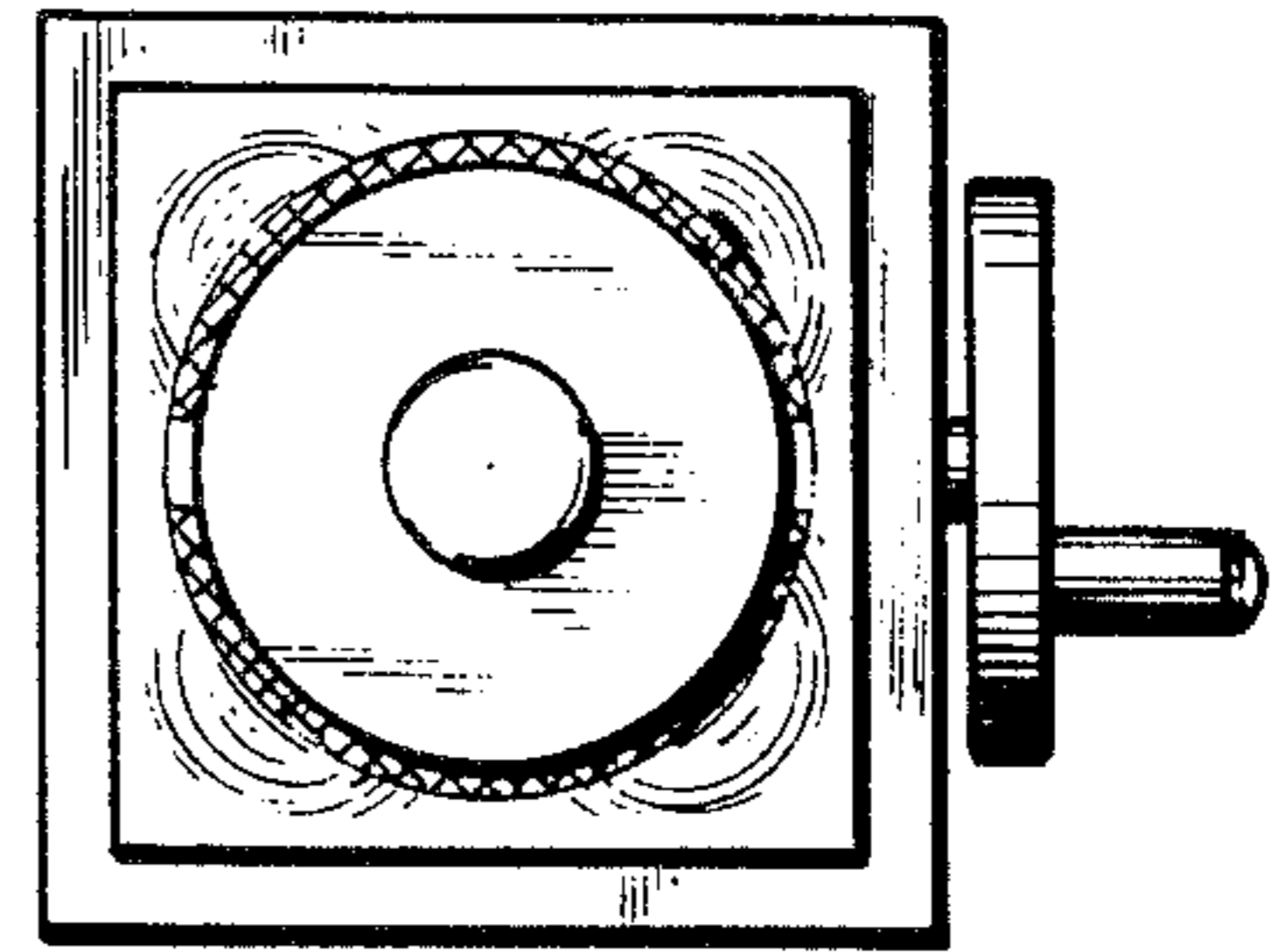


FIG. 2

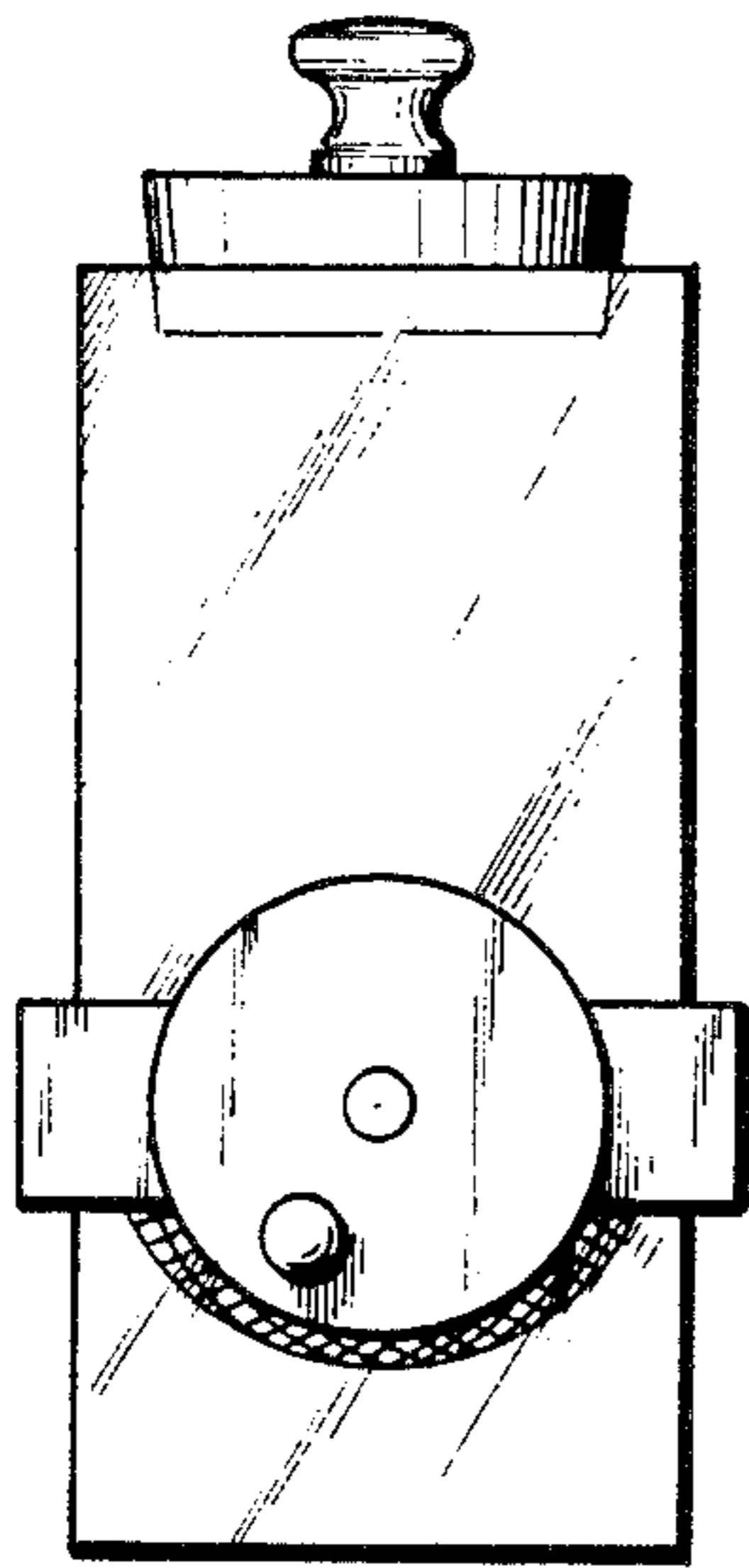


FIG. 3

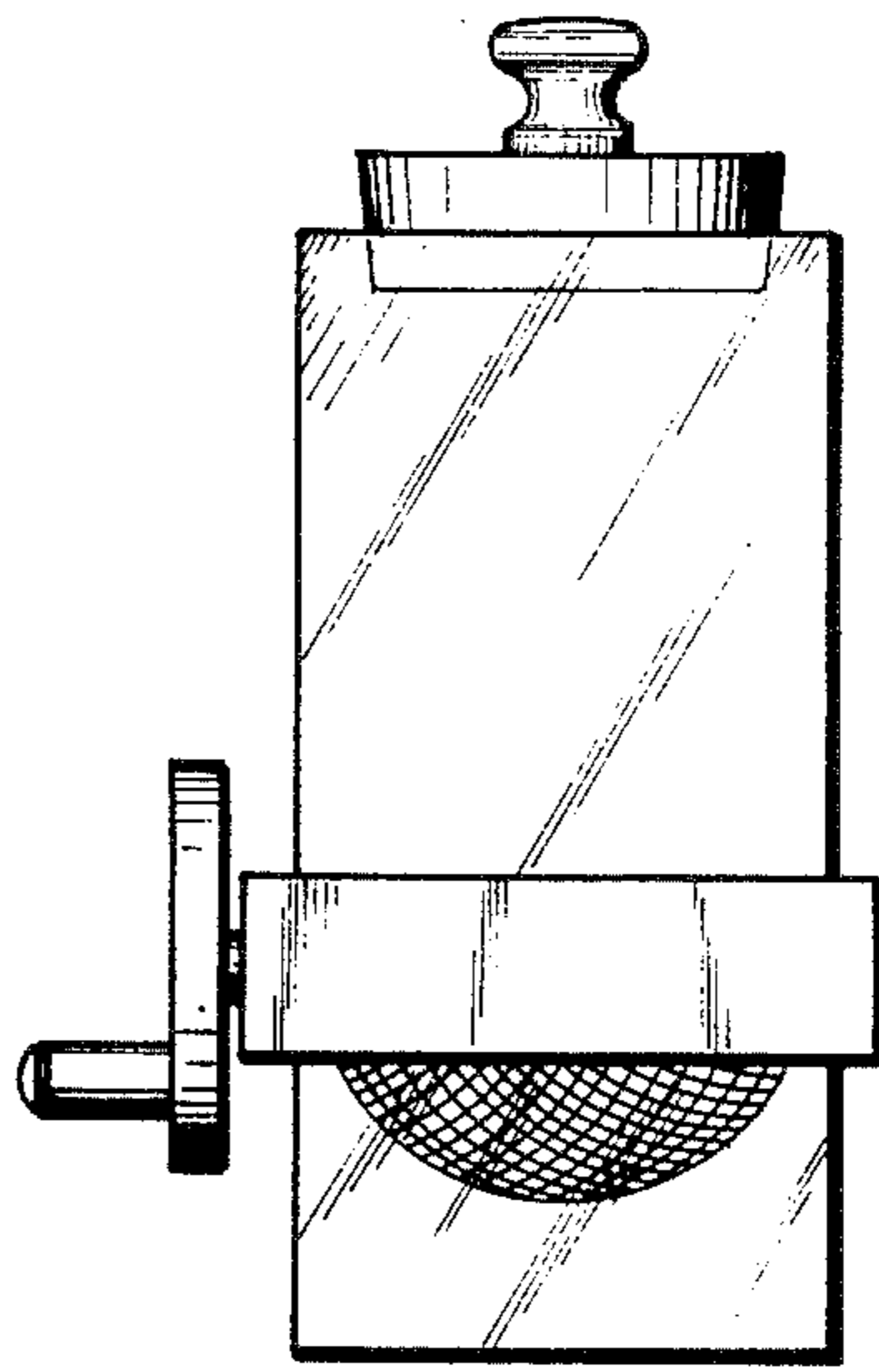


FIG. 4

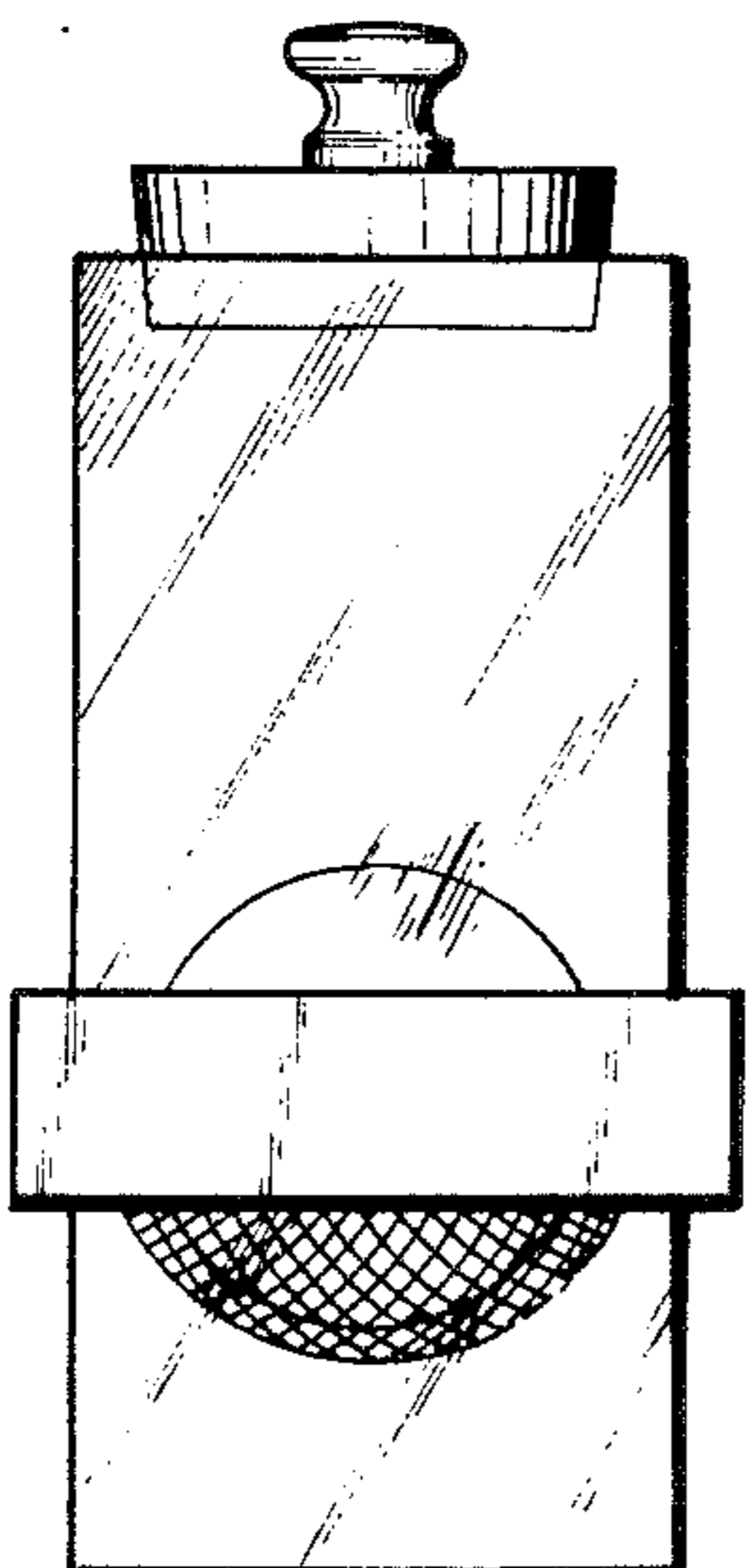


FIG. 5

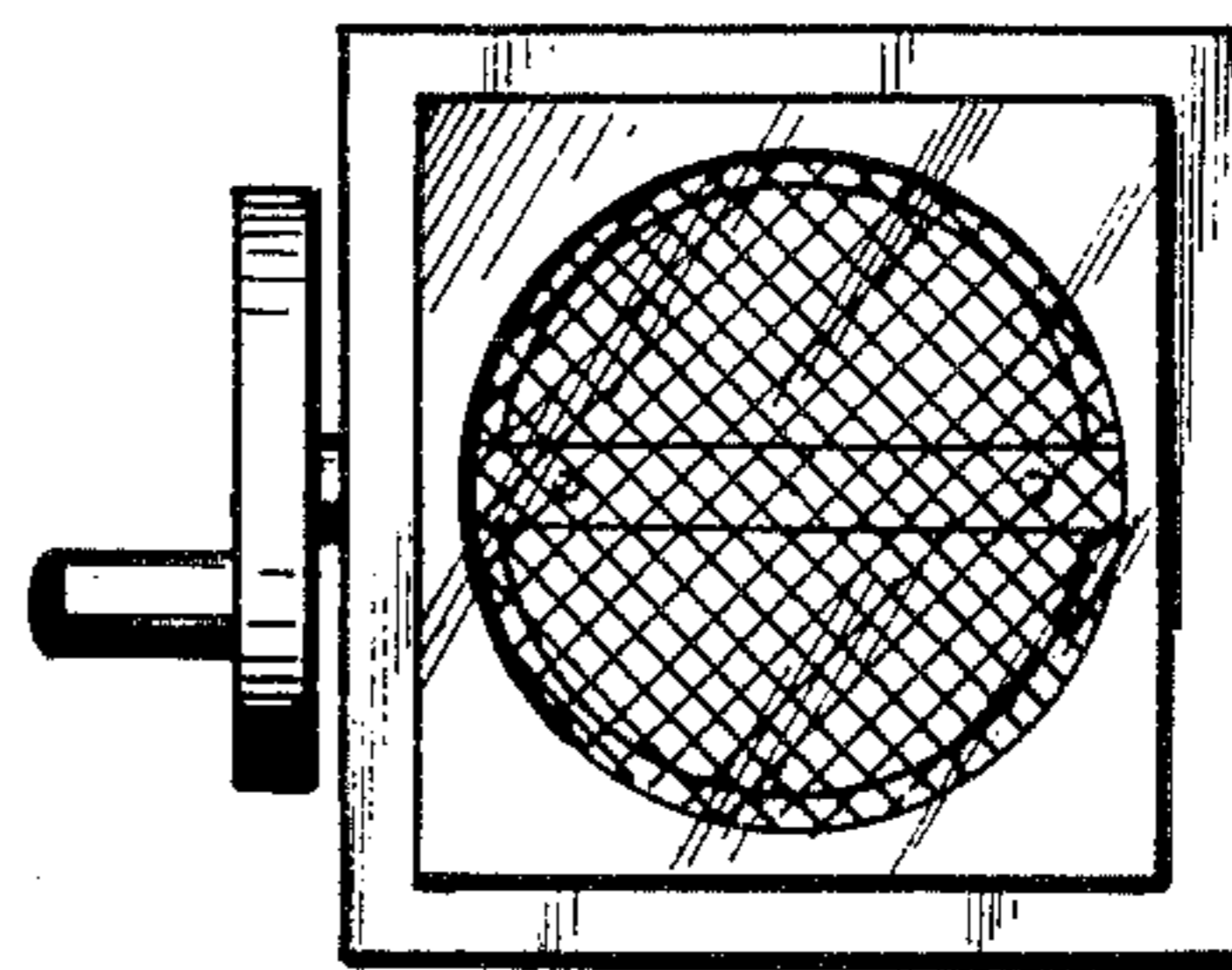


FIG. 6

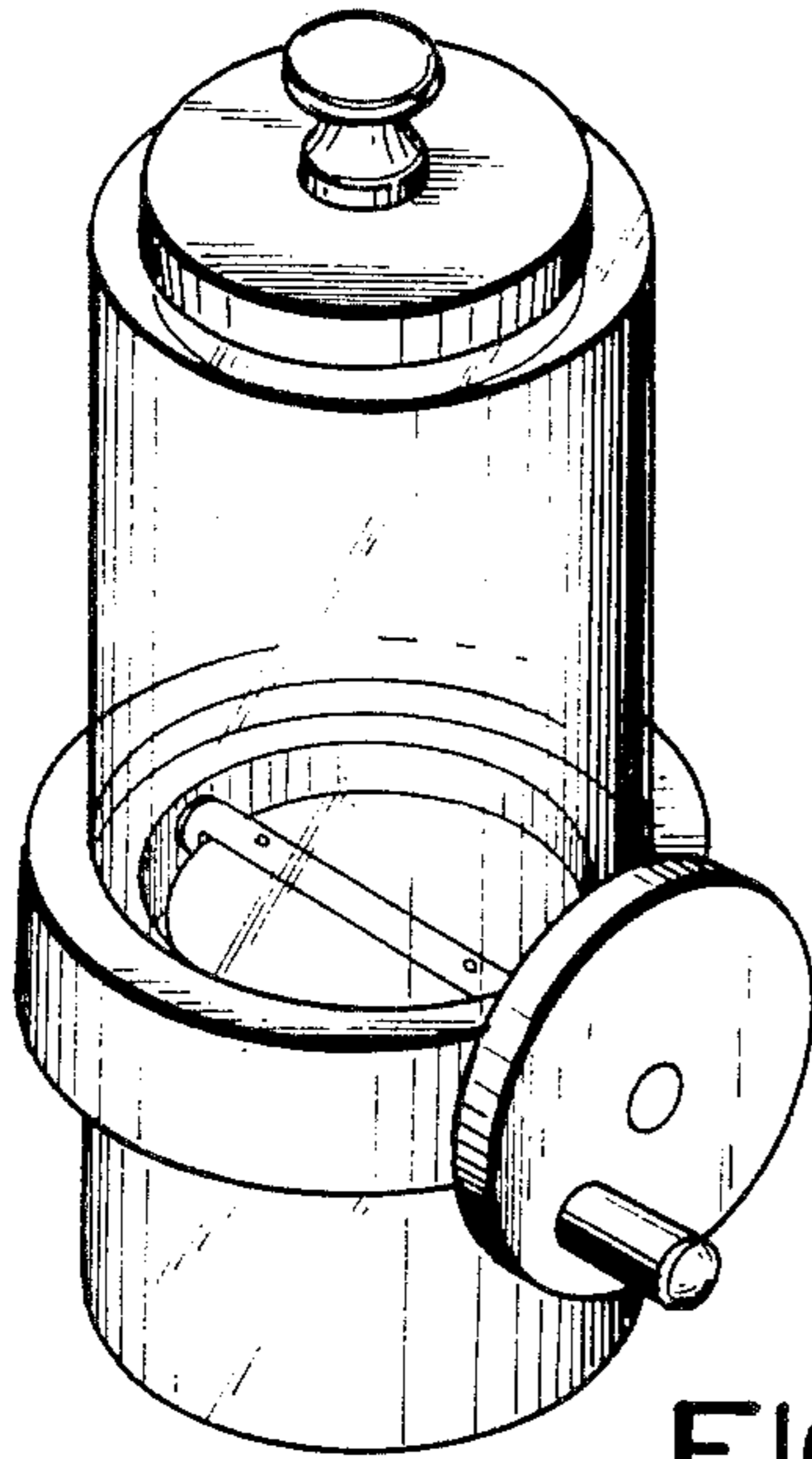


FIG. 7

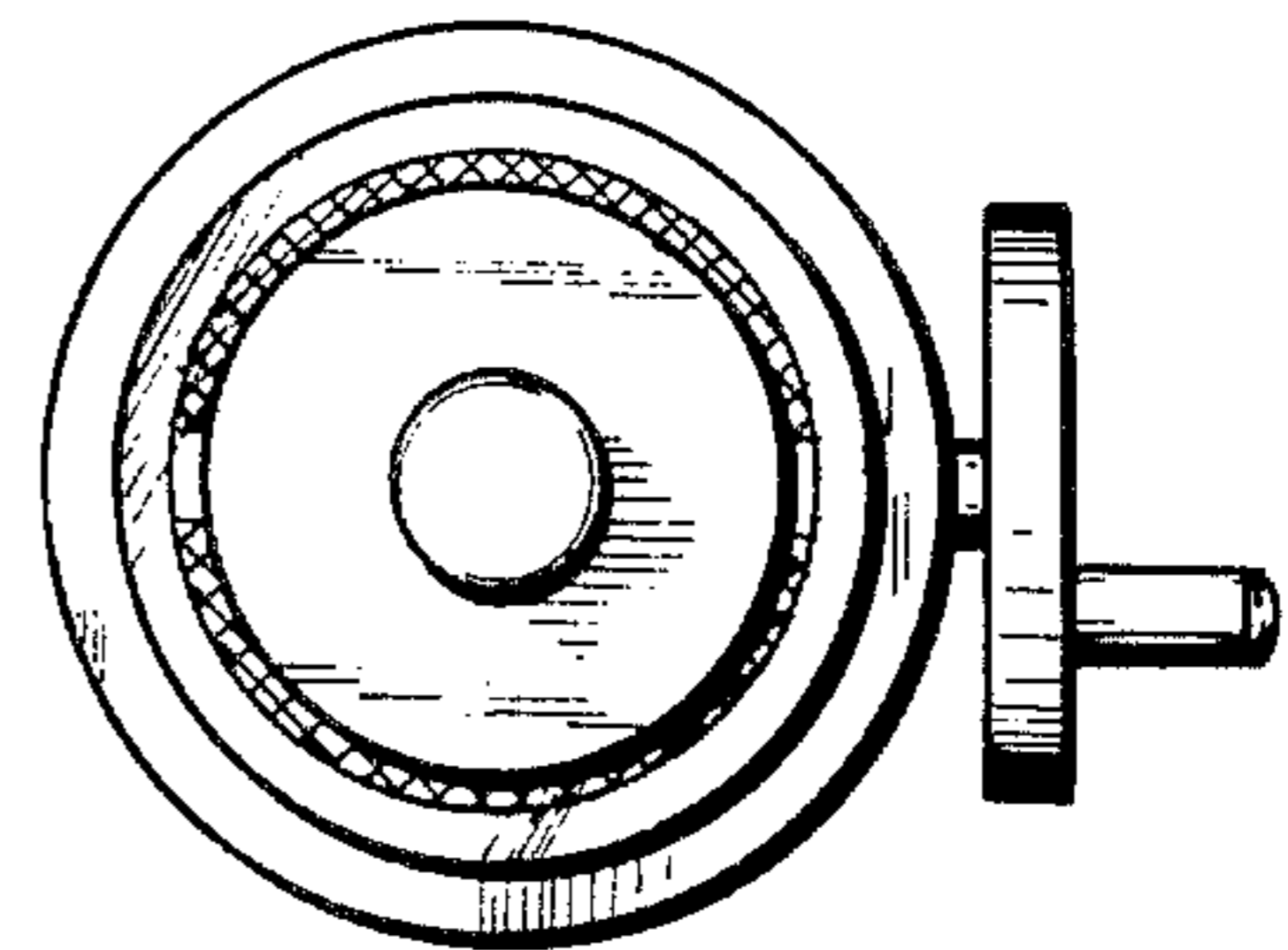


FIG. 8

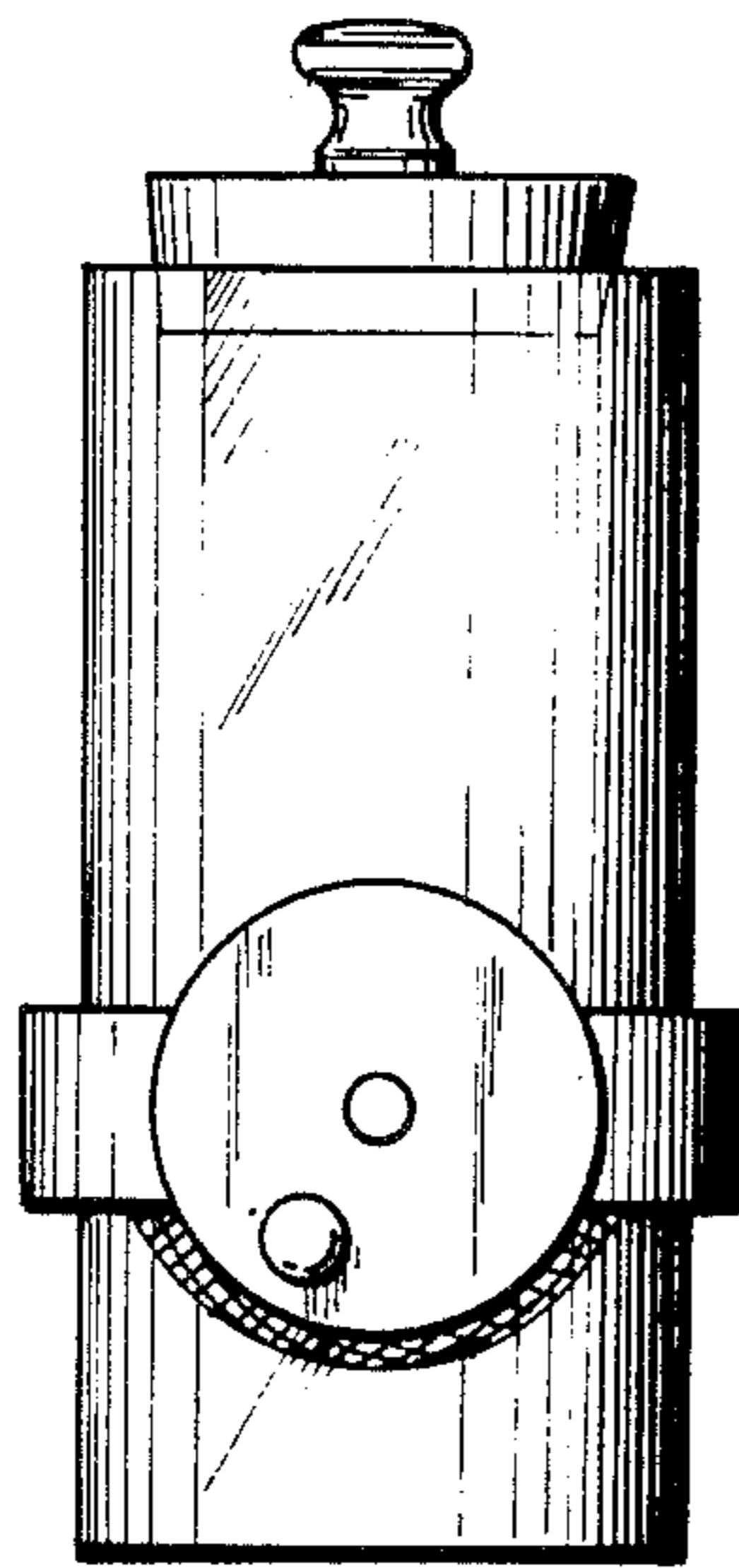


FIG. 9

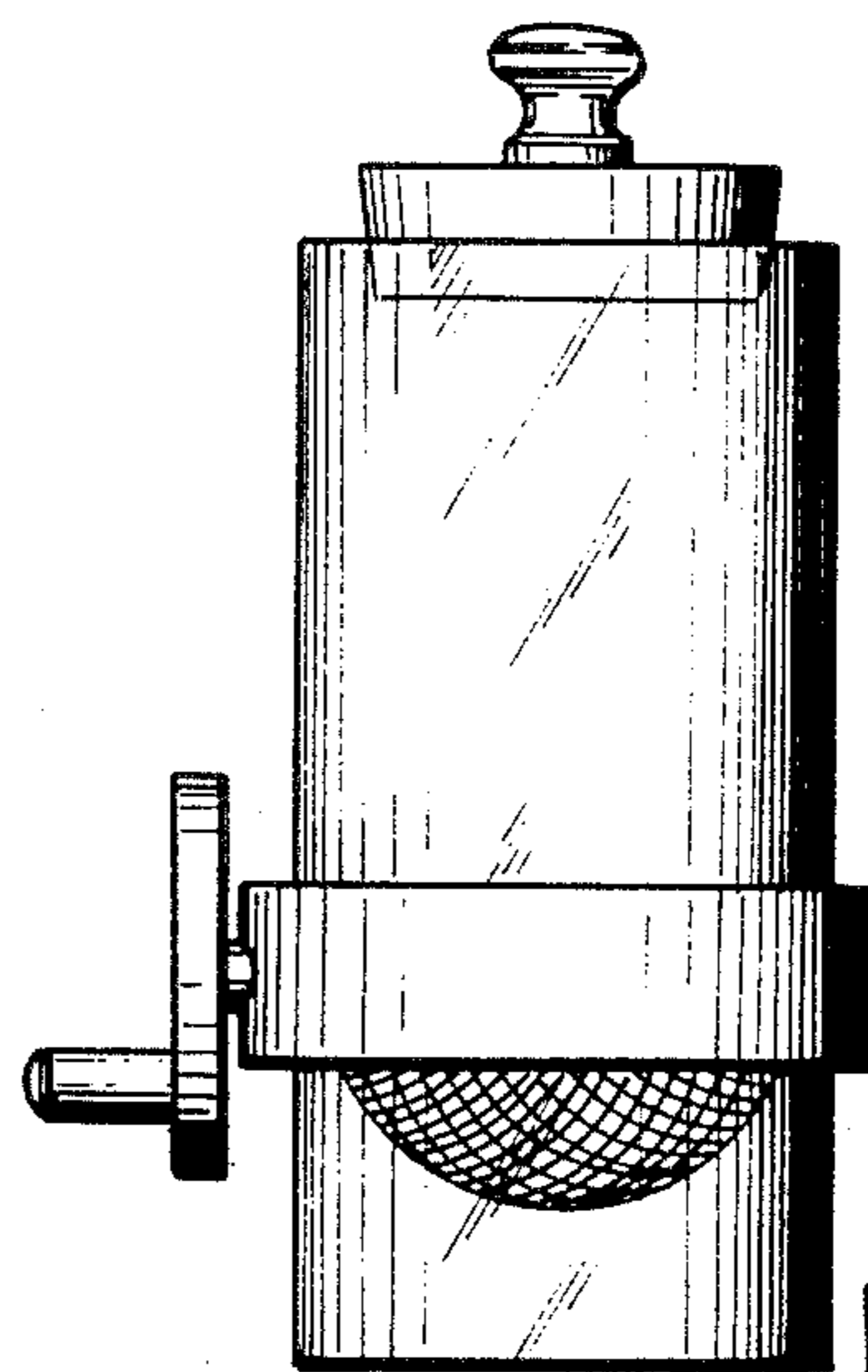


FIG. 10

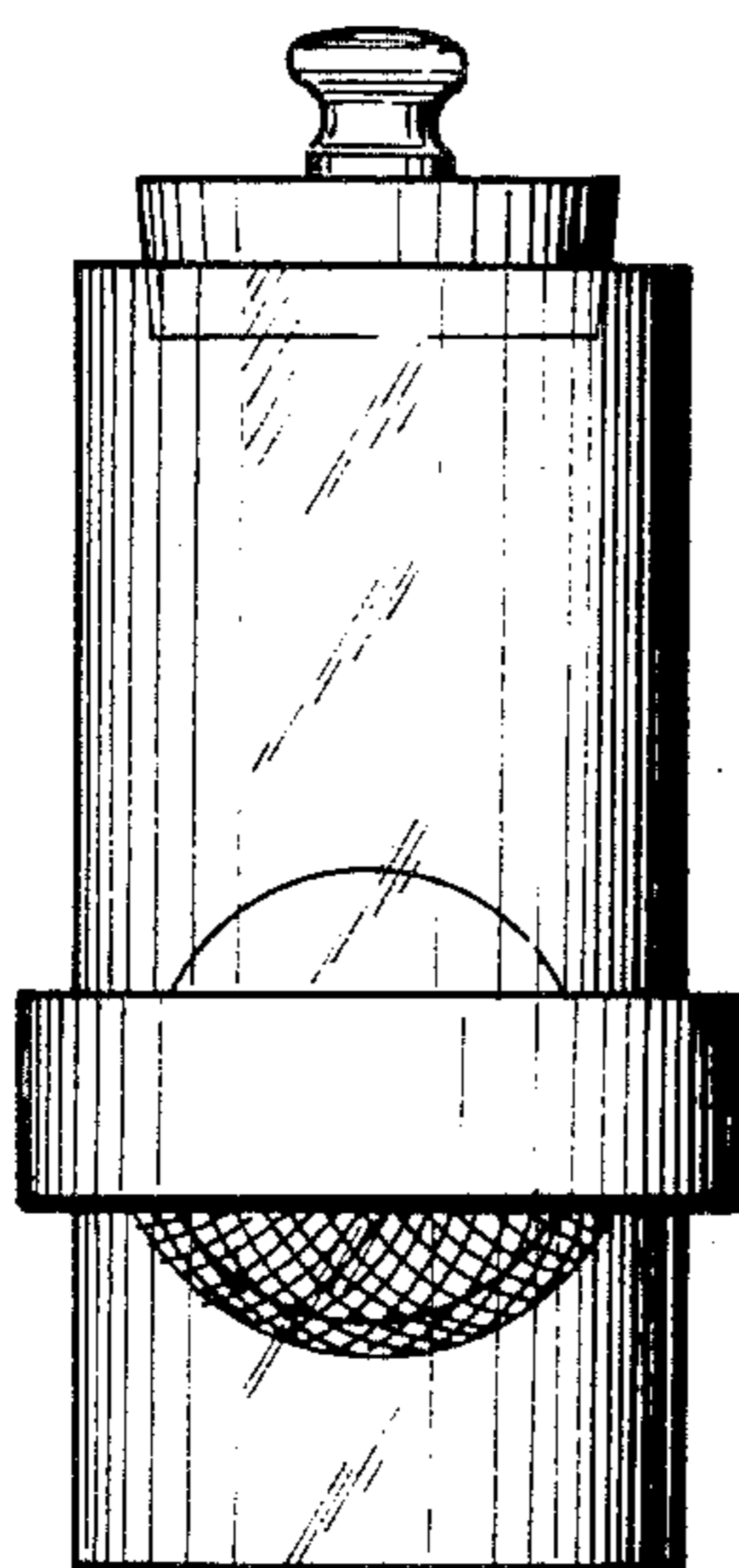


FIG. 11

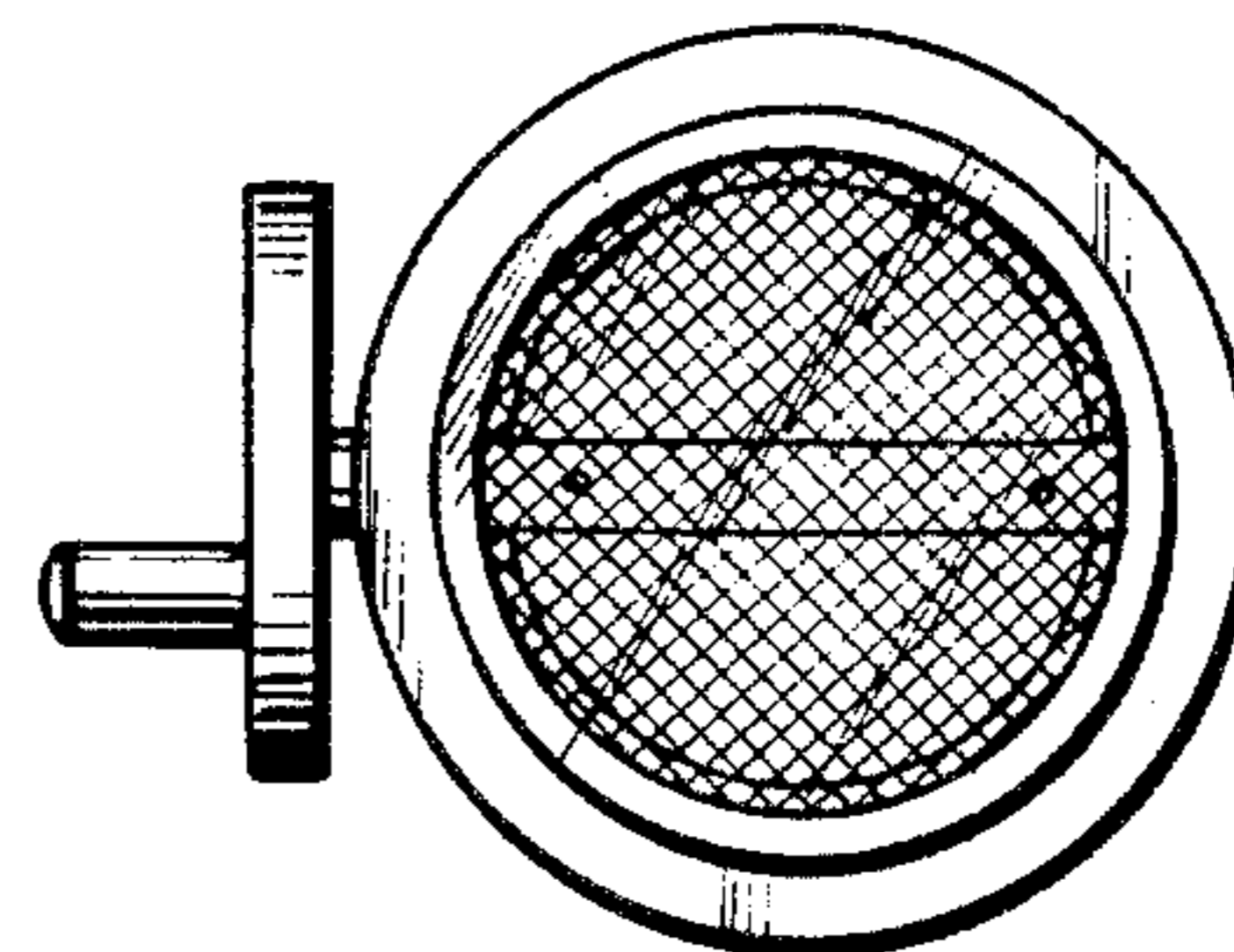


FIG. 12