

[54] TUMBLER OR SIMILAR ARTICLE

[75] Inventor: James Lloyd Thrush, Lancaster, Ohio

[73] Assignee: Anchor Hocking Corporation, Lancaster, Ohio

[*] Notice: The portion of the term of this patent subsequent to May 16, 1992, has been disclaimed.

[**] Term: 14 Years

[21] Appl. No.: 759,064

[22] Filed: Jan. 13, 1977

Related U.S. Application Data

[63] Continuation-in-part of Ser. No. 744,458, Nov. 24, 1976, Pat. No. Des. 247,867.

[51] Int. Cl. D7-01

[52] U.S. Cl. D7/14

[58] Field of Search D7/6-15, D7/3; D9/220

[56] References Cited

U.S. PATENT DOCUMENTS

D. 21,181	11/1891	Proeger	D7/14
D. 64,802	6/1924	Haden	D7/13
D. 76,669	10/1928	Dawson	D7/6
D. 184,976	4/1959	Bloch	D7/14
D. 202,225	9/1965	Huston	D9/220
D. 210,234	2/1968	Alvarez	D7/14
D. 211,037	5/1968	Benes	D7/6
D. 238,541	1/1976	Benes	D7/14

D. 244,740 6/1977 Durand D7/14

Primary Examiner—Winifred E. Herrman
Attorney, Agent, or Firm—Joseph J. Previto

[57] CLAIM

The ornamental design for a tumbler or similar article, substantially as shown and described.

DESCRIPTION

FIG. 1 is an elevational view of a tumbler or similar article showing the design of the present invention;

FIG. 2 is a top view thereof;

FIG. 3 is a sectional view thereof taken along line 3—3 of FIG. 1;

FIG. 4 is a sectional view taken along line 4—4 of FIG. 1;

FIG. 5 is an sectional view taken along line 5—5 of FIG. 1;

FIG. 6 is an elevational view of a modified tumbler or similar article;

FIG. 7 is a sectional view thereof taken along line 7—7 of FIG. 6;

FIG. 8 is a sectional view taken along line 8—8 of FIG. 6;

FIG. 9 is an sectional view taken along line 9—9 of FIG. 6;

FIG. 10 is an elevational view of another modified tumbler or similar article;

FIG. 11 is a sectional view thereof taken along line 11—11 of FIG. 10;

FIG. 12 is a sectional view taken along line 12—12 of FIG. 10; and

FIG. 13 is an sectional view taken along line 13—13 of FIG. 10.

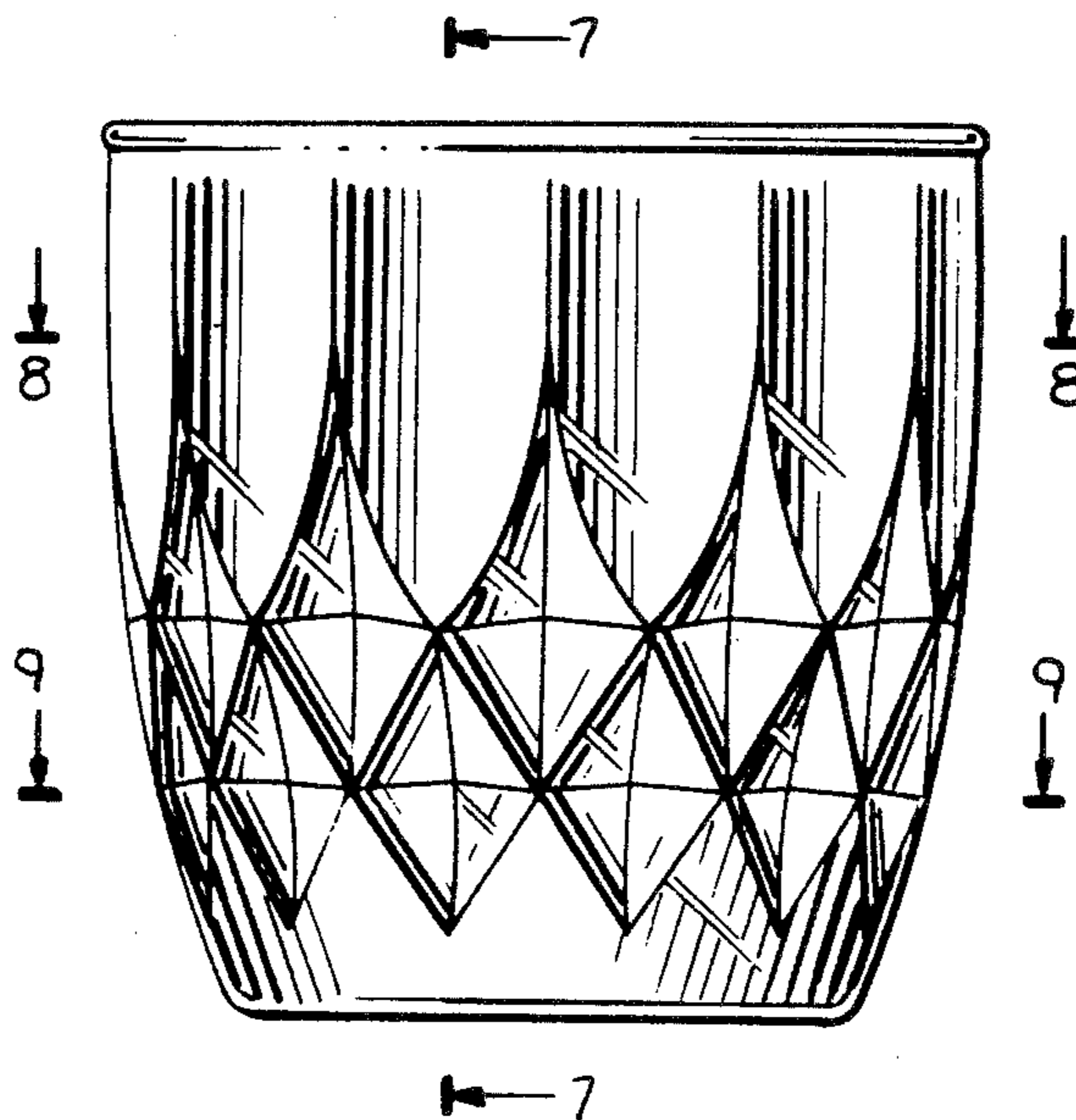


Fig. 1.

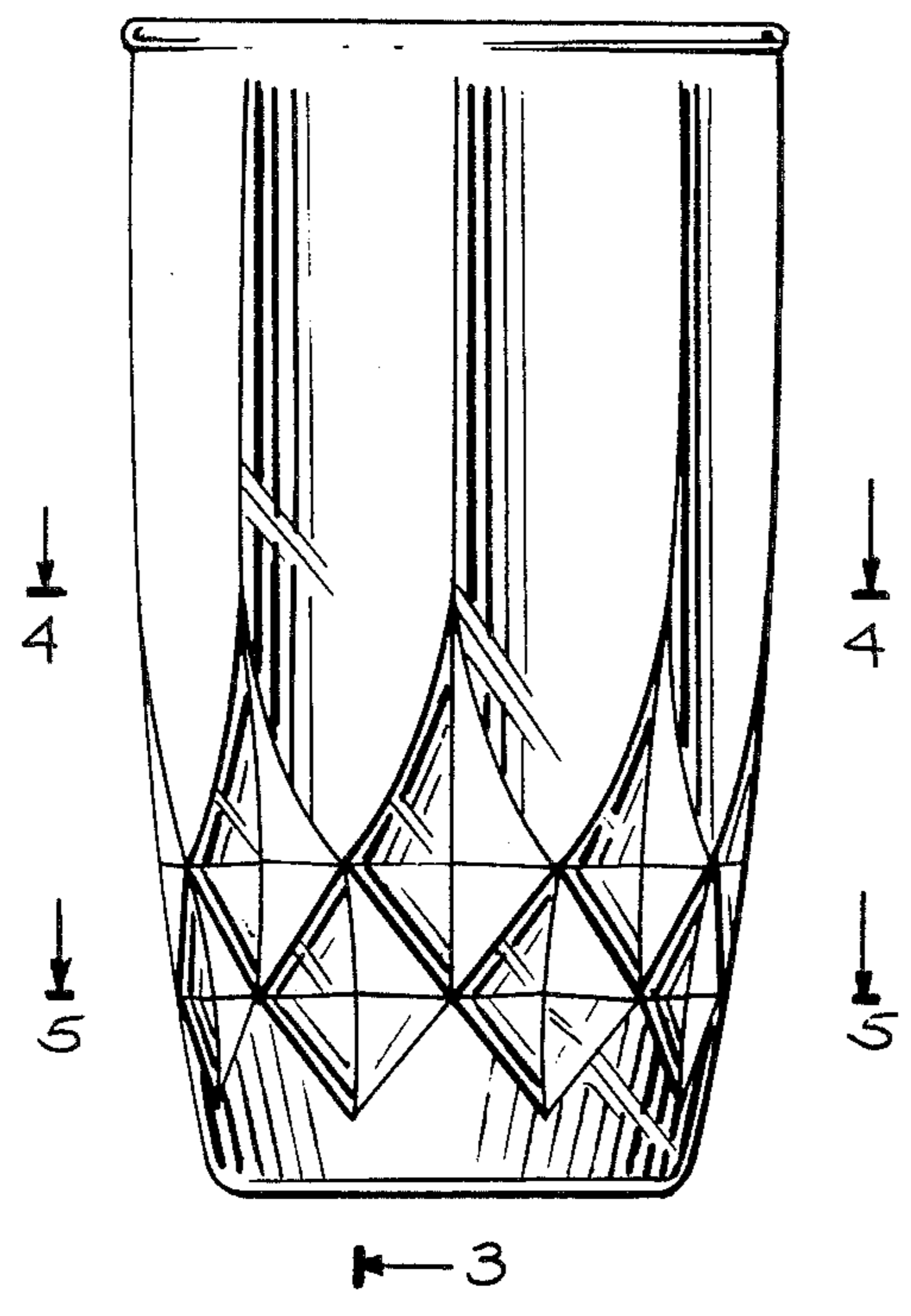


Fig. 3.

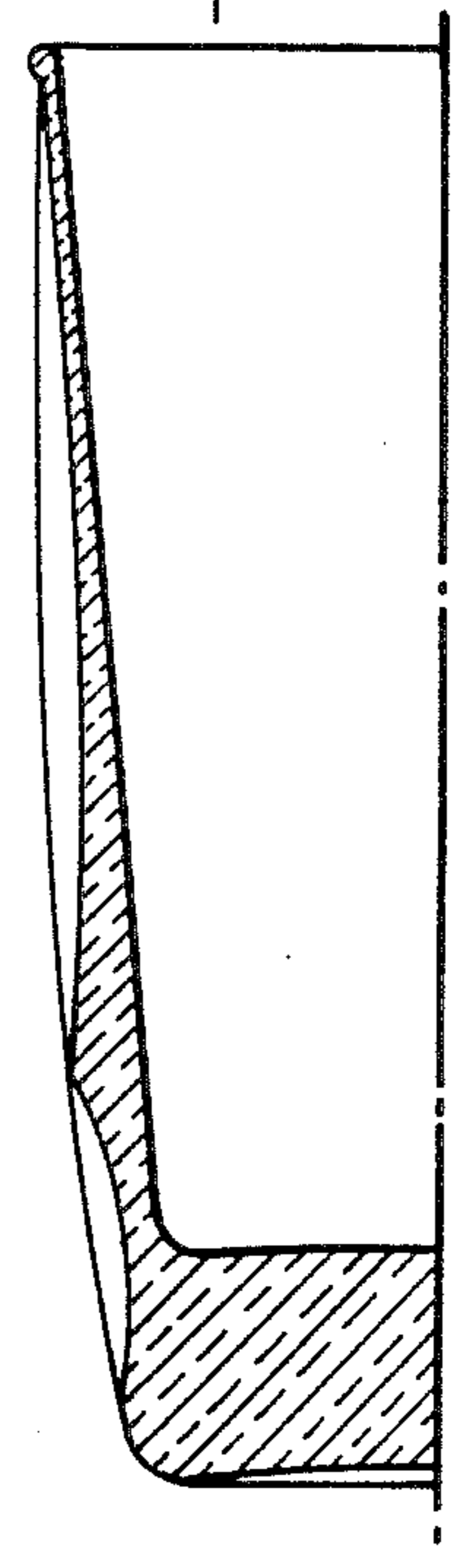


Fig. 2.

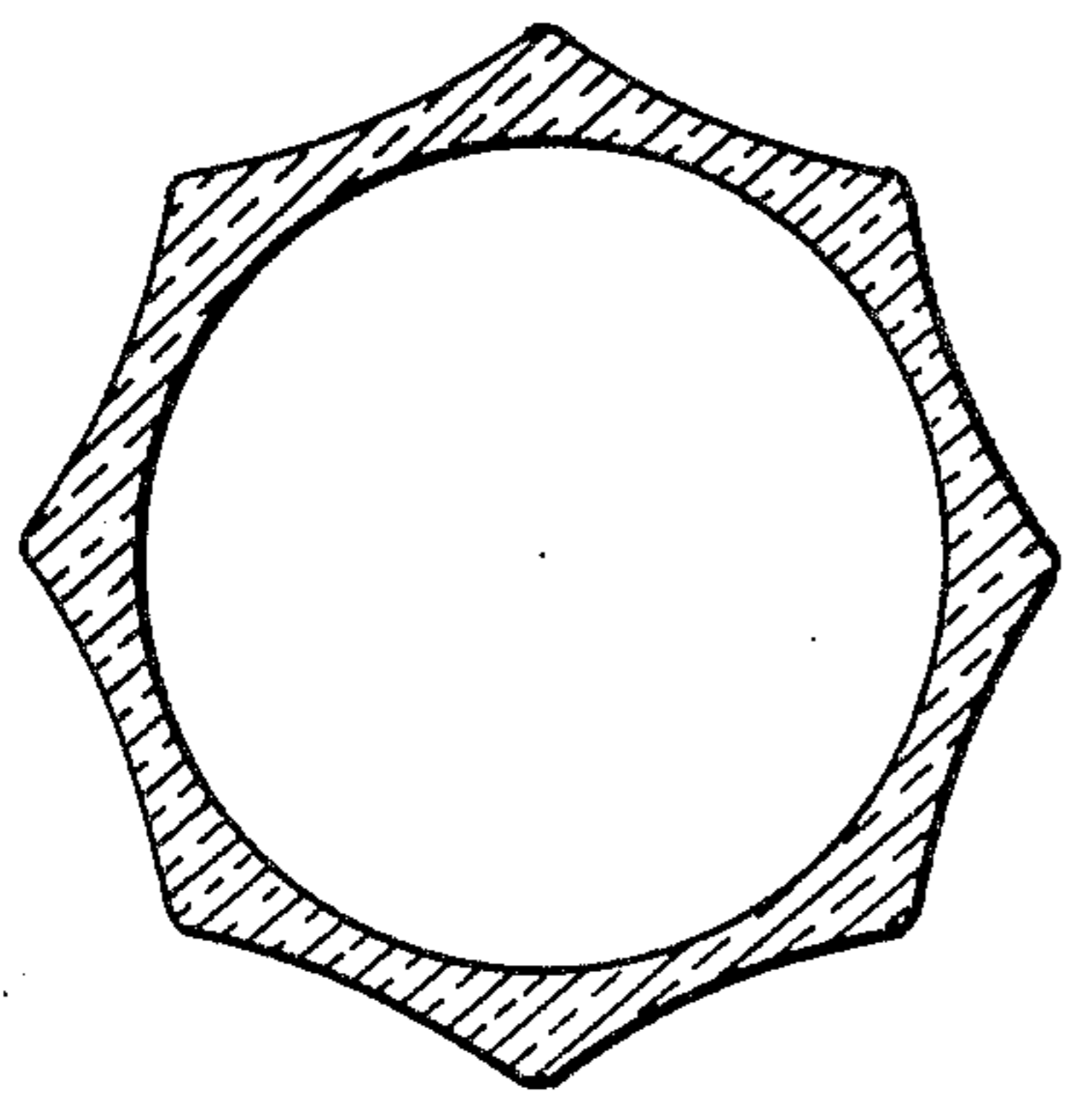
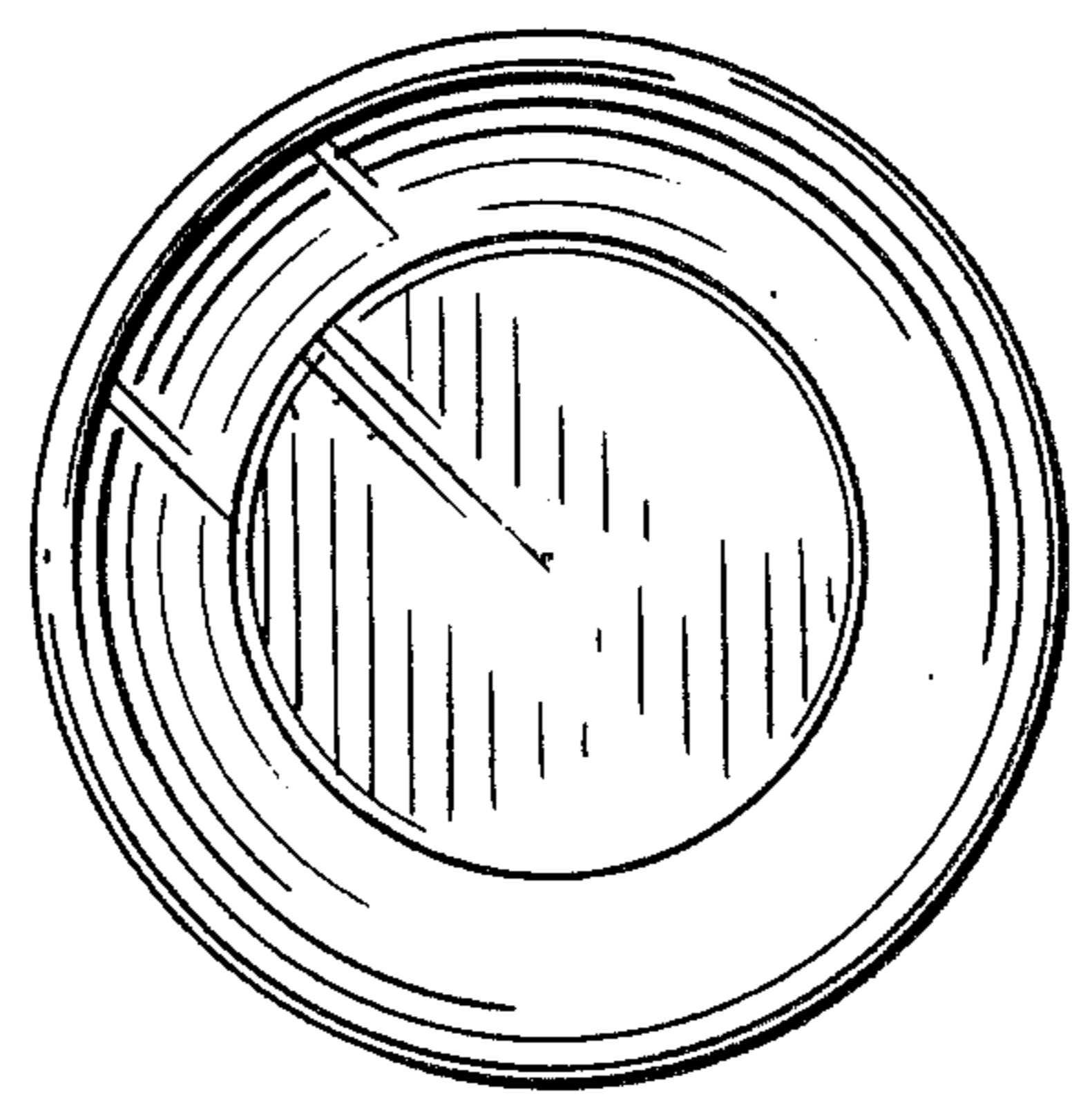


Fig. 4.

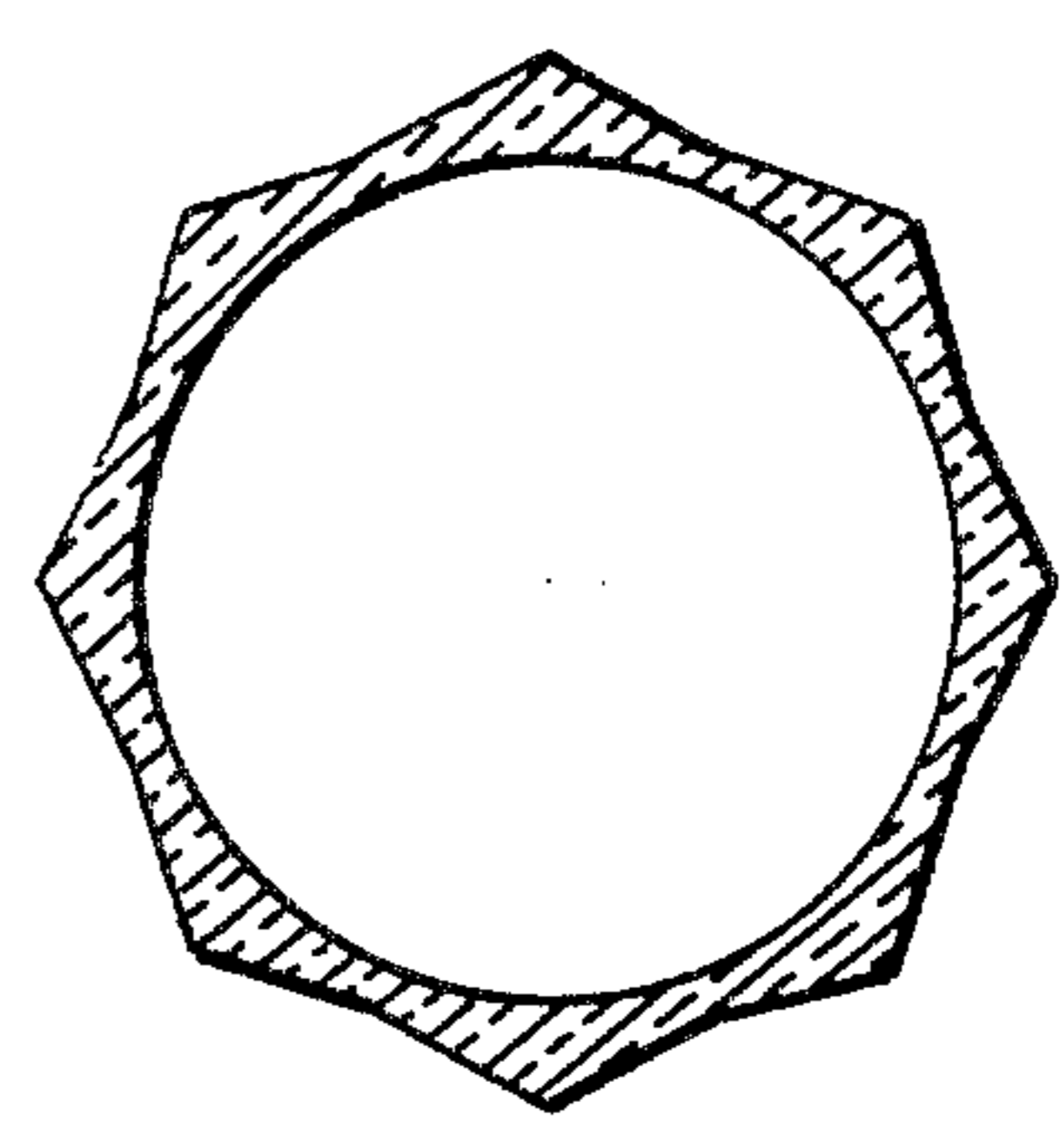


Fig. 5.

Fig. 6.

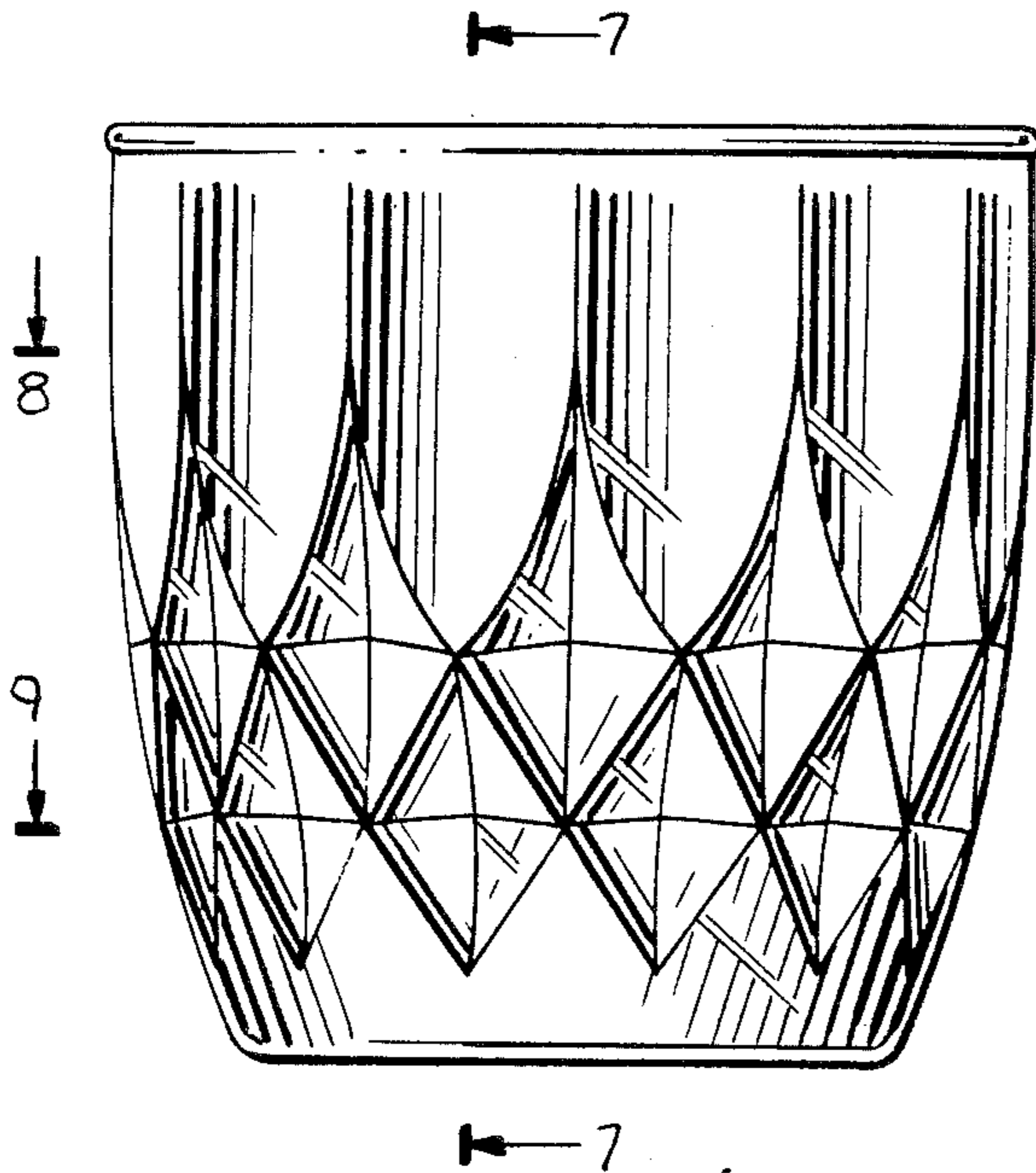


Fig. 7.

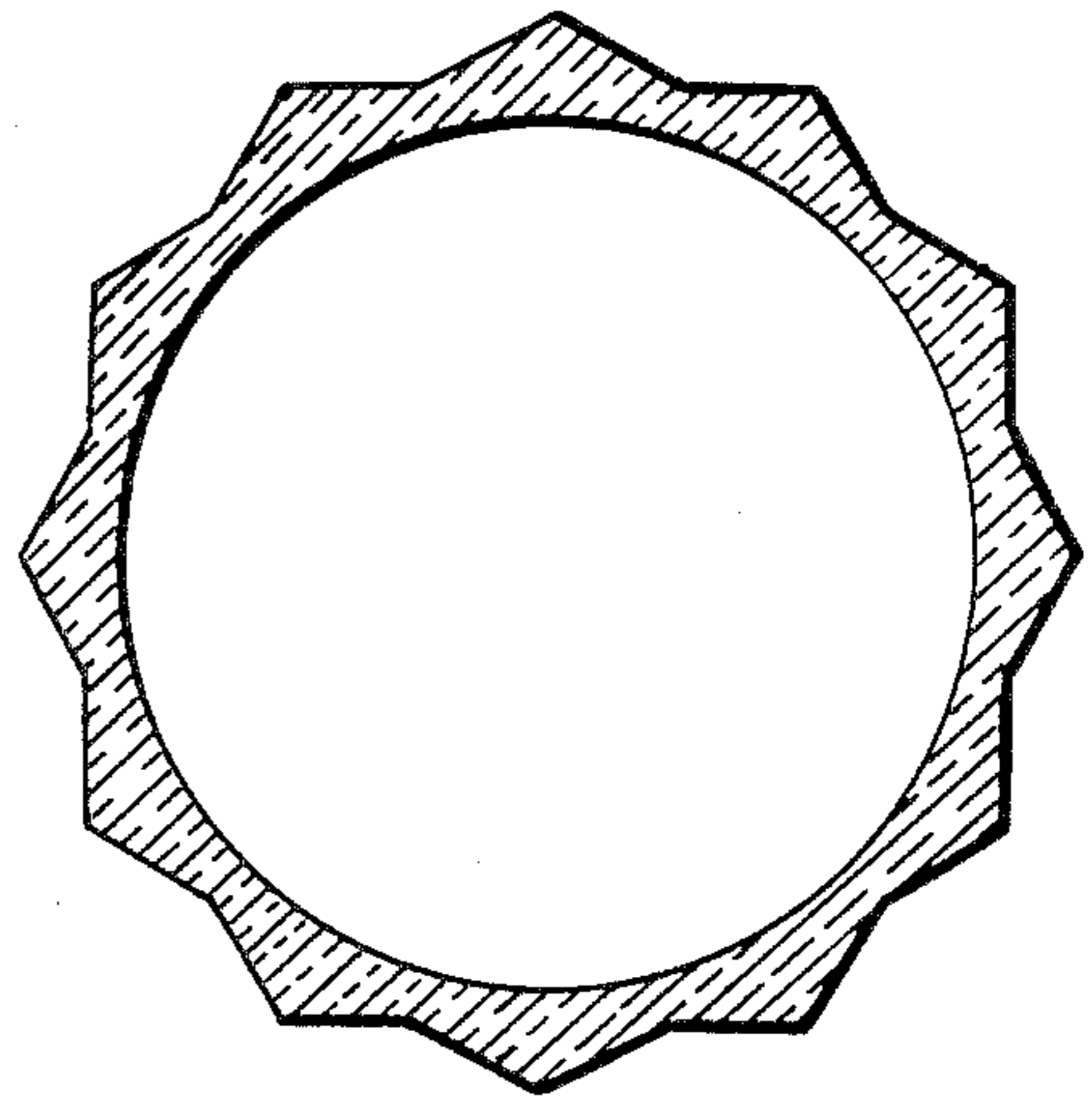
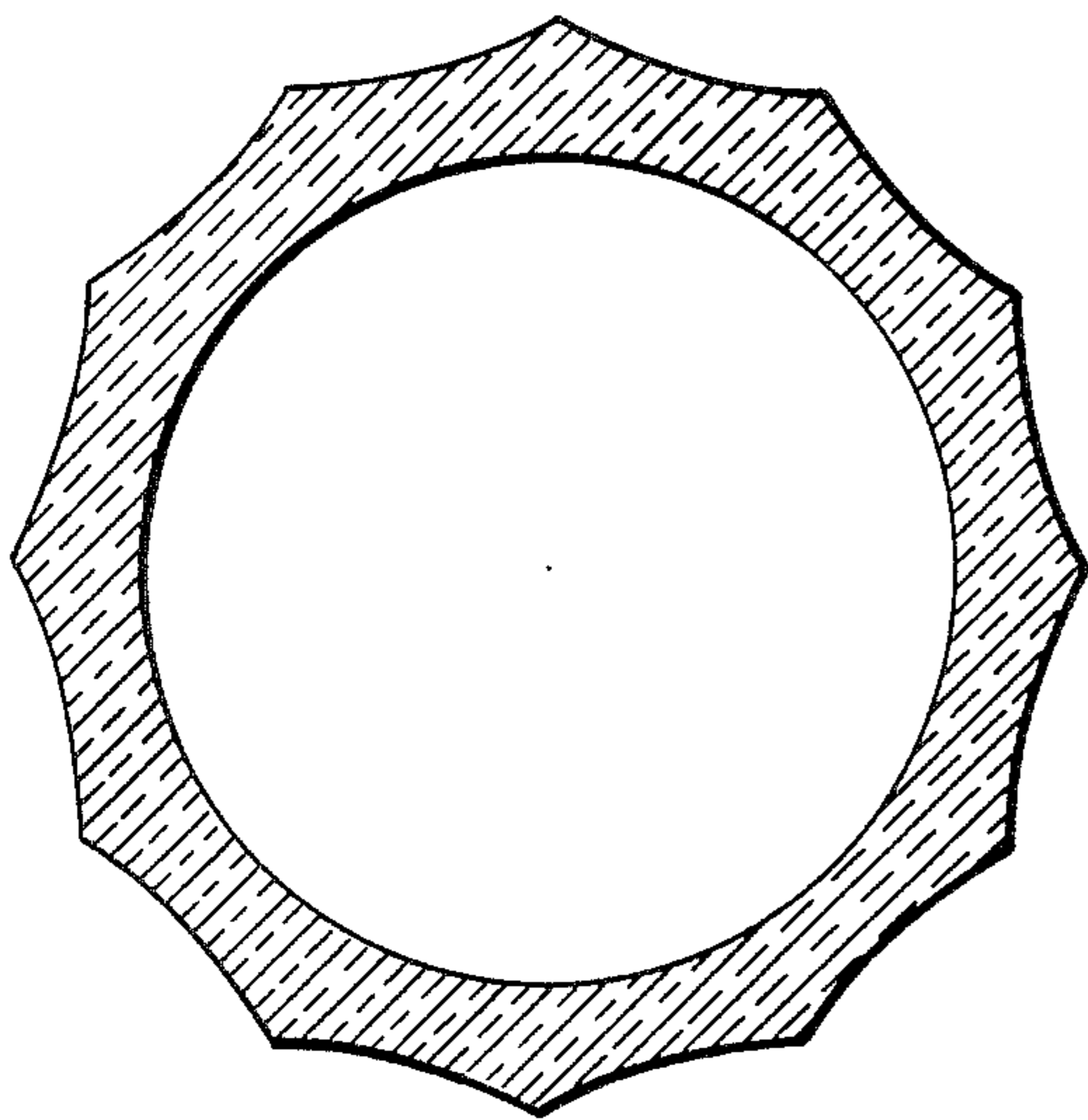
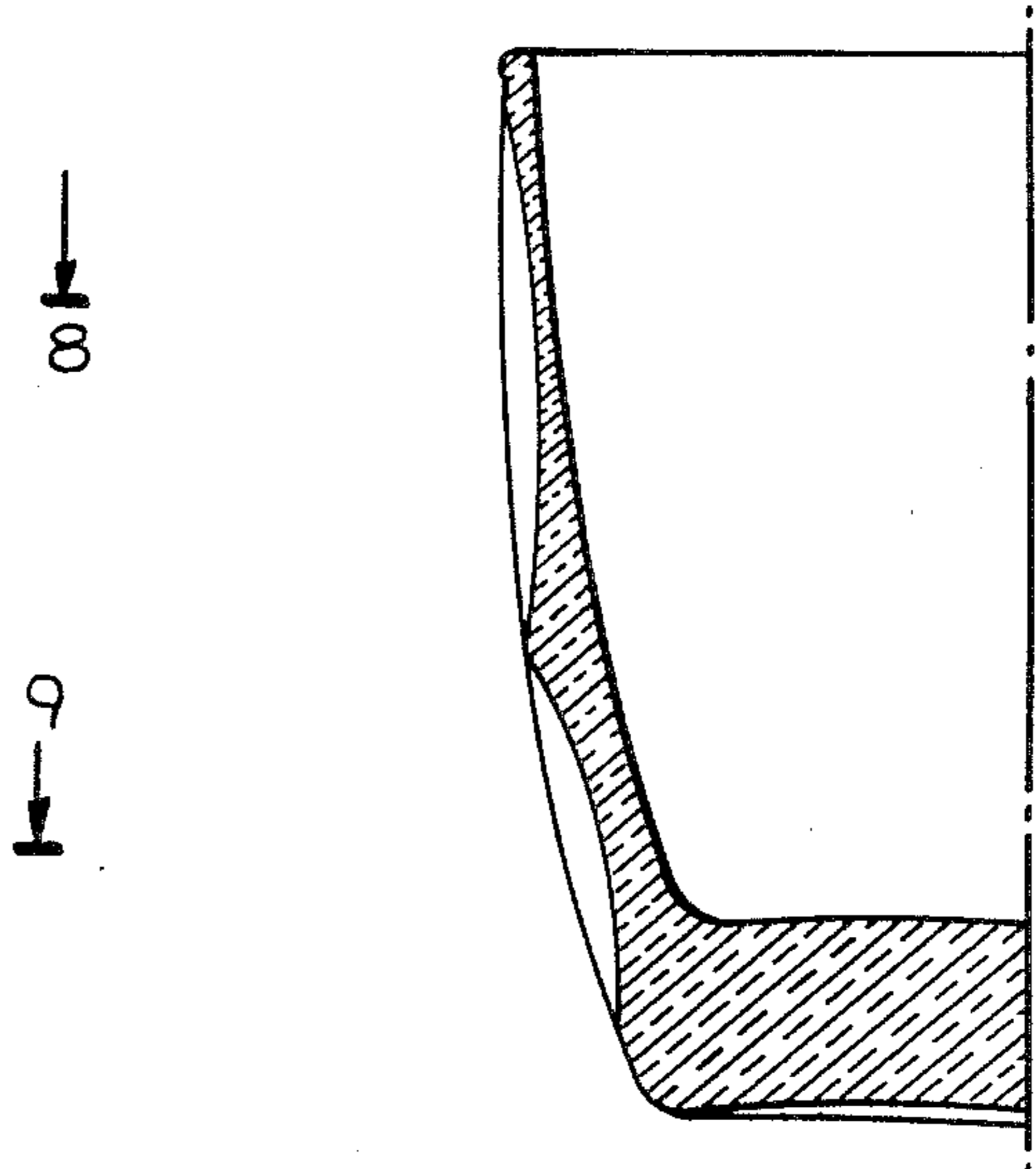


Fig. 8.

Fig. 9.

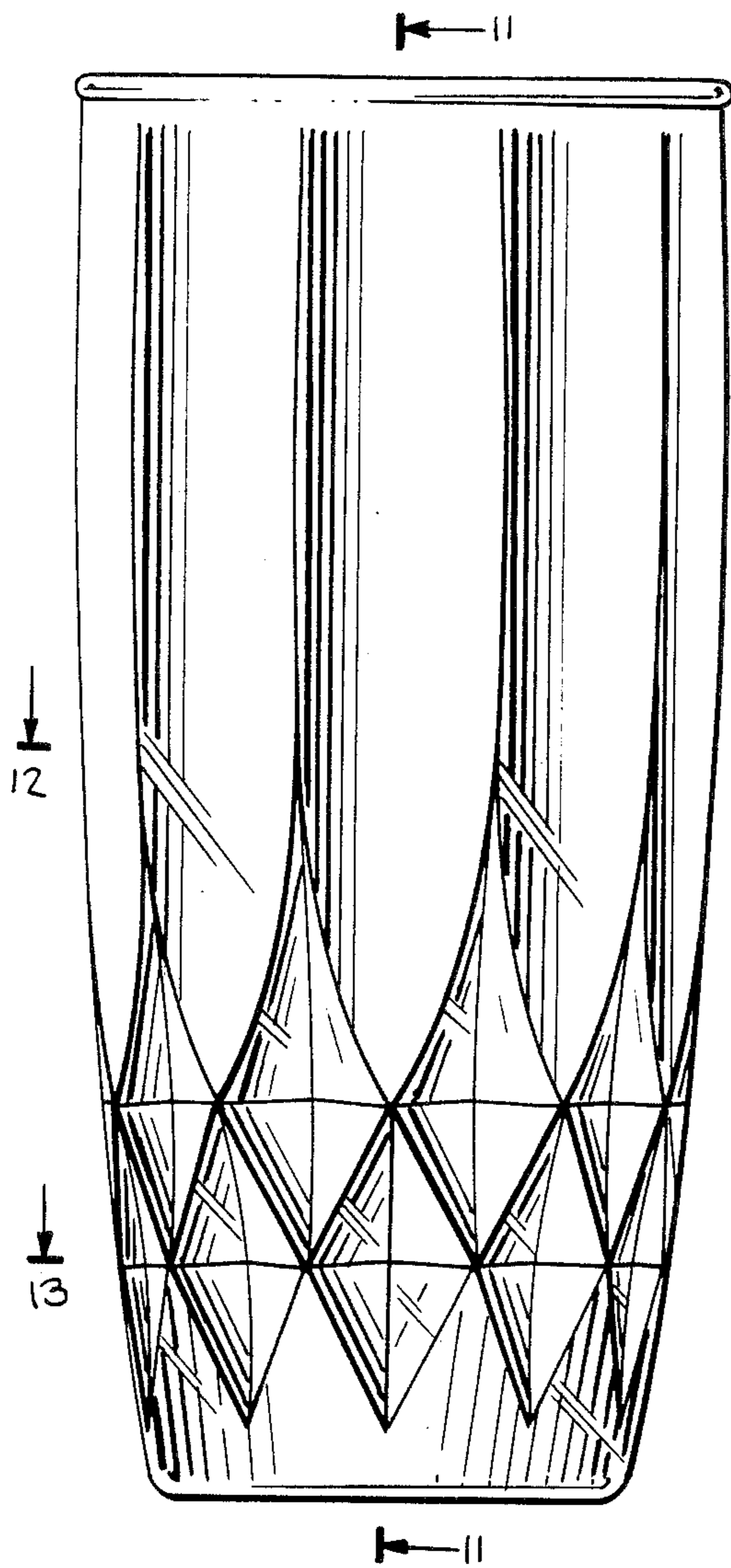


Fig. 10.

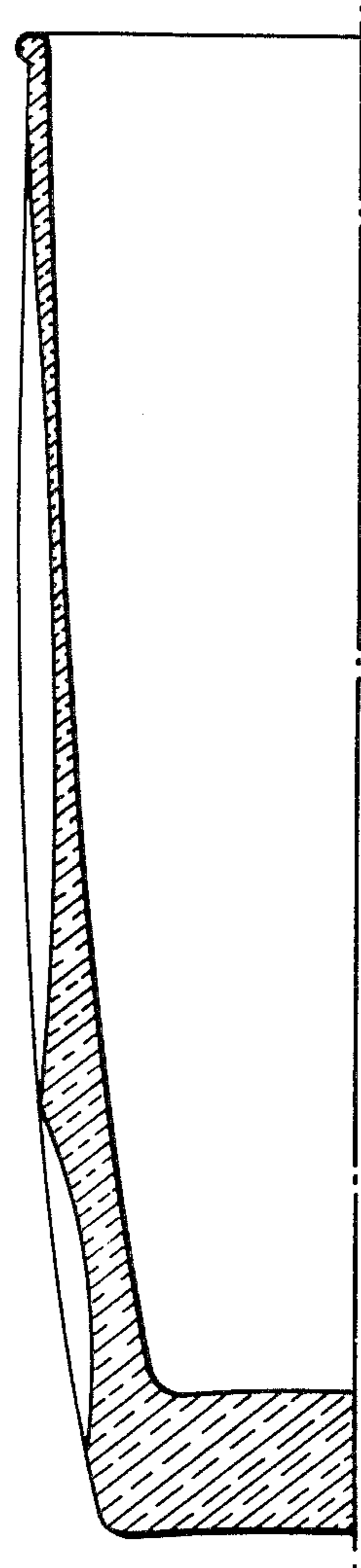


Fig. 11.

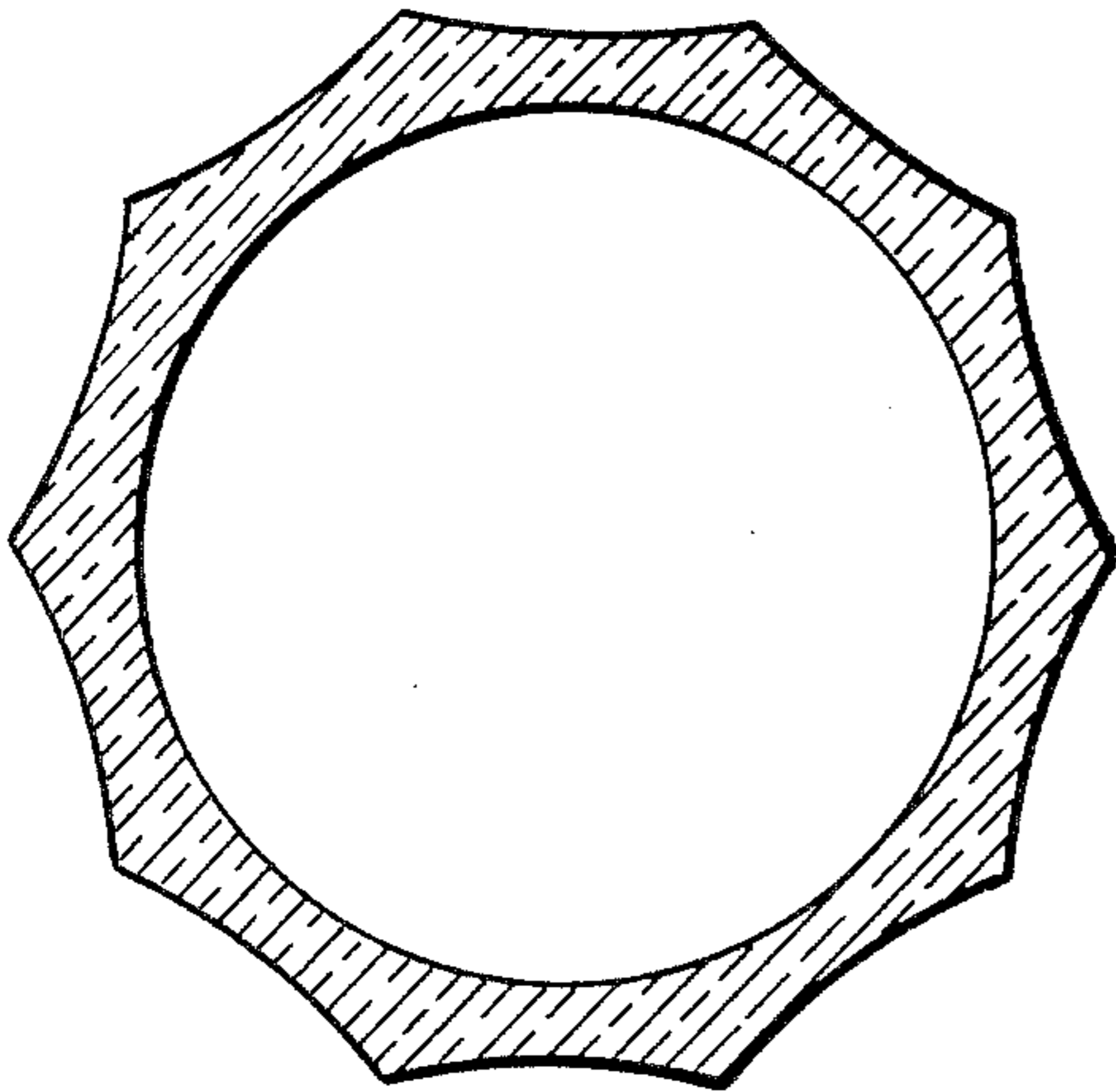


Fig. 12.

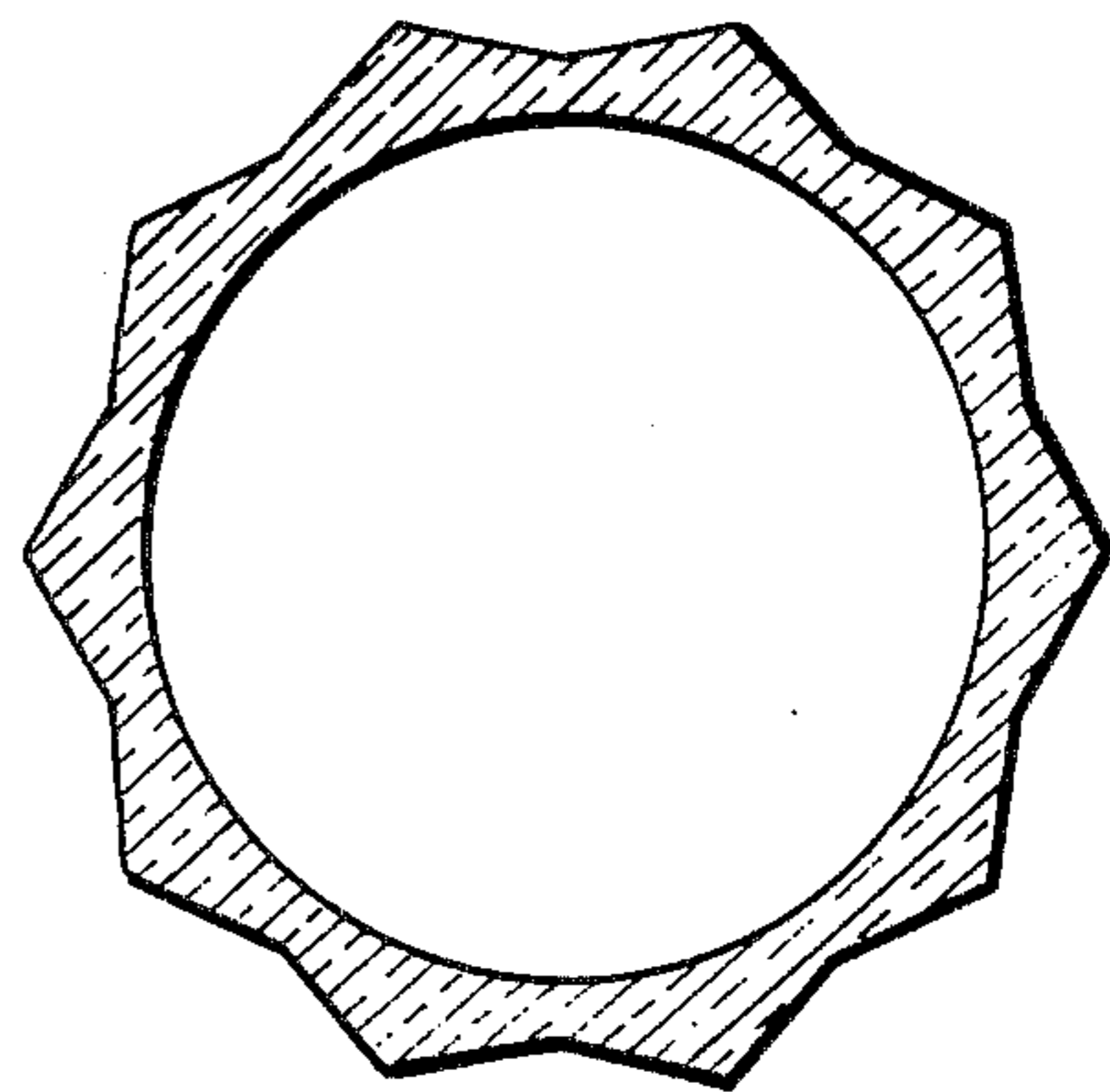


Fig. 13.