

- [54] MUG
- [75] Inventors: Robert S. Block, 8620 N. Pelham Pkwy., Village of Bayside, Wis. 53024; John F. Krieger, Grafton, Wis.
- [73] Assignee: Robert S. Block, Village of Bayside, Wis.
- [**] Term: 14 Years
- [21] Appl. No.: 702,619
- [22] Filed: Jul. 6, 1976

3,624,939 12/1971 Gossard D9/23 X

OTHER PUBLICATIONS

Gift & Tableware Reporter, Feb., 1974, p. 45, Royal Krona Double Bowls shown in r. bottom panel. Family Weekly, Magazine Sec. from "Wash Star--News", Dec. 29, 1974, p.g. bottom r. panel, Baseball Mug.

Primary Examiner—Winifred E. Herrmann
Attorney, Agent, or Firm—Roberts B. Larson

[57] CLAIM

The ornamental design for a mug, as shown and described.

Related U.S. Application Data

- [60] Continuation-in-part of Ser. No. 673,131, Apr. 2, 1976, abandoned, which is a division of Ser. No. 416,349, Nov. 16, 1973, Pat. No. D. 239,588.
- [51] Int. Cl. D7—01
- [52] U.S. Cl. D7/9; D7/5
- [58] Field of Search D7/5, 1, 3, 8, 80, 9, D7/6-15, 20, 22, 39, 50, 132; D29/23 C, 23 D; D34/11 R; D9/23, 195

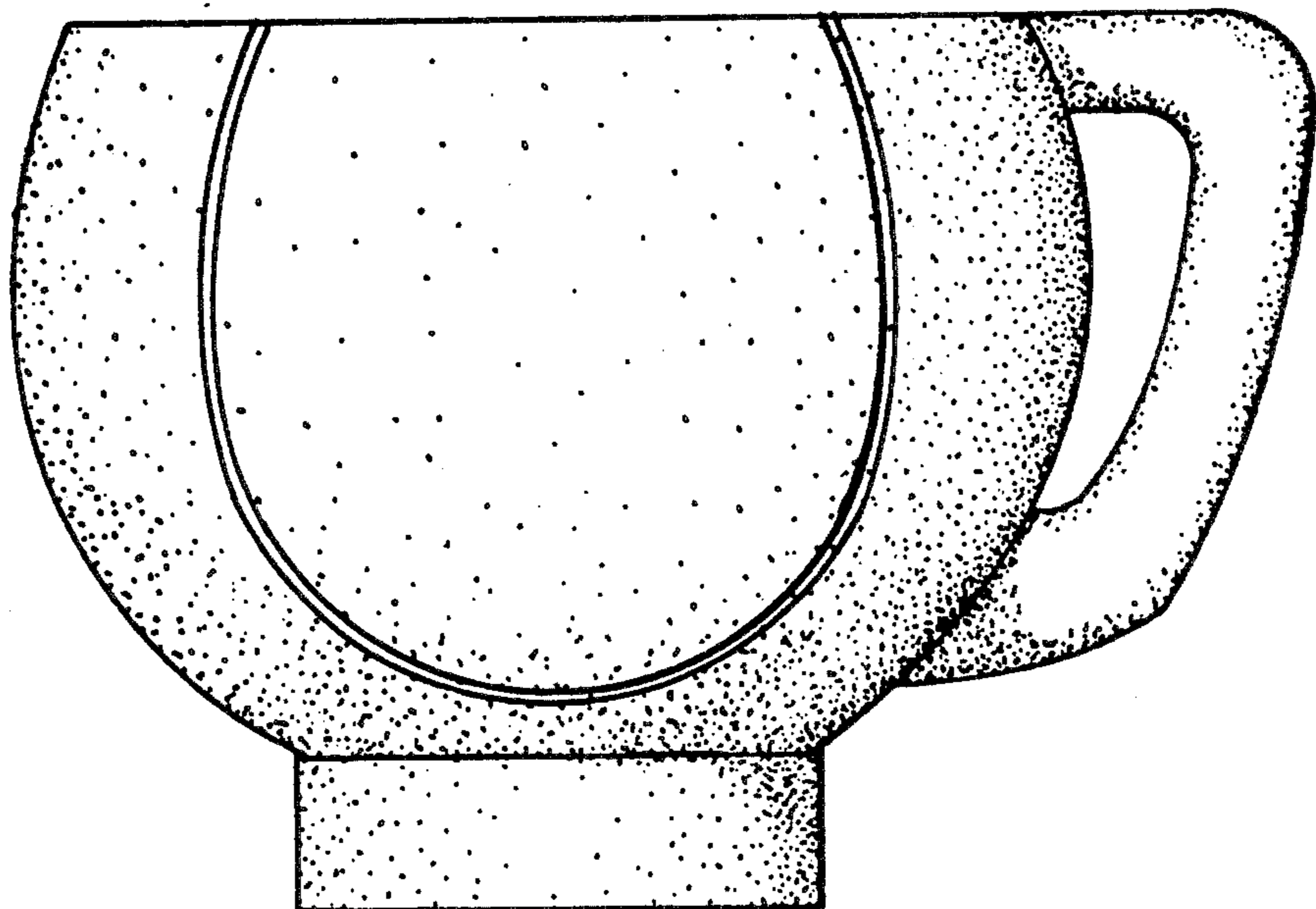
DESCRIPTION

FIG. 1 is a side elevational view of a mug, showing our new design.
 FIG. 2 is a top plan view of FIG. 1.
 FIG. 3 is a right end elevational view of FIG. 1.
 FIG. 4 is a bottom plan view of FIG. 1.
 FIG. 5 is a side elevational view of a modification of our design of FIG. 1;
 FIG. 6 is a top plan view of FIG. 5.
 FIG. 7 is a right end elevational view of FIG. 5.
 FIG. 8 is a bottom plan view of FIG. 5.
 FIG. 9 is a side elevational view of another modification of our design of FIG. 1;
 FIG. 10 is a top plan view of FIG. 9.
 FIG. 11 is a right end elevational view of FIG. 9.
 FIG. 12 is a bottom plan view of FIG. 9.

References Cited

U.S. PATENT DOCUMENTS

- D. 40,259 9/1909 Fischer D7/5 X
- D. 144,905 6/1946 Cameron D7/9
- D. 153,602 5/1949 Halbriter D7/5 X
- D. 166,458 4/1952 Edwards D7/5 X
- D. 208,314 8/1967 Guerrero, Sr. D7/5 X
- D. 239,588 4/1976 Krieger et al. D7/5
- D. 241,105 8/1976 Krieger et al. D7/5 X



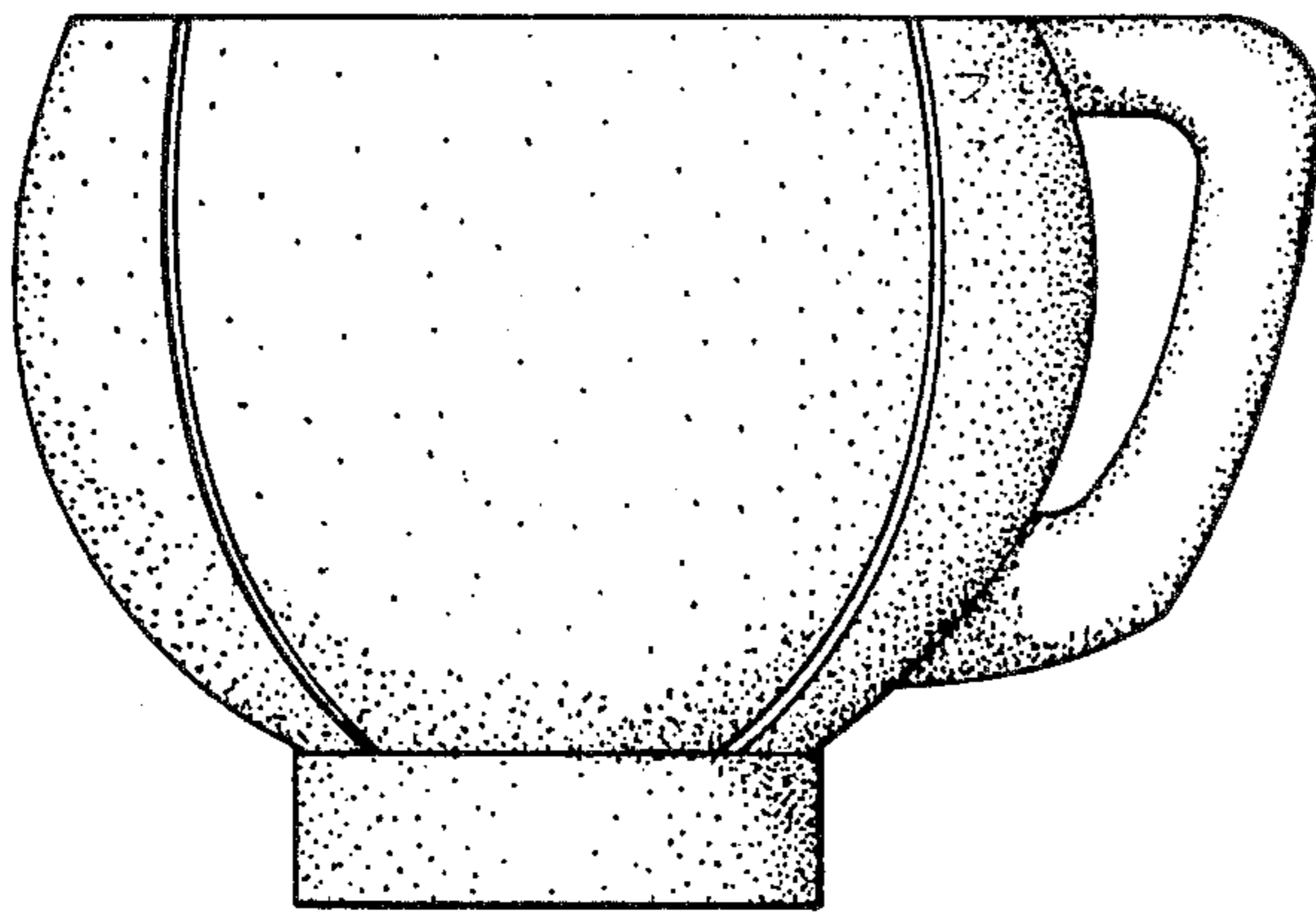


FIG. 1

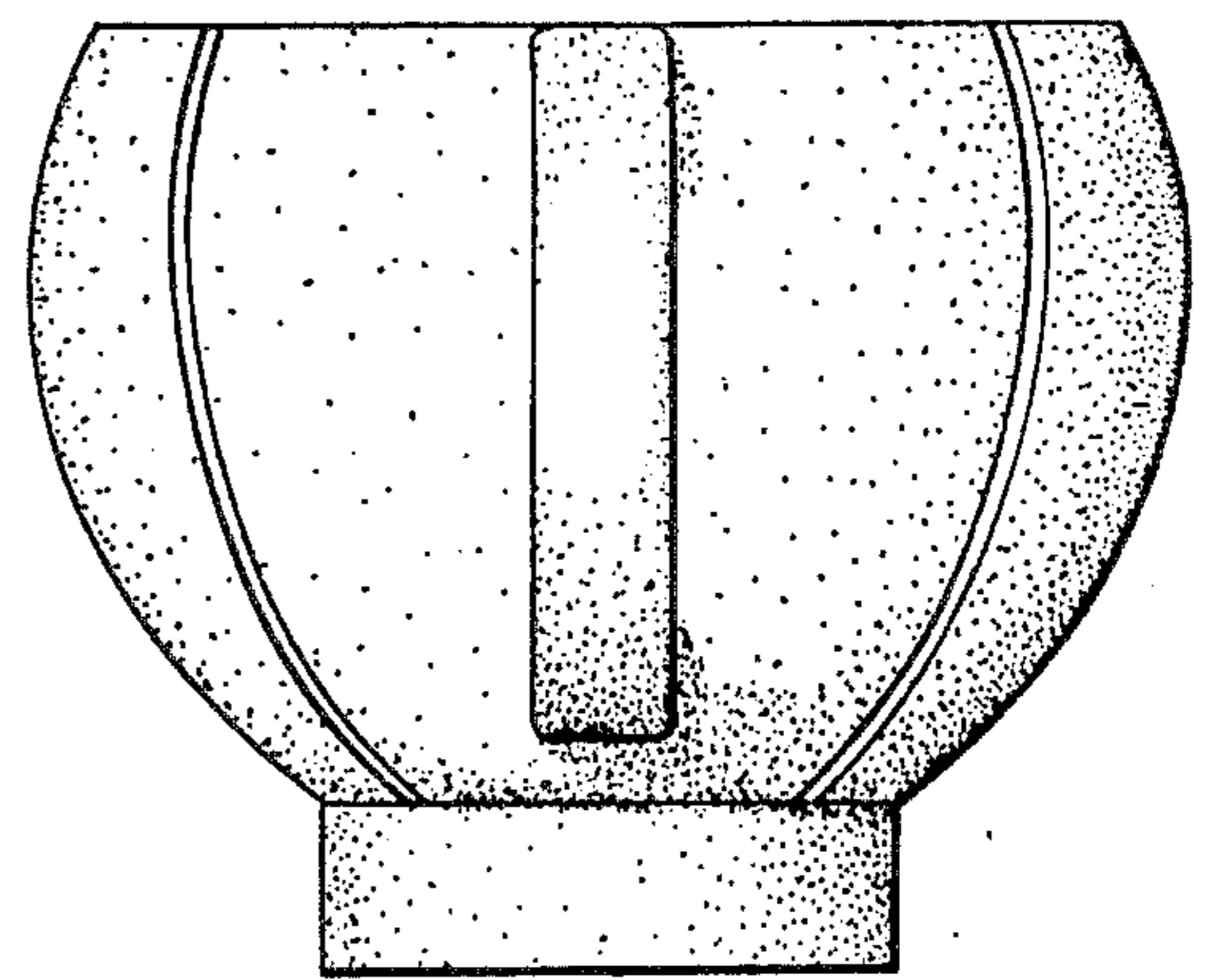


FIG. 3

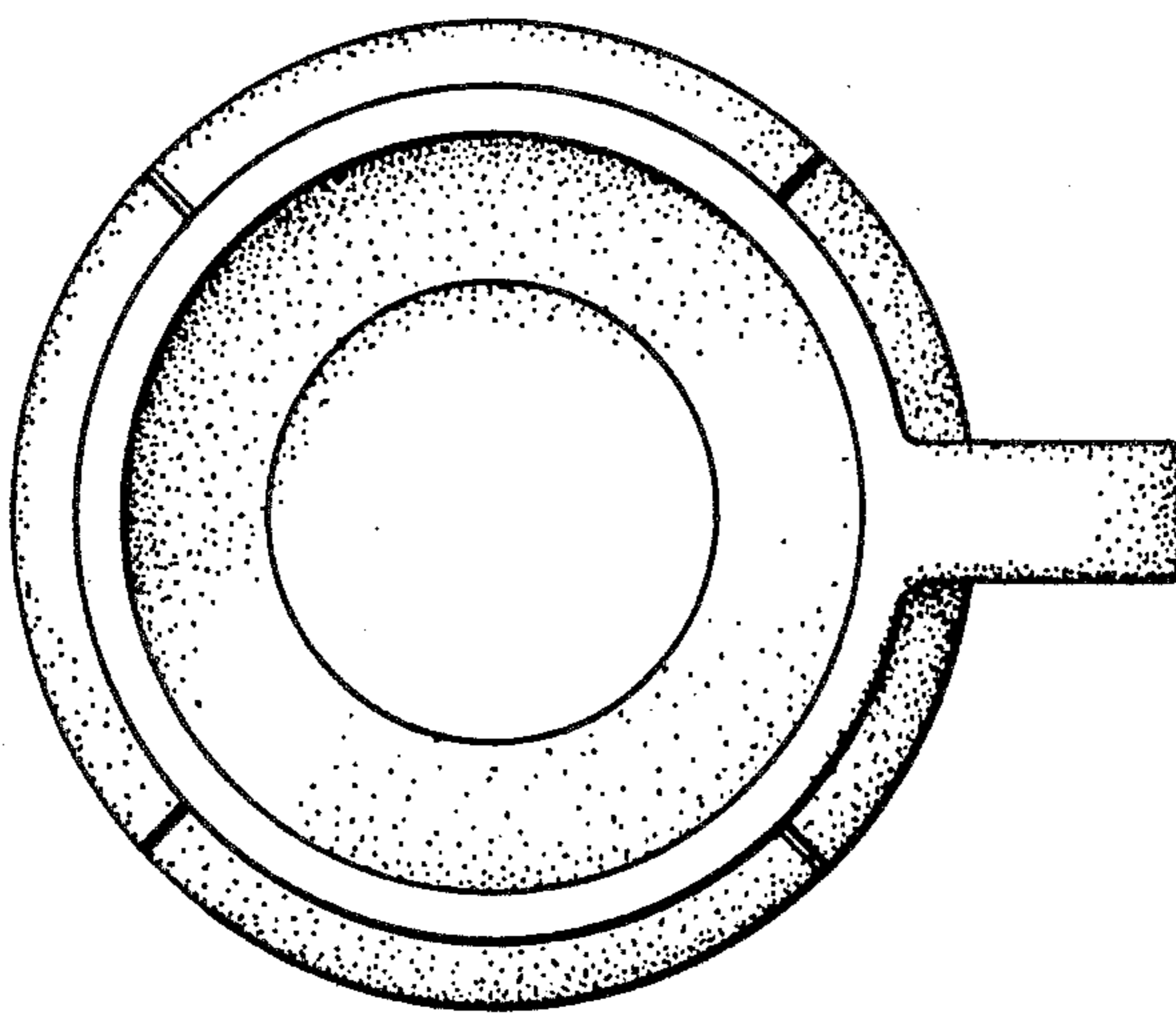


FIG. 2

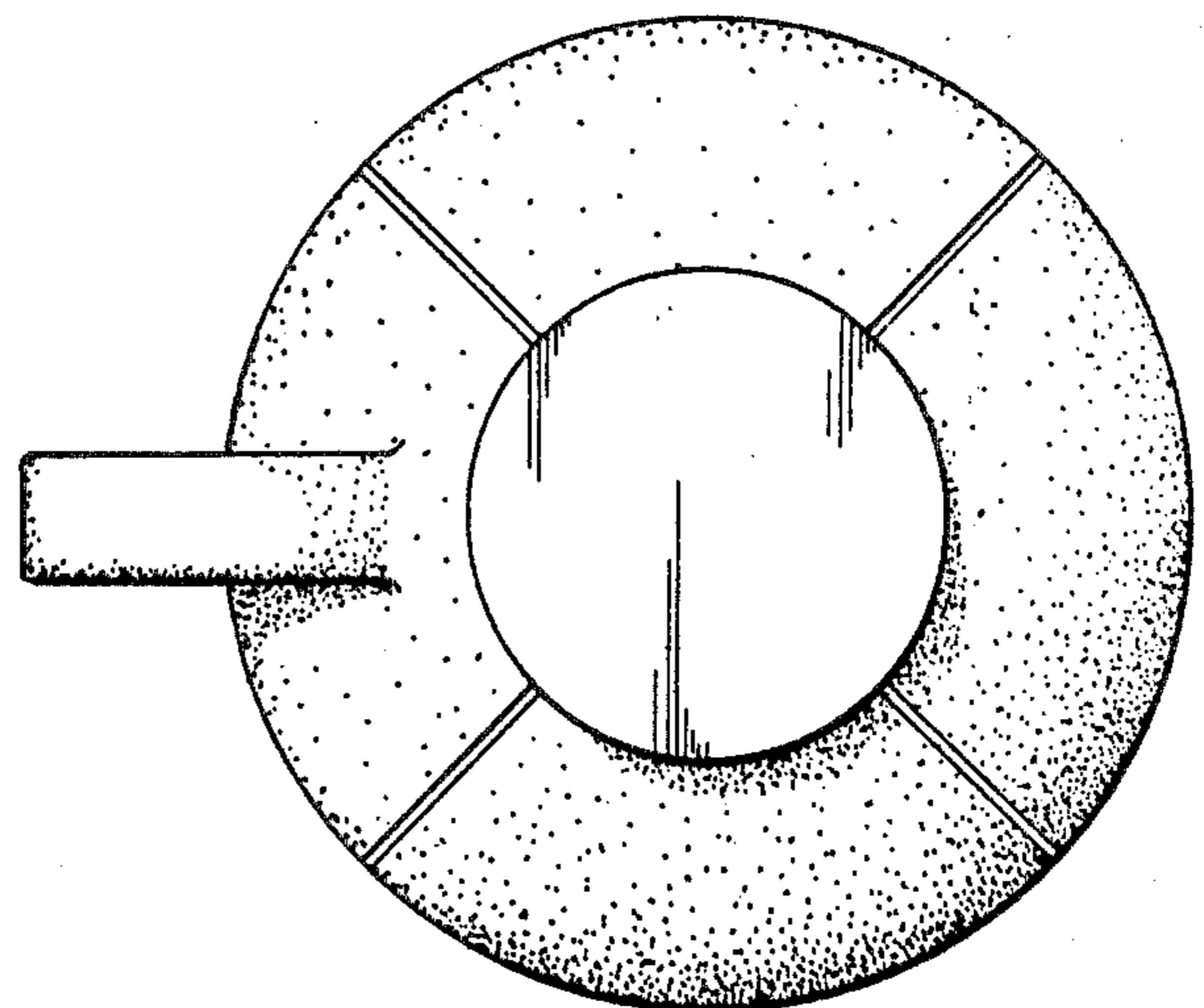


FIG. 4

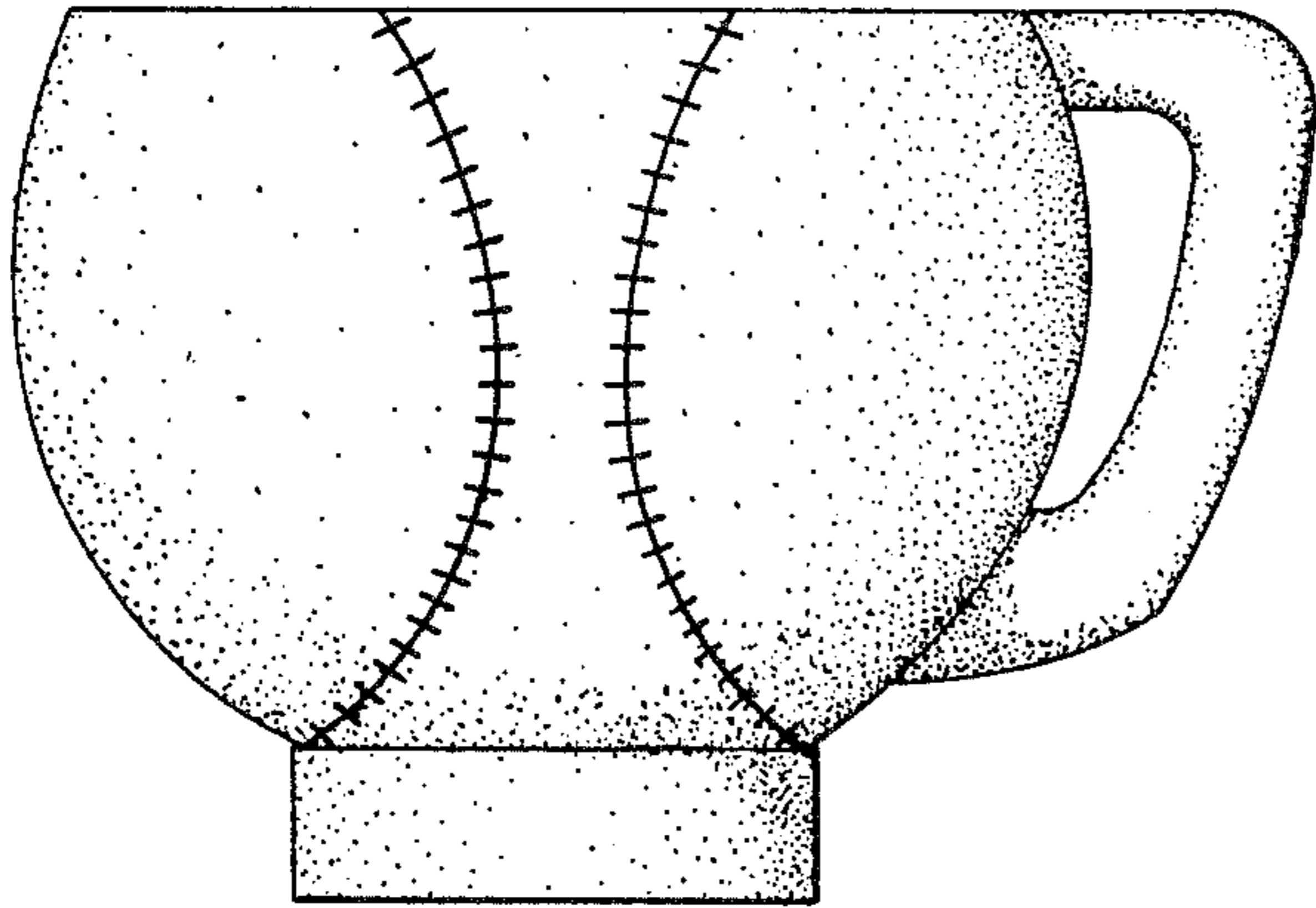


FIG. 5

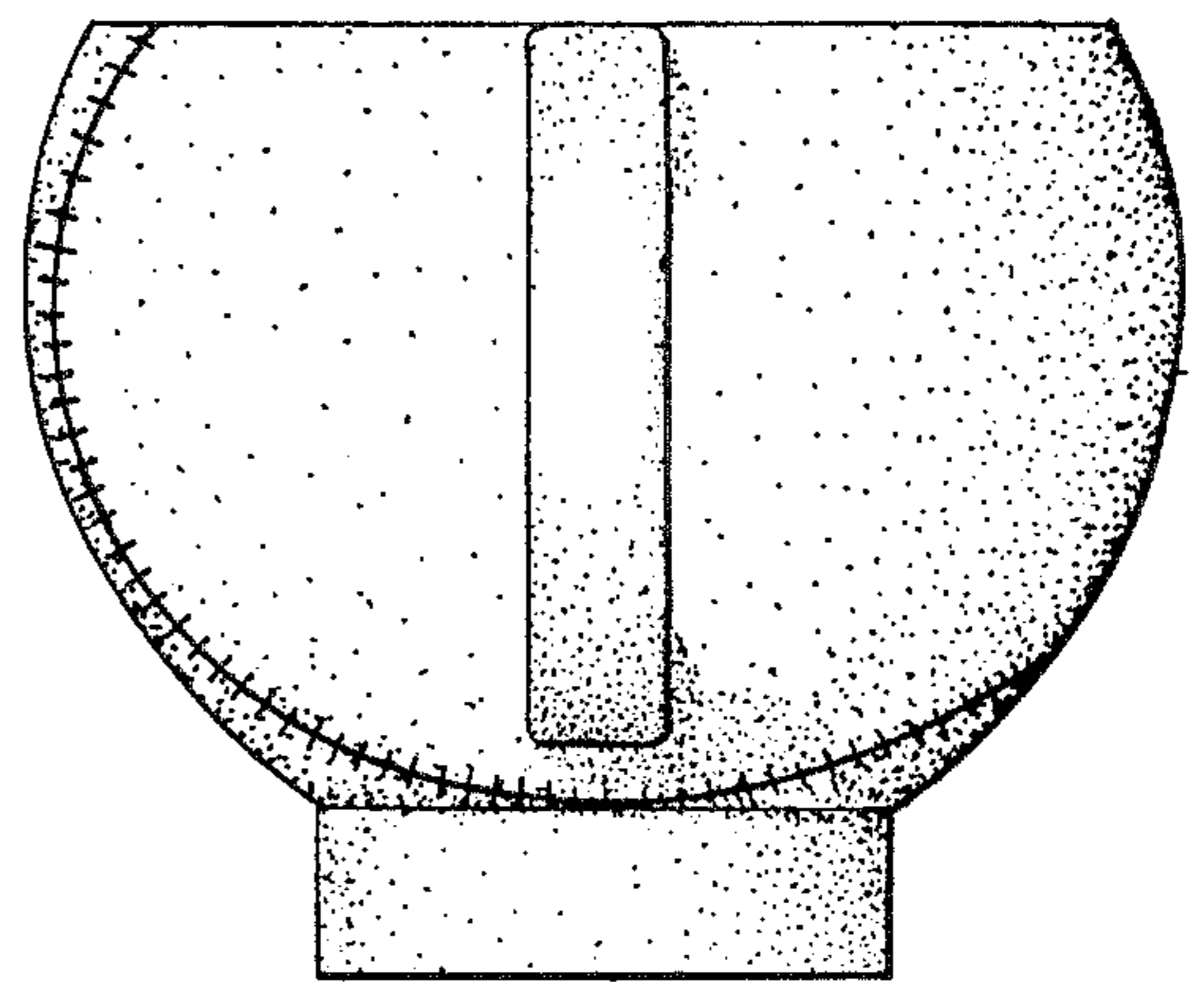


FIG. 7

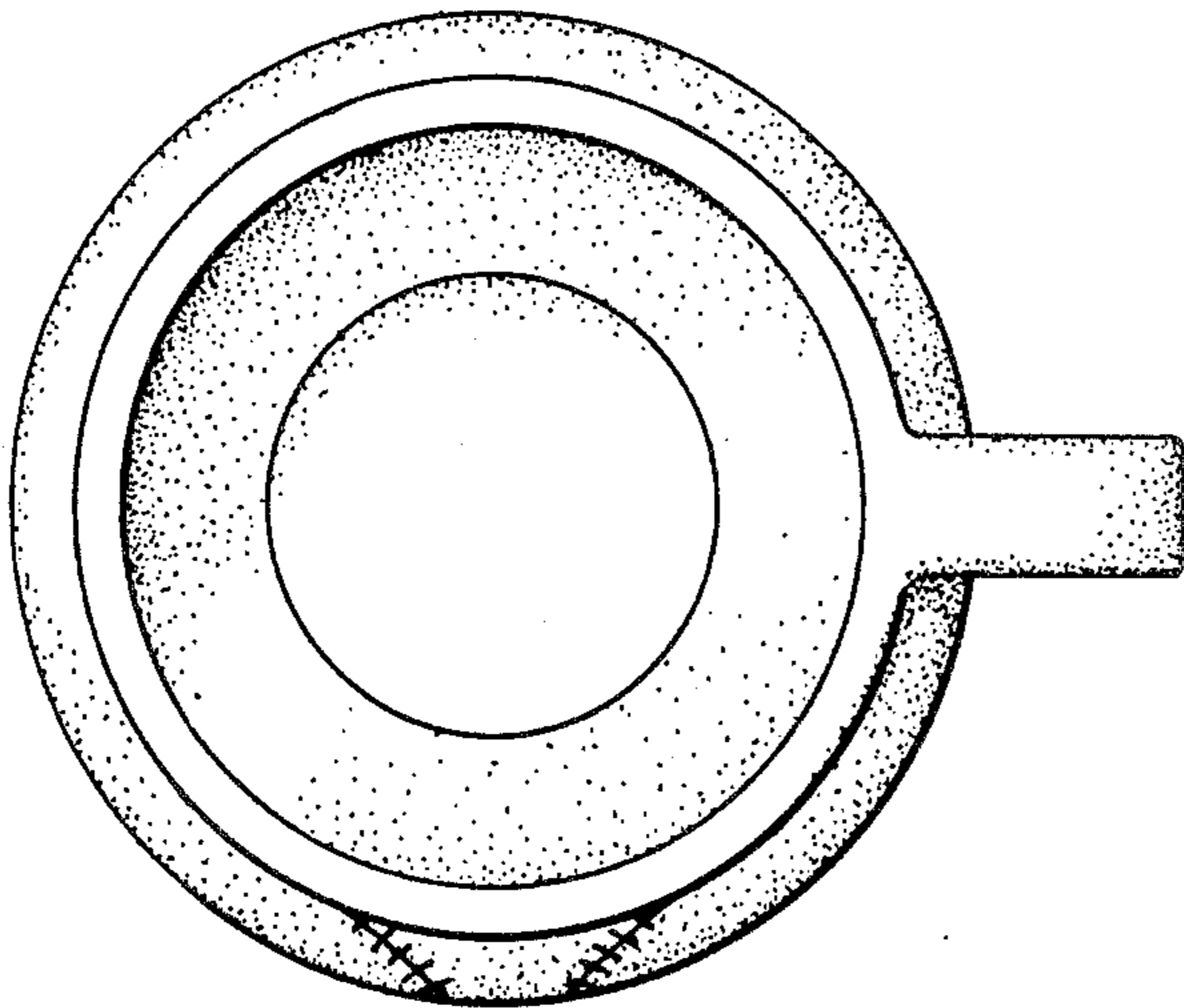


FIG. 6

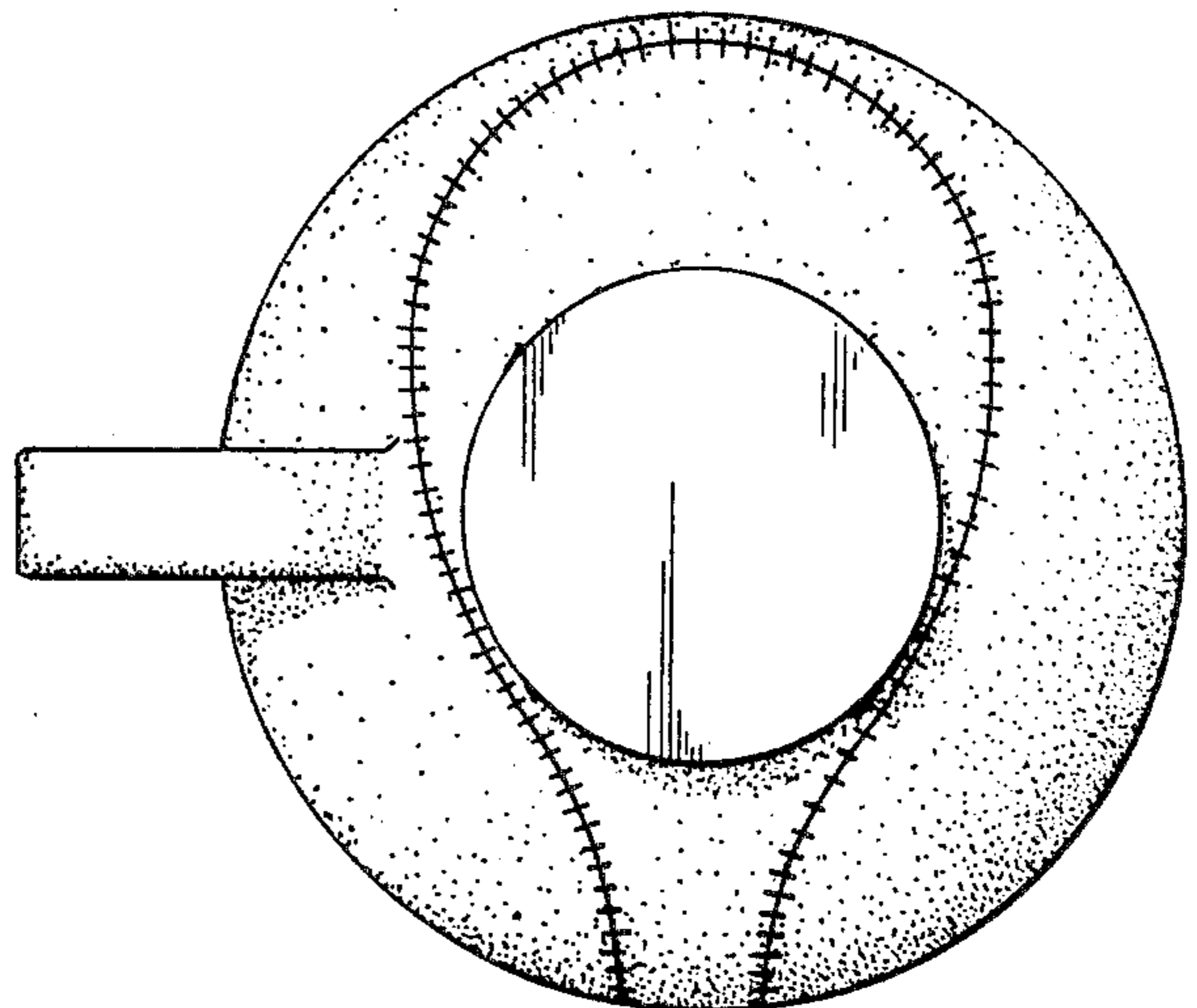


FIG. 8

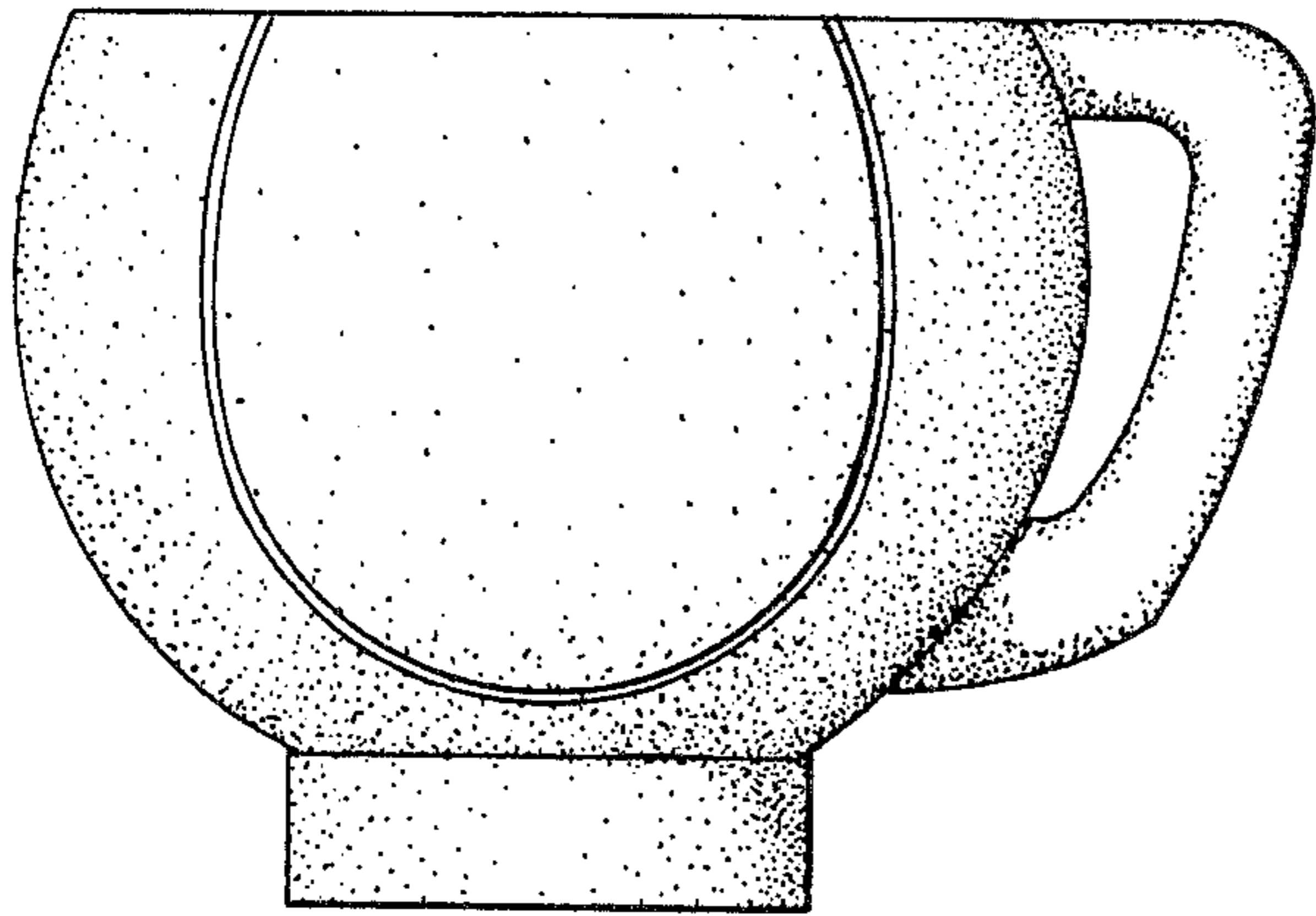


FIG. 9

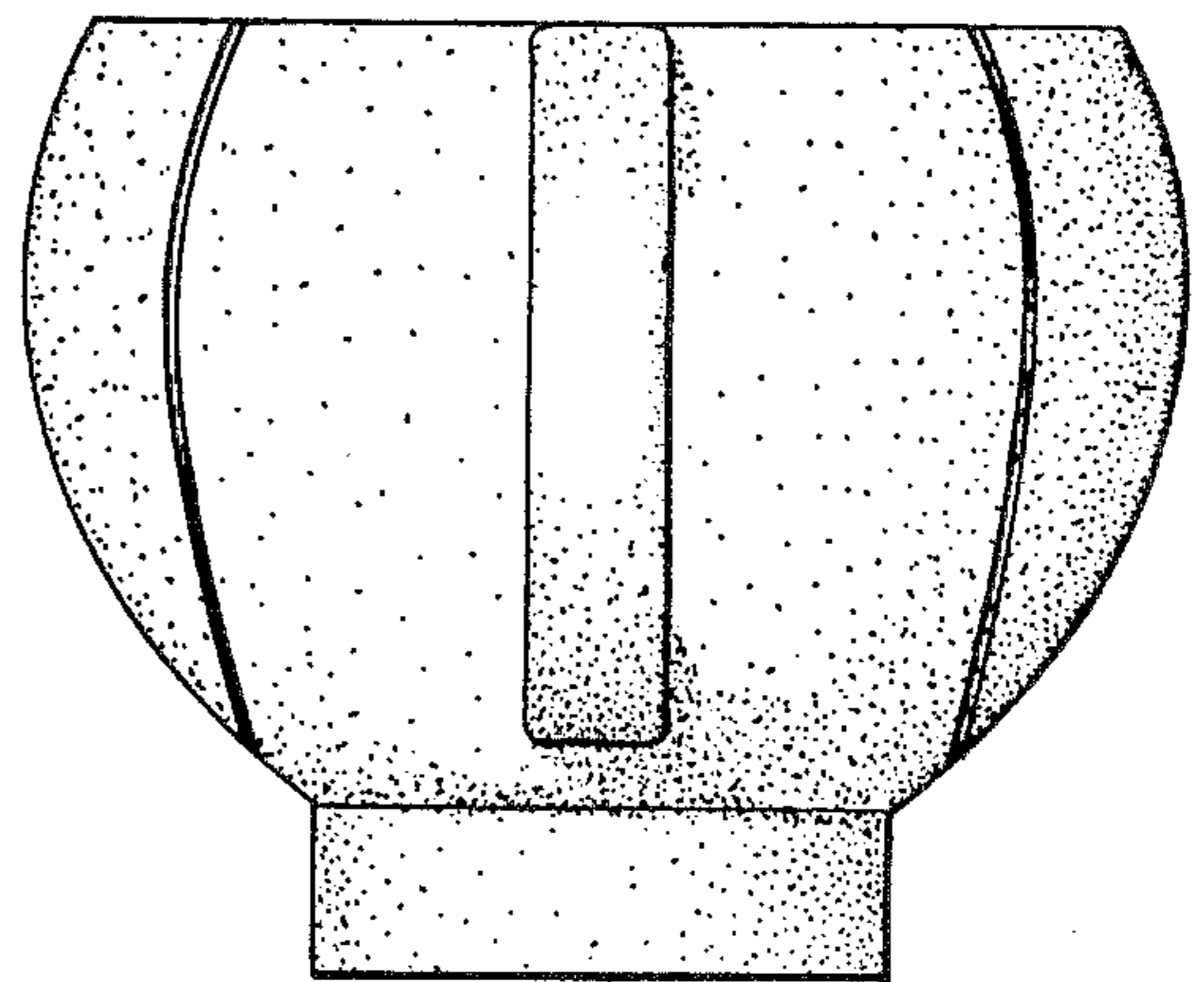


FIG. 11

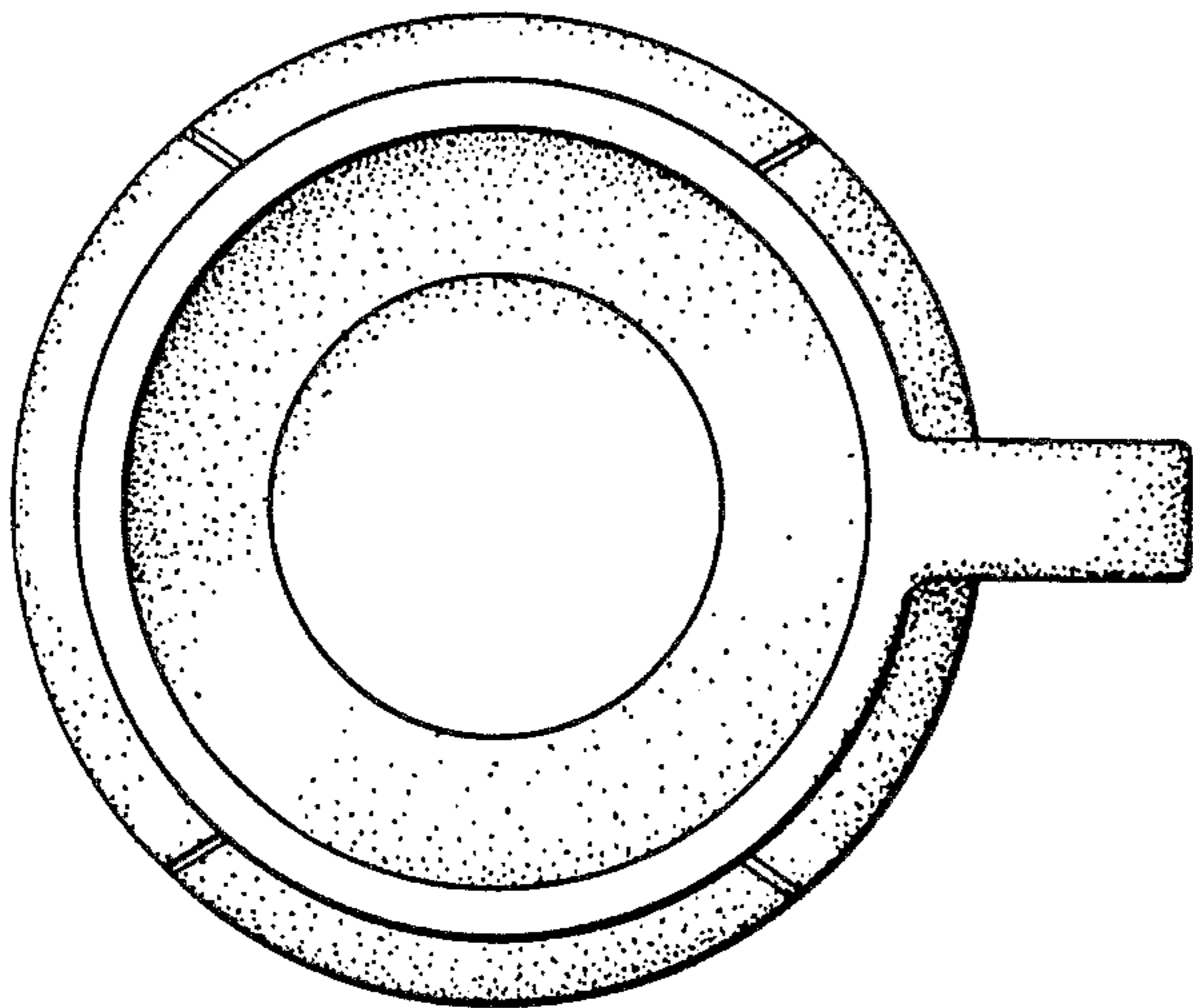


FIG. 10

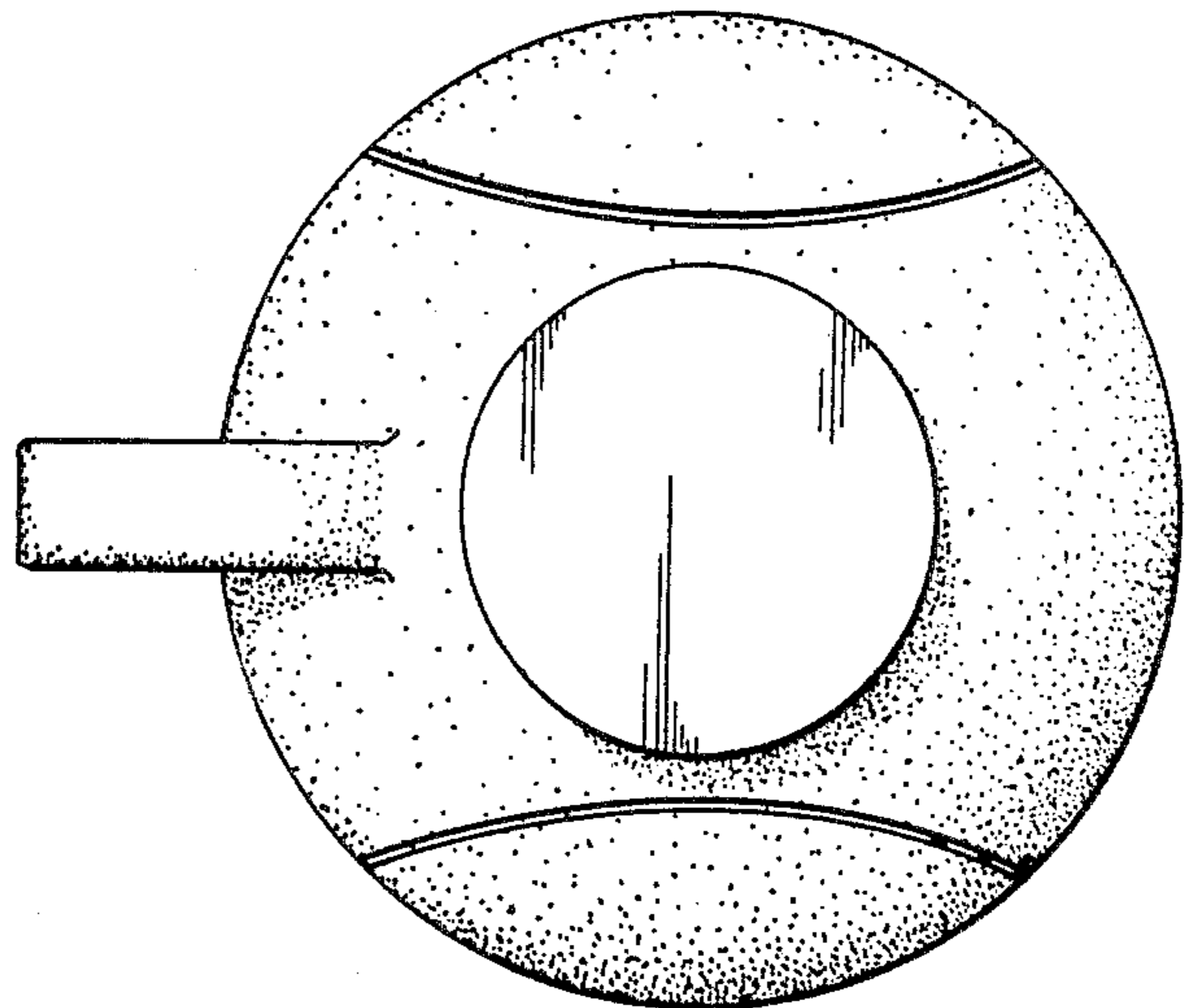


FIG. 12