

[54] COMBINED HOLDER TRAY AND COOKING PAN

D. 224,662 8/1972 Swett et al. .... D7/38

[75] Inventor: Harry F. Collins, Golden Valley, Minn.

[73] Assignee: Service Ideas, Inc.

[\*\*] Term: 14 Years

[21] Appl. No.: 733,008

[22] Filed: Oct. 15, 1976

[51] Int. Cl. .... D7-99

[52] U.S. Cl. .... D7/3; D7/21; D7/97

[58] Field of Search ..... D7/1, 3, 21, 46, 19, D7/20, 45, 37, 38, 85, 96, 27, 97, 98, 122, 130

[56] References Cited

U.S. PATENT DOCUMENTS

D. 147,673	10/1947	Lester et al. ....	D7/21
D. 191,123	8/1961	Jones .....	D7/37
D. 207,593	5/1967	Douglas .....	D7/37
D. 216,435	1/1970	Swett et al. ....	D7/38 X

OTHER PUBLICATIONS

Housewares, Apr. 1972, p. 52, Weavewood, Inc., "Sizzler Hot Platter", top panel.

Primary Examiner—Winifred E. Herrmann  
Attorney, Agent, or Firm—George F. Williamson

[57] CLAIM

The ornamental design for combined holder tray and cooking pan, as shown and described.

DESCRIPTION

FIG. 1 is a top perspective view of combined holder tray and cooking pan showing my new design; FIG. 2 is an exploded elevational view thereof as seen from the front or rear of FIG. 1; FIG. 3 is an exploded elevational view thereof as seen from the left or right end of FIG. 1; and FIG. 4 is a sectional view thereof taken on line 4-4 of FIG. 1.

The bottom of the design shown in the drawing figures is plain and unornamented.

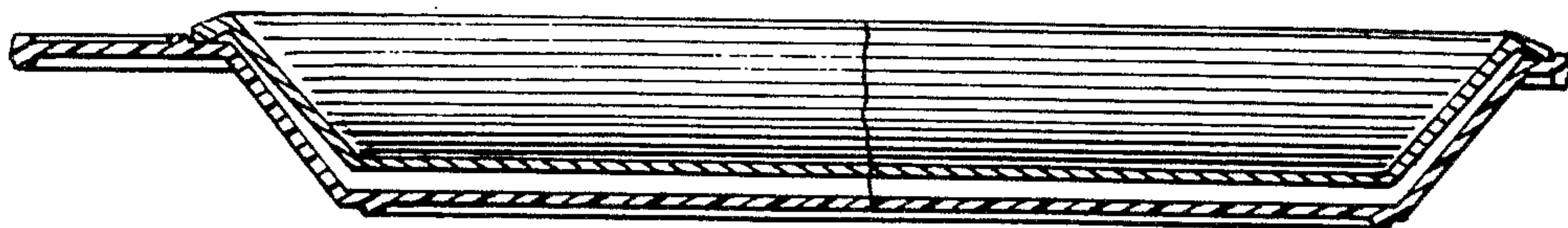
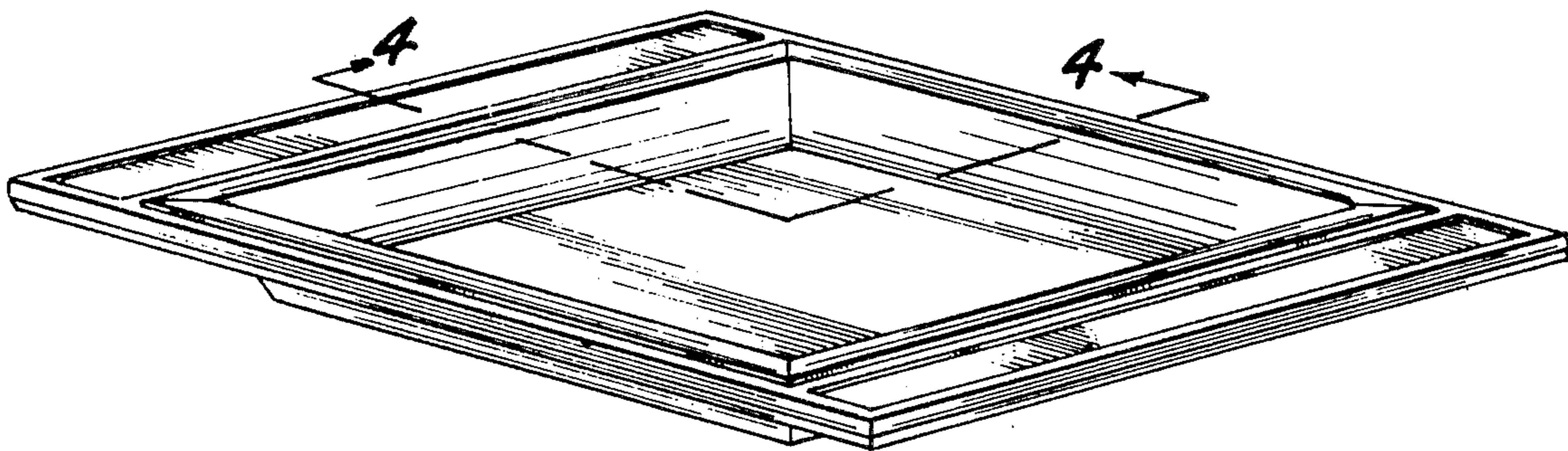


FIG. 1

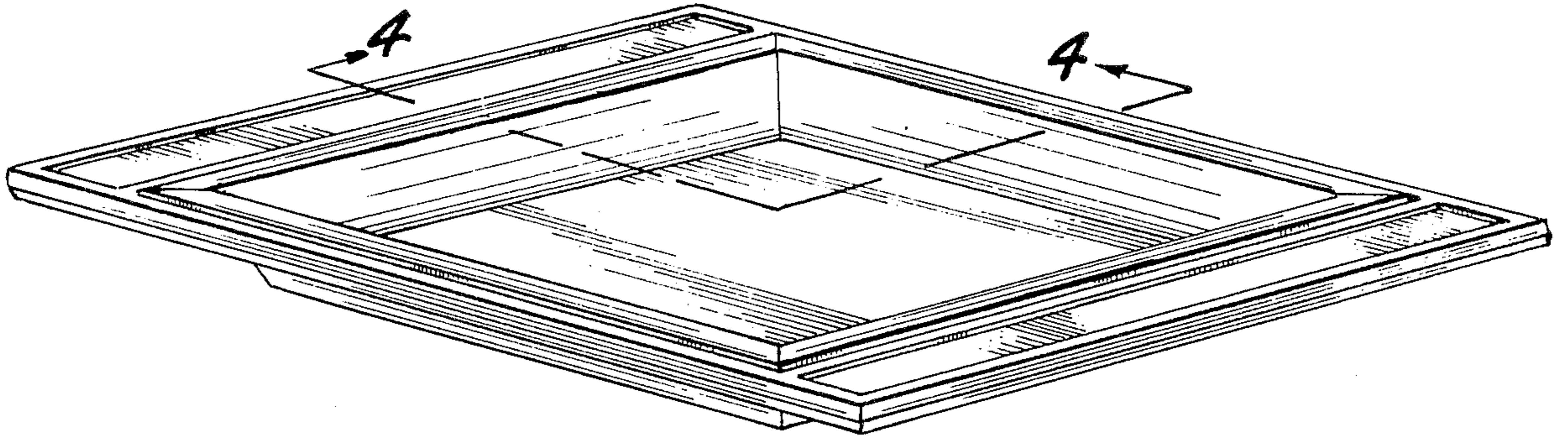


FIG. 4

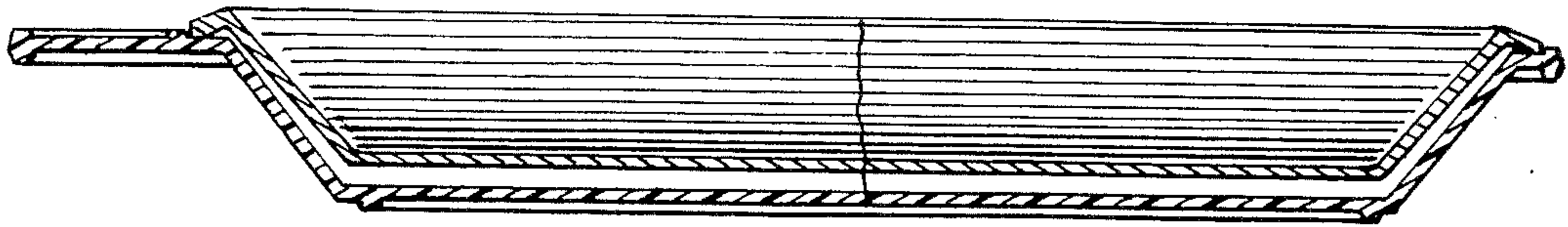


FIG. 2

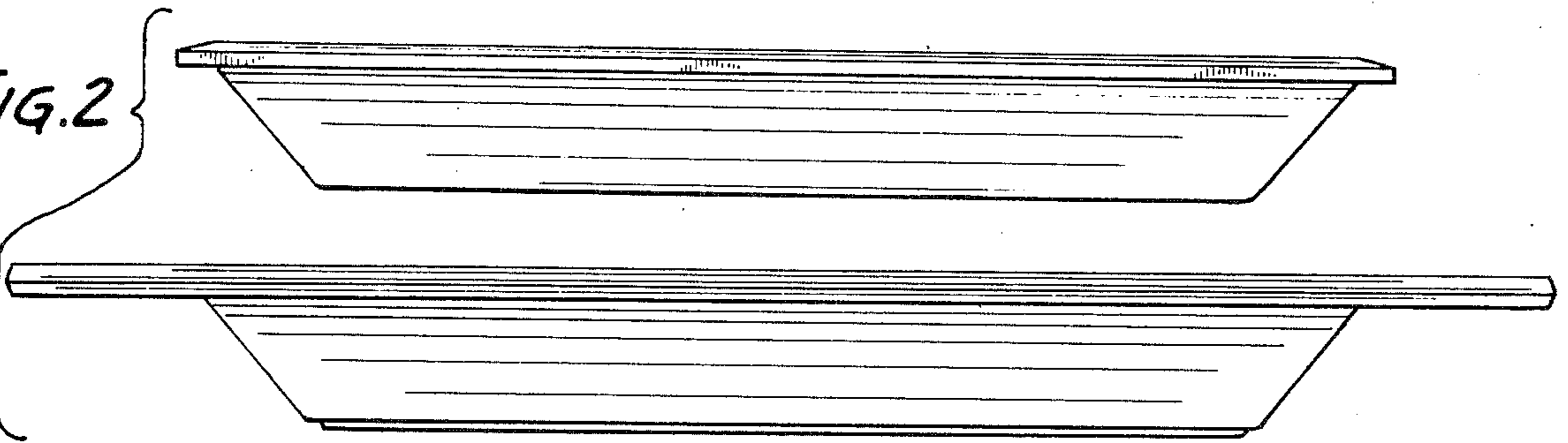


FIG. 3

