

[54] CHAIR

[76] Inventor: Steven Douglas Gageby, 12 Hay Camp Rd., North Oaks, Minn. 55110

[\*\*] Term: 14 Years

[21] Appl. No.: 712,909

[22] Filed: Aug. 9, 1976

[51] Int. Cl. .... D6—01

[52] U.S. Cl. .... D6/56; D6/72

[58] Field of Search ..... D6/26, 29, 30, 31, 33, D6/38, 47, 56, 57, 61, 63, 66, 67, 69, 70, 73, 75, 78

[56] References Cited

U.S. PATENT DOCUMENTS

D. 147,935	11/1947	Sundberg .....	D6/69
D. 217,345	4/1970	Pitt .....	D6/69
D. 227,056	6/1973	Fisher .....	D6/73
D. 234,279	2/1975	Relling .....	D6/69 X

D. 238,636 2/1976 Olson et al. .... D6/67

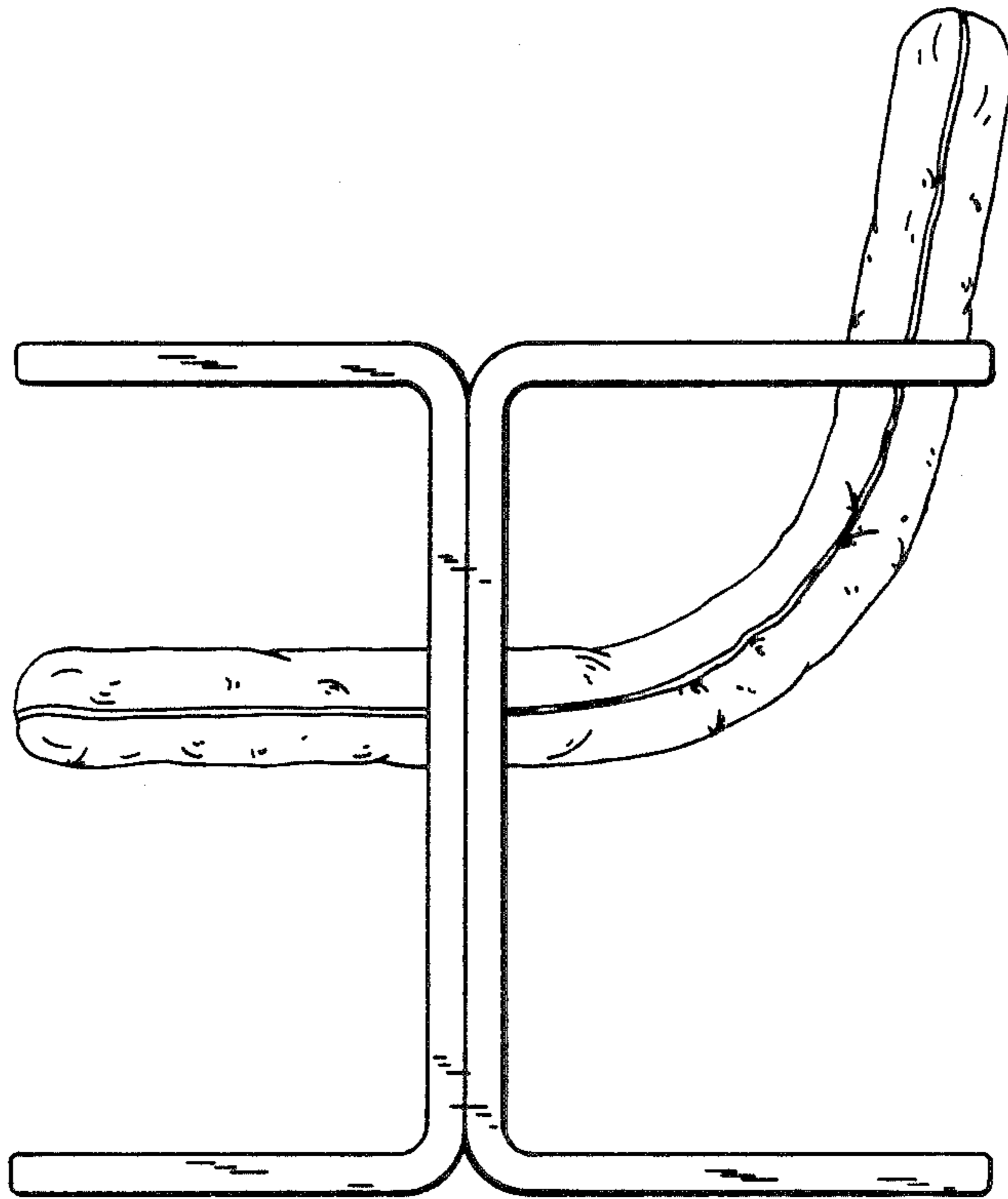
Primary Examiner—Bruce W. Dunkins  
Attorney, Agent, or Firm—Steven Douglas Gageby

[57] CLAIM

The ornamental design for a chair, as shown and described.

DESCRIPTION

FIG. 1 is a side elevation view of a chair showing my new design, the undisclosed side being substantially identical with the side shown;  
 FIG. 2 is a front elevation view thereof;  
 FIG. 3 is a rear elevation view thereof;  
 FIG. 4 is a top view thereof;  
 FIG. 5 is an enlarged cross-section taken on line 5—5 of FIG. 2;  
 FIG. 6 is a second embodiment of FIG. 3;  
 FIG. 7 is a cross-section taken on line 7—7 of FIG. 2;  
 FIG. 8 is a second embodiment of FIG. 1;  
 FIG. 9 is a third embodiment of FIG. 1; and  
 FIG. 10 is a fourth embodiment of FIG. 1.



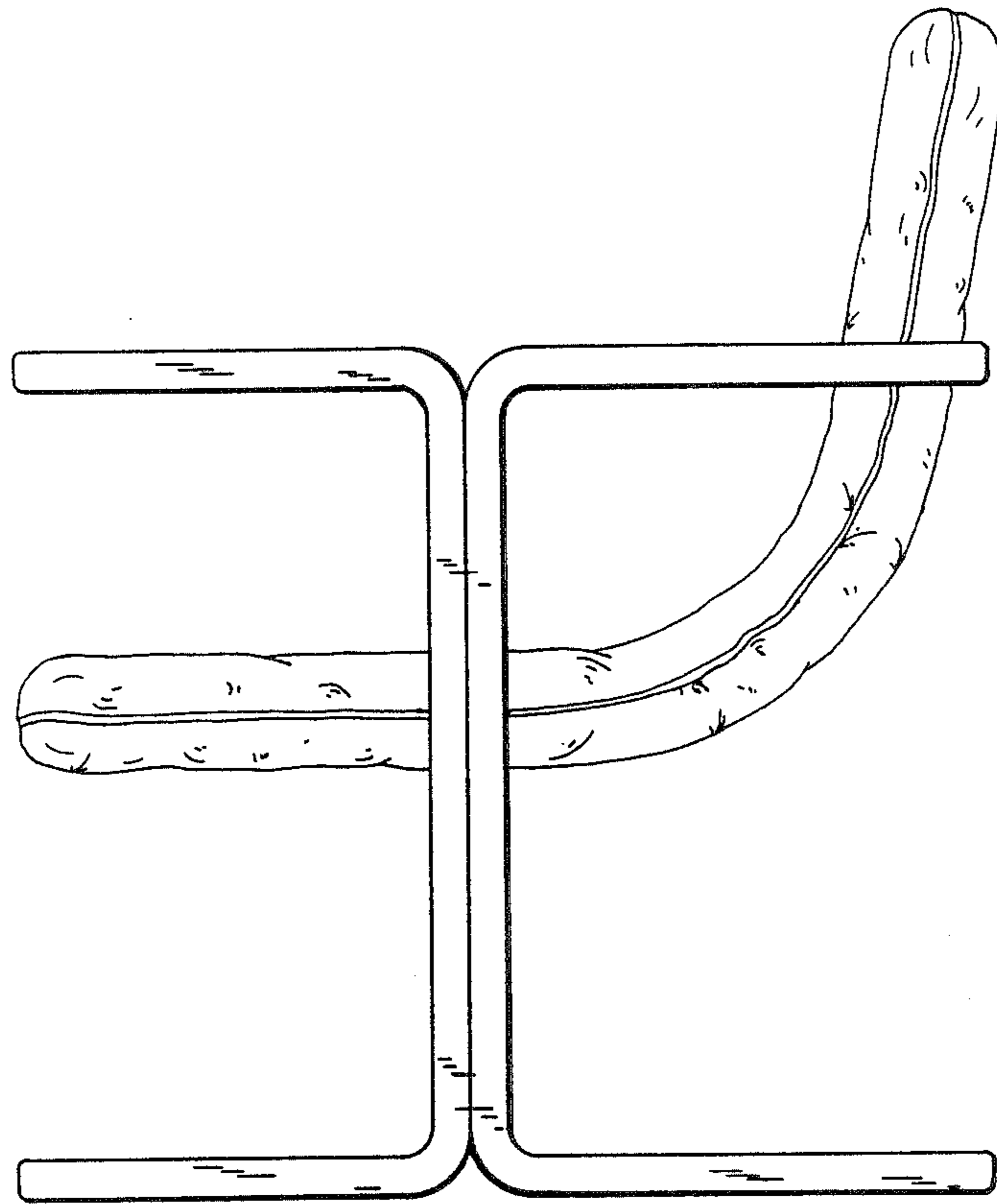


FIG. 1

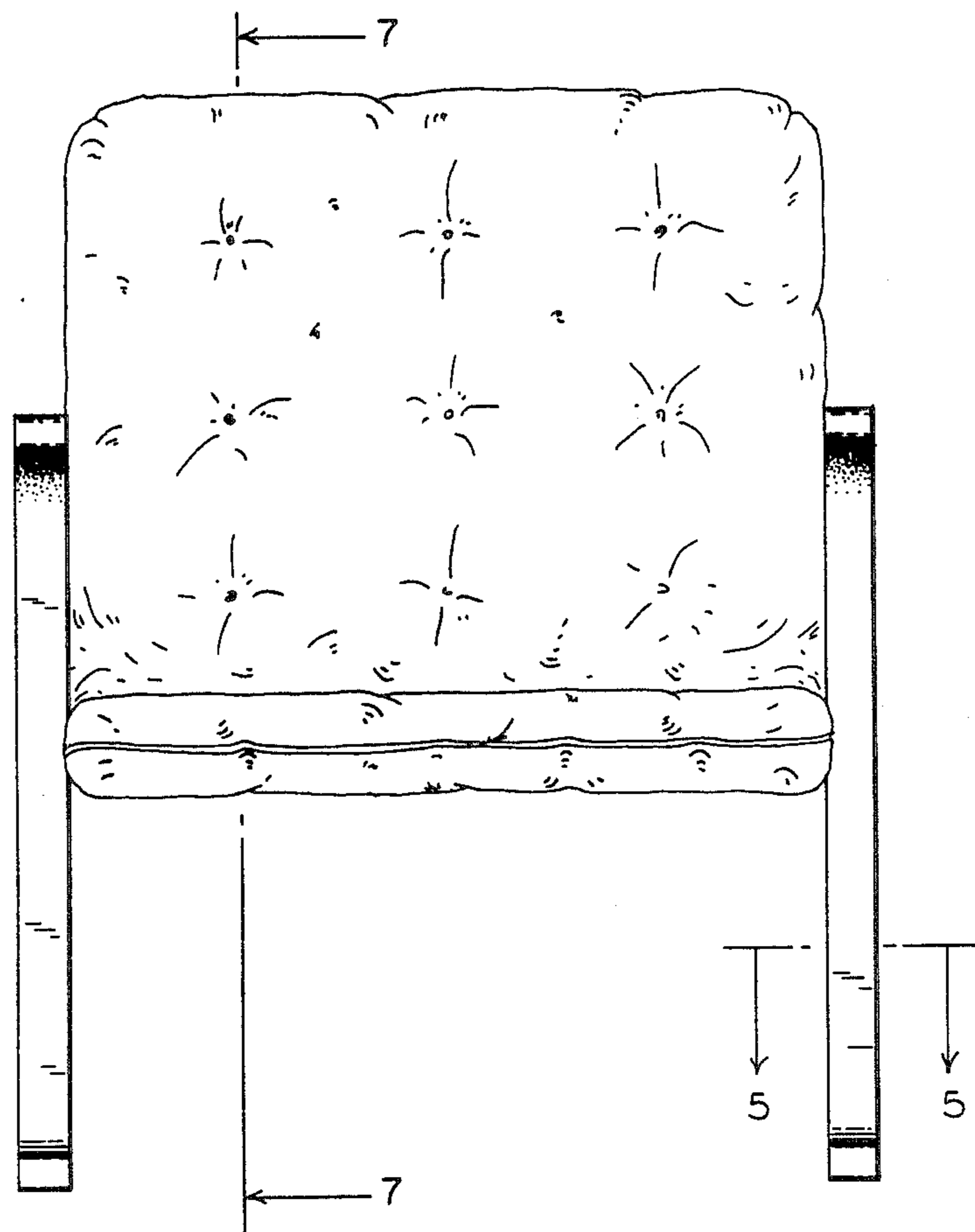


FIG. 2

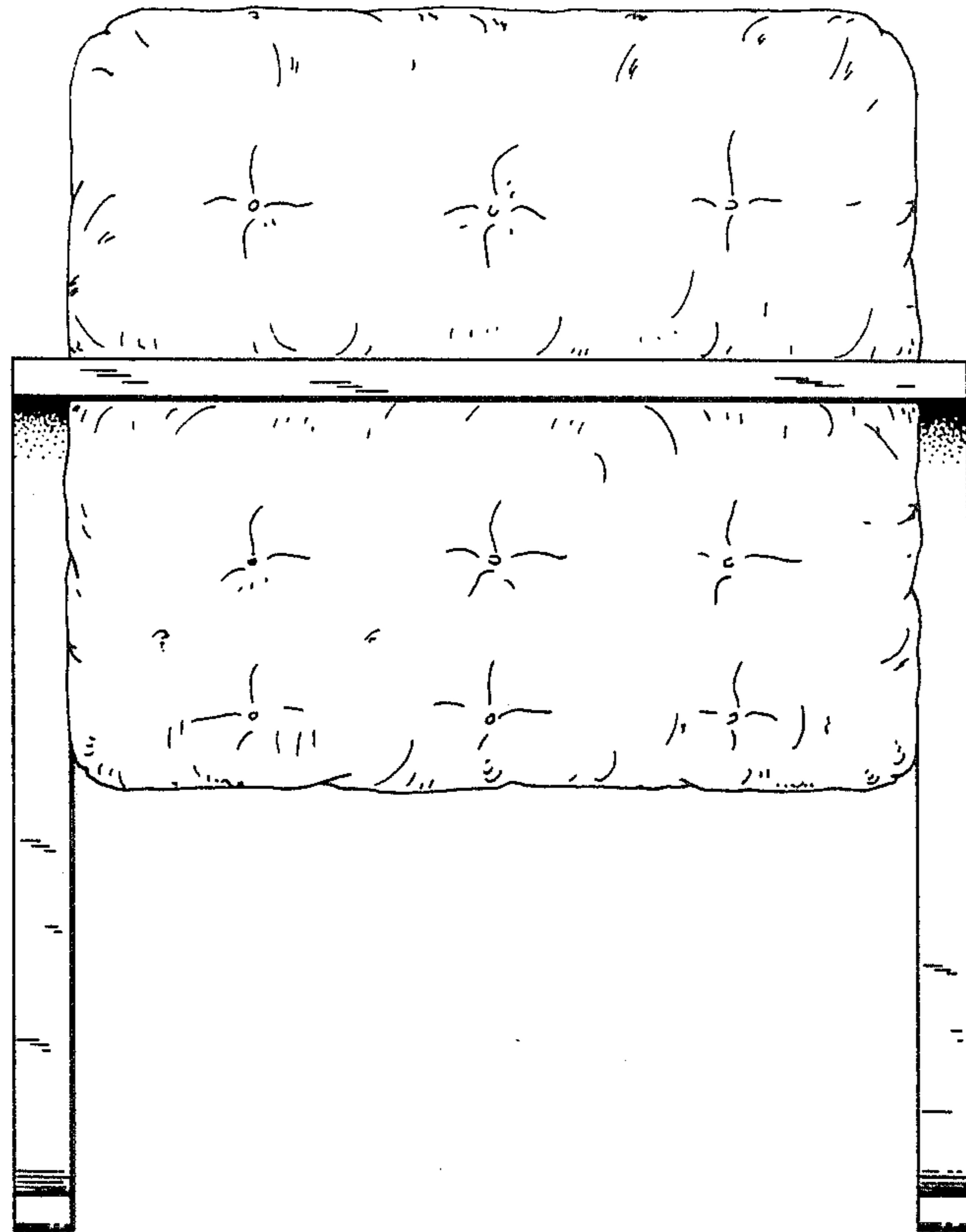


FIG. 3-

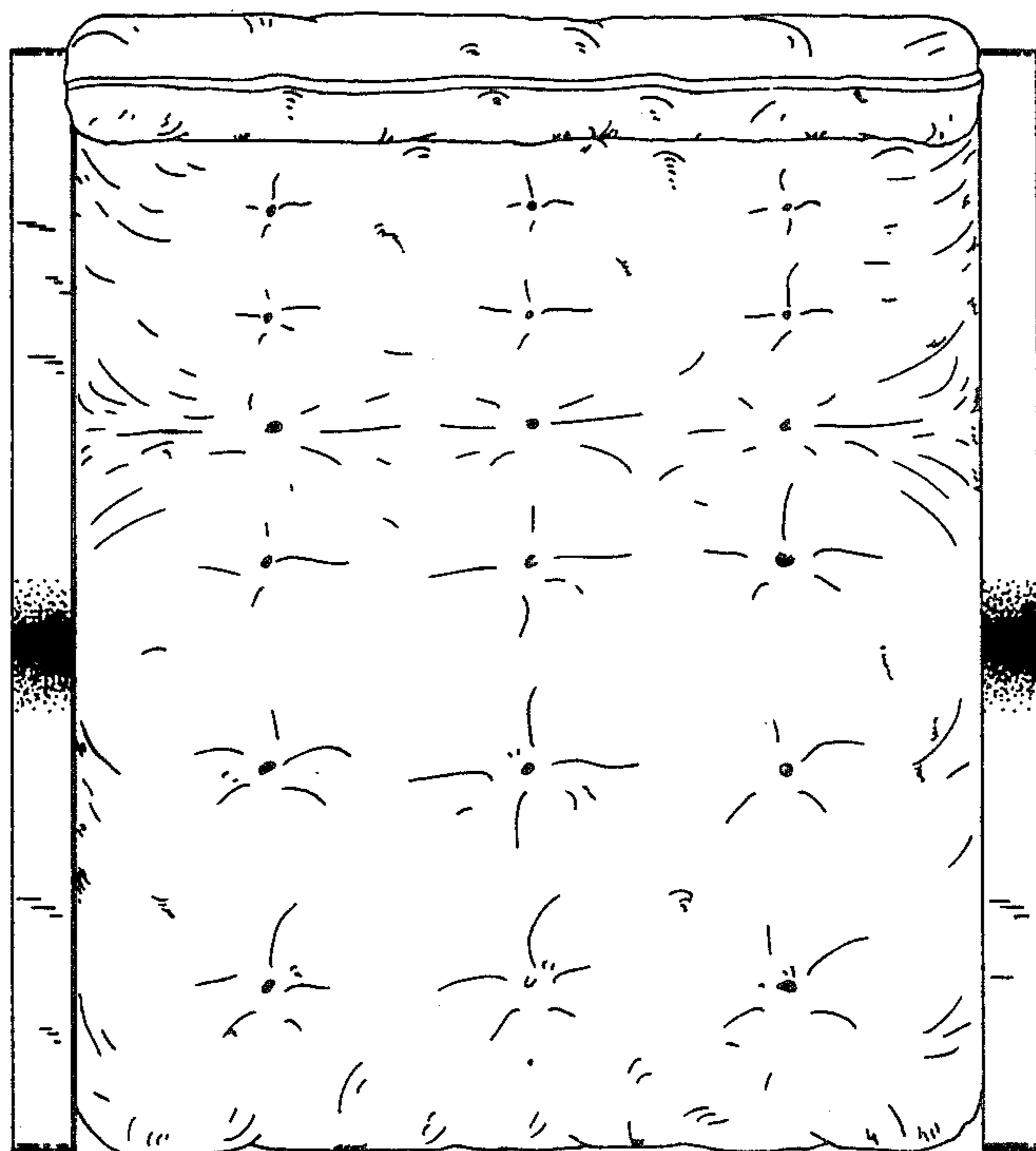
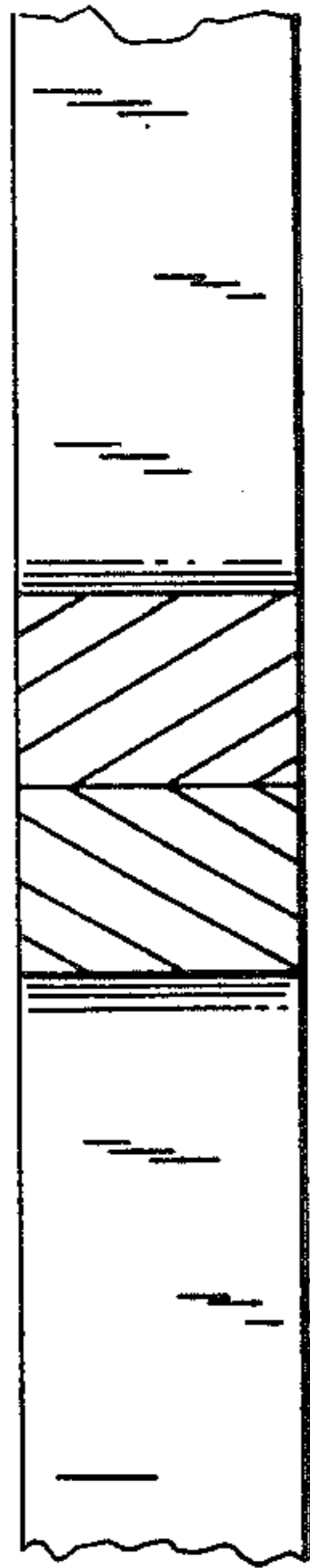


FIG. 4

FIG. 5



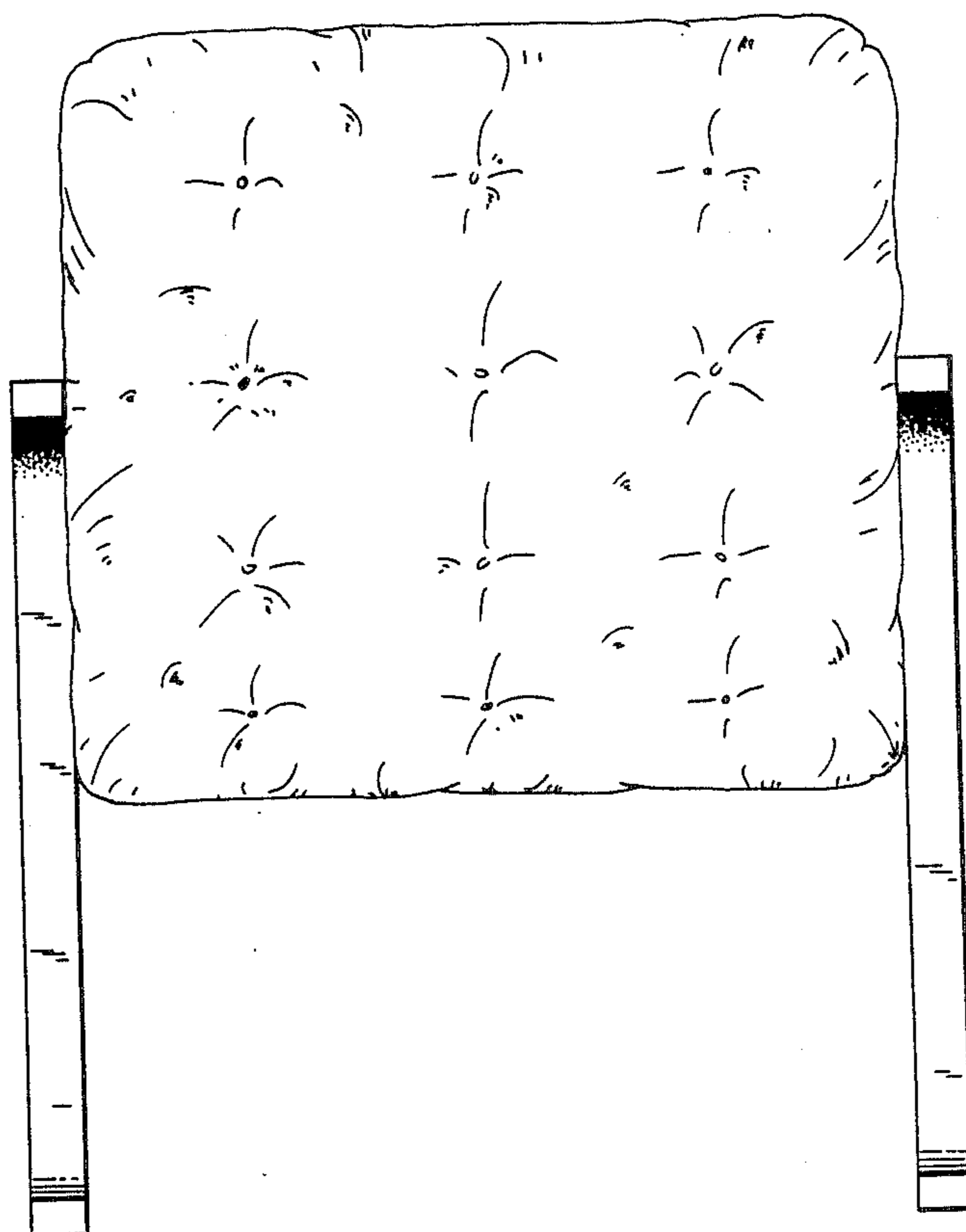


FIG. 6

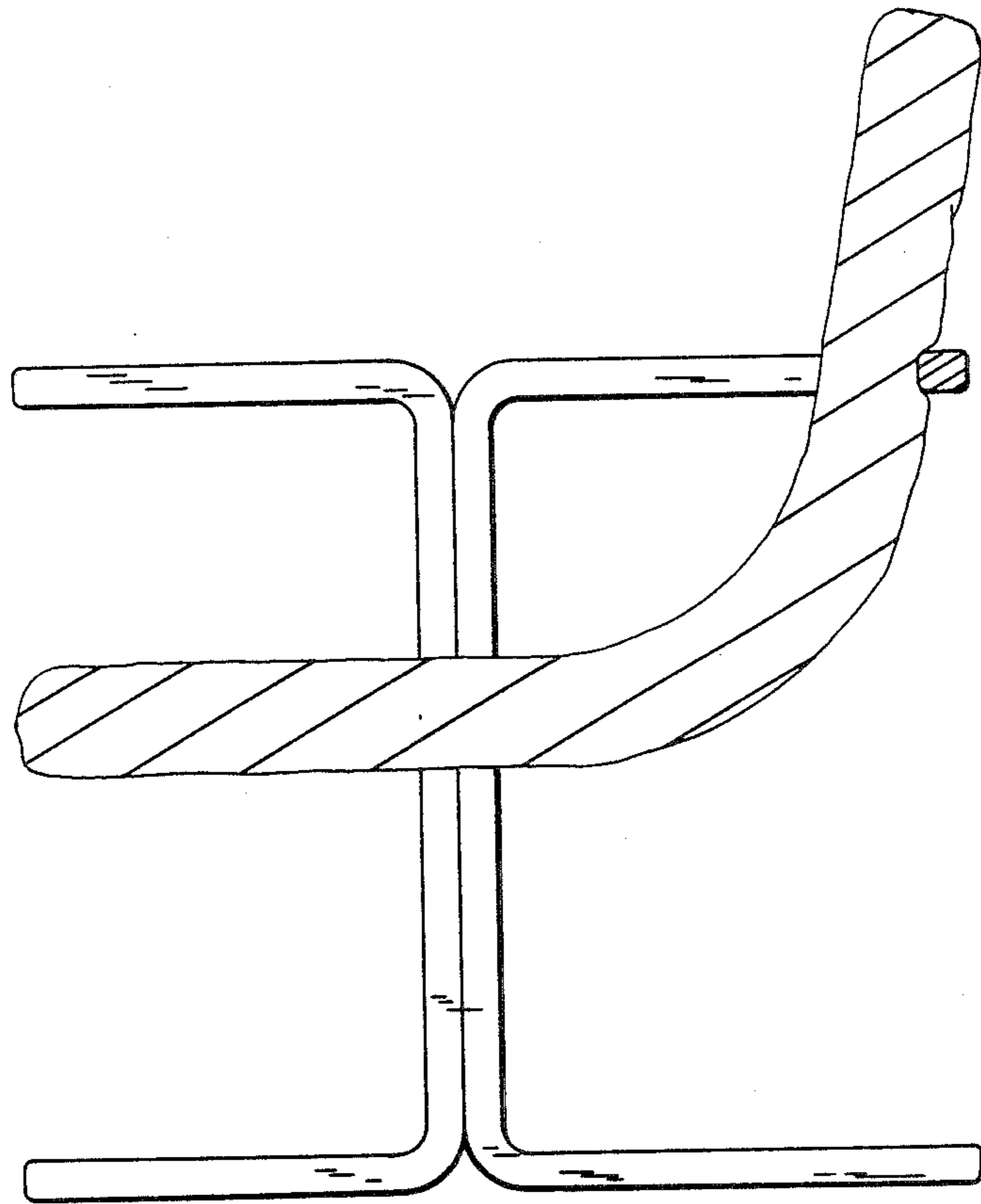


FIG. 7

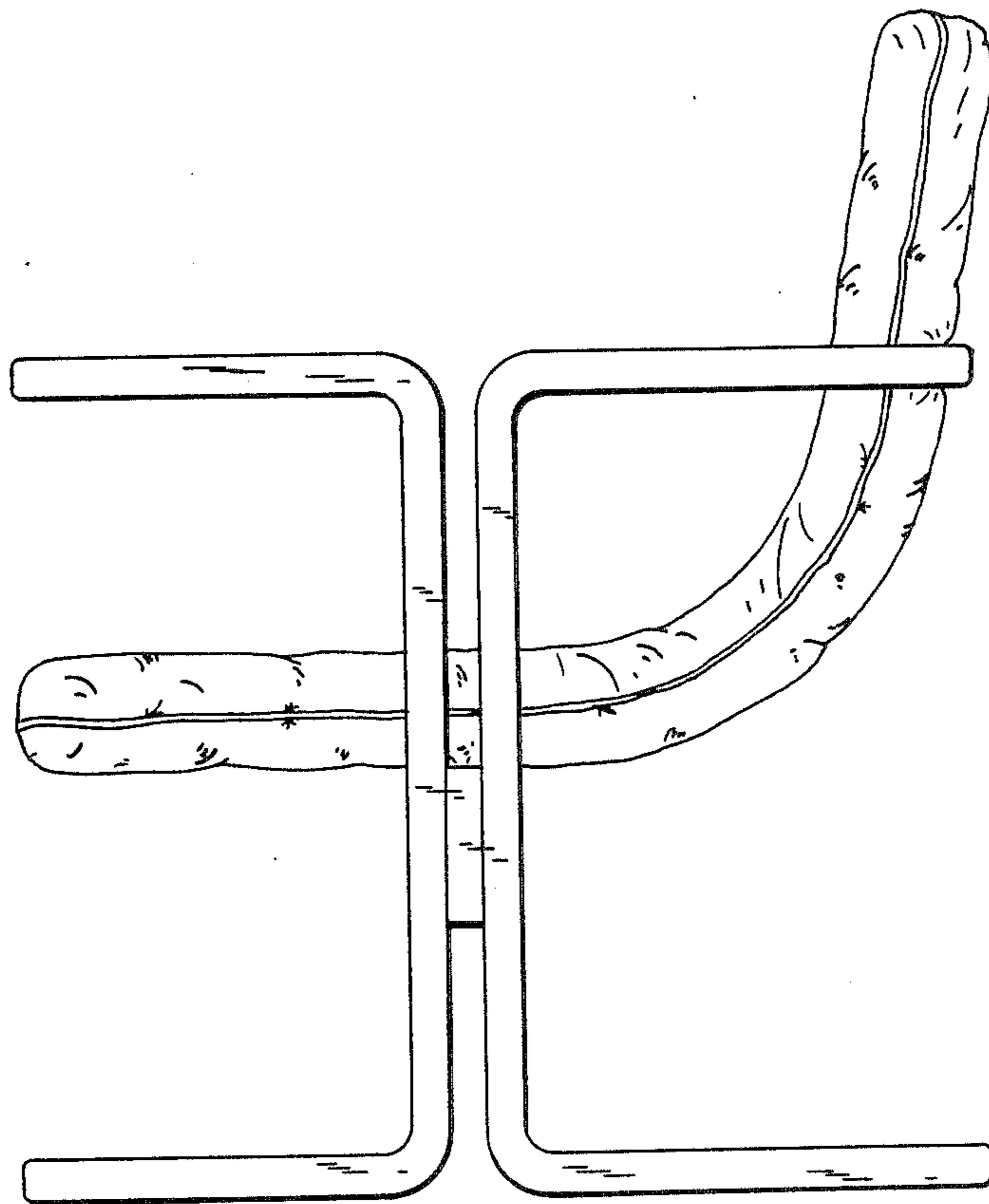


FIG. 8

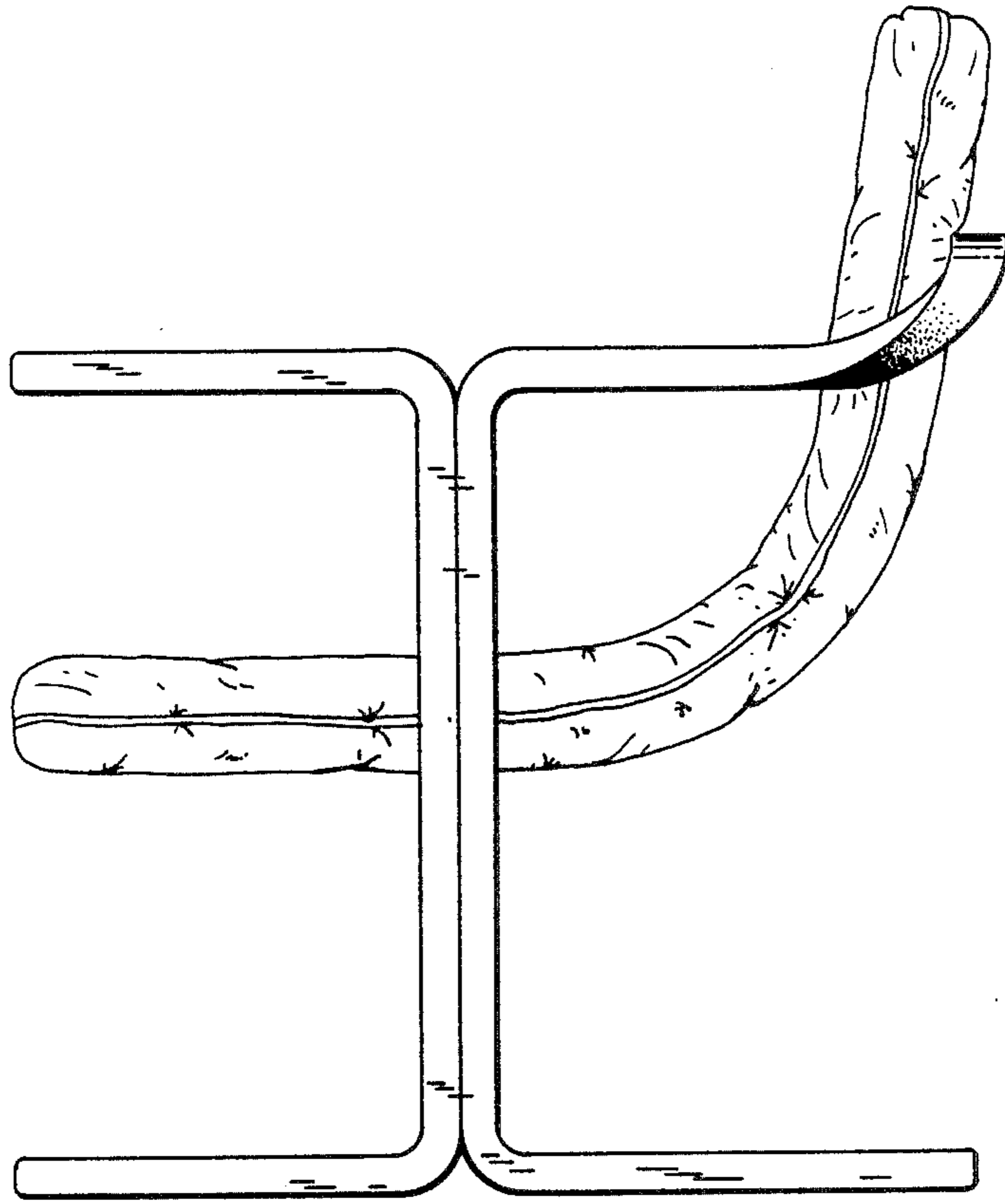


FIG. 9



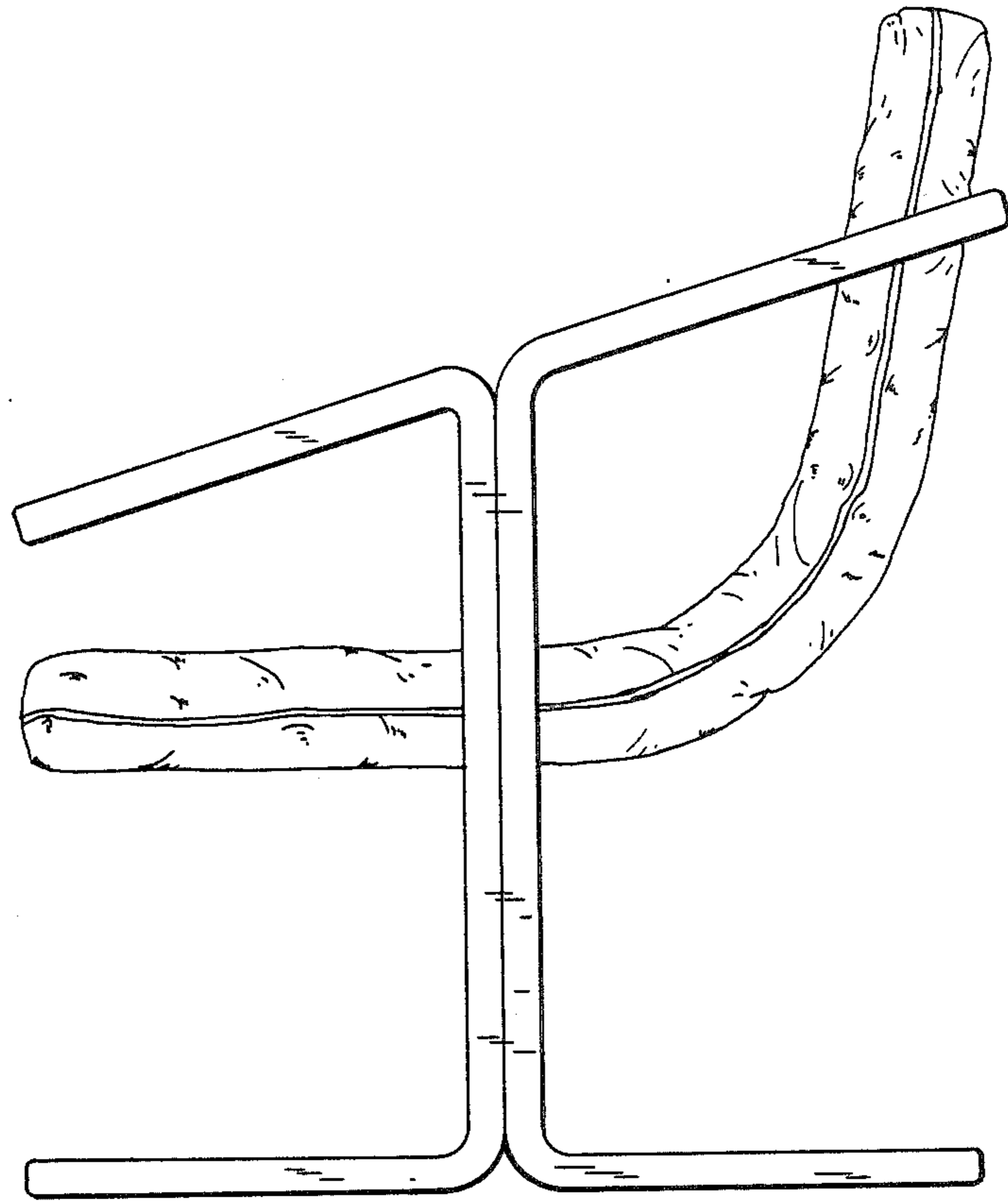


FIG. 10