

[54] COMBINED STICK INSERTER AND DISPLAY STAND FOR A FOOD PRODUCT

[76] Inventor: Edward D. Cottrell, 45 Gail Dr., Cattaraugus, N.Y. 14719

[**] Term: 14 Years

[21] Appl. No.: 704,431

[22] Filed: Jul. 12, 1976

[51] Int. Cl. D6-99; D20-02

[52] U.S. Cl. D6/25; D1/22

[58] Field of Search D6/20, 25, 181, 188, D6/23; D7/70, 129, 130; D1/22, 99

[56] References Cited

U.S. PATENT DOCUMENTS

D. 91,264 1/1934 Brigida D6/20

D. 98,371 1/1936 Sieve D6/20
D. 223,689 5/1972 Forbes D6/23
D. 232,280 8/1974 Bingham D6/146 X

Primary Examiner—Winifred E. Herrmann
Attorney, Agent, or Firm—Evelyn M. Sommer

[57] CLAIM

The ornamental design for a combined stick inserter and display stand for a food product, as shown.

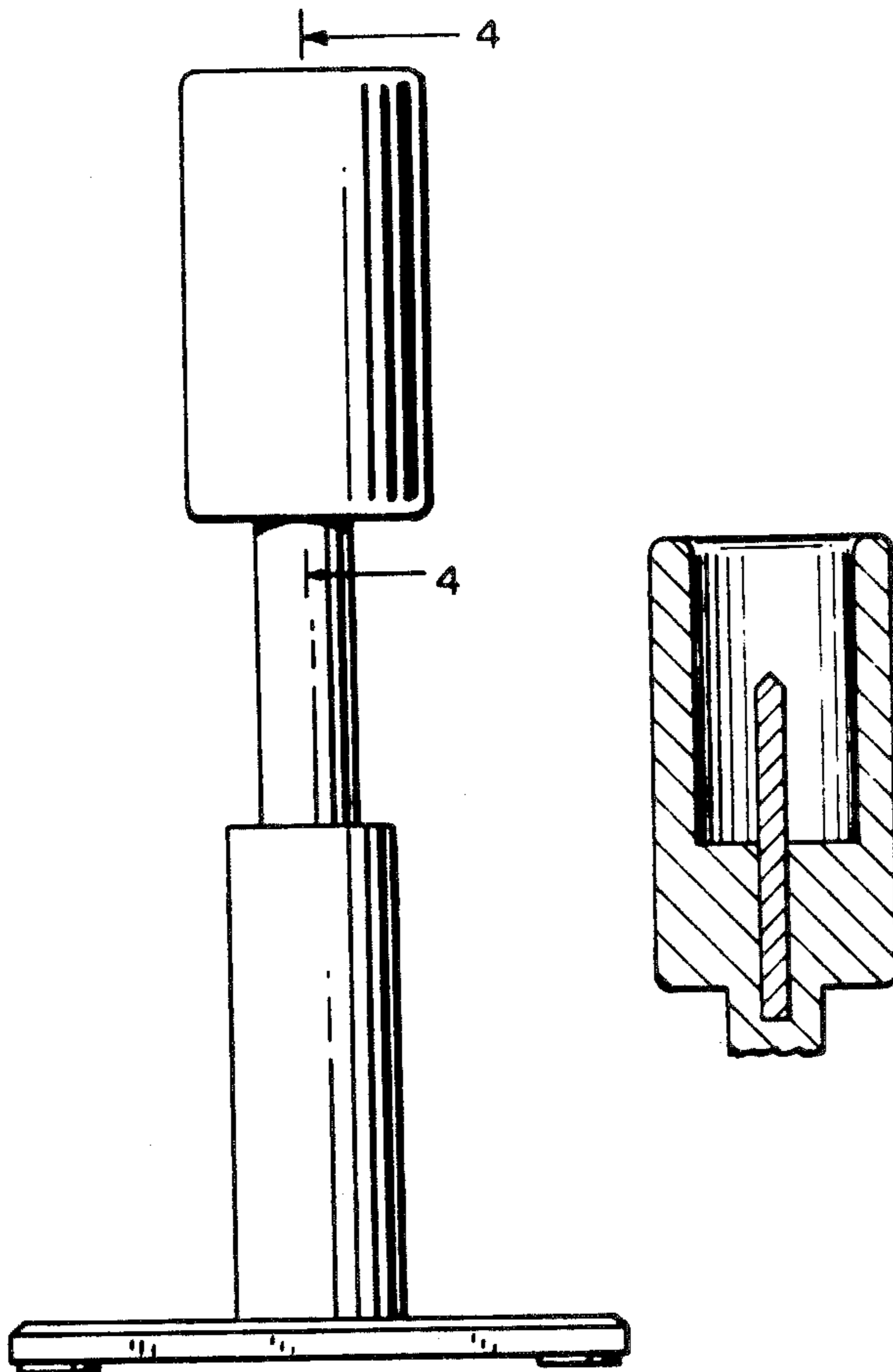
DESCRIPTION

FIG. 1 is an elevational view of a combined stick inserter and display stand for a food product showing my new design;

FIG. 2 is a top plan view thereof;

FIG. 3 is a bottom plan view thereof; and

FIG. 4 is a fragmentary cross-sectional view thereof taken on line 4—4 of FIG. 1.



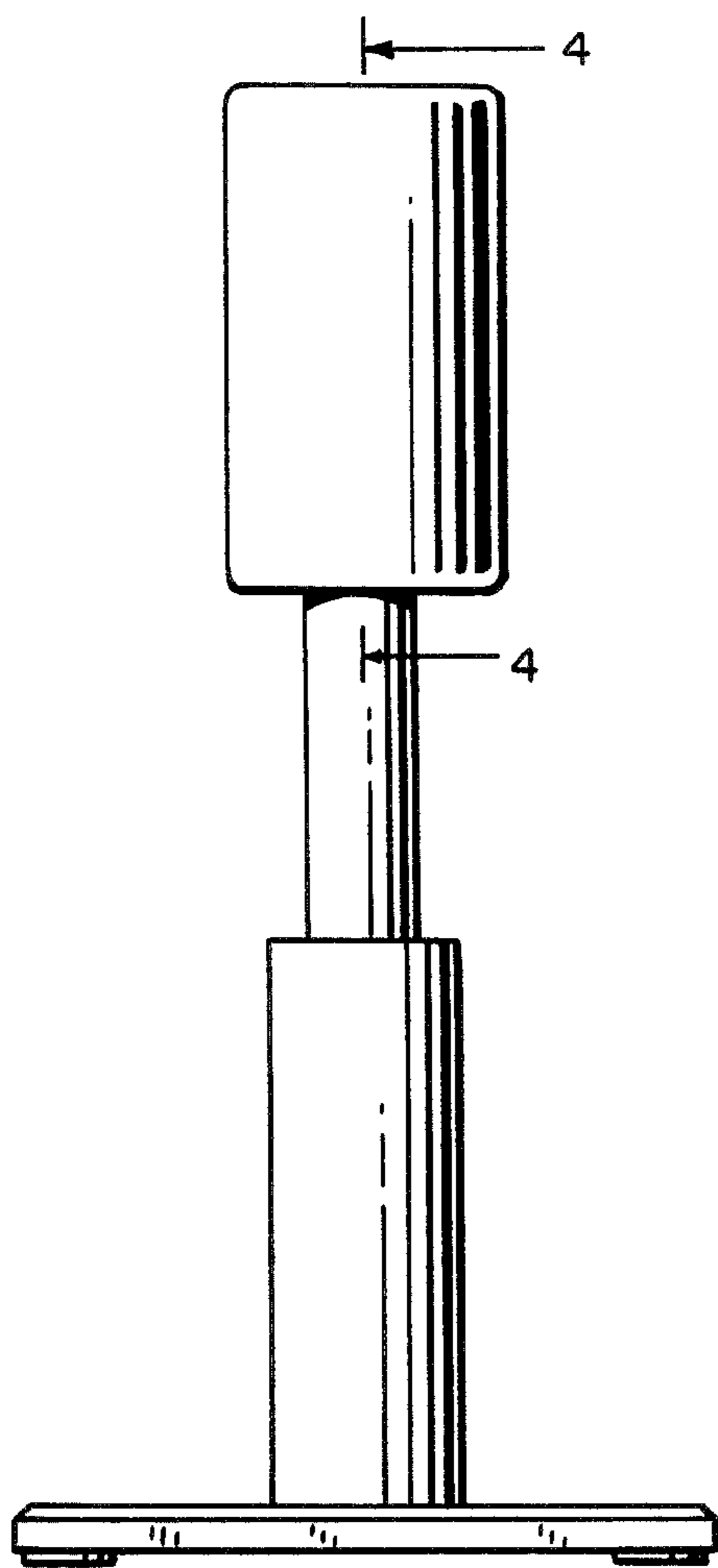


FIG. 1

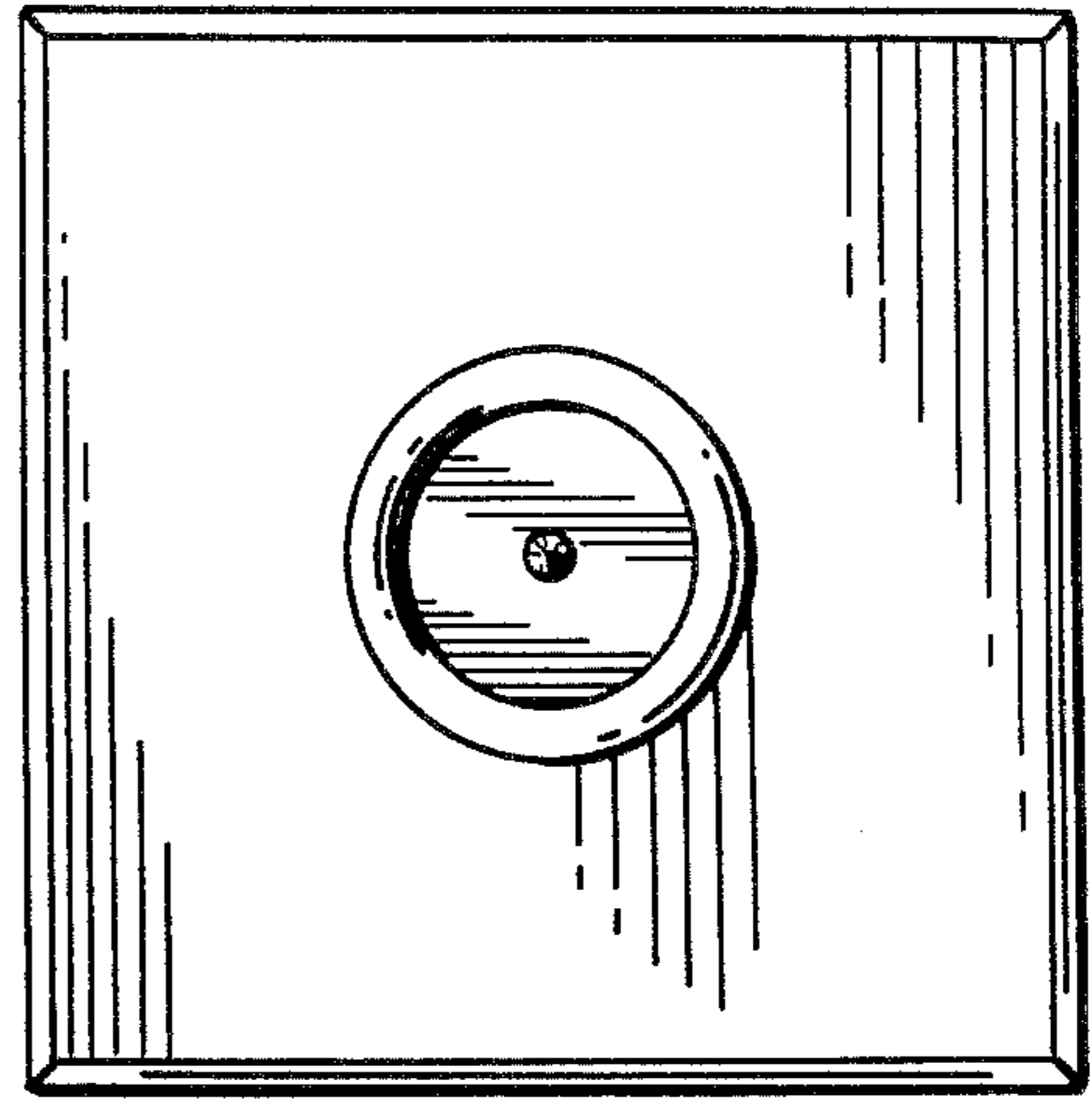


FIG. 2

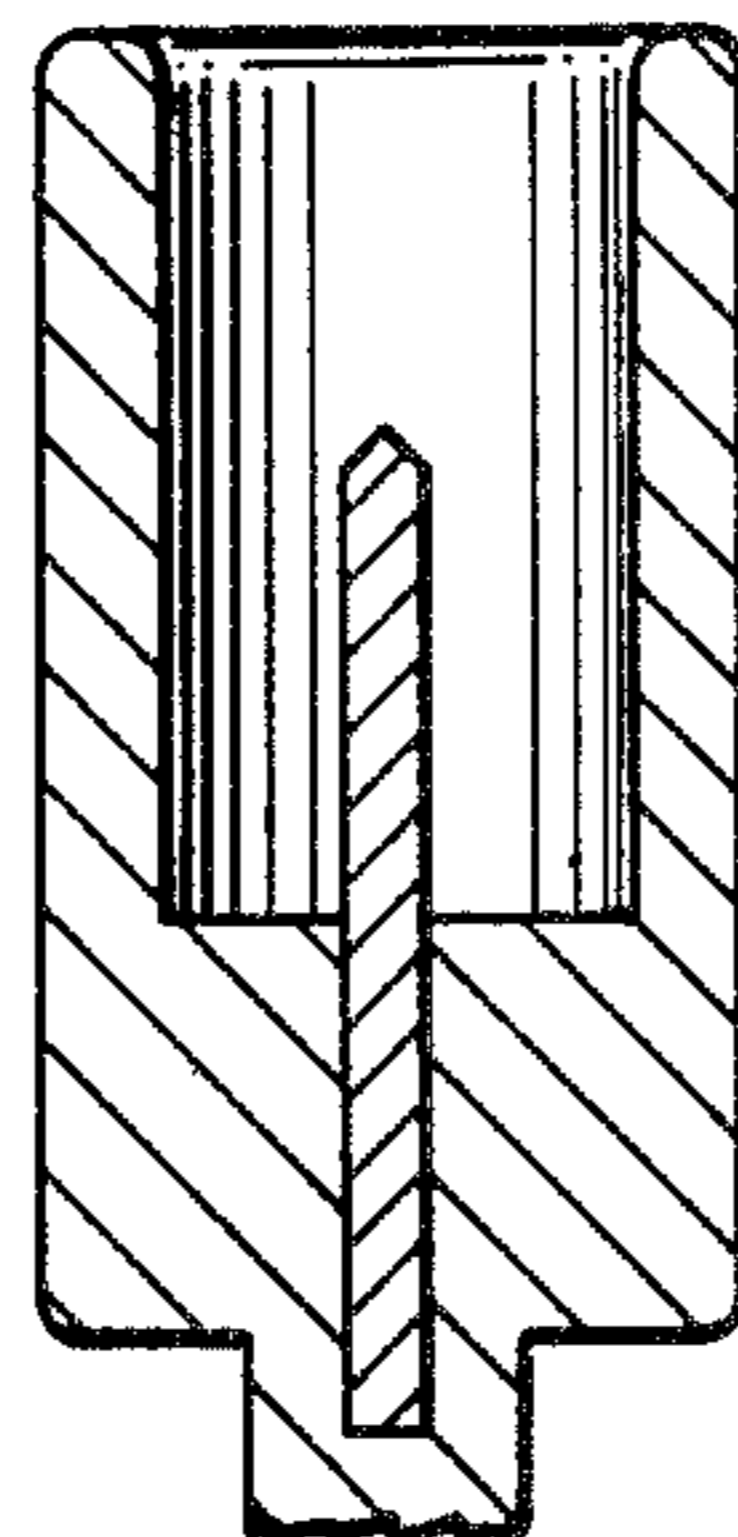


FIG. 4

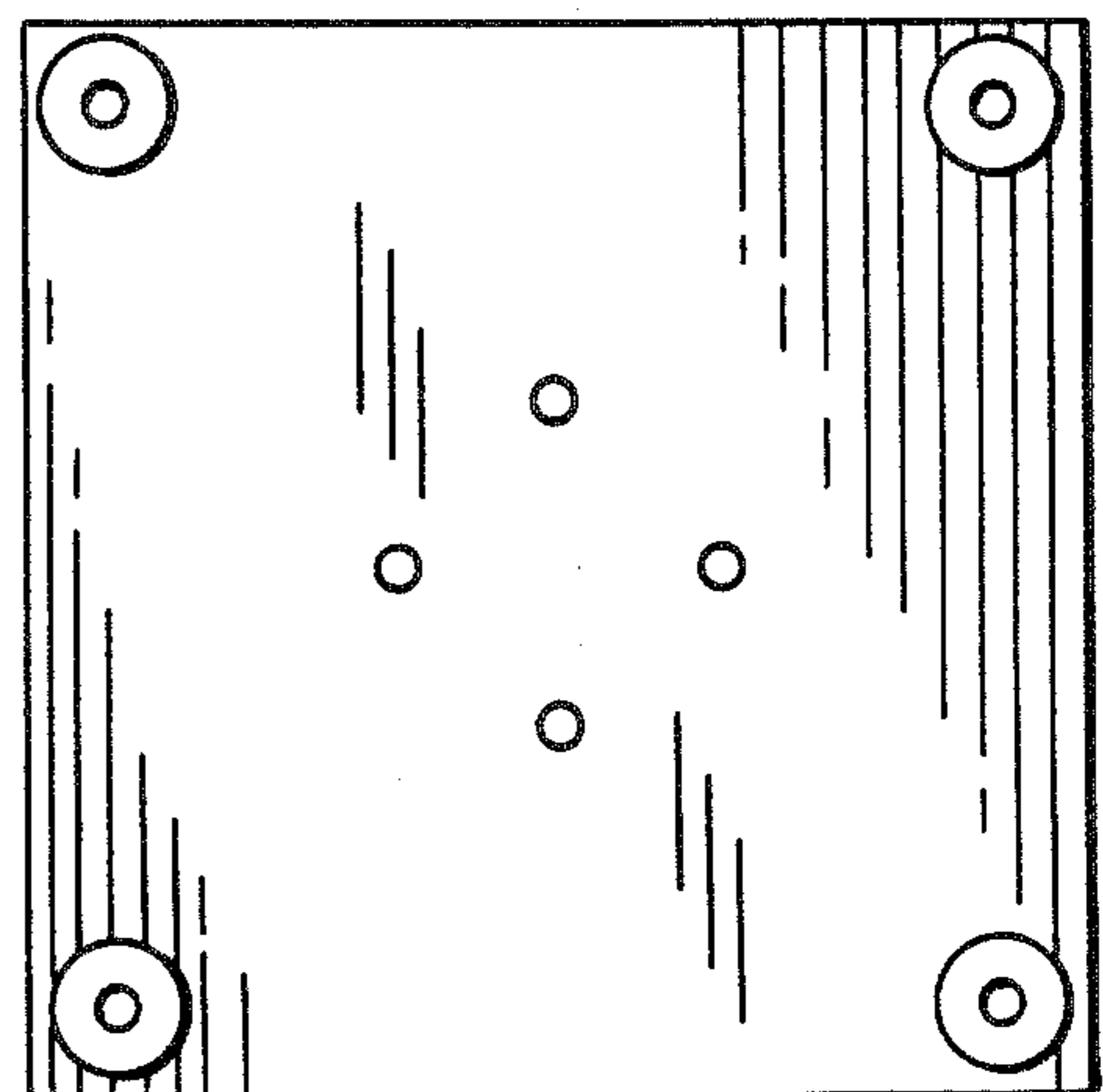


FIG. 3