

[54] **COMBINED STICK INSERTER AND DISPLAY STAND FOR A FOOD PRODUCT**

[76] Inventor: **Edward D. Cottrell, 45 Gail Dr., Cattaraugus, N.Y. 14719**

[**] Term: **14 Years**

[21] Appl. No.: **704,346**

[22] Filed: **Jul. 12, 1976**

[51] Int. Cl. **D6-99; D20-02**

[52] U.S. Cl. **D6/25; D1/22**

[58] Field of Search **D6/20, 25, 181, 188, D6/23; D7/70, 129, 130; D1/22, 99**

[56] **References Cited**

U.S. PATENT DOCUMENTS

D. 35,394 12/1901 Seaman D6/20

D. 91,264	1/1934	Brigida	D6/20
D. 98,371	1/1936	Sieve	D6/20
D. 223,689	5/1972	Forbes	D6/23

Primary Examiner—Winifred E. Herrmann
Attorney, Agent, or Firm—Evelyn M. Sommer

[57] **CLAIM**

The ornamental design for a combined stick inserter and display stand for a food product, as shown.

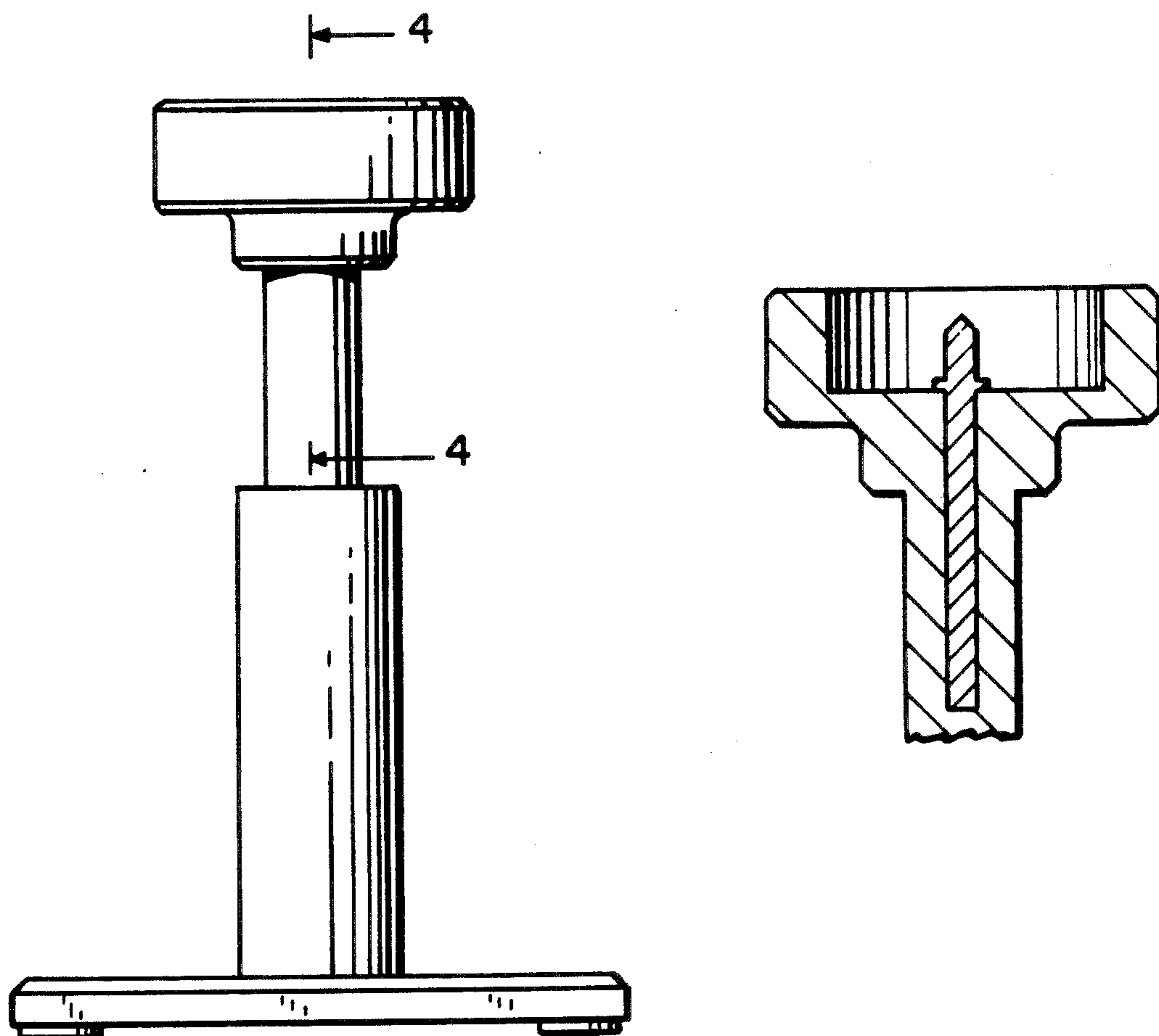
DESCRIPTION

FIG. 1 is an elevational view of a combined stick inserter and display stand for a food product showing my new design;

FIG. 2 is a top plan view thereof;

FIG. 3 is a bottom plan view thereof; and

FIG. 4 is a fragmentary cross-sectional view thereof taken on line 4-4 of FIG. 1.



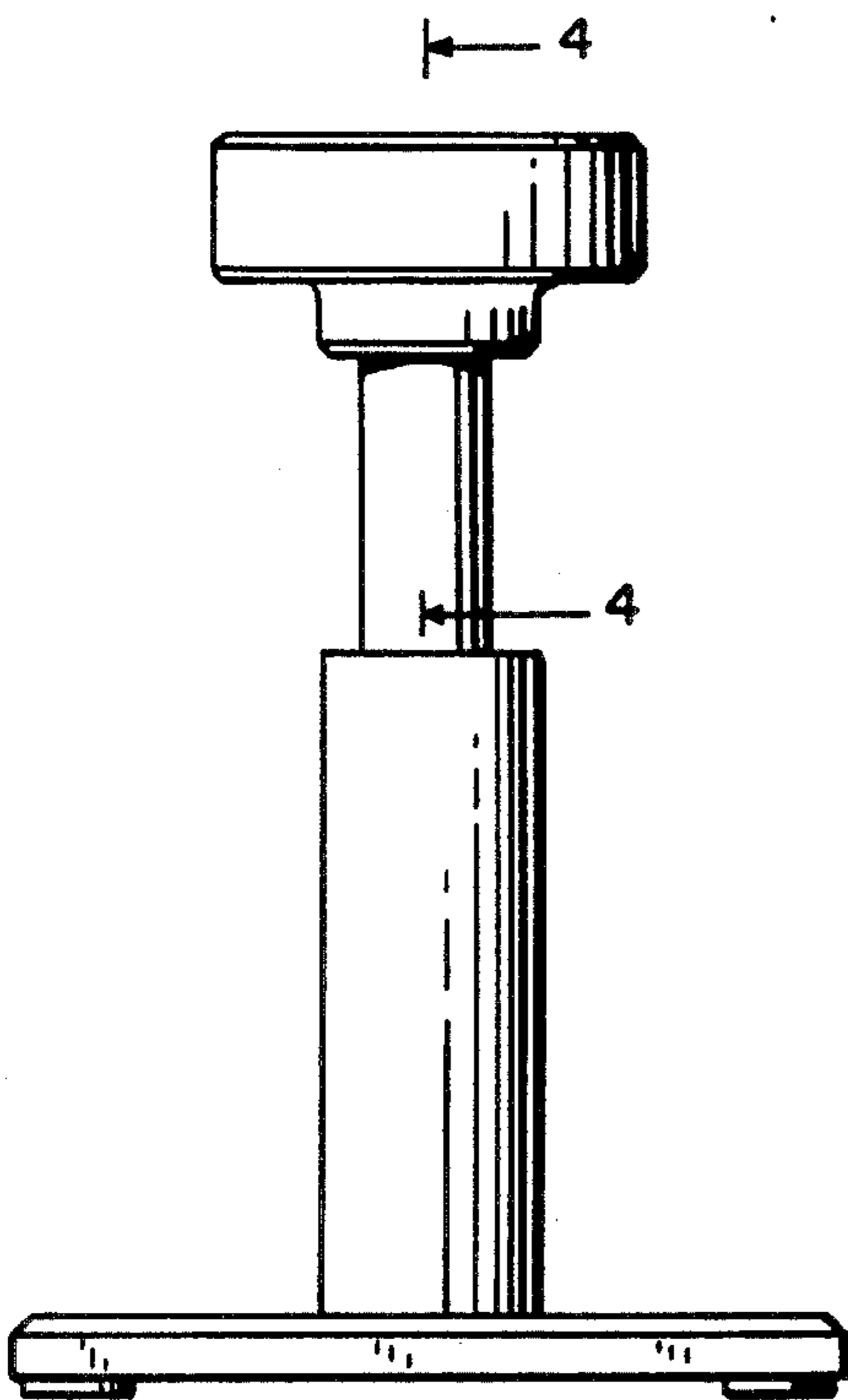


FIG. 1

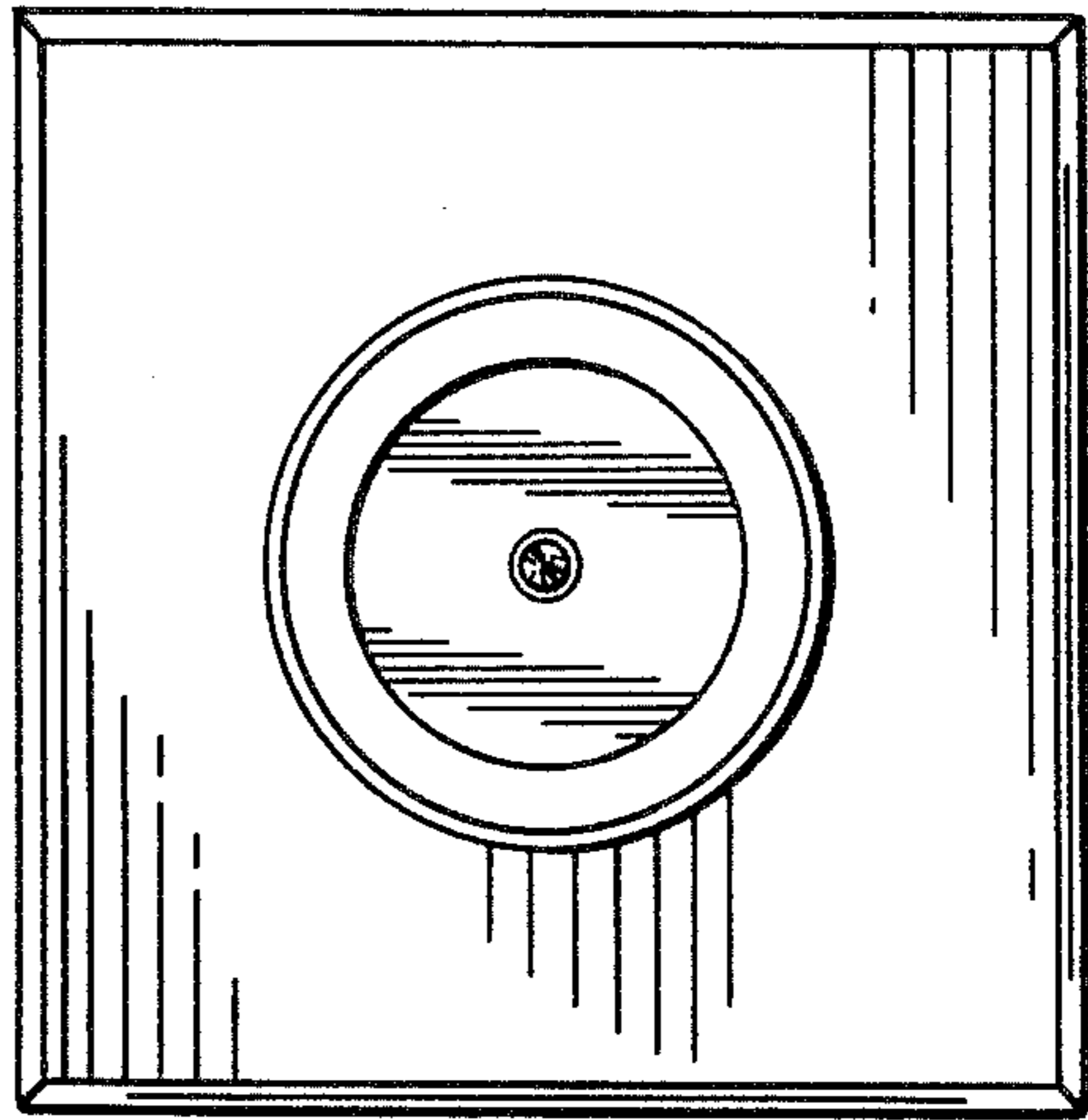


FIG. 2

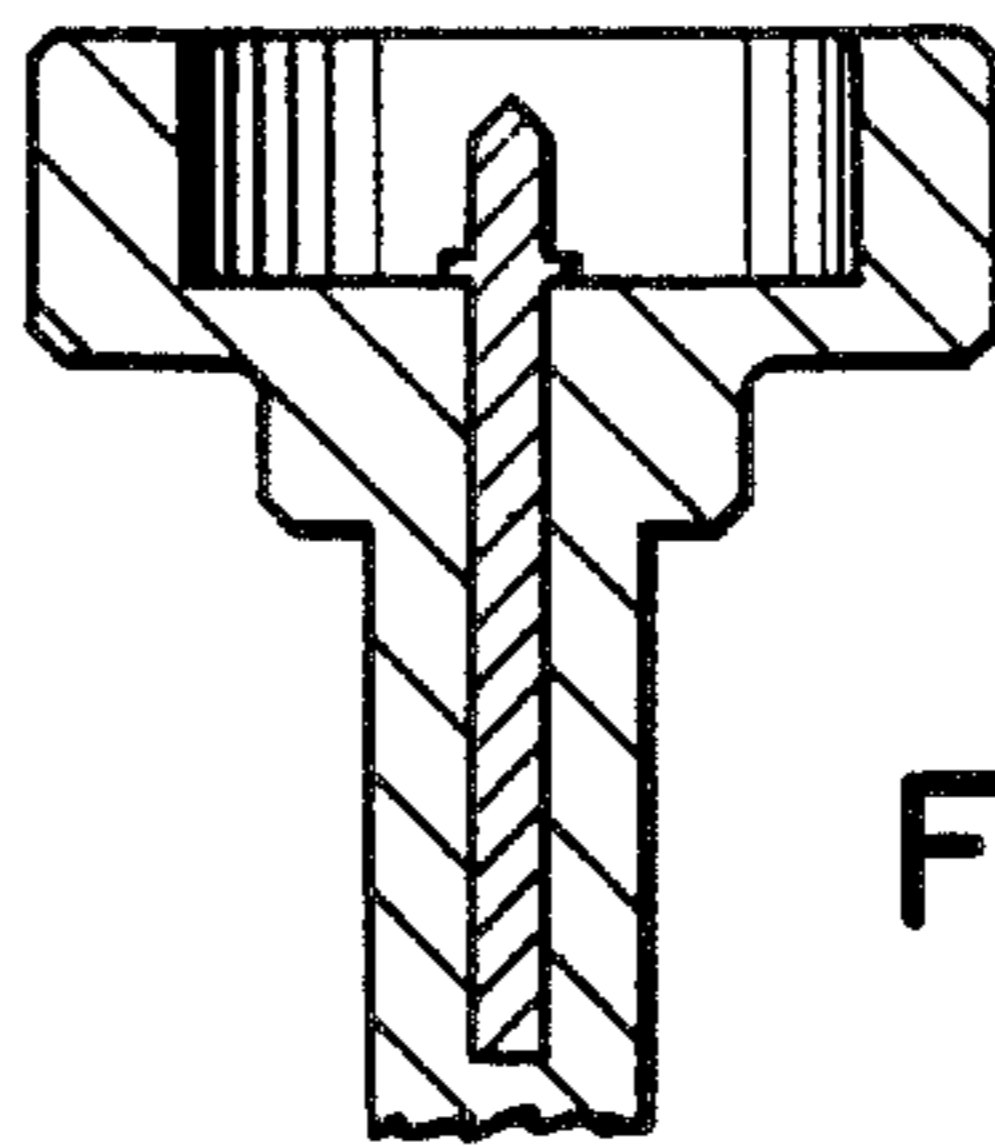


FIG. 4

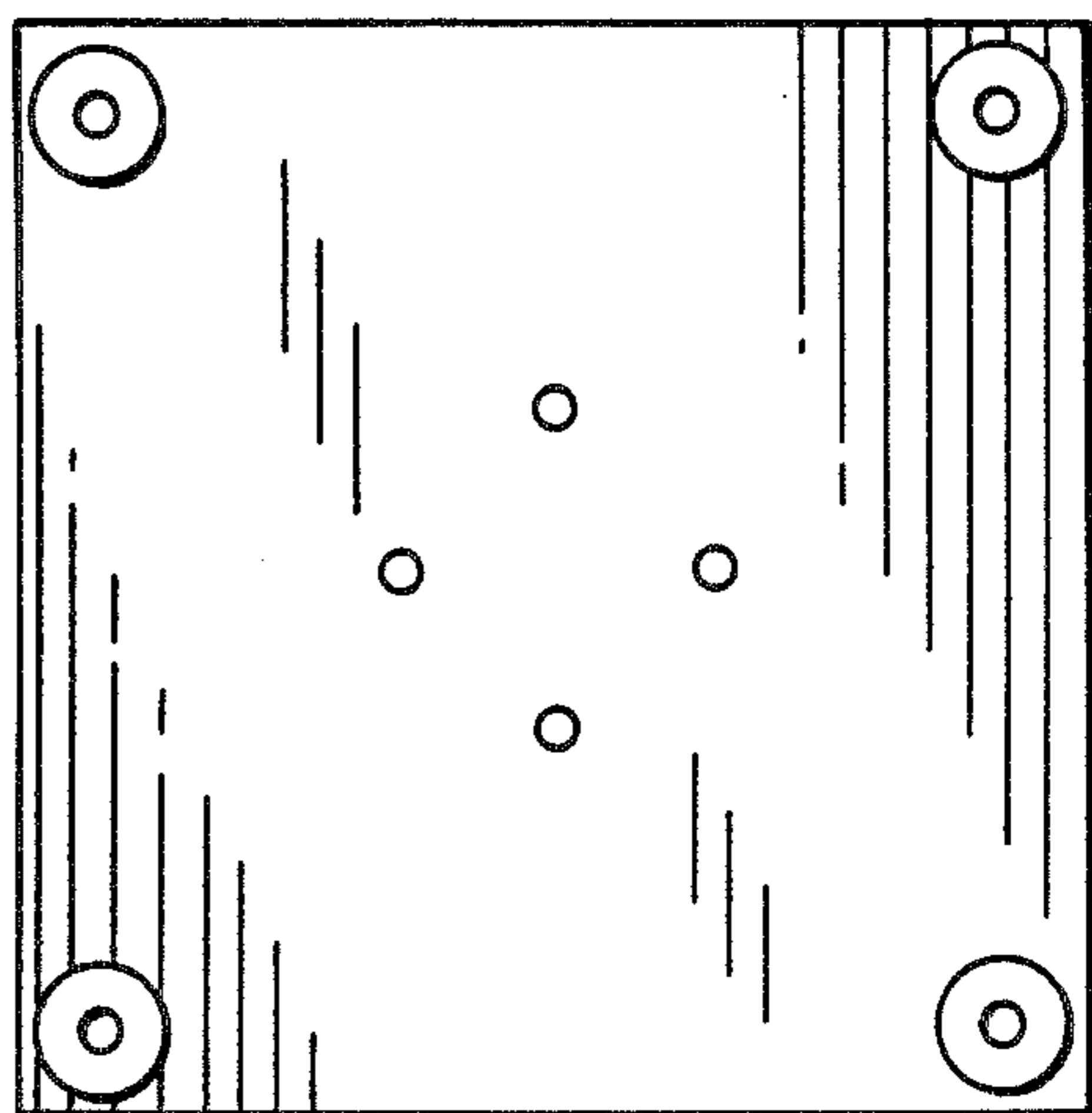


FIG. 3