

[54] TOY MOTORCYCLE

[75] Inventor: Michael C. Cartabiano, Seekonk, Mass.

[73] Assignee: Child Guidance Playthings, Inc., New York, N.Y.

[**] Term: 14 Years

[21] Appl. No.: 761,708

[22] Filed: Jan. 24, 1977

[51] Int. Cl. D21-01

[52] U.S. Cl. D34/15 AN; D34/15 AJ

[58] Field of Search D34/15 AJ, 15 AN, 15 AM, D34/15 AT; D12/107, 108, 110; 280/87.01, 1.1 R; 46/201, 202, 206, 210, 222

[56] References Cited

U.S. PATENT DOCUMENTS

D. 52,694 11/1918 Booth D34/15 AJ

OTHER PUBLICATIONS

Toys - 2-1976 - p. 231, Toy Motorcycle near center of page.

Playthings - 11-1976, p. 59, Fonz Cycle.

Primary Examiner—Joel Stearman

Assistant Examiner—C. A. Rademaker

Attorney, Agent, or Firm—Arthur H. Seidel

[57] CLAIM

The ornamental design for a toy motorcycle, as shown and described.

DESCRIPTION

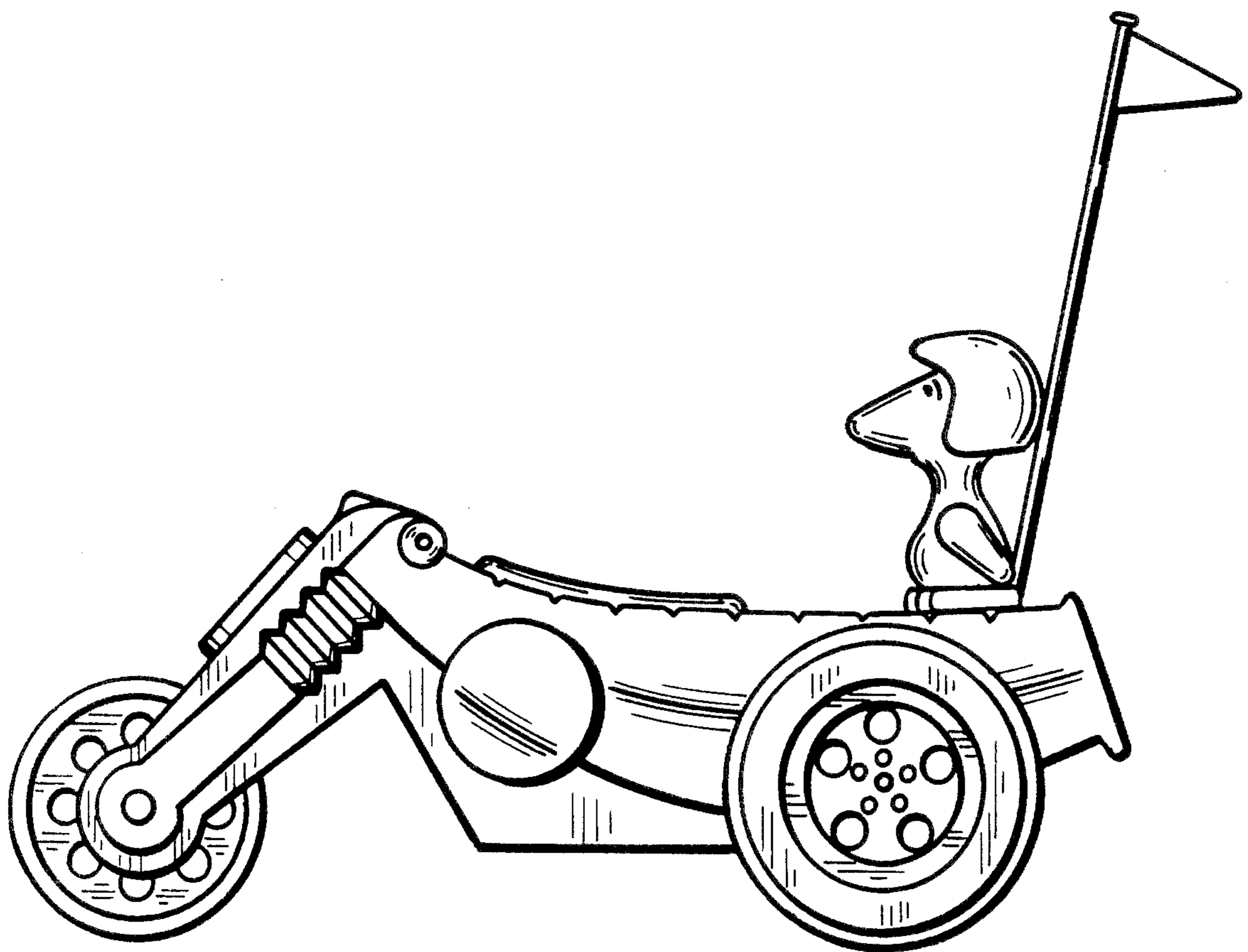
FIG. 1 is a side elevational view of a toy motorcycle showing my new design;

FIG. 2 is a front elevational view thereof;

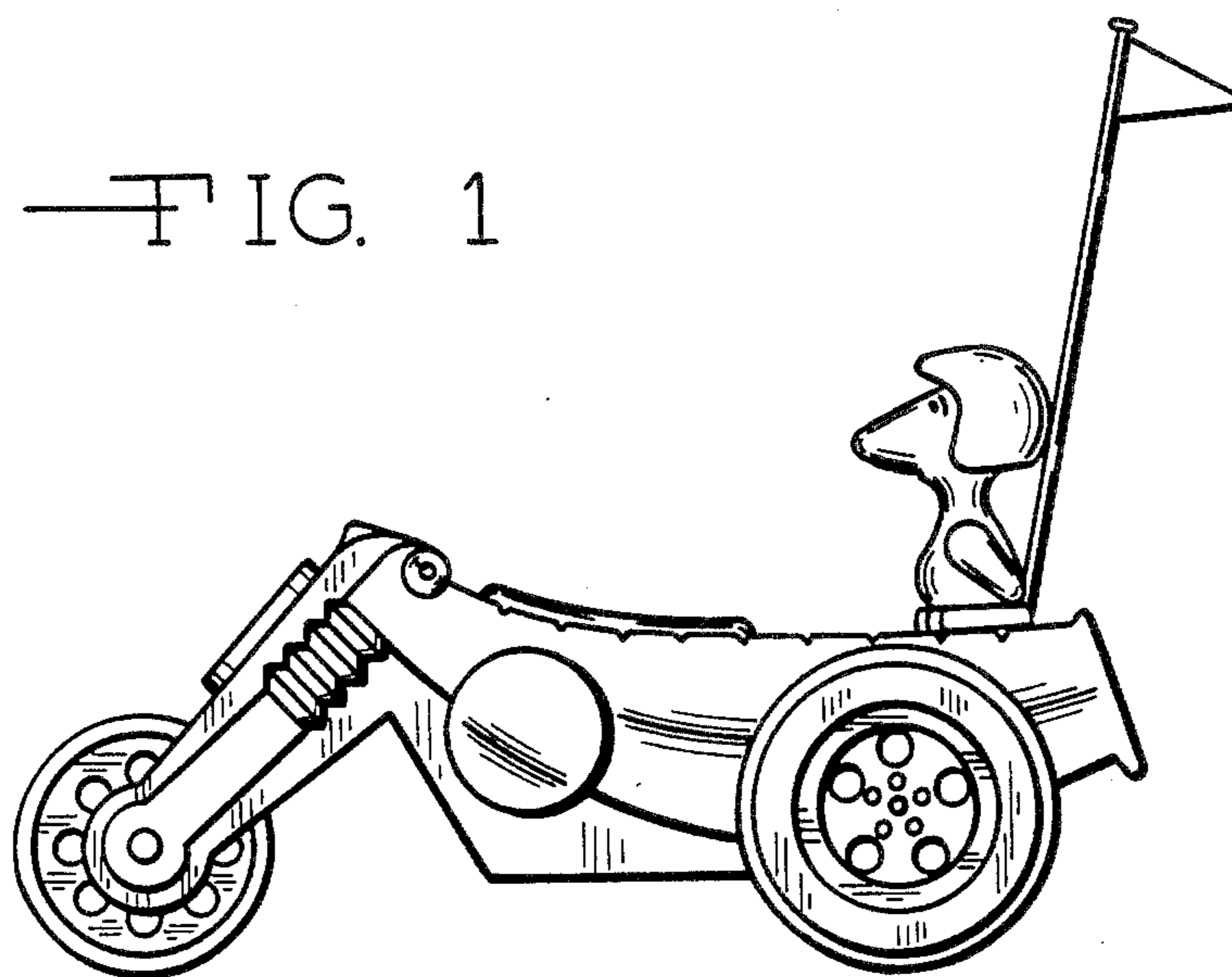
FIG. 3 is a rear elevational view thereof;

FIG. 4 is a top plan view thereof; and

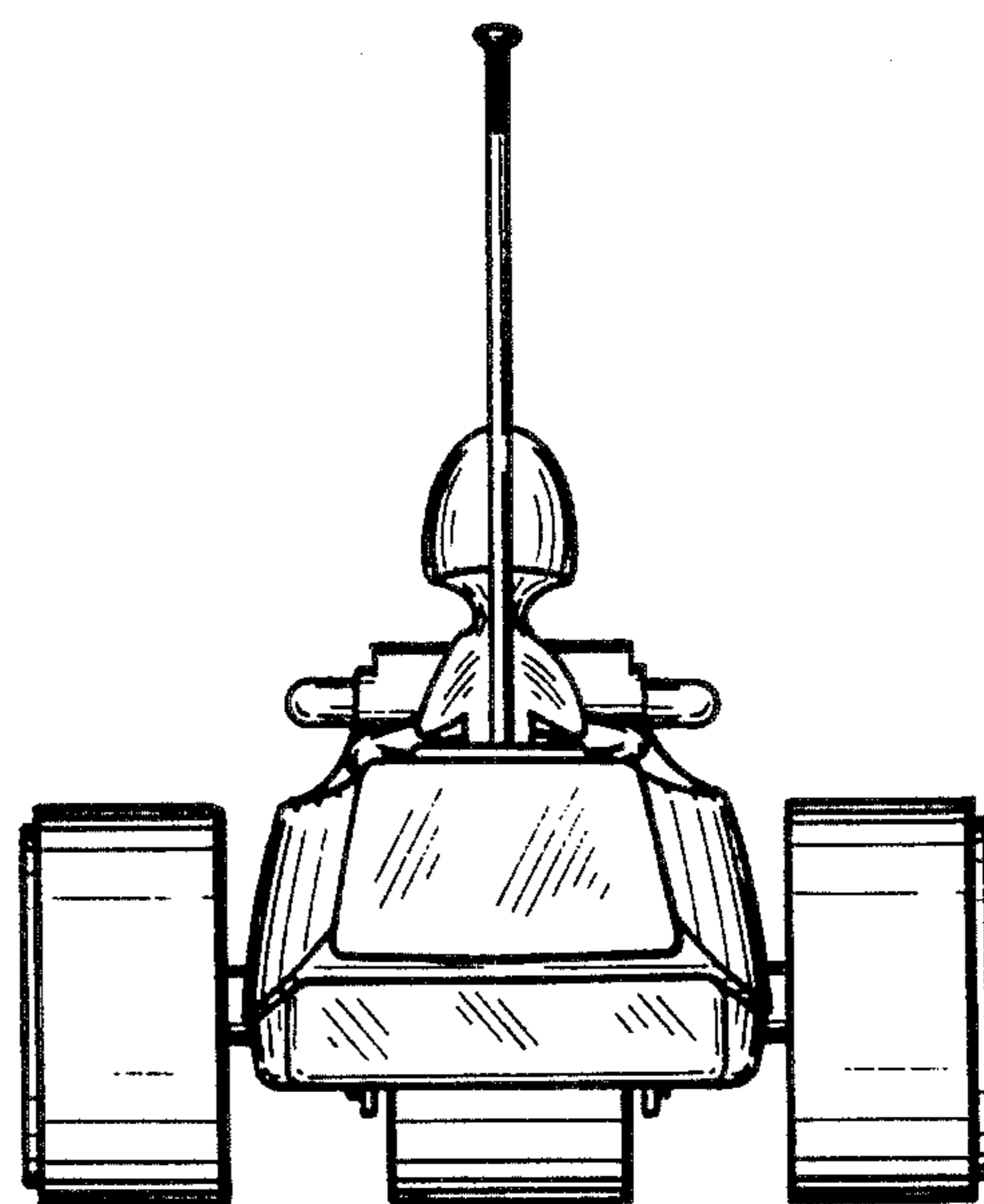
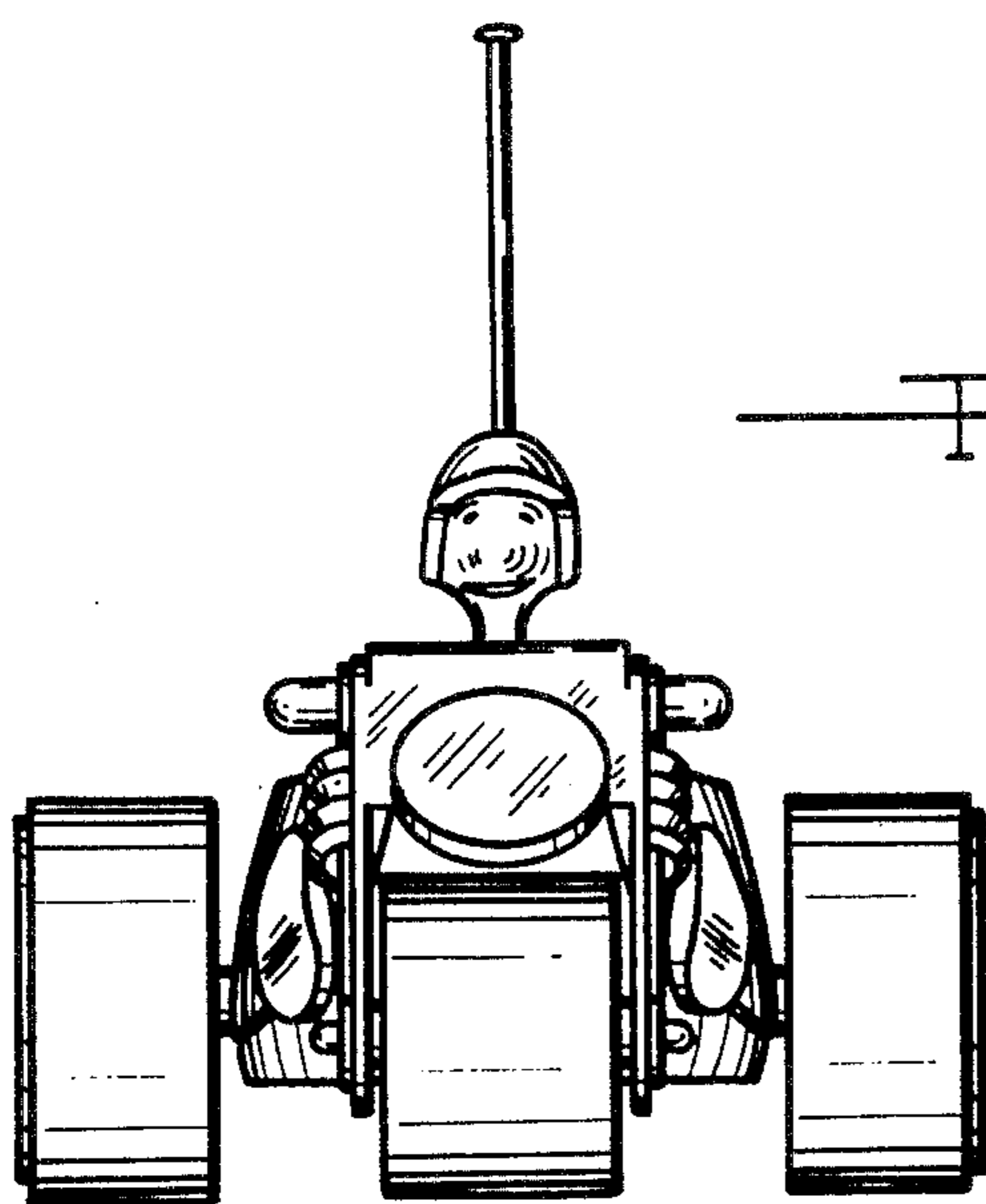
FIG. 5 is a bottom plan view thereof.



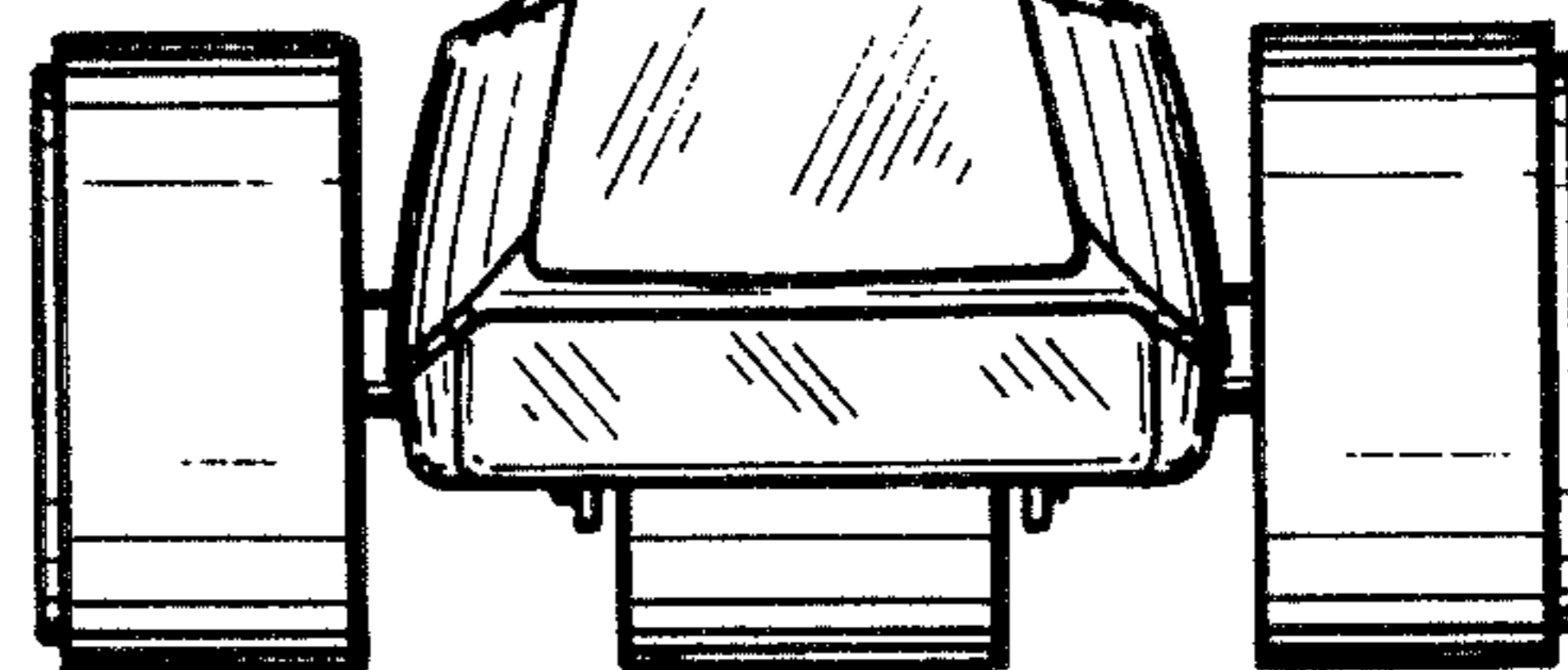
—FIG. 1

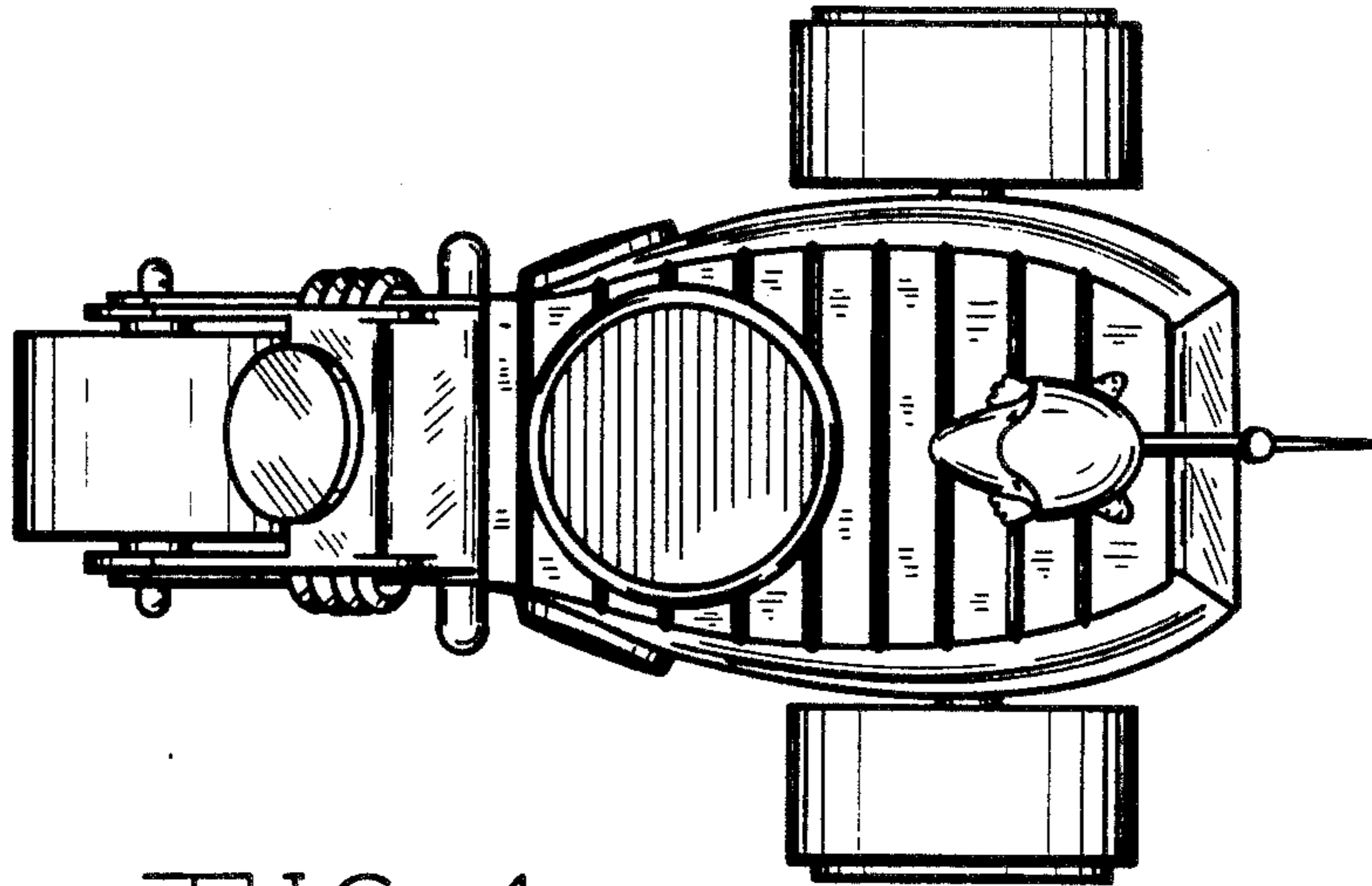


—FIG. 2

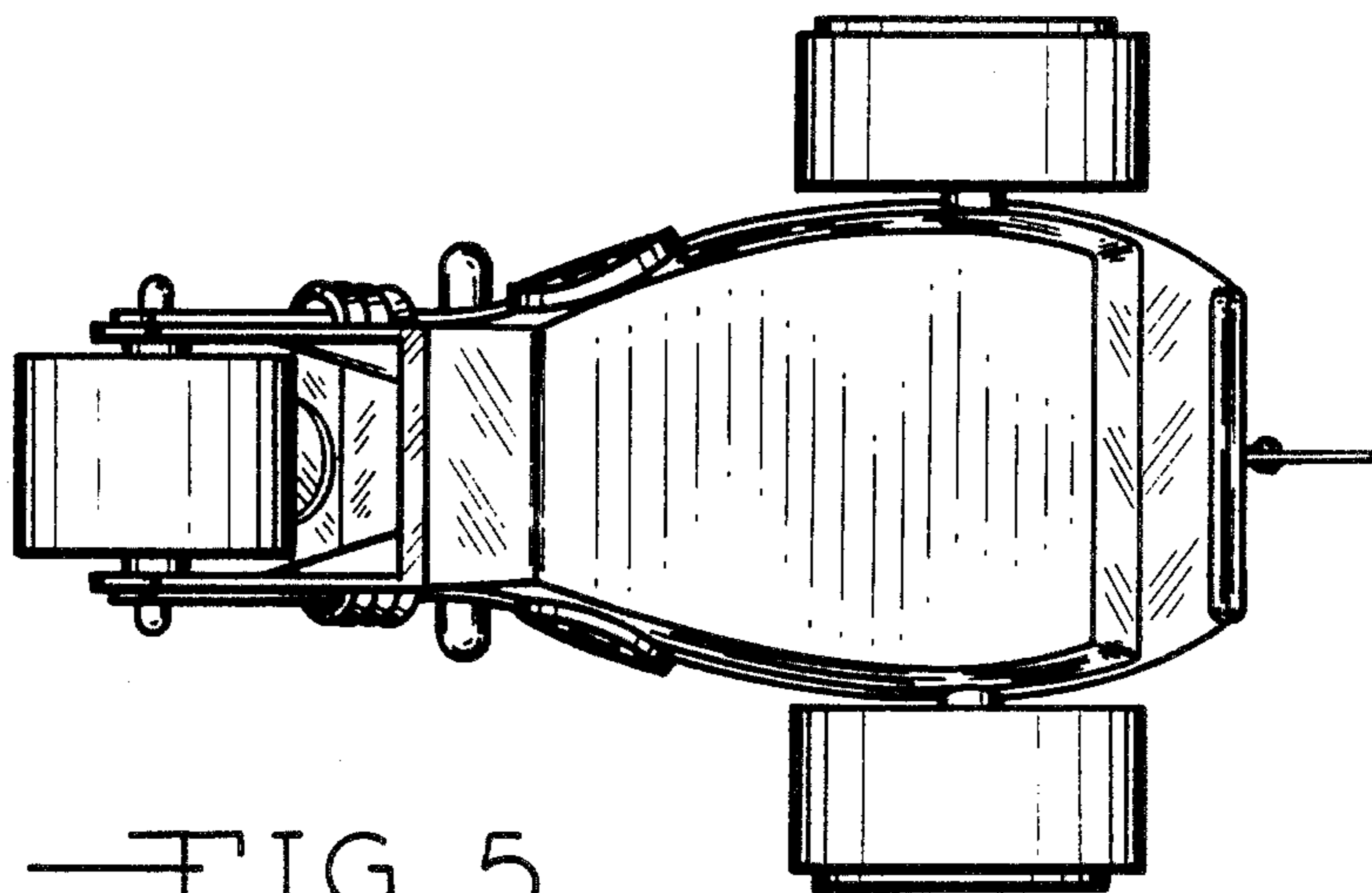


—FIG. 3





—FIG. 4



—FIG. 5