

[54] CARD-GAME DISPLAY BOARD

2,066,238 12/1936 Supina 273/148 A
2,982,031 5/1961 Bardelli 273/148 A

[76] Inventors: Walter Zawicki; Stephanie S. Zawicki, both of 322 N. Main St., Moscow, Pa. 18444

Primary Examiner—Melvin B. Feifer
Attorney, Agent, or Firm—John F. McClellan, Sr.

[**] Term: 14 Years

[57] CLAIM

[21] Appl. No.: 755,334

The ornamental design for a card-game display board, substantially as shown and described.

[22] Filed: Dec. 29, 1976

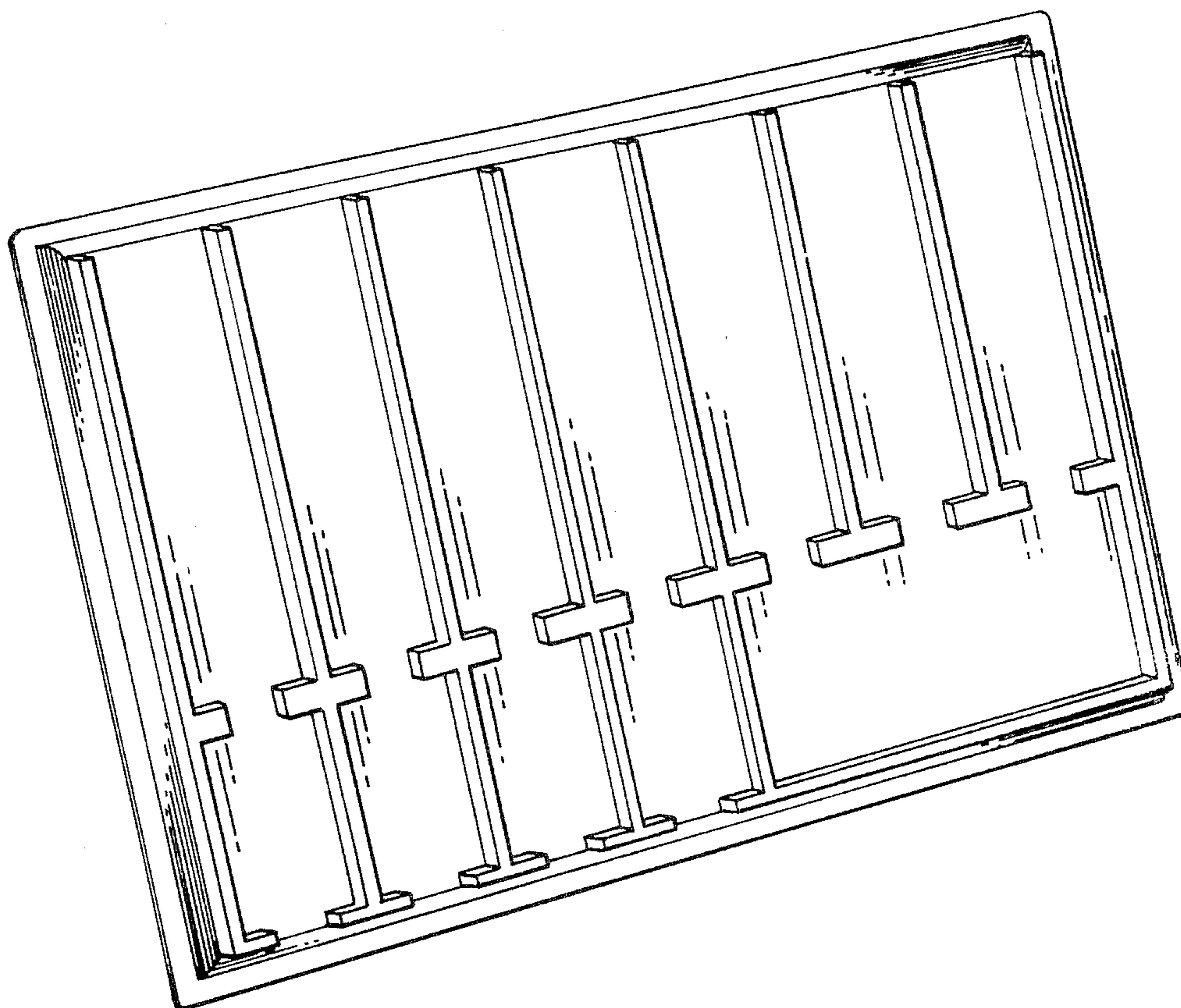
DESCRIPTION

[51] Int. Cl. D21—01
[52] U.S. Cl. D34/13 A
[58] Field of Search D34/13 A; 273/148 A, 273/150

FIG. 1 is a front perspective view showing our new design for a card-game display board; FIG. 2 is an elevational view thereof as viewed at the left edge in FIG. 1; FIG. 3 is an elevational view thereof as viewed at the top edge in FIG. 1; FIG. 4 is an elevational view thereof as viewed at the bottom edge in FIG. 1; and FIG. 5 is an elevational view thereof as viewed at the right edge in FIG. 1.

- [56] References Cited
- U.S. PATENT DOCUMENTS
- | | | | | |
|------------|---------|---------|-------|----------|
| D. 161,815 | 2/1951 | Beeman | | D34/13 A |
| D. 241,052 | 8/1976 | Brown | | D34/13 A |
| 1,941,181 | 12/1933 | McGinty | | 273/150 |

The back view of the card-game display board is a featureless plane.



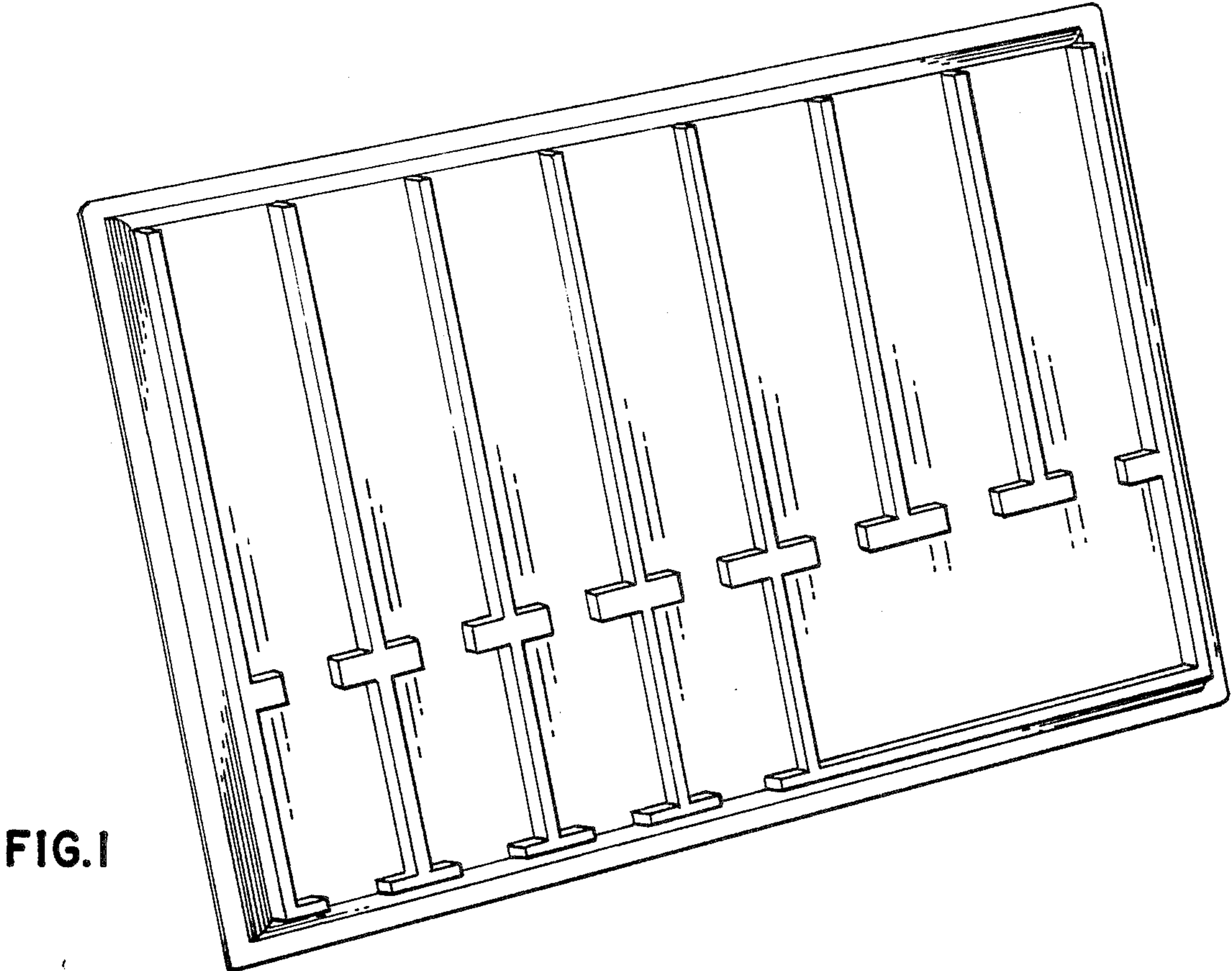


FIG. 1

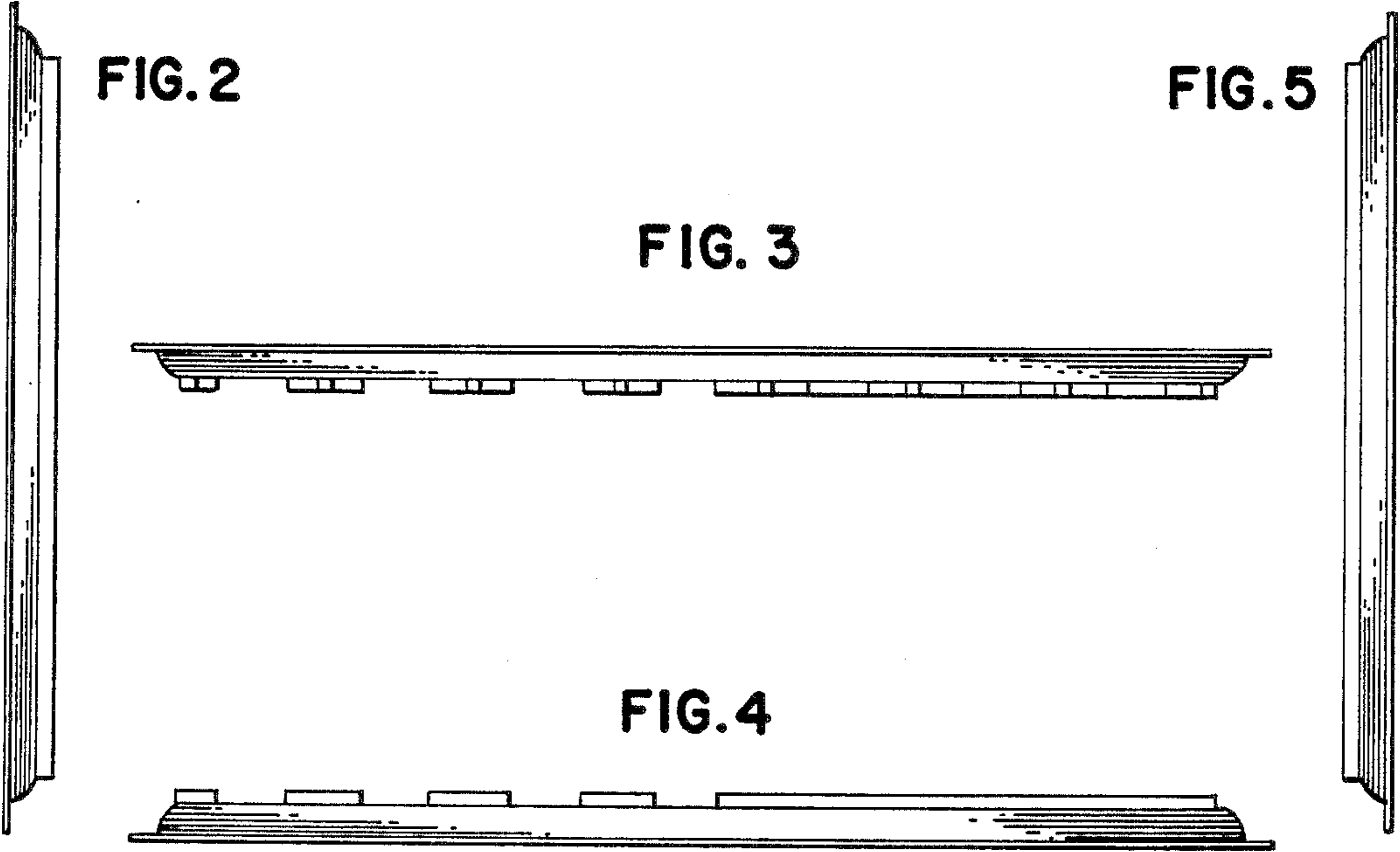


FIG. 2

FIG. 5

FIG. 3

FIG. 4