

[54] COMBINED FEED TROUGH AND SUPPORT

Attorney, Agent, or Firm—A. Yates Dowell, Jr.

[76] Inventor: George O. Chaires, P.O. Box 5175, Tallahassee, Fla. 32301

[57] CLAIM

The ornamental design for a combined feed trough and support, as shown and described.

[**] Term: 14 Years

DESCRIPTION

[21] Appl. No.: 764,940

[22] Filed: Feb. 2, 1977

[51] Int. Cl. D30—03

[52] U.S. Cl. D30/16

[58] Field of Search 119/61.8, 51.5; 119/61

[56] References Cited

U.S. PATENT DOCUMENTS

150,423	5/1874	Link et al.	119/61
D. 177,053	3/1956	Kofford	D30/16
D. 218,979	10/1970	Kofford	D30/16
712,919	11/1902	Faust	119/61
1,037,093	8/1912	Wendorf et al.	119/61
1,435,404	11/1922	Lloyd	119/61
1,647,069	10/1927	Ahlman	119/61
1,762,589	6/1930	Rivers	119/61
1,989,477	1/1935	Ferris	D30/13 X
2,658,709	11/1953	Kendall	119/61 X

Primary Examiner—James R. Largen

FIG. 1 is a perspective view illustrating the combined feed trough and support showing my new design.

FIG. 2 is a front elevational view of the feed trough, the rear being the same as the front shown.

FIG. 3 is a top plan view of FIG. 2.

FIG. 4 is an elevational view taken from one side of FIG. 2, the opposite side being the same as the side shown.

FIG. 5 is a cross-sectional view taken on the line 5—5 of FIG. 3.

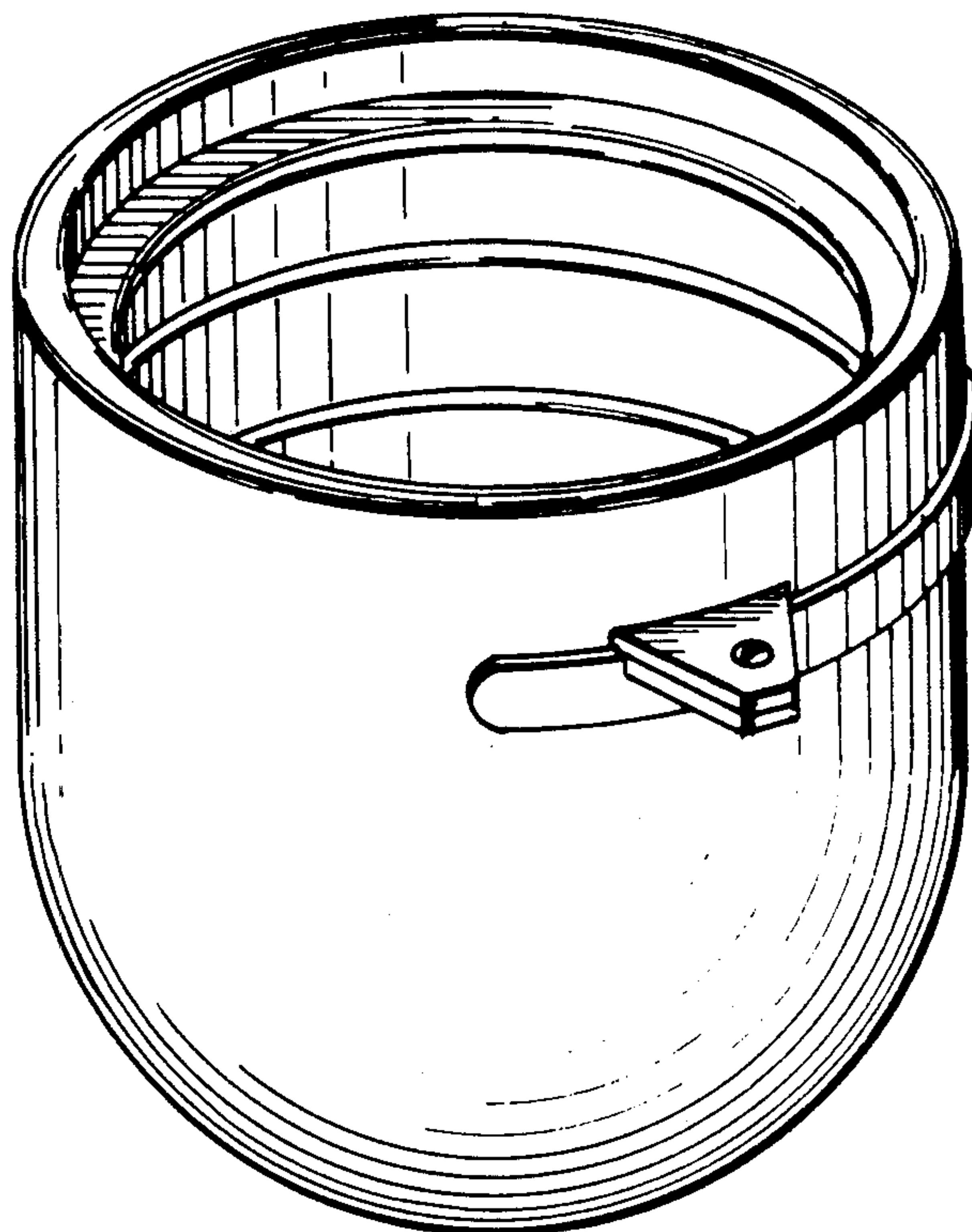
FIG. 6 is a top plan view of the support.

FIG. 7 is an elevational view taken from one side of FIG. 6, the opposite side being a mirror image of the side shown.

FIG. 8 is a front elevational view of FIG. 6.

FIG. 9 is a rear elevational view of FIG. 6.

The back and the side of the trough not shown are identical with the front and side, respectively, shown in FIGS. 2 and 4.



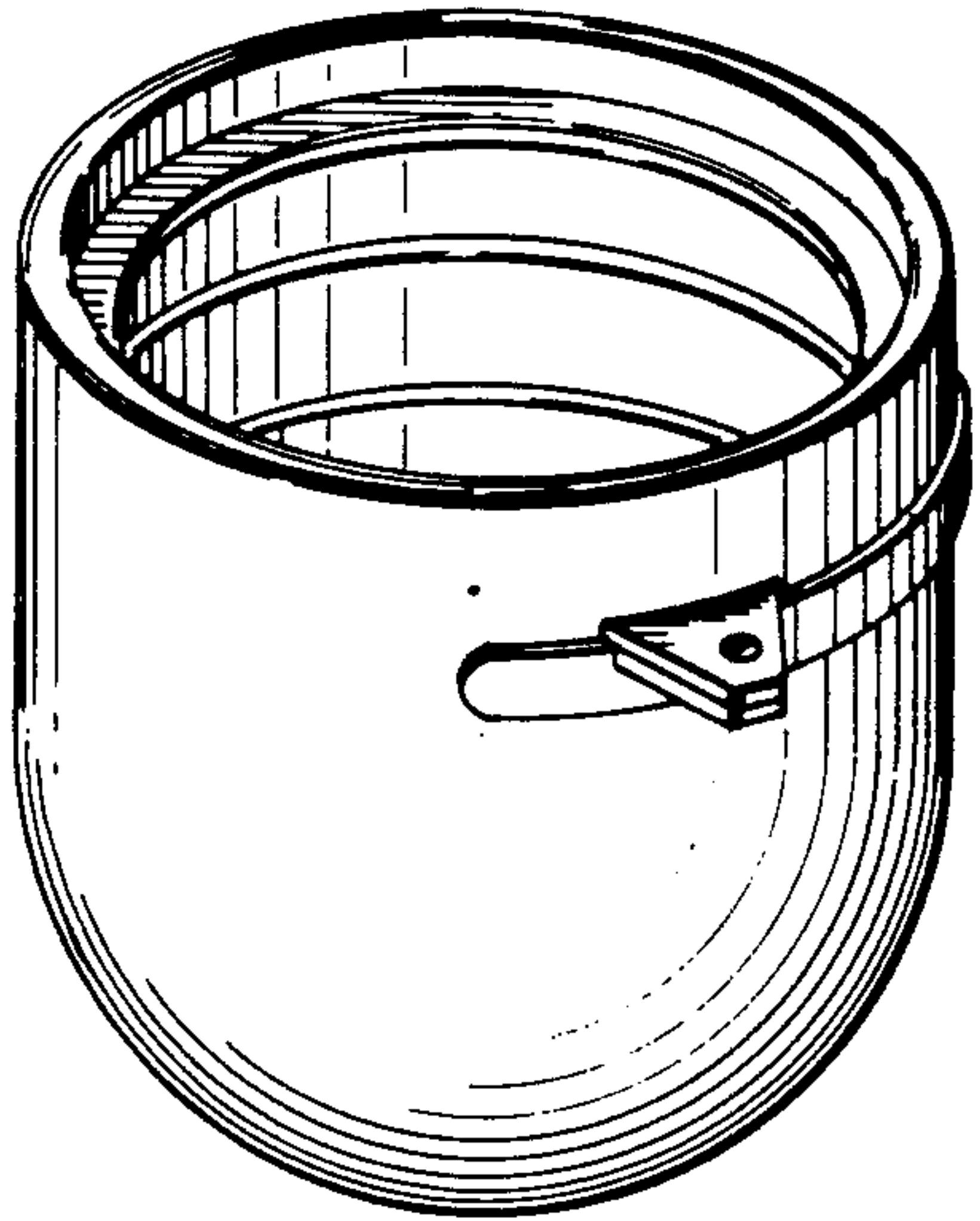


FIG. 1

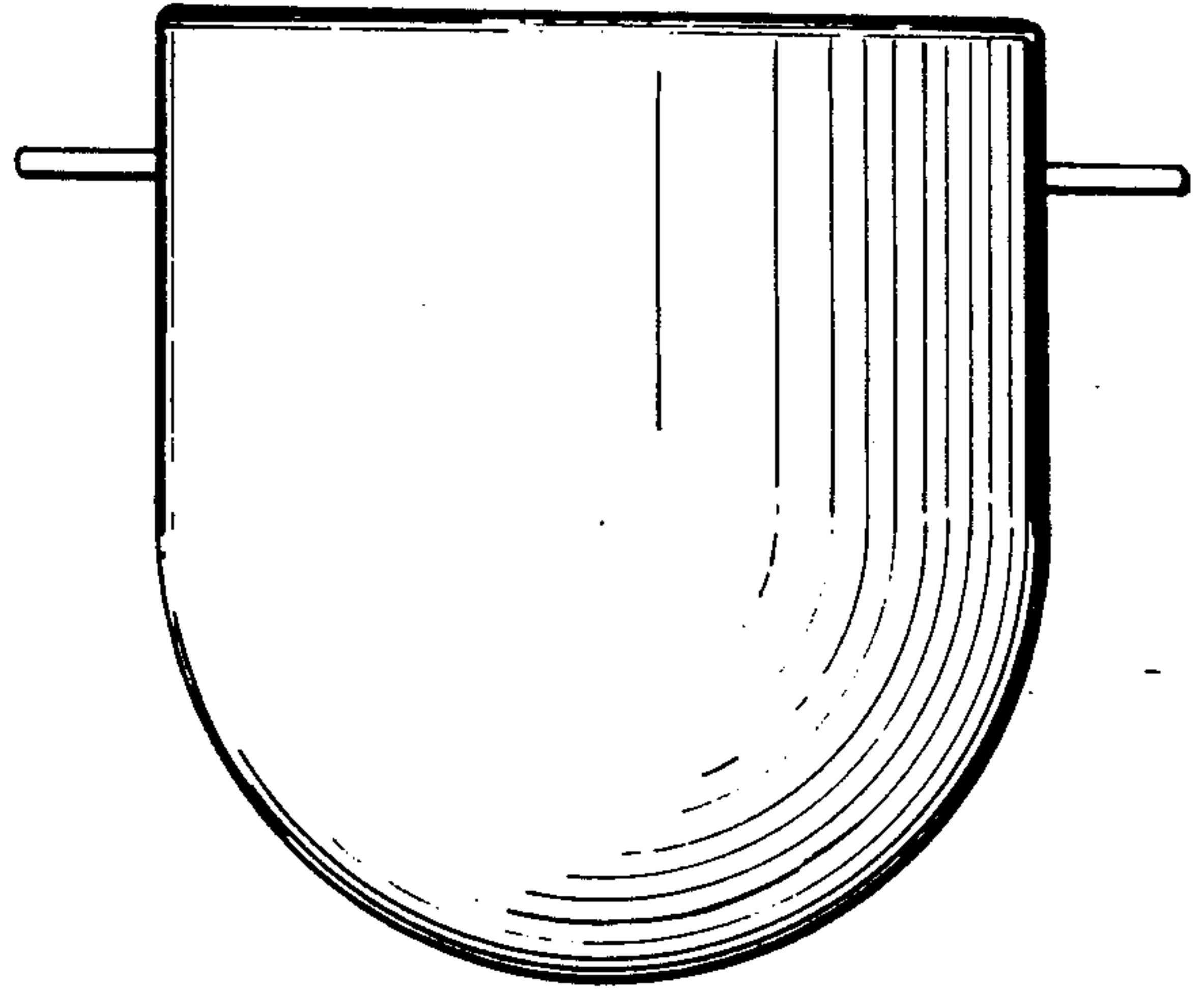


FIG. 2

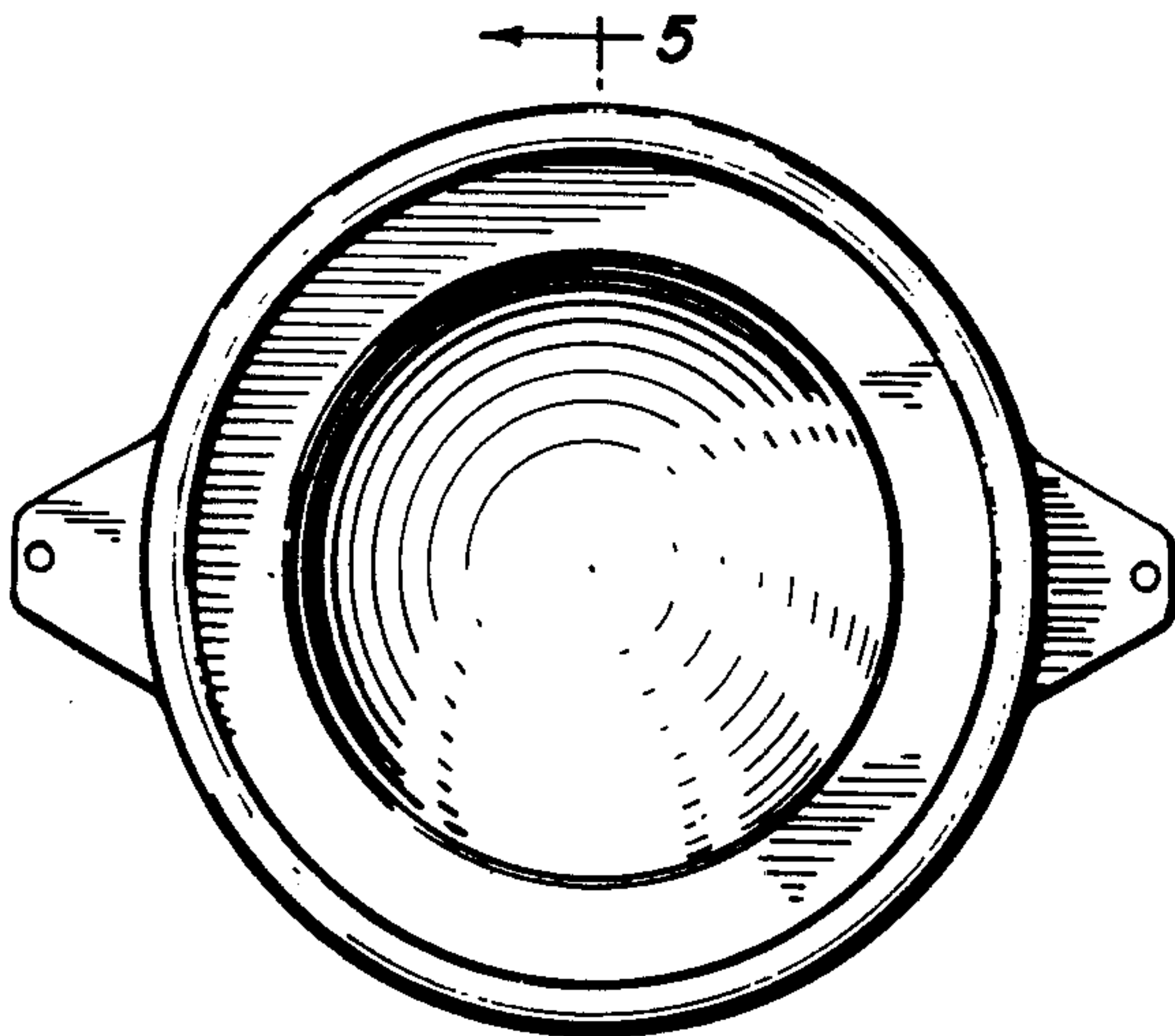


FIG. 3

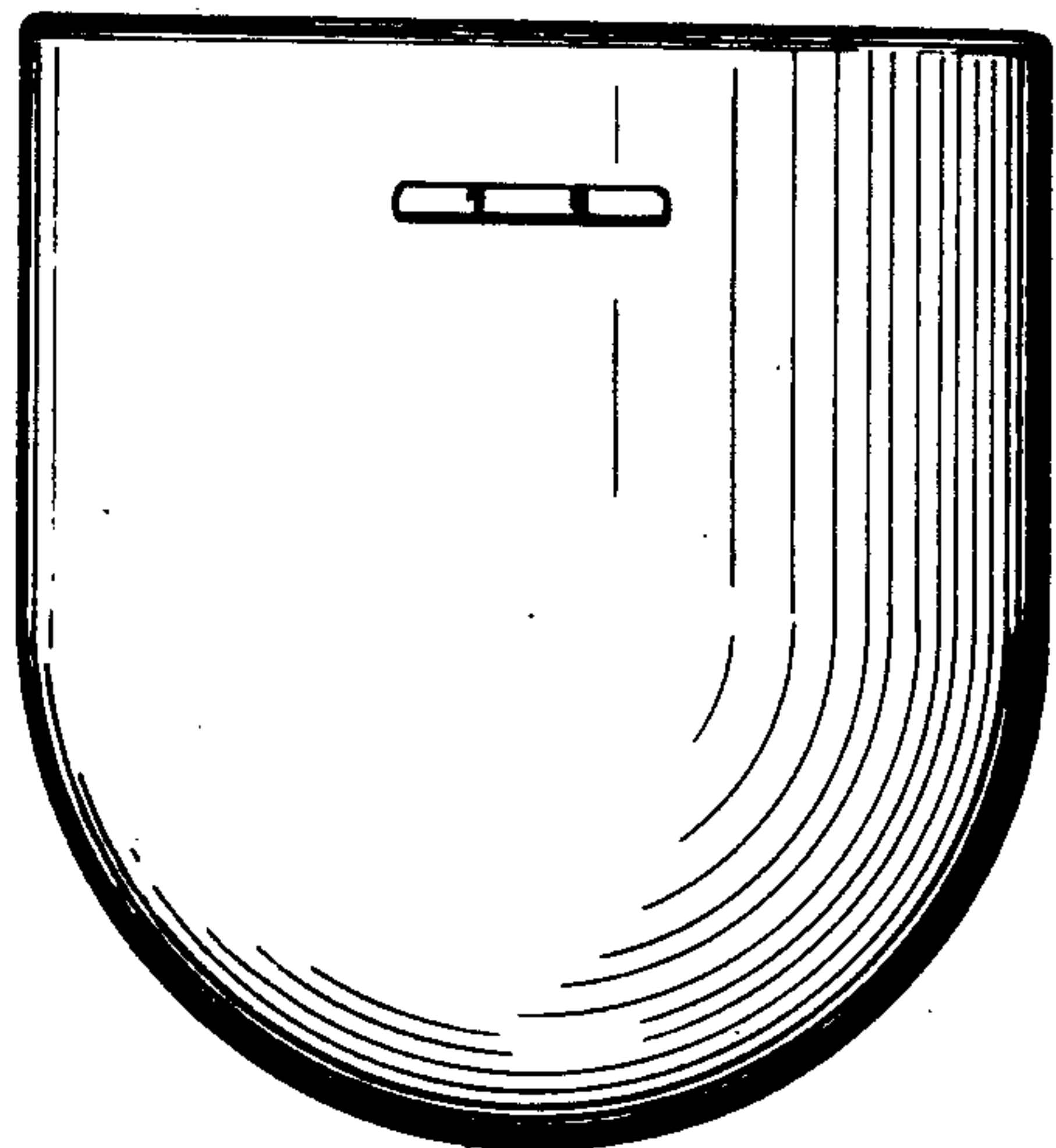


FIG. 4

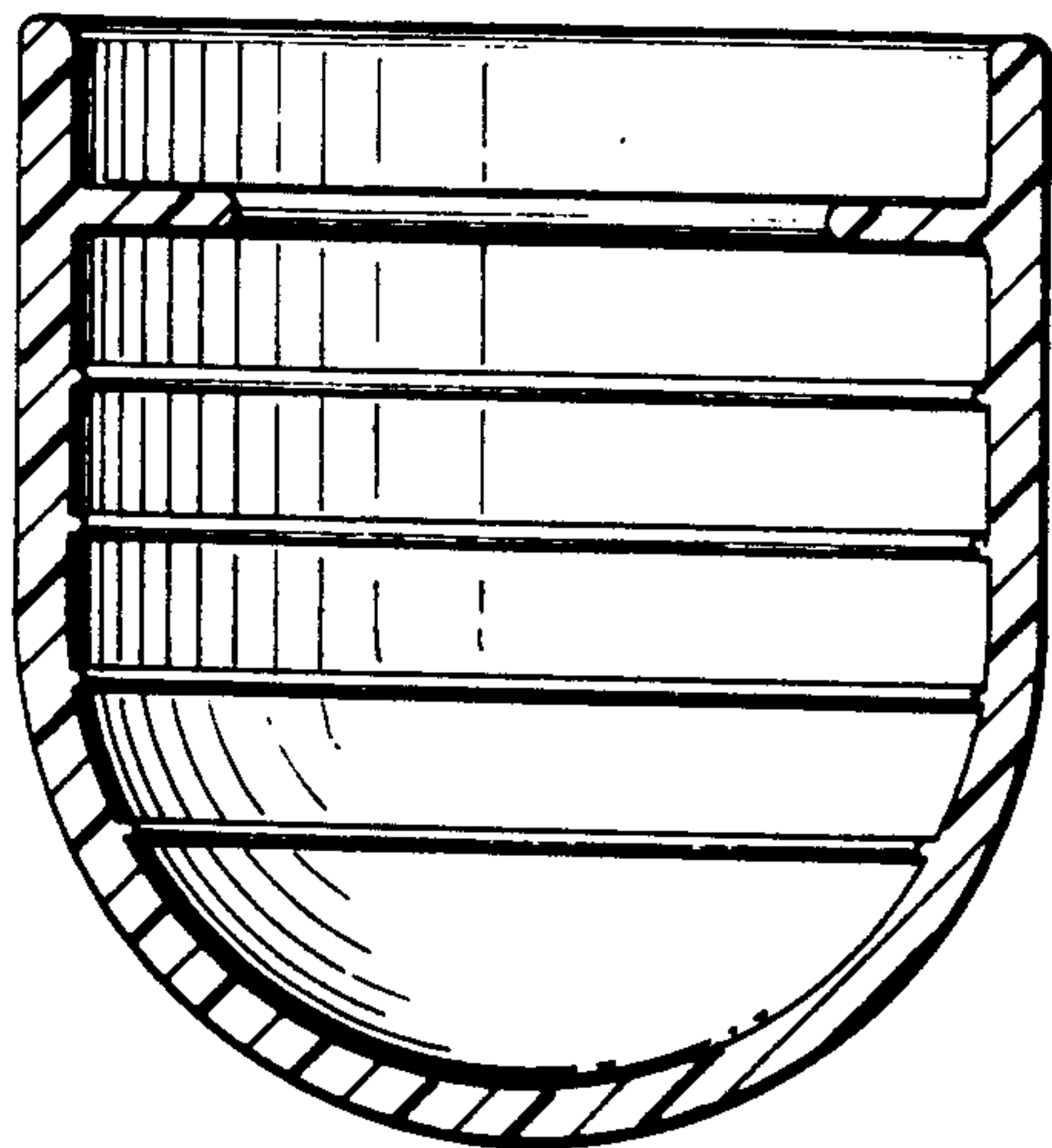


FIG. 5

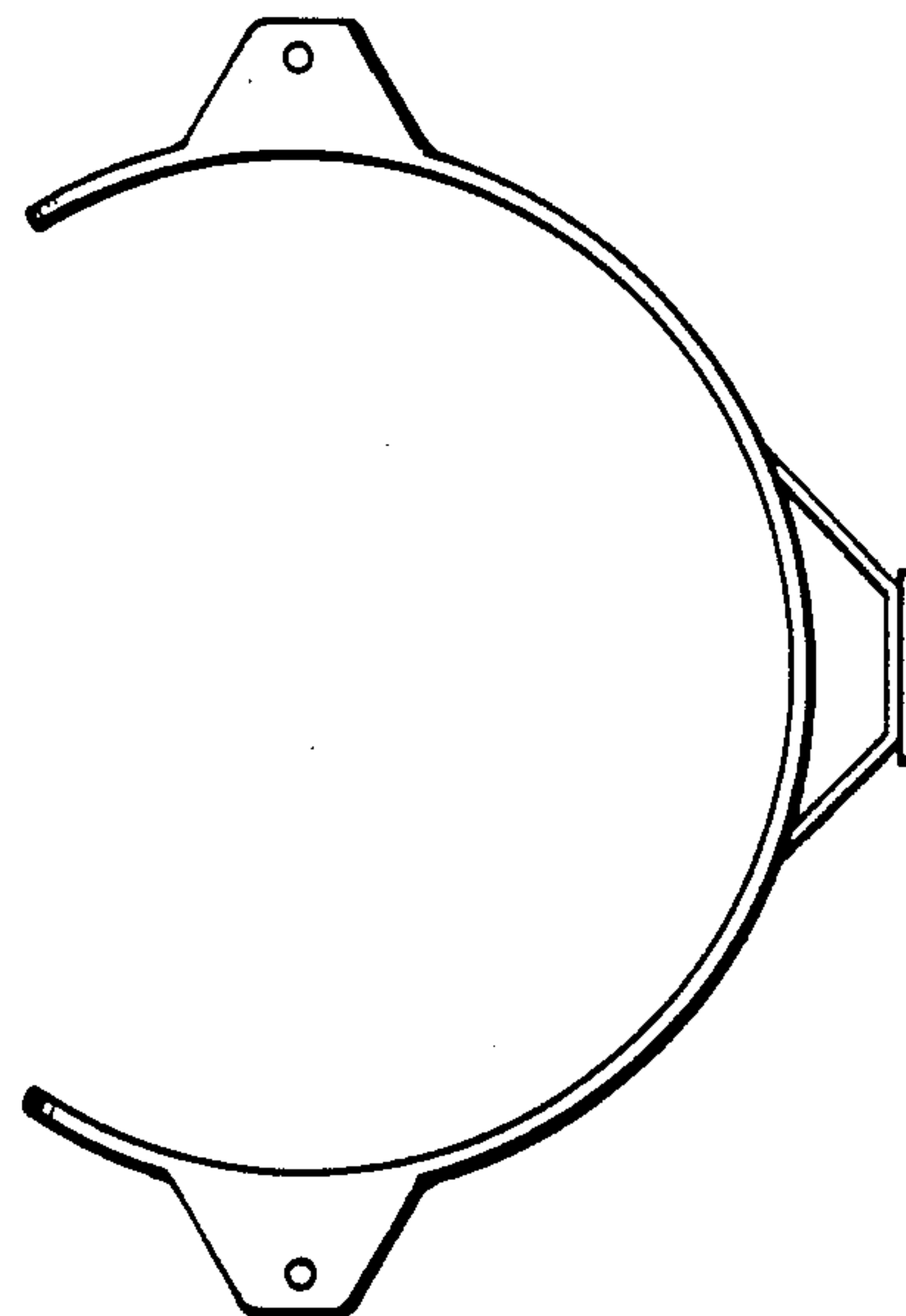


FIG. 6

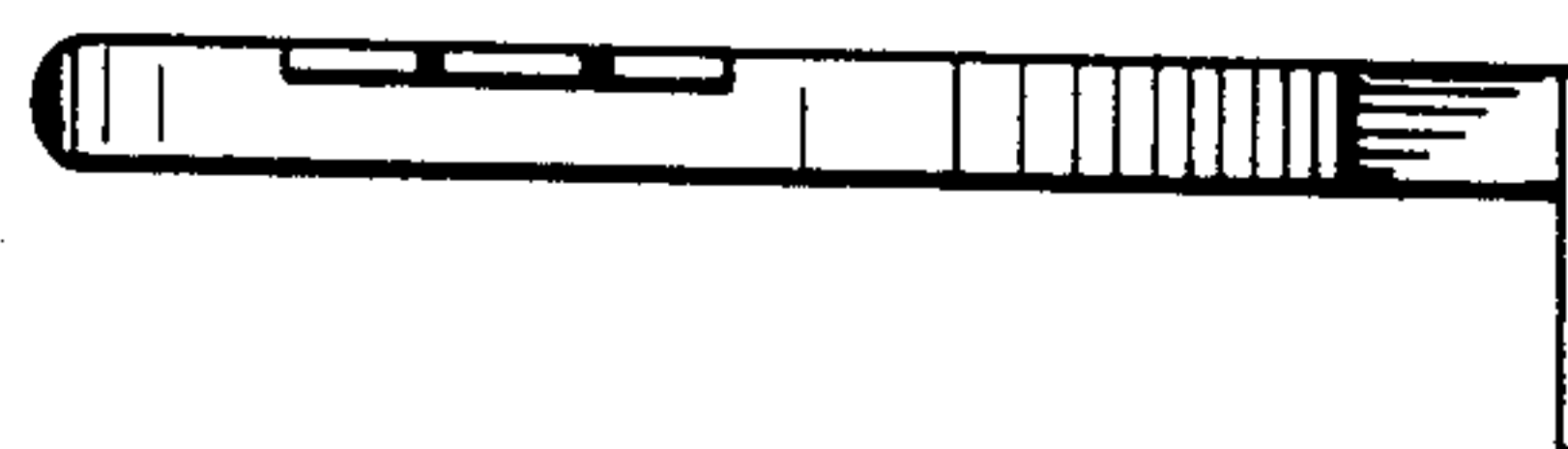


FIG. 7

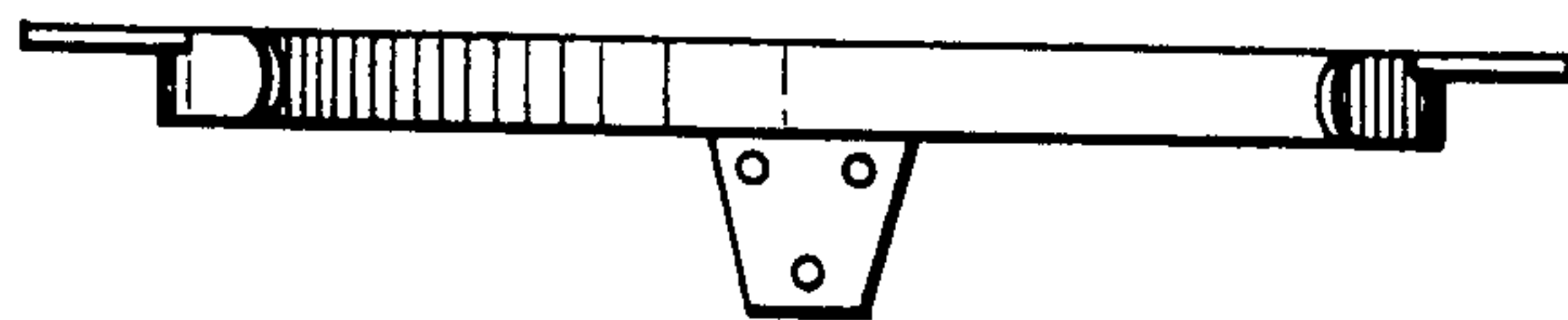


FIG. 8

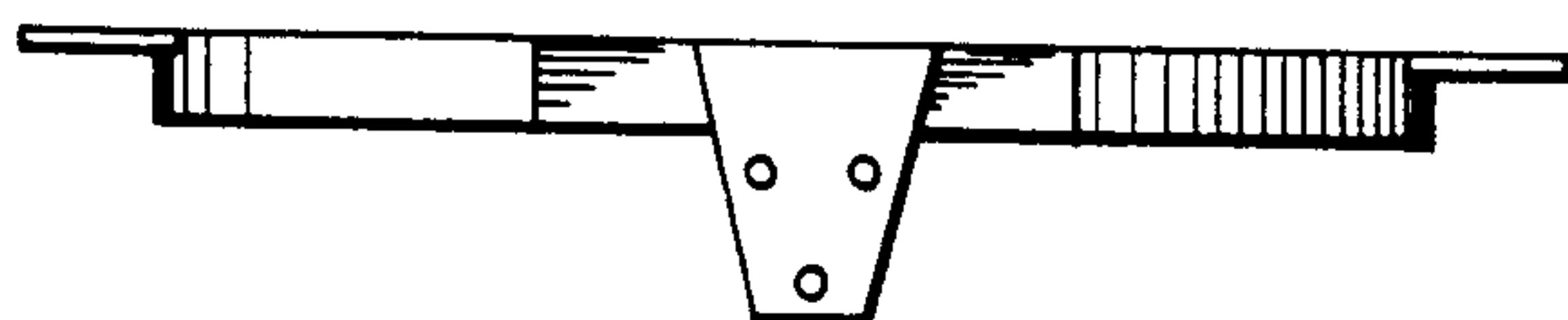


FIG. 9