

[54] GLUCOSE ANALYZER

[75] Inventors: Robert J. Aul, Perrysburg; Philip J. Breno, Oregon; Wayne J. Zitkus; Barry Watson, both of Toledo, all of Ohio; Paul R. Maguire, Los Angeles, Calif.

[73] Assignee: Owens-Illinois, Inc., Toledo, Ohio

[**] Term: 14 Years

[21] Appl. No.: 717,777

[22] Filed: Aug. 25, 1976

Related U.S. Application Data

[63] Continuation-in-part of Ser. No. 604,406, Aug. 13, 1975, abandoned.

[51] Int. Cl. D24-01

[52] U.S. Cl. D24/21

[58] Field of Search D24/21; 195/103.5 C; 204/195 B; 23/230 B

[56] References Cited

U.S. PATENT DOCUMENTS

D. 234,705	4/1975	Gomes et al.	D24/21
3,770,607	11/1973	Williams	204/195 B
3,839,154	10/1974	Messing	195/103.5 C
3,920,969	11/1975	Berglas	204/195 B

Primary Examiner—Bernard Ansher

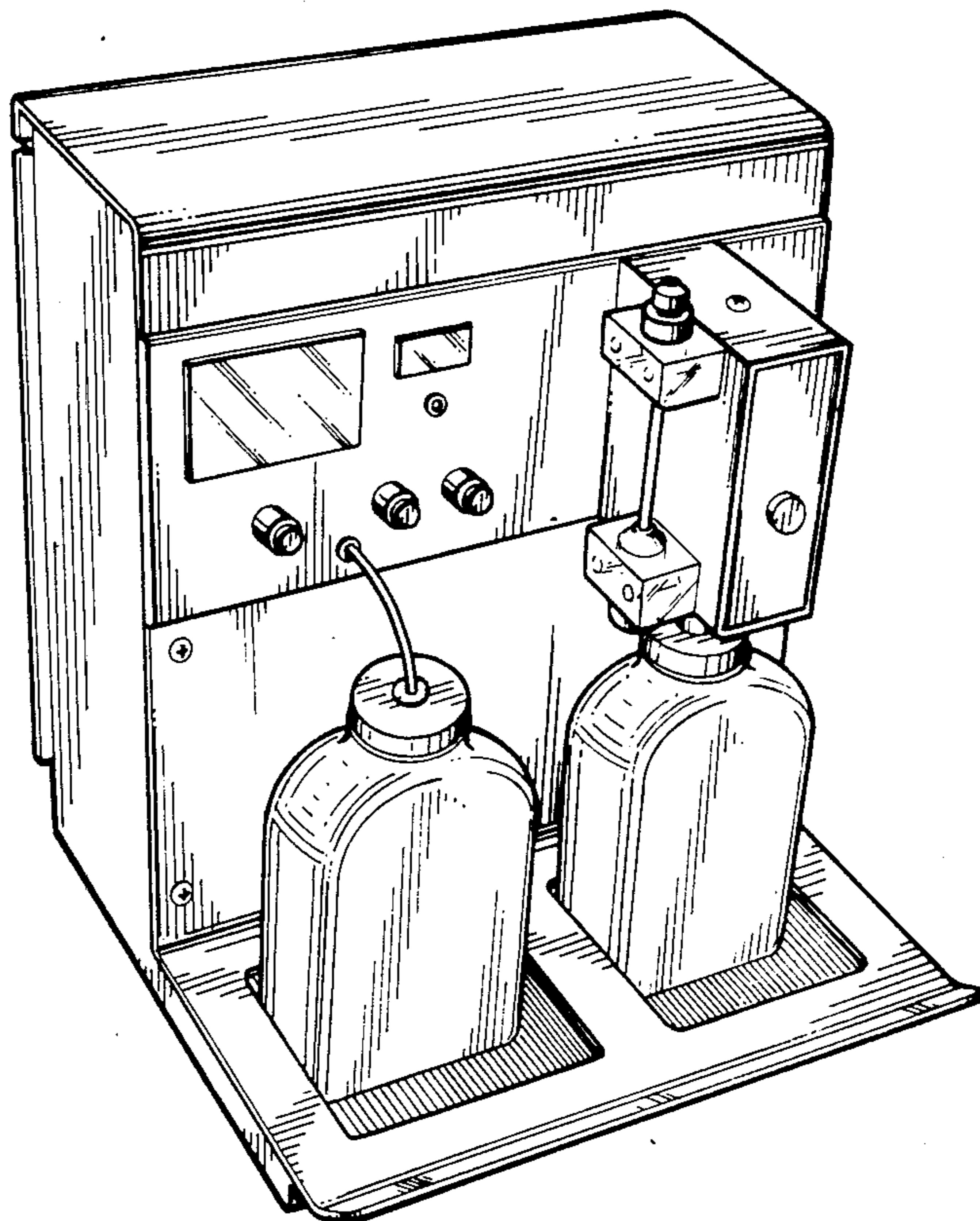
Attorney, Agent, or Firm—Richard B. Dence

[57] CLAIM

The ornamental design for an glucose analyzer, as shown and described.

DESCRIPTION

FIG. 1 is a front perspective of a glucose analyzer, showing our new design; FIG. 2 is a front elevation thereof; FIG. 3 is a side elevation as seen from the left of FIG. 1; FIG. 4 is an elevation as seen from the side opposite of FIG. 3; FIG. 5 is a top plan view; FIG. 6 is a rear elevation thereof; and FIG. 7 is a view similar to FIG. 1 of a modified embodiment of our new design depicted with transparent containers.



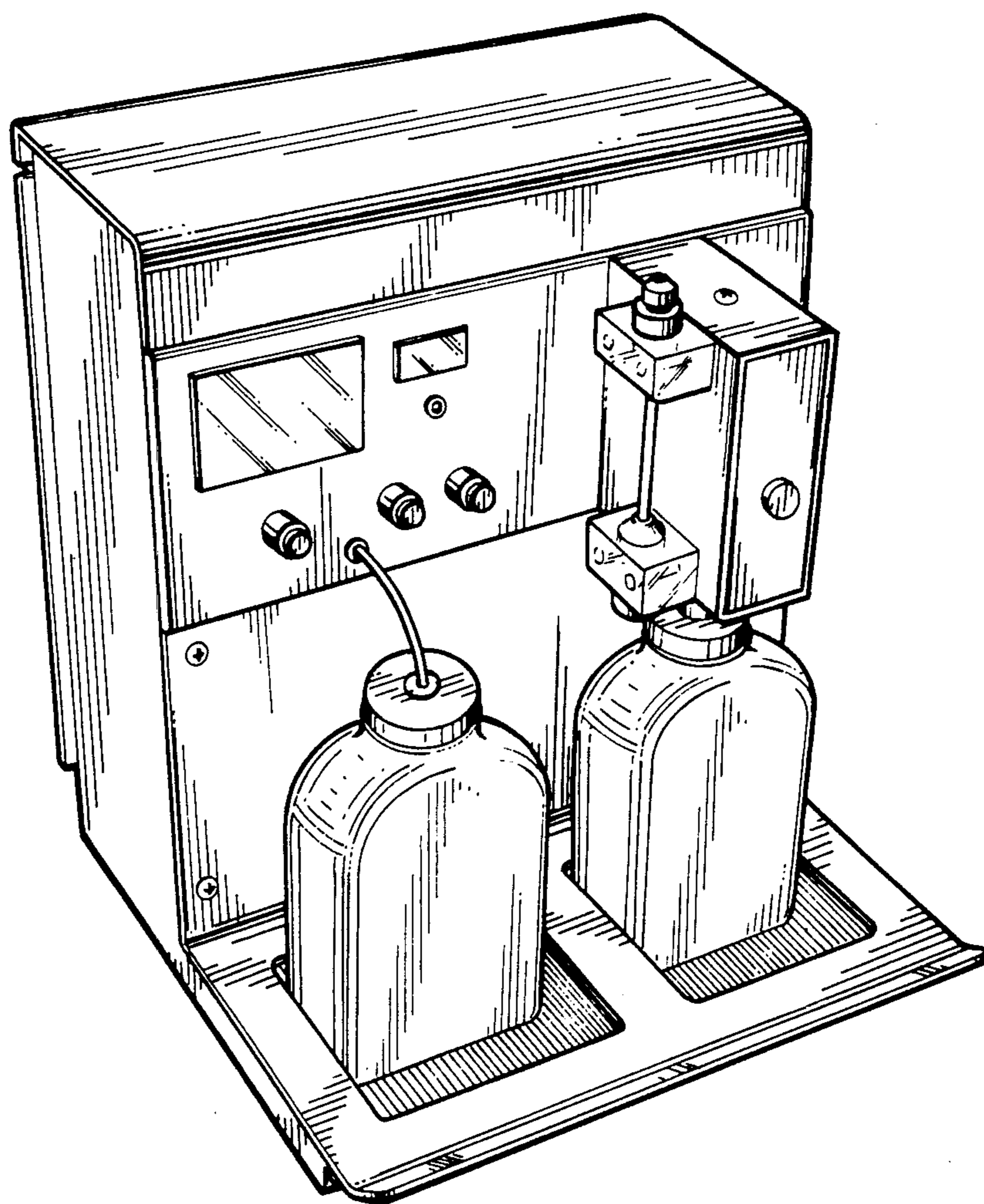


FIG. 1

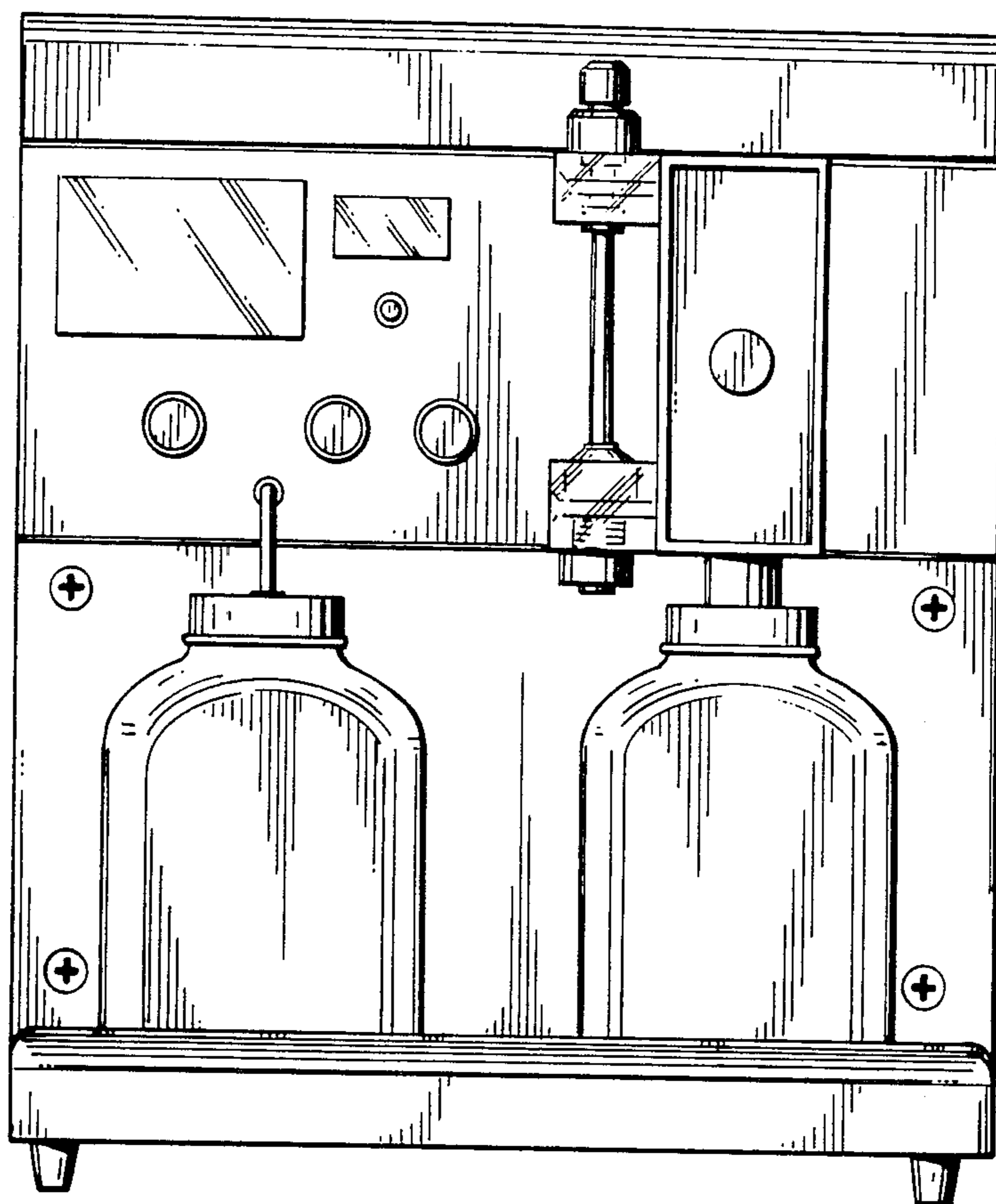


FIG. 2

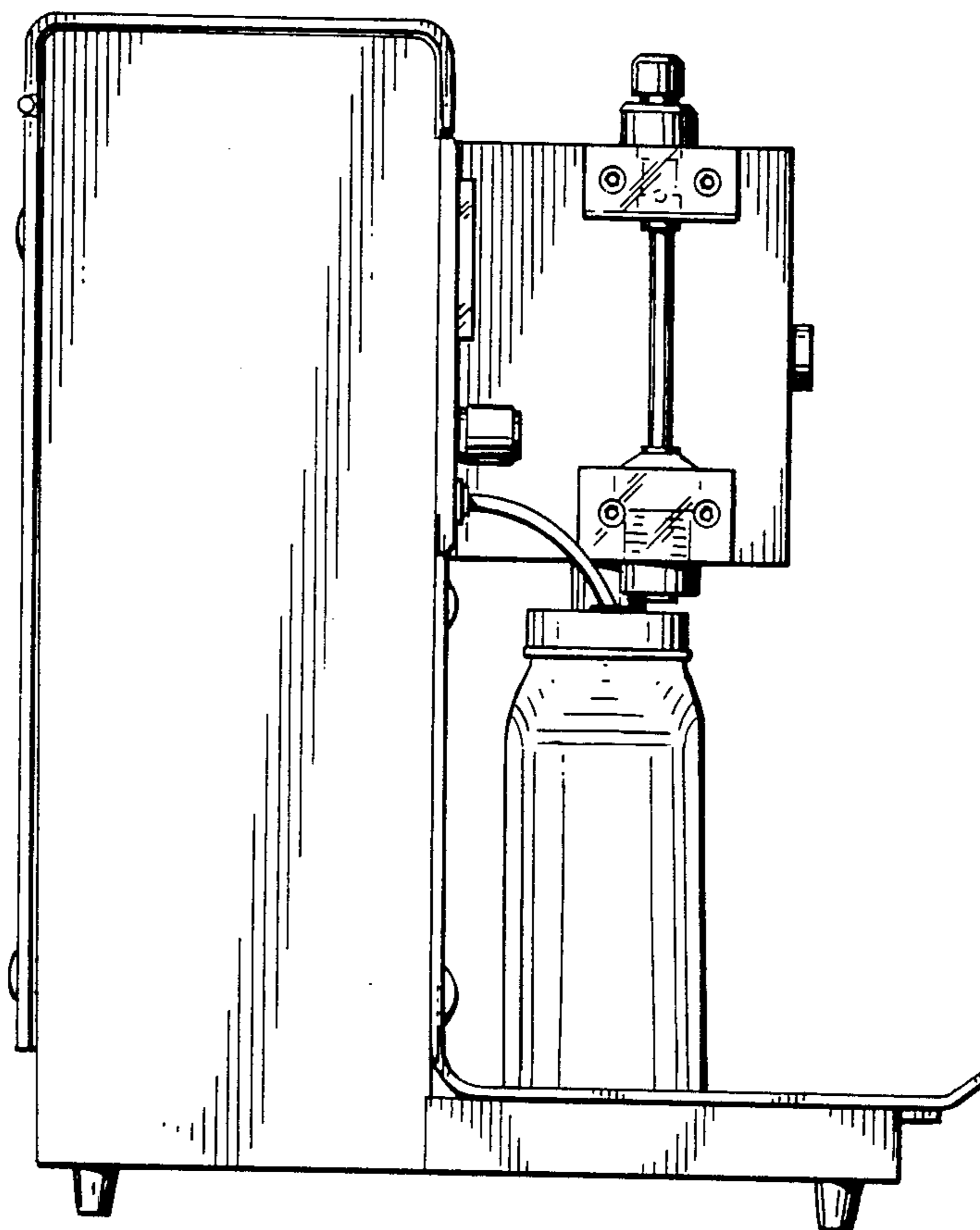


FIG. 3

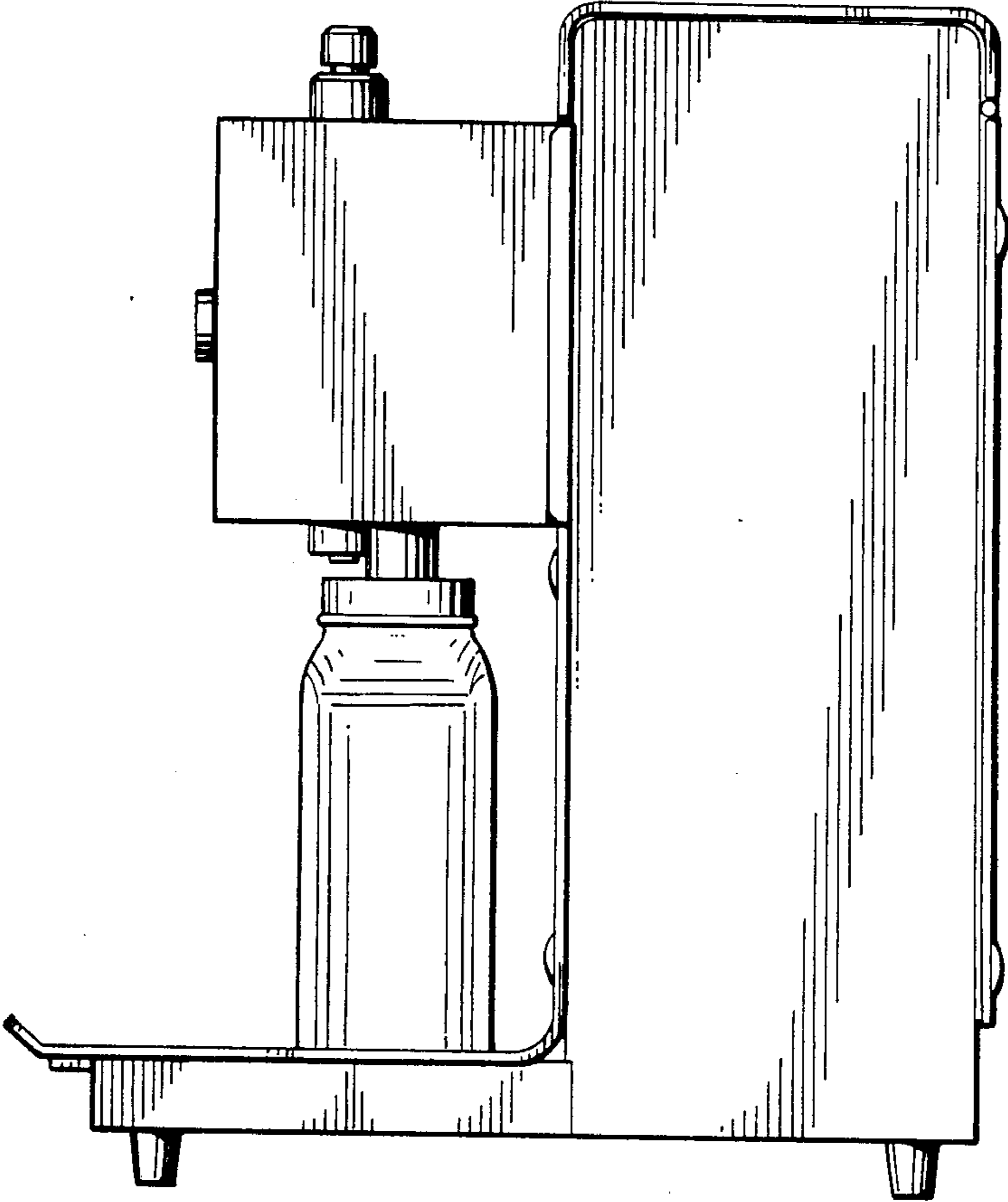


FIG. 4

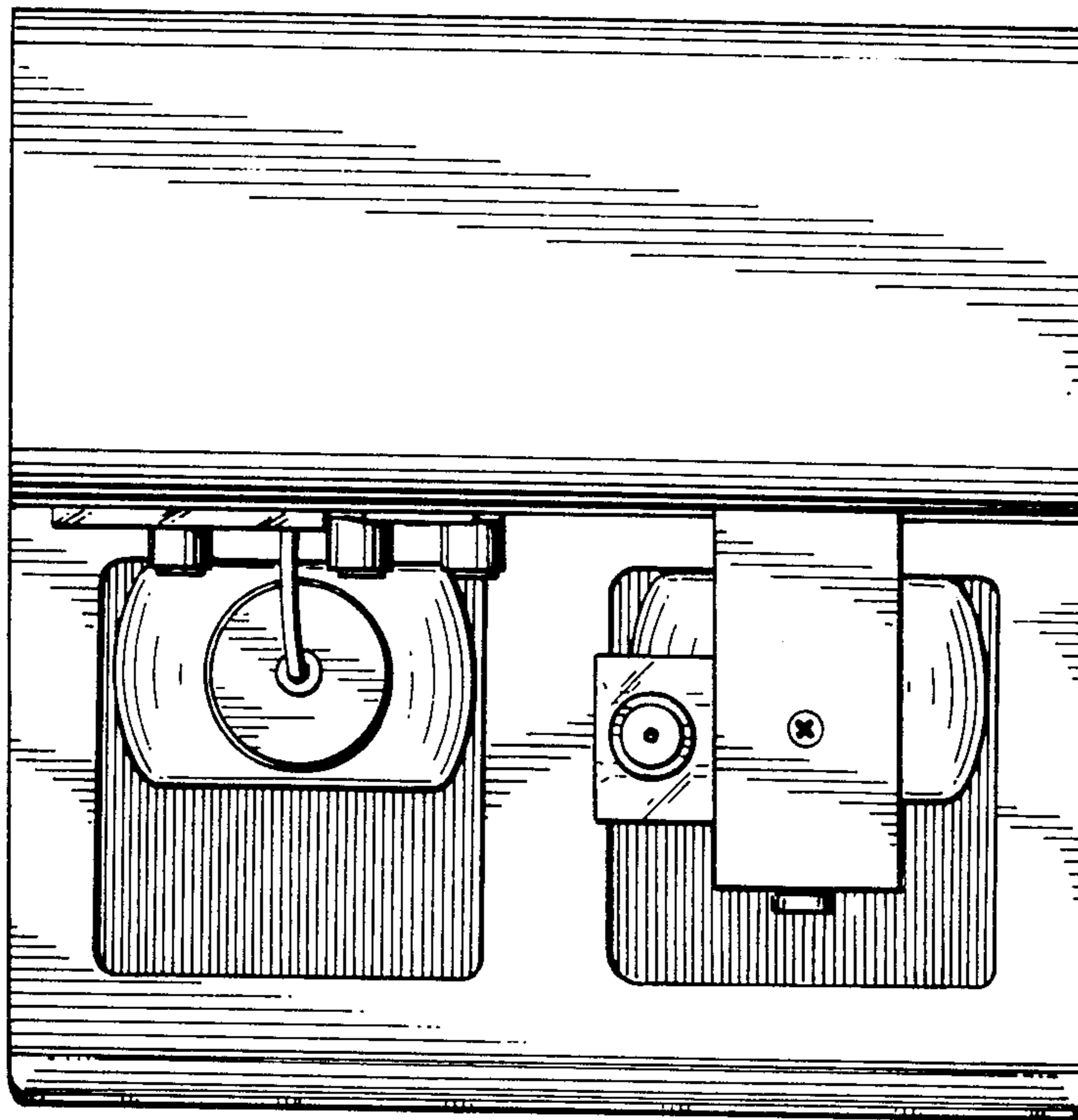


FIG. 5

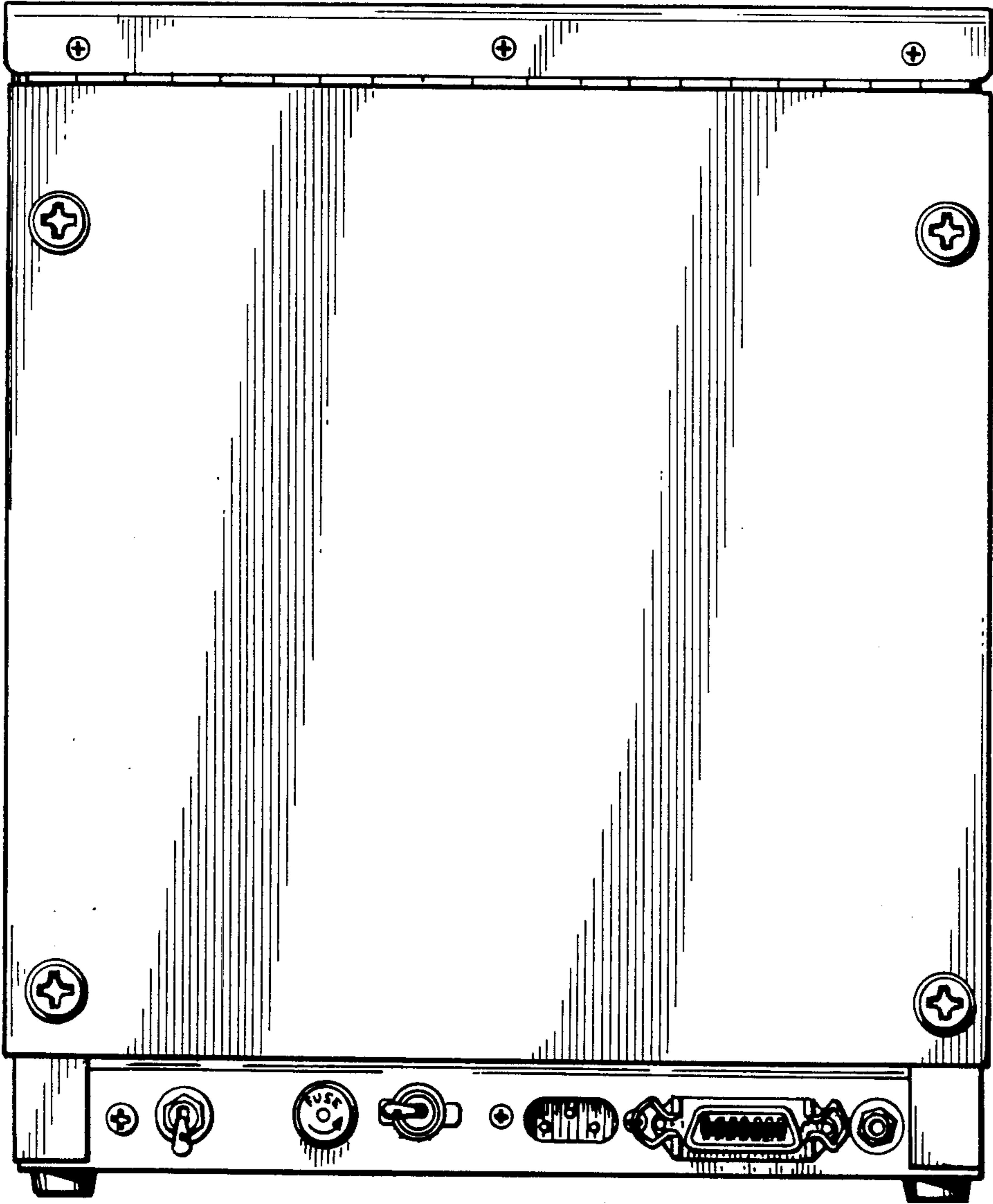


FIG. 6

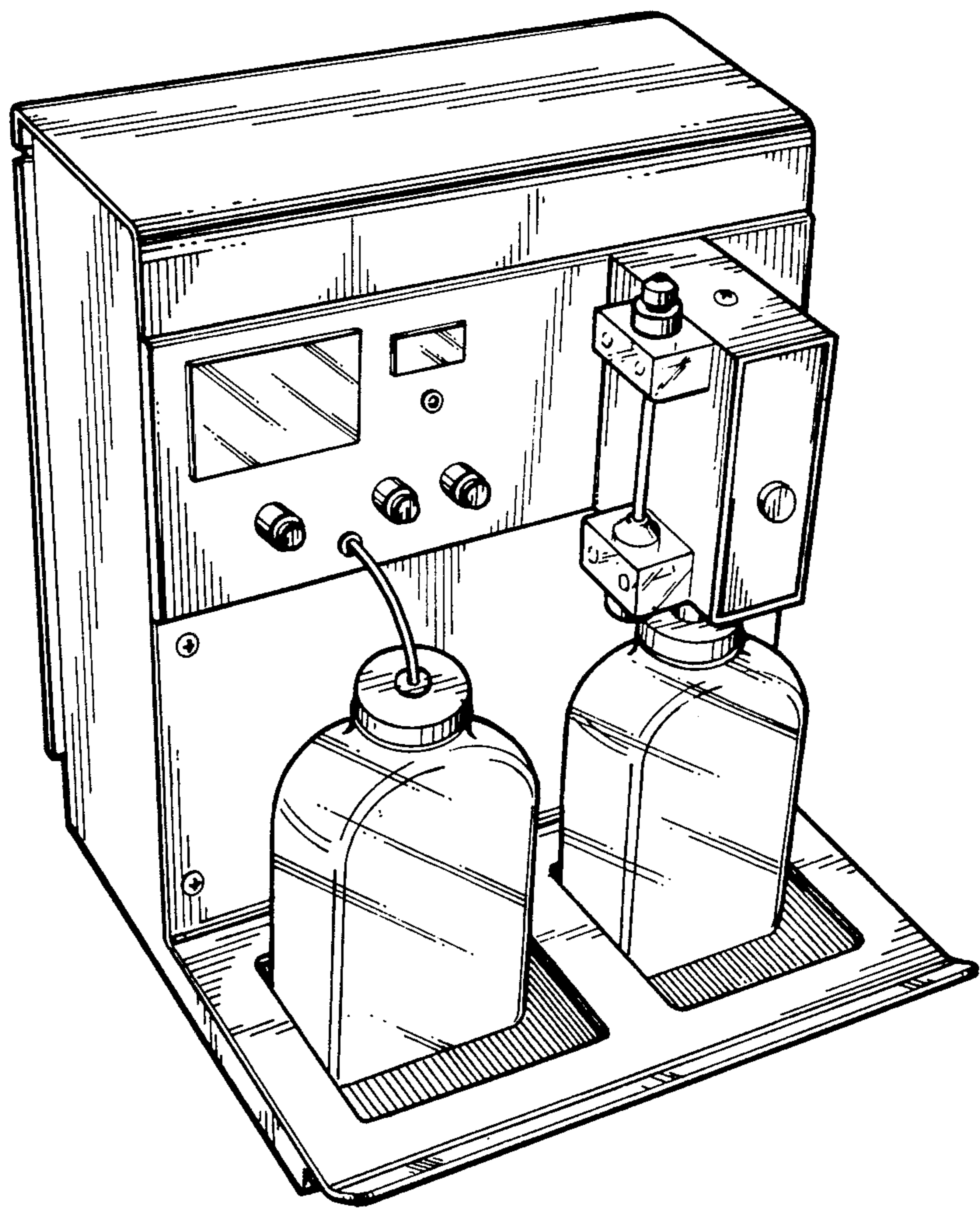


FIG. 7