

[54] HYDRAULIC LINE PLUG CLAMP UNIT

[76] Inventor: **Ferdinando DeAmicis**, 6401 Oliver Ave. South, Richfield, Minn. 55423

[**] Term: **14 Years**

[21] Appl. No.: **711,512**

[22] Filed: **Aug. 4, 1976**

[51] Int. Cl. **D23-01**

[52] U.S. Cl. **D23/40; D23/1; D8/73**

[58] Field of Search **D23/1, 19-47; D8/71-73; 138/89, 96 R, 96 T; 215/273; 220/375**

[56]

References Cited

U.S. PATENT DOCUMENTS

D. 210,747	4/1968	Anson	D8/73
1,993,307	3/1935	Nicholson	138/89
2,667,139	1/1954	Campbell	138/89 X

Primary Examiner—James R. Largen
Attorney, Agent, or Firm—H. Dale Palmatier

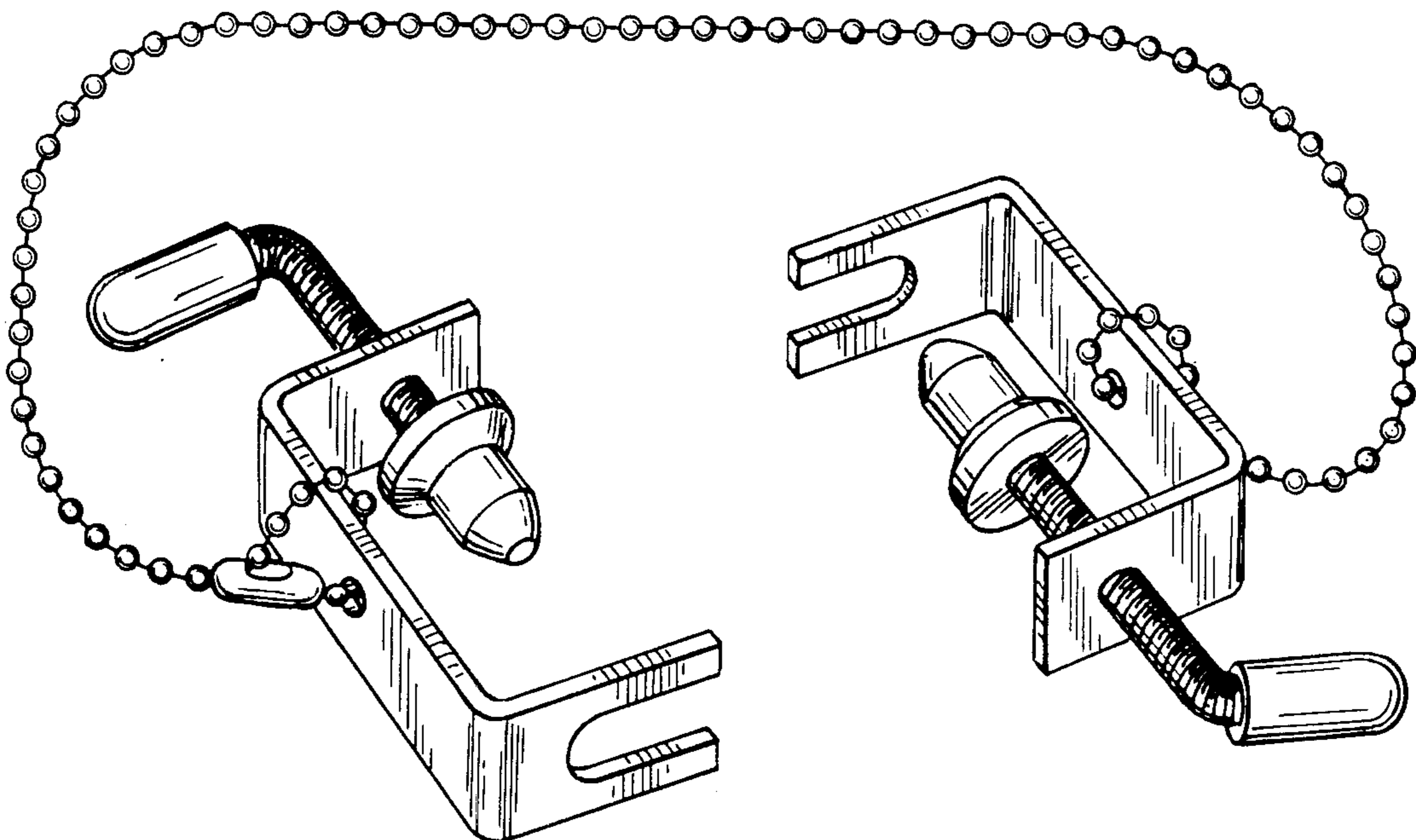
[57]

CLAIM

The ornamental design for a hydraulic line plug clamp unit, as shown.

DESCRIPTION

FIG. 1 is a perspective view of a hydraulic line plug clamp unit showing my new design; FIG. 2 is a front elevational view of one hydraulic line plug clamp; FIG. 3 is a side elevational view of FIG. 2; FIG. 4 is a rear elevational view of FIG. 2; FIG. 5 is a top plan view of FIG. 2; and FIG. 6 is a bottom plan view of FIG. 2.



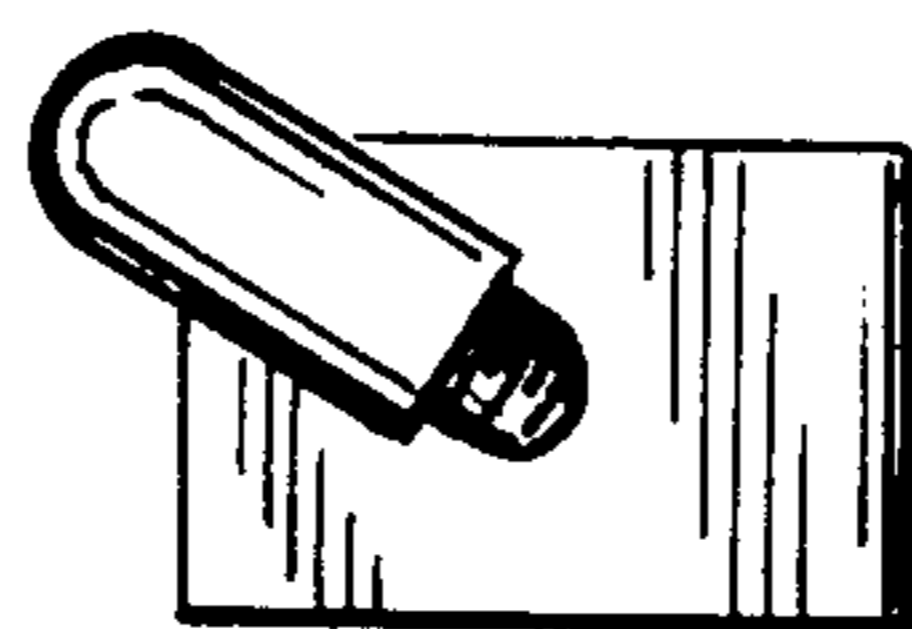
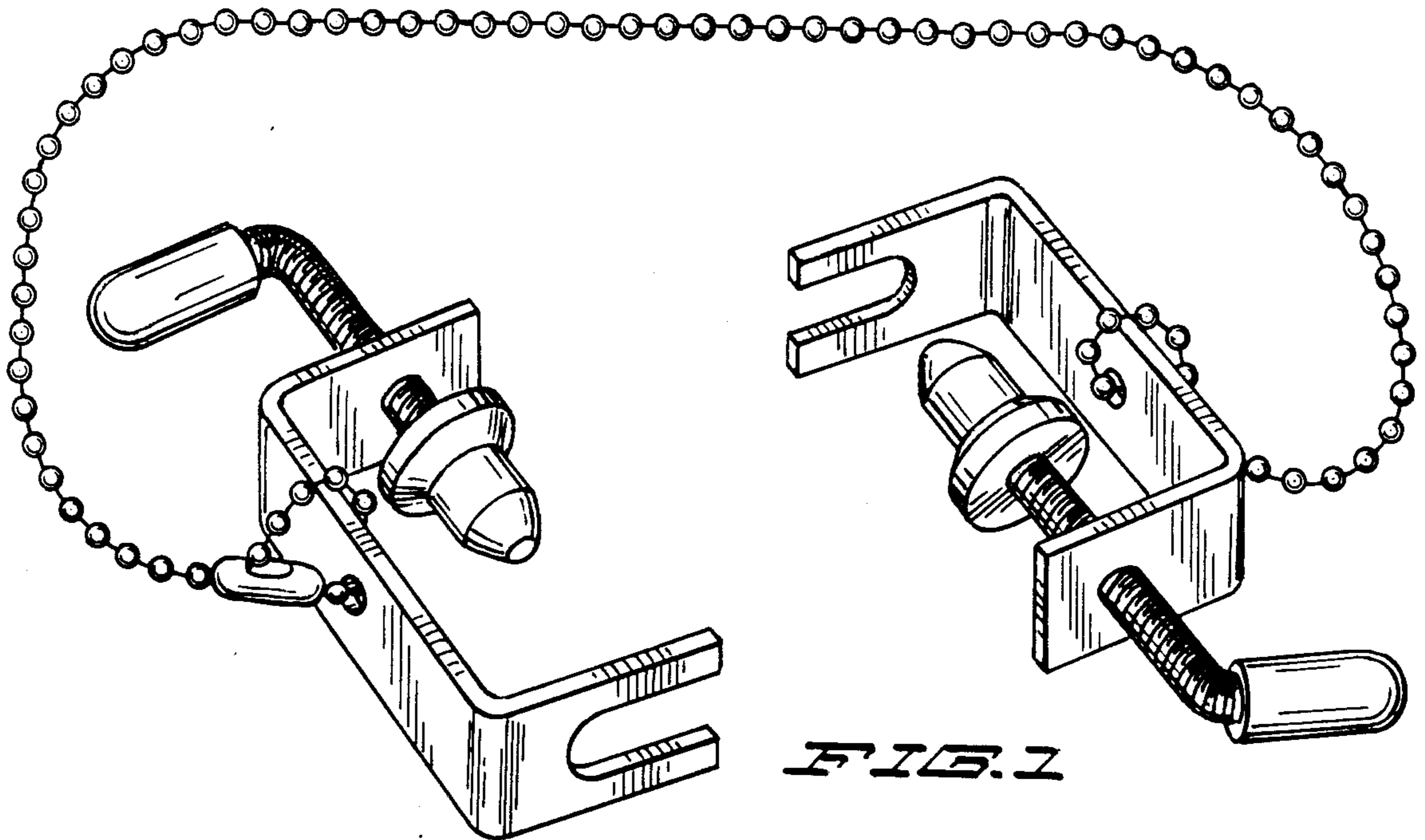


FIG. 2

FIG. 5

FIG. 4

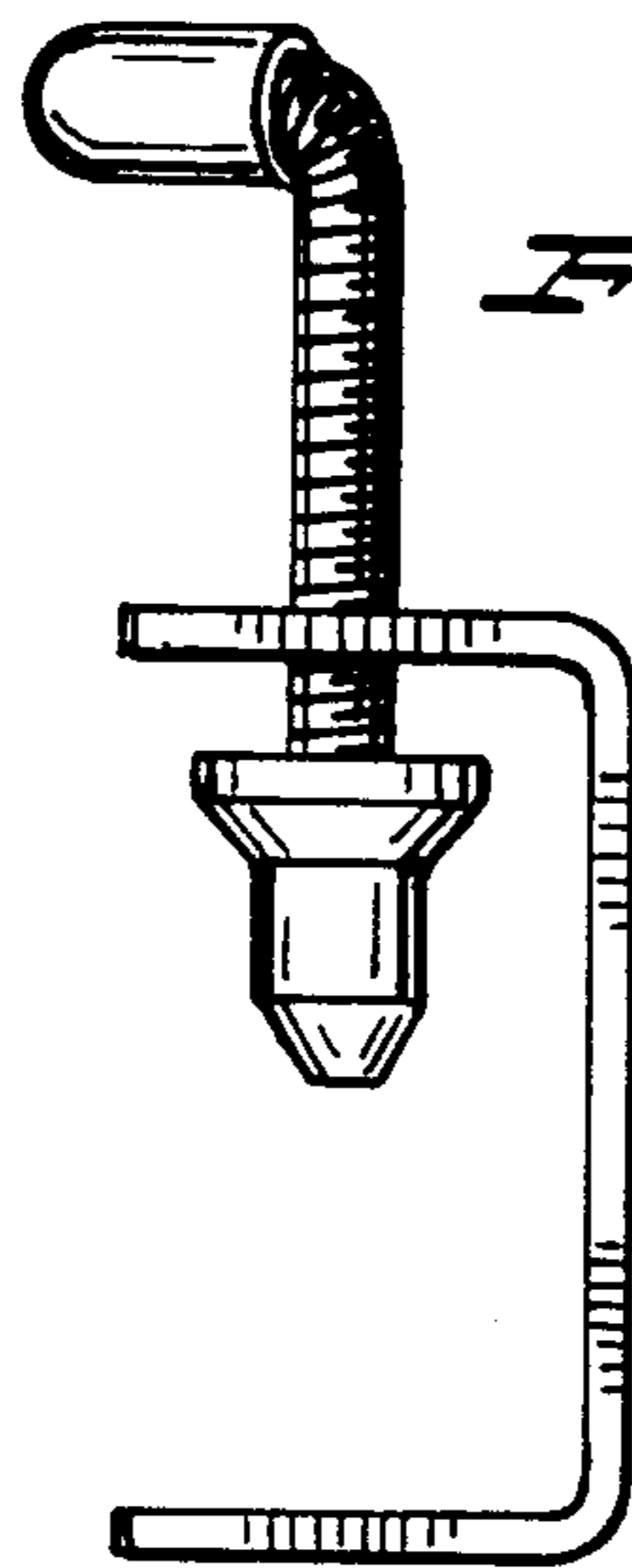
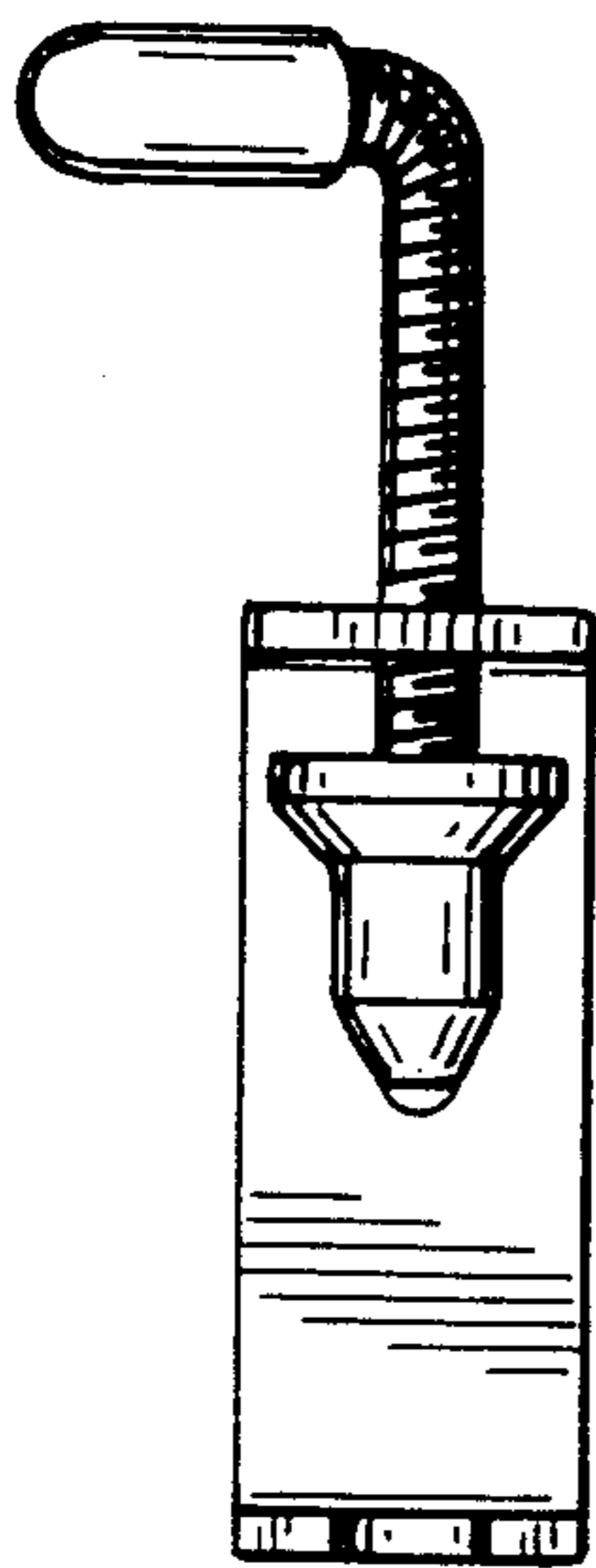


FIG. 3

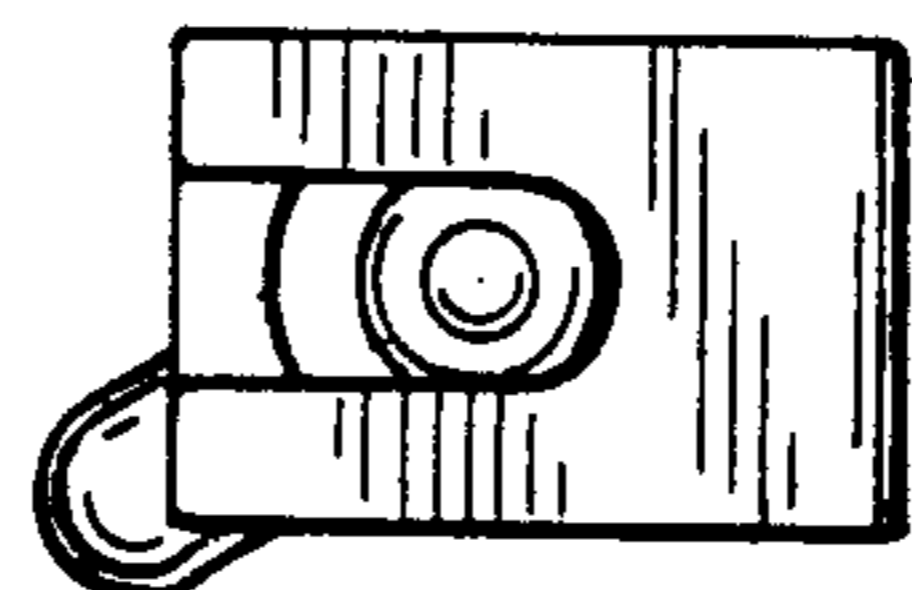
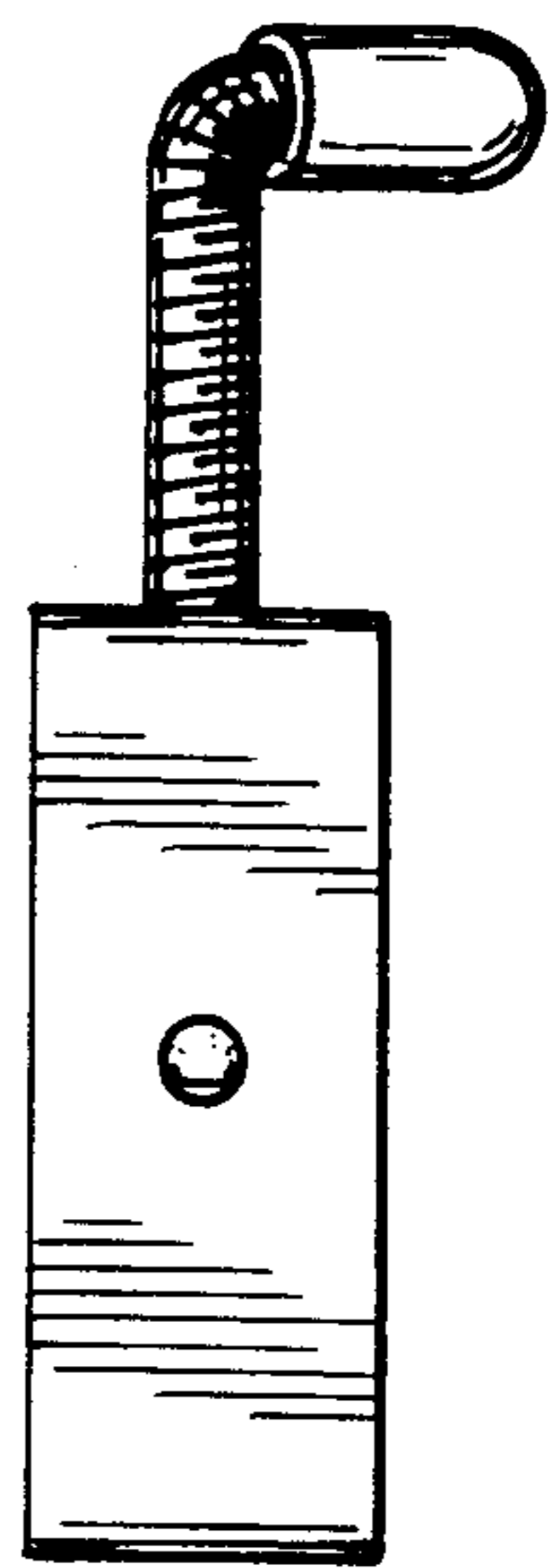


FIG. 6