

[54] **STYLOGRAPHIC PEN**

[75] Inventors: **Gerold Anderka**, Ellerbek; **Ulrich Reif**, Duesseldorf; **Herbert Wolder**, Hamburg, all of Fed. Rep. of Germany

[73] Assignee: **Koh-I-Noor Rapidograph, Inc.**, Bloomsbury, N.J.

[**] Term: **14 Years**

[21] Appl. No.: **770,490**

[22] Filed: **Feb. 22, 1977**

[30] **Foreign Application Priority Data**

Aug. 26, 1976 [DE] Fed. Rep. of Germany 10292

[51] Int. Cl. **D19-06**

[52] U.S. Cl. **D19/43; D19/49**

[58] Field of Search **D19/35, 36, 41-51, D19/54-57; 401/259, 260**

[56] **References Cited**

U.S. PATENT DOCUMENTS

D. 131,281	2/1942	Bauer	D19/56
D. 189,803	2/1961	Riepe	D19/57
227,416	5/1980	Cross	401/259
D. 234,225	1/1975	Ito	D19/48
D. 240,032	5/1976	Gomez	D19/49
1,085,714	2/1914	Wallace	401/260

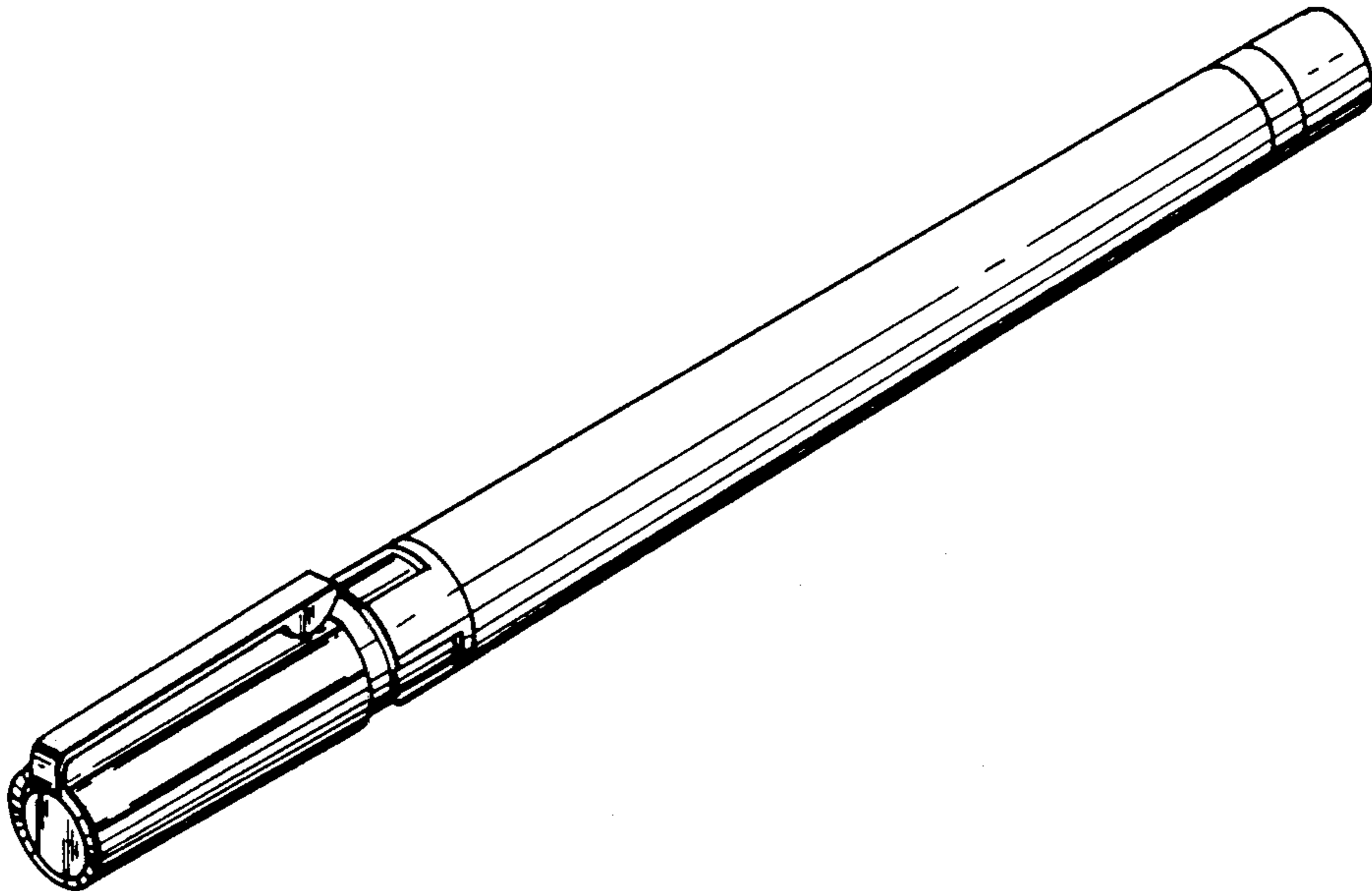
Primary Examiner—Joel Stearman
Assistant Examiner—George P. Word
Attorney, Agent, or Firm—David H. Semmes

[57] **CLAIM**

The ornamental design for a stylographic pen, as shown and described.

DESCRIPTION

FIG. 1 is a side elevational view of a stylographic pen showing our new design in an exploded condition, the opposite side being substantially a mirror image thereof; FIG. 2 is a perspective view of the stylographic pen, with the cap in place; FIG. 3 is a vertical cross-sectional view taken along the longitudinal axis of FIG. 2; FIG. 4 is a left end elevational view of FIG. 1; and FIG. 5 is a right end elevational view of FIG. 1.



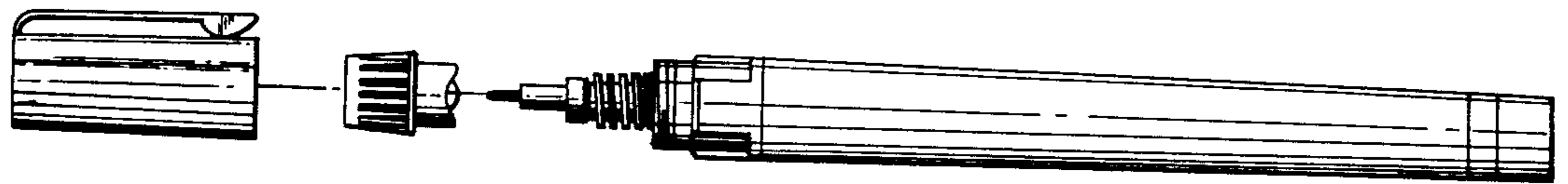


FIG. 1

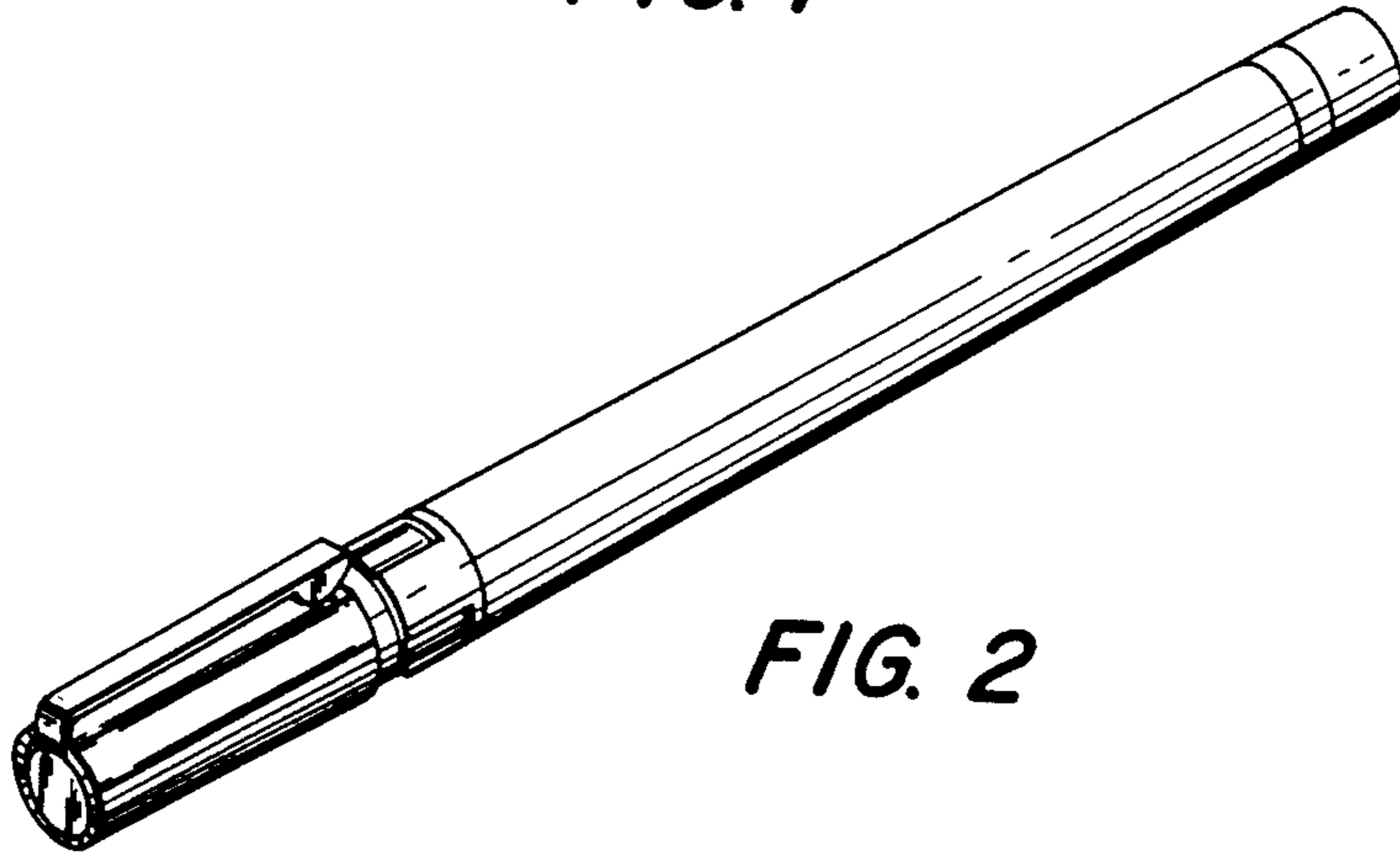


FIG. 2

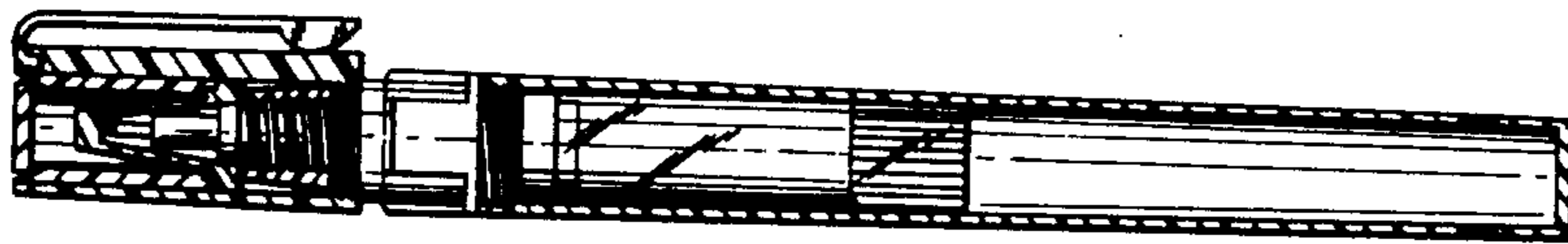


FIG. 3



FIG. 4



FIG. 5