

[54] SOLID STATE RELAY

- [75] Inventor: Howard William Collins, Santa Ana, Calif.
[73] Assignee: International Rectifier Corporation, Los Angeles, Calif.
[**] Term: 14 Years
[21] Appl. No.: 755,355
[22] Filed: Dec. 29, 1976
[51] Int. Cl. D13-33
[52] U.S. Cl. D13/33
[58] Field of Search D13/33; 361/139, 142, 361/160, 206, 357, 331, 392, 417

[56] References Cited

U.S. PATENT DOCUMENTS

3,543,101	11/1970	Yoshimura et al.	361/209 X
3,809,965	5/1974	Groth et al.	361/380
3,824,434	7/1974	Boley et al.	361/142

OTHER PUBLICATIONS

Electronic Design, Dec. 6, 1974, p. 71, Solid State Relay.

Primary Examiner—Susan J. Lucas
Attorney, Agent, or Firm—Sidney G. Faber

[57] CLAIM

The ornamental design for a solid state relay, as shown as described.

DESCRIPTION

FIG. 1 is a perspective view of a solid state relay showing my new design.
FIG. 2 is a top plan view of the solid state relay of FIG. 1.
FIG. 3 is a front elevation view of FIG. 2.
FIG. 4 is a side elevation view of FIG. 2 as seen from the left-hand side thereof.
FIG. 5 is a side elevation view of FIG. 2 as seen from the right-hand side thereof.
FIG. 6 is a bottom plan view of the solid state relay of FIGS. 1 and 2.

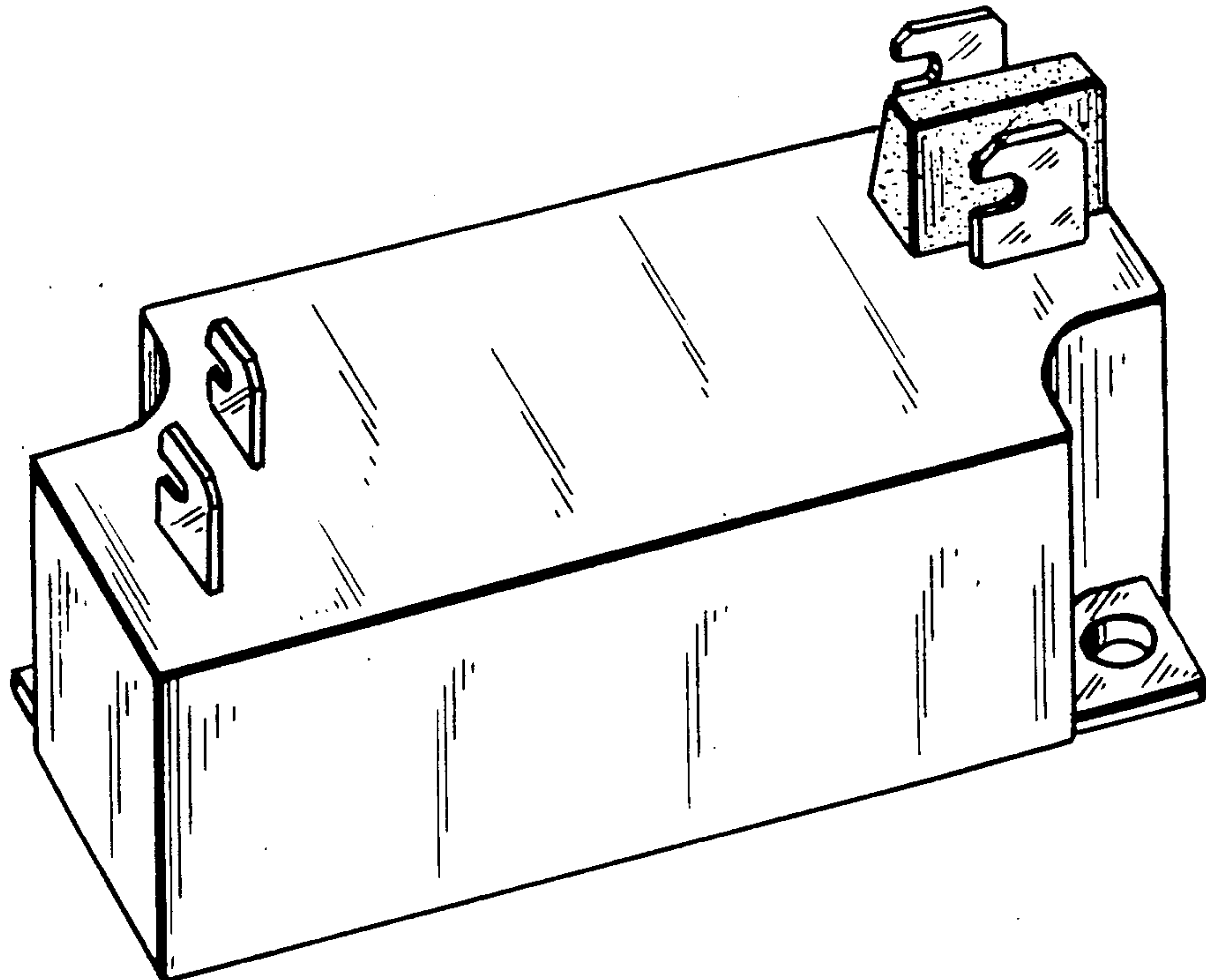


FIG. 1.

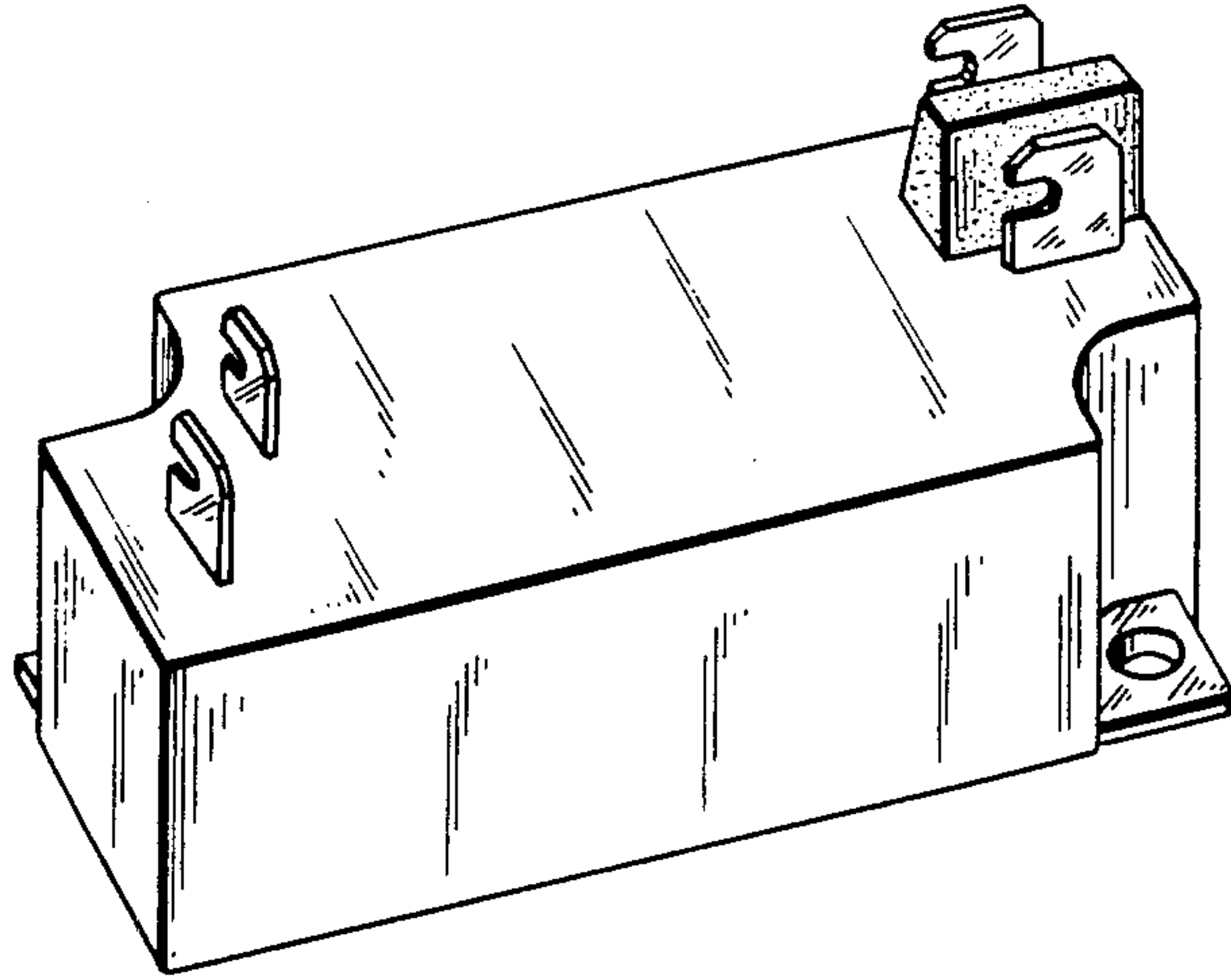


FIG. 2.

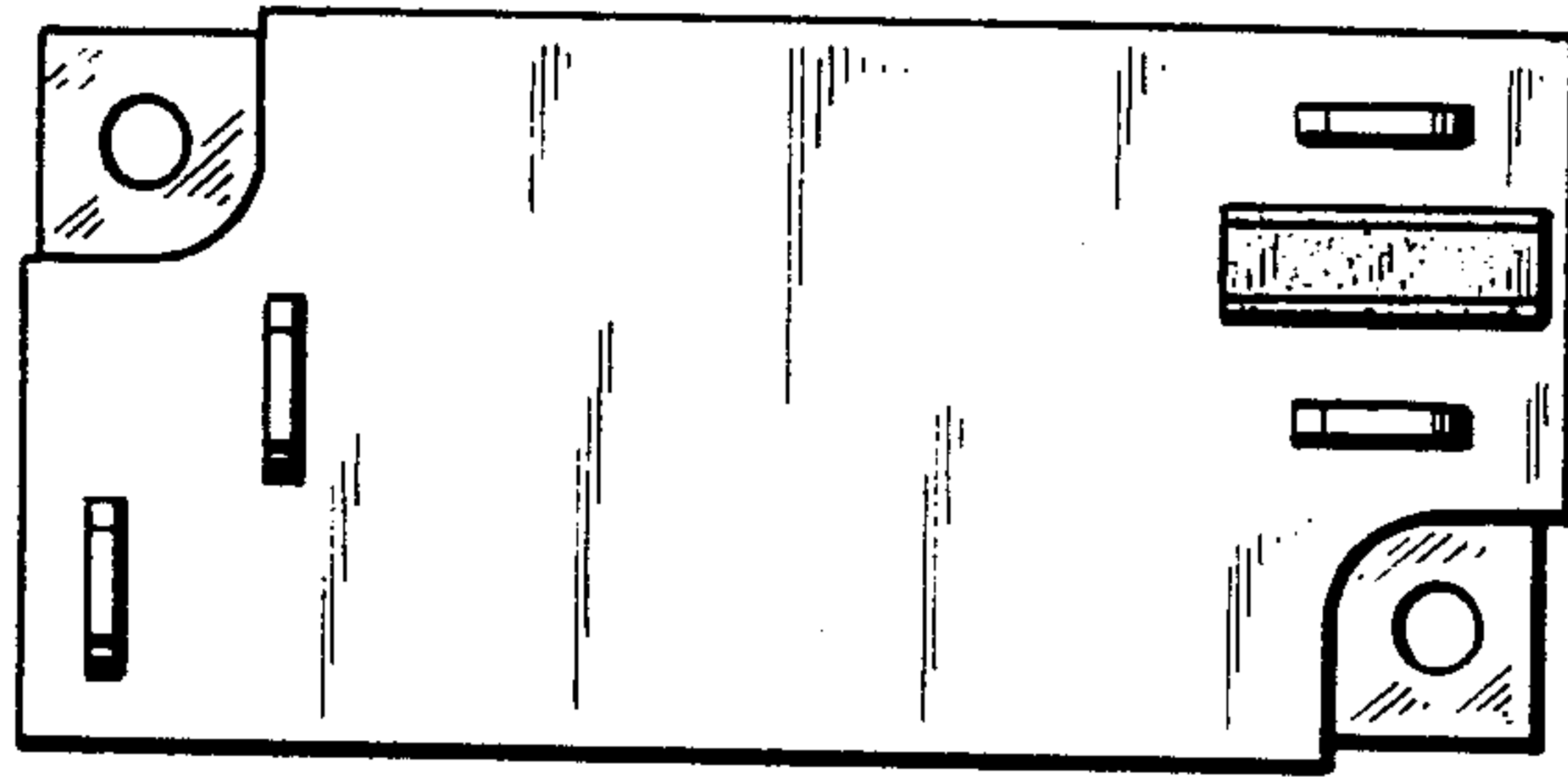


FIG. 4.

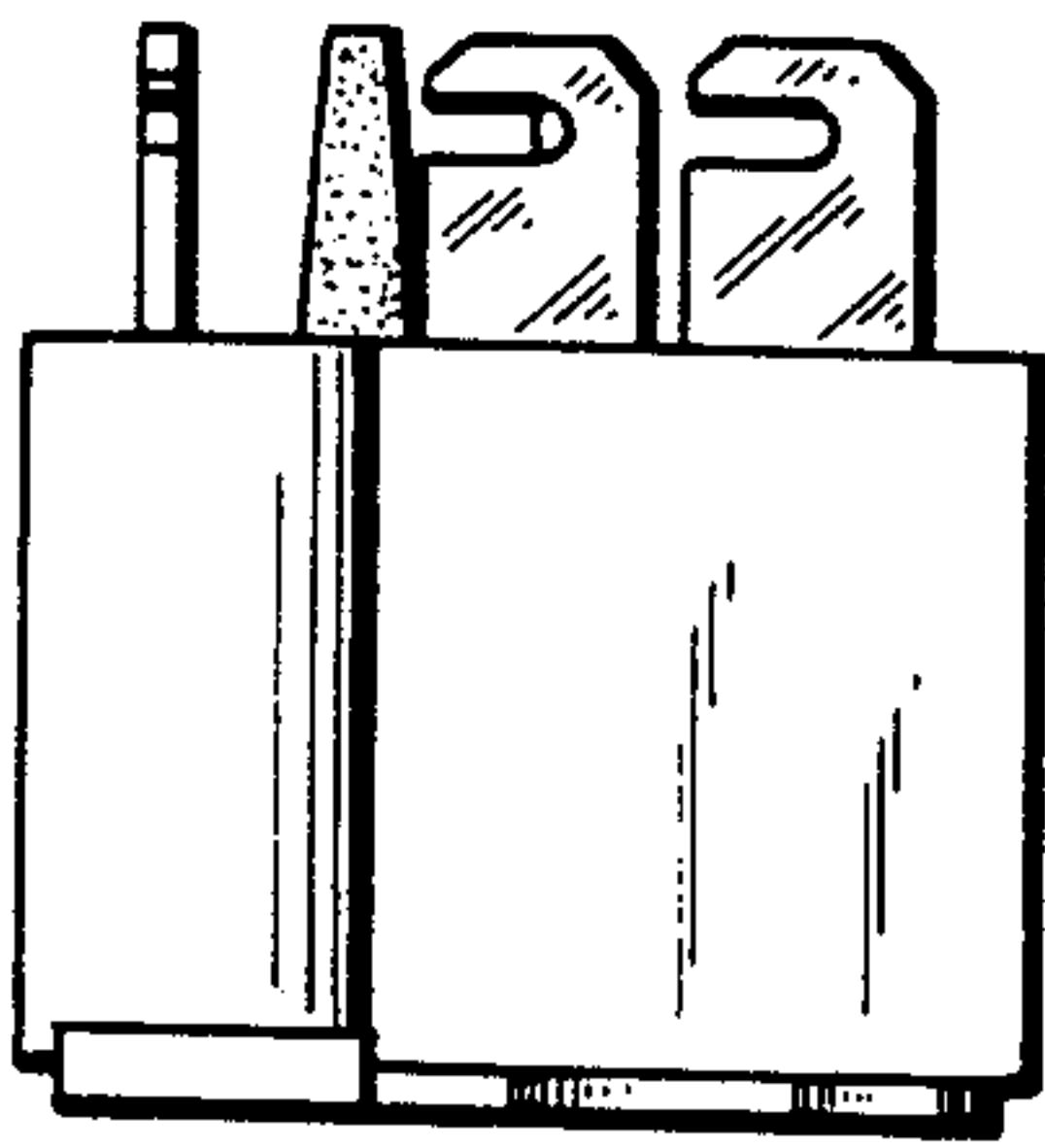


FIG. 3.

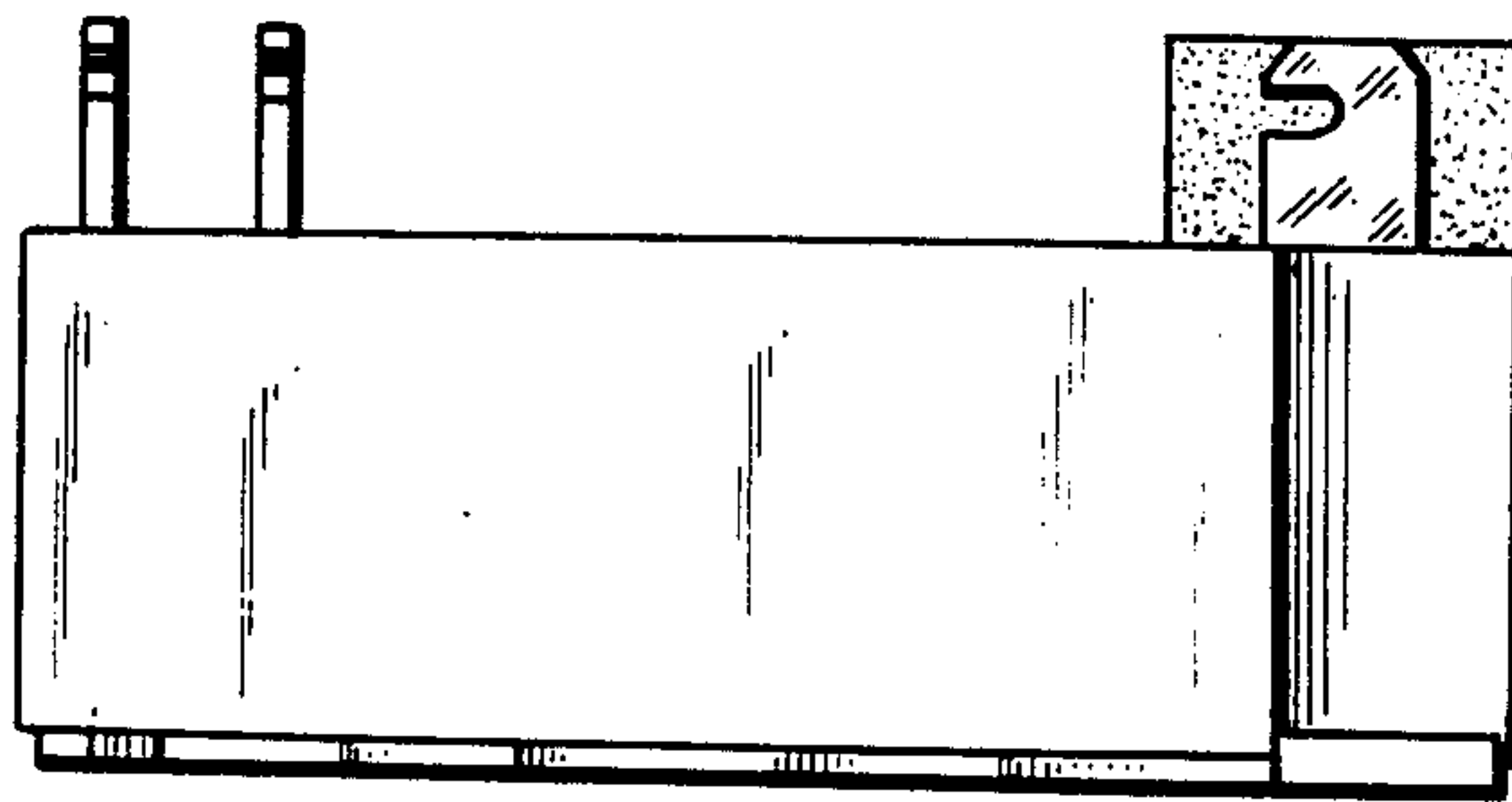


FIG. 5.

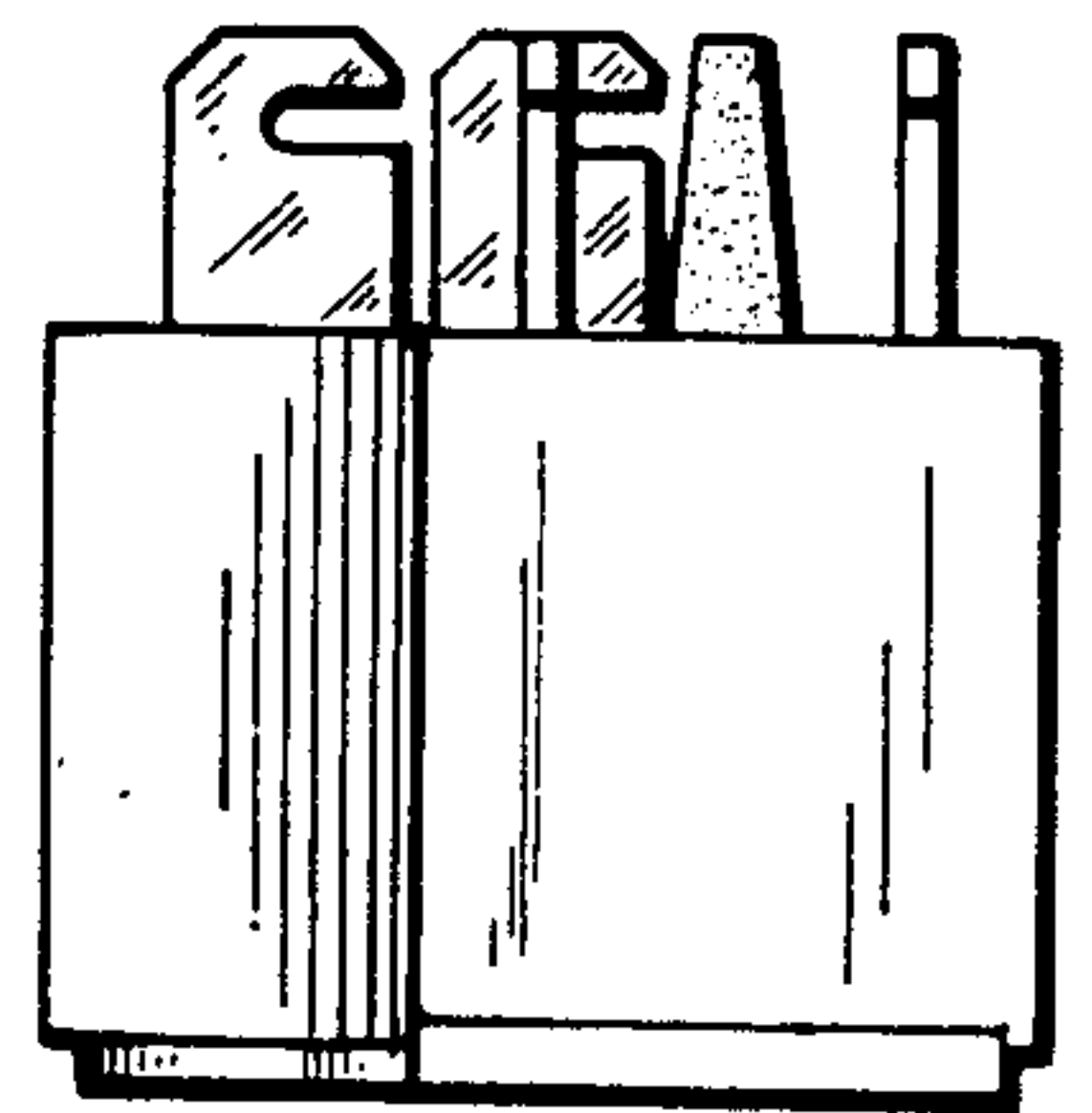


FIG. 6.

