

[54] COCKTAIL TABLE

[76] Inventor: Joseph E. Adkinson, 3807 Leland St., Chevy Chase, Md. 20015

[**] Term: 14 Years

[21] Appl. No.: 758,681

[22] Filed: Jan. 12, 1977

[51] Int. Cl. D6-03

[52] U.S. Cl. D6/175; D6/179

[58] Field of Search D6/20, 27, 147-149, D6/173, 175, 177-179

[56] References Cited

U.S. PATENT DOCUMENTS

- D. 157,748 3/1950 Fox et al. D6/177
- D. 225,951 1/1973 Kienel D6/177

- D. 231,967 7/1974 Webb D6/177
- D. 237,130 10/1975 Giovanni D6/179 X
- D. 244,417 5/1977 Pratt D6/175
- D. 244,900 7/1977 Waxman D6/179

Primary Examiner—Bruce W. Dunkins
Attorney, Agent, or Firm—Laurence R. Brown

[57] CLAIM

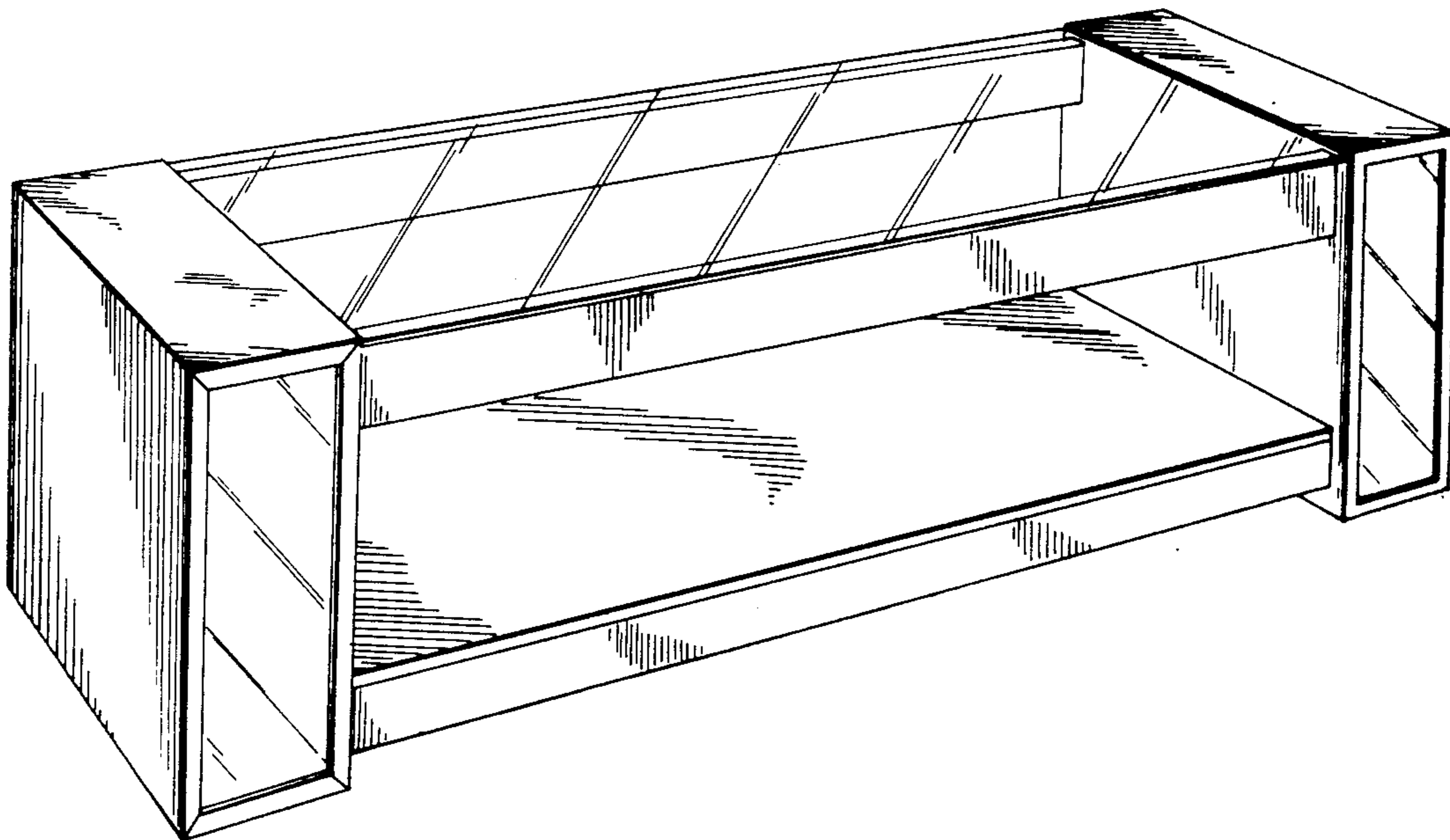
The ornamental design for a cocktail table or the like, substantially as shown and described.

DESCRIPTION

FIG. 1 is a view in perspective of the cocktail table showing my new design;

FIG. 2 is a view in top plan of the cocktail table of FIG. 1; and

FIG. 3 is a view in side elevation of the cocktail table of FIG. 1, the opposite side being identical thereto and both ends being identical.



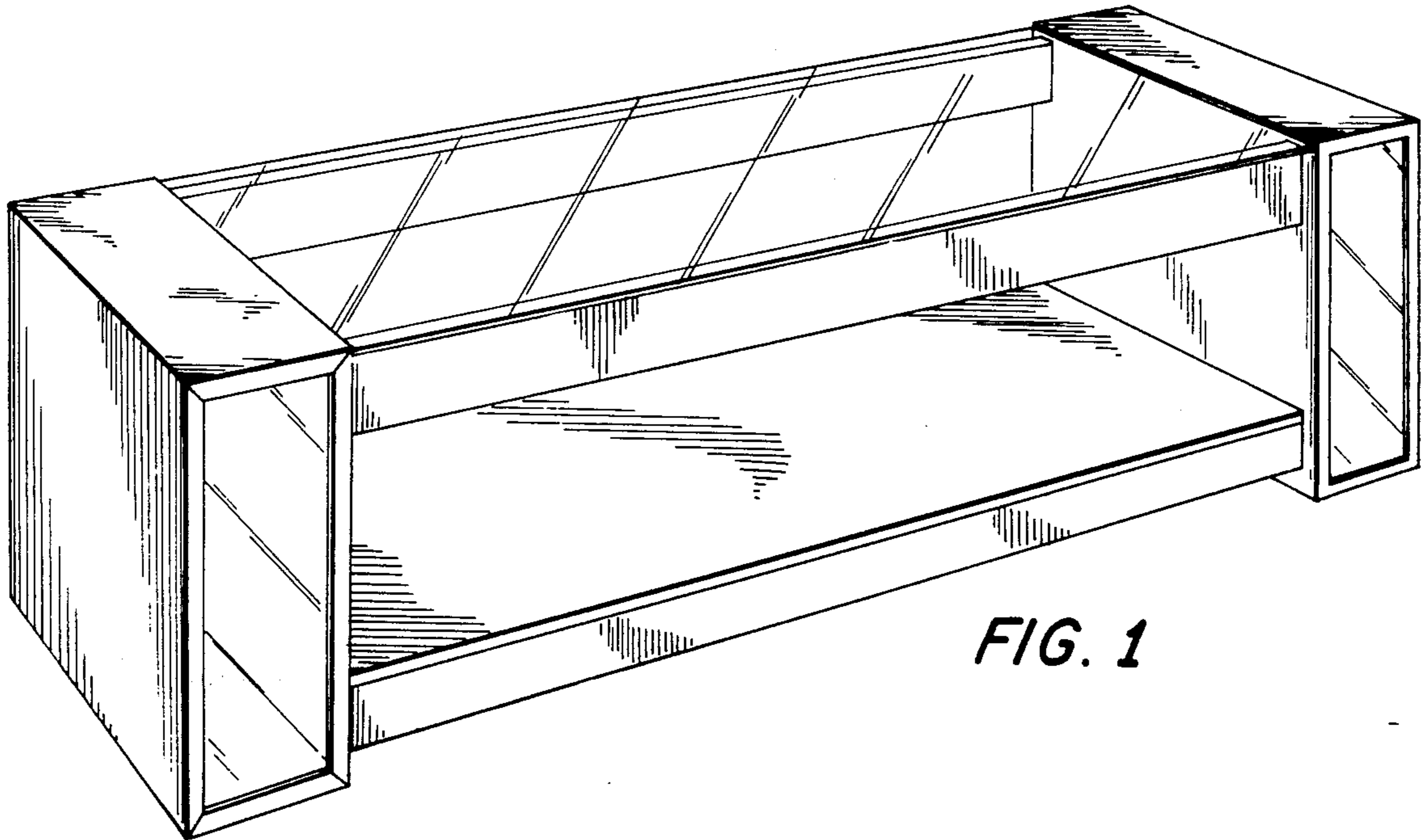


FIG. 1

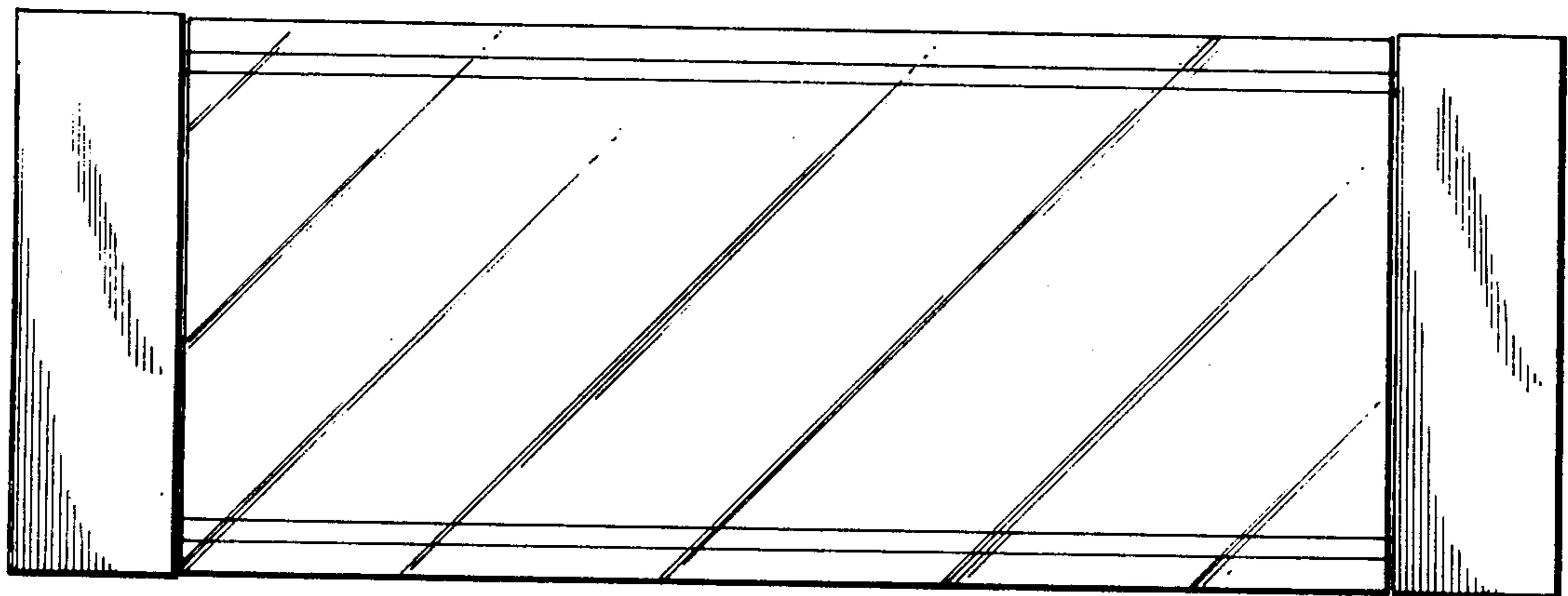


FIG. 2

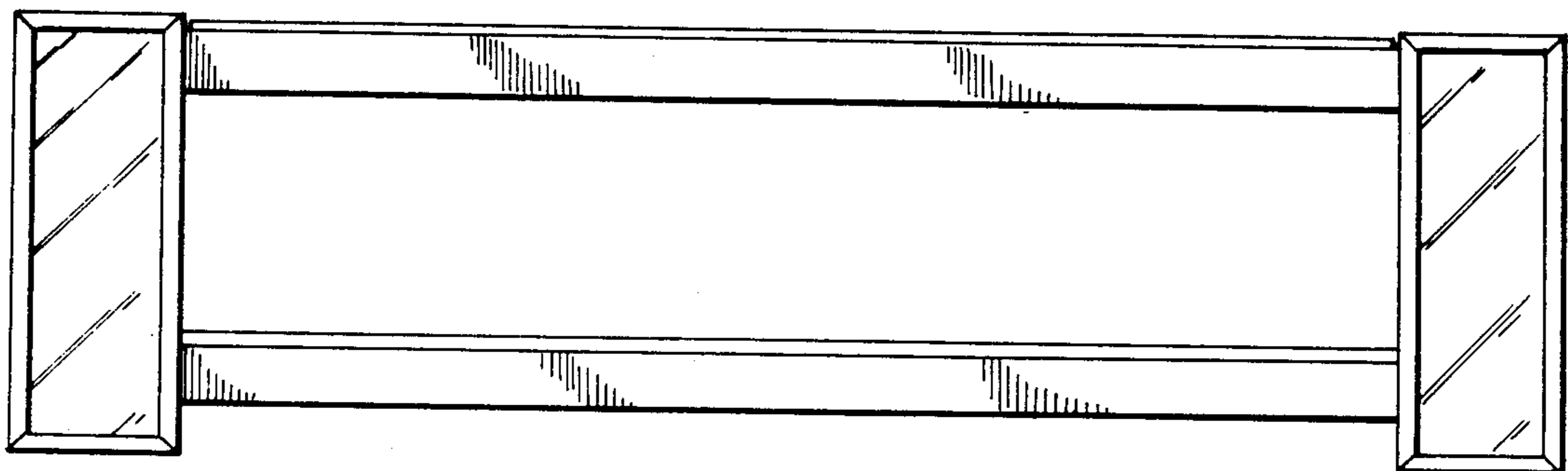


FIG. 3