

[54] CIRCULAR TABLE

[76] Inventor: Kevin Charles Levell, 1570 N. Edgemont St., Los Angeles, Calif. 90027

[\*\*] Term: 3½ Years

[21] Appl. No.: 710,677

[22] Filed: Aug. 2, 1976

[51] Int. Cl. .... D6—03

[52] U.S. Cl. .... D6/148; D6/172

[58] Field of Search ..... D6/175, 177, 178, 179, D6/146, 27, 147

[56] References Cited

PUBLICATIONS

Sears Roebuck & Co. Cat., F&W 1942-1943, p. 771A, table No. 3535 lower left.

Interiors, 10-1967, p. 161, table top left.

Berkline Catalog, section 6, table No. 780-92-1.

Primary Examiner—Bruce W. Dunkins

Attorney, Agent, or Firm—Howard A. Silber

[57] CLAIM

The ornamental design for a circular table, substantially as shown.

DESCRIPTION

FIG. 1 is a perspective view of a circular table incorporating my new design, as seen from the front and slightly above the top thereof.

FIG. 2 is a front view of a circular table incorporating my new design. Due to the symmetry of the design, the right and left side views and the rear view are identical to FIG. 2.

FIG. 3 is a bottom view of the circular table of FIGS. 1 and 4.

FIG. 4 is a front view (of which the side and rear views are identical) of another embodiment of my circular table design incorporating the same inventive concept as that of FIG. 1.

FIG. 5 is a top view of the circular table of FIG. 4.

FIG. 6 is a front perspective view of another embodiment of my circular table design incorporating the same inventive concept as that of FIG. 1.

FIG. 7 is a bottom view of the circular table of FIG. 6.

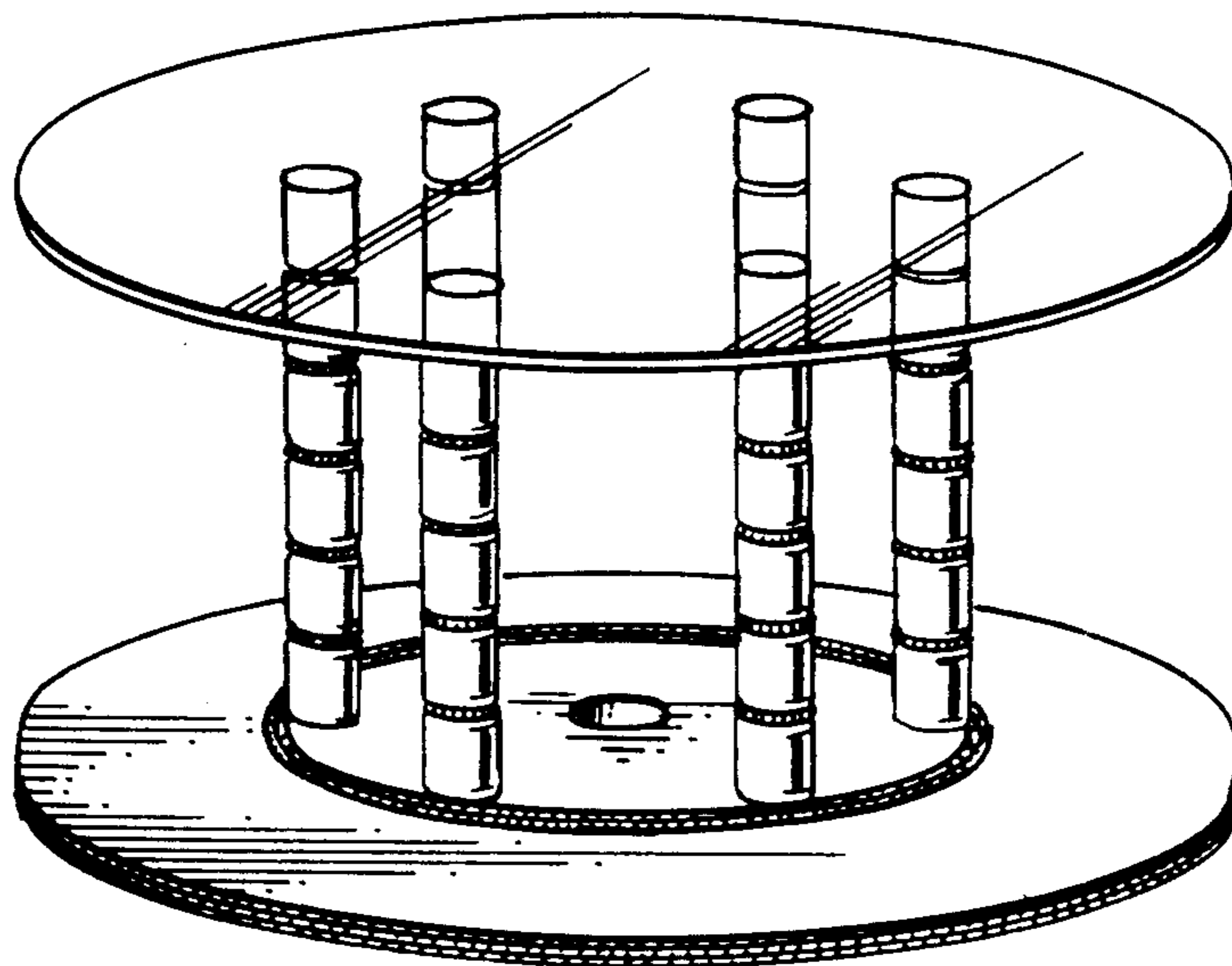


FIG. 1

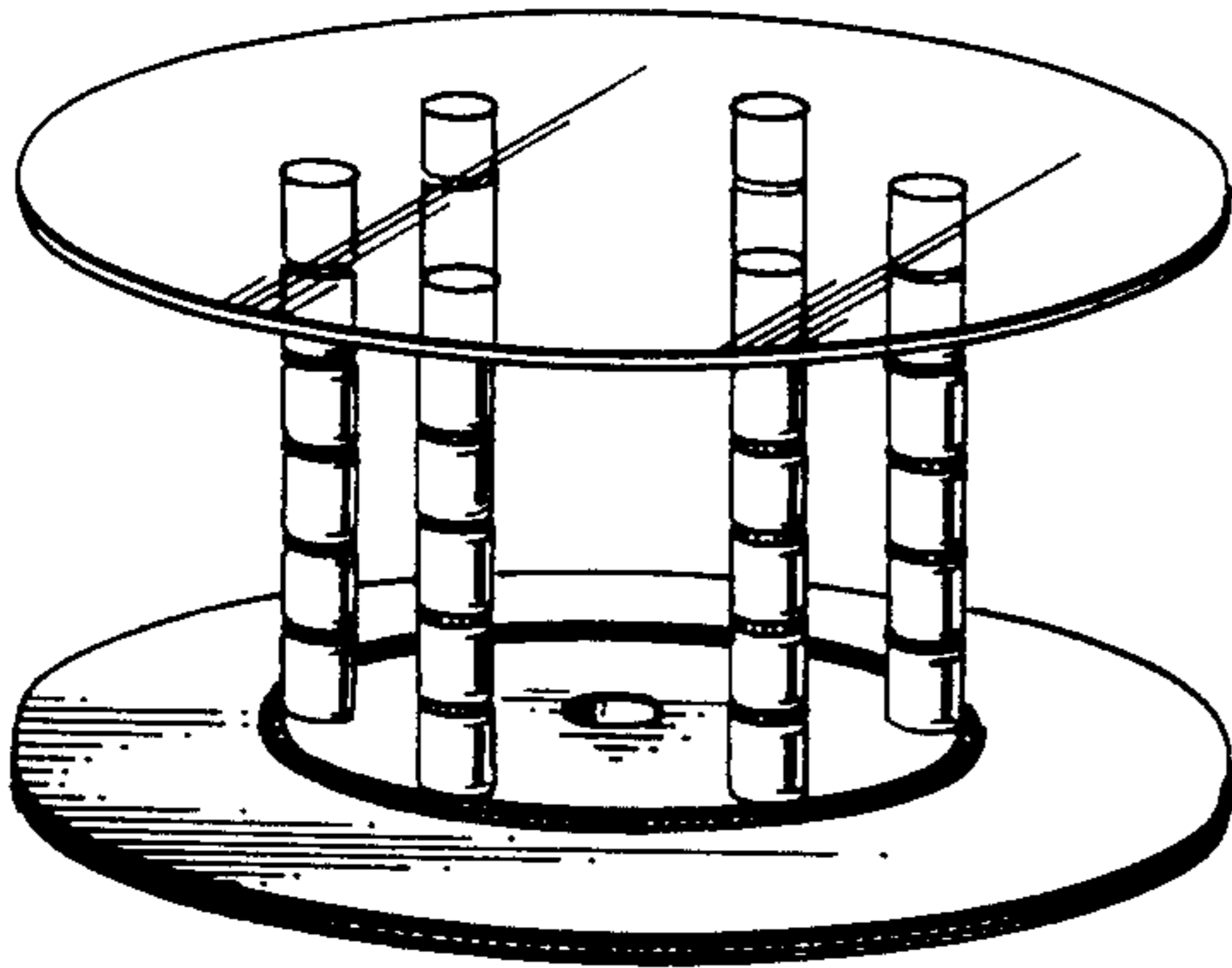


FIG. 2

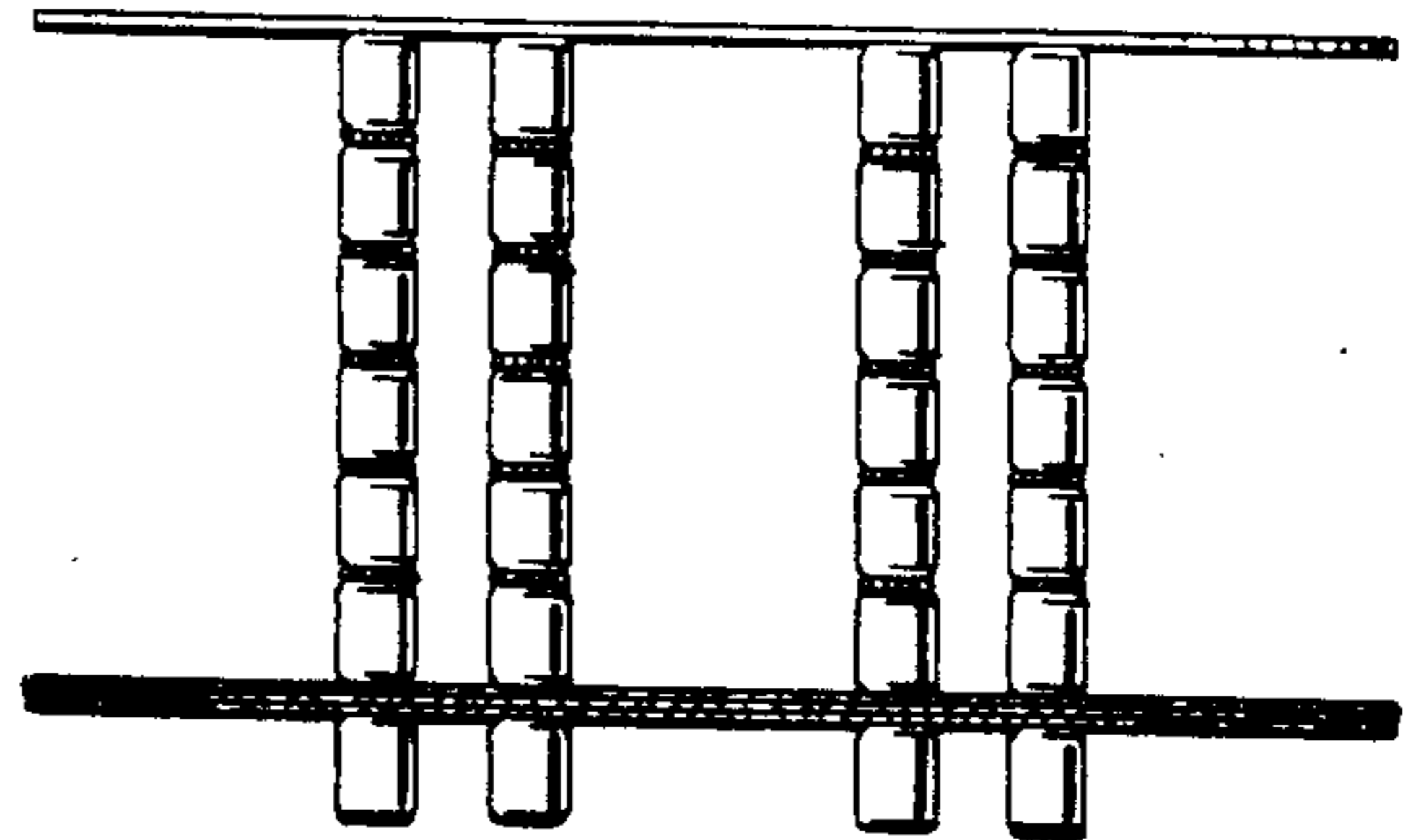


FIG. 3

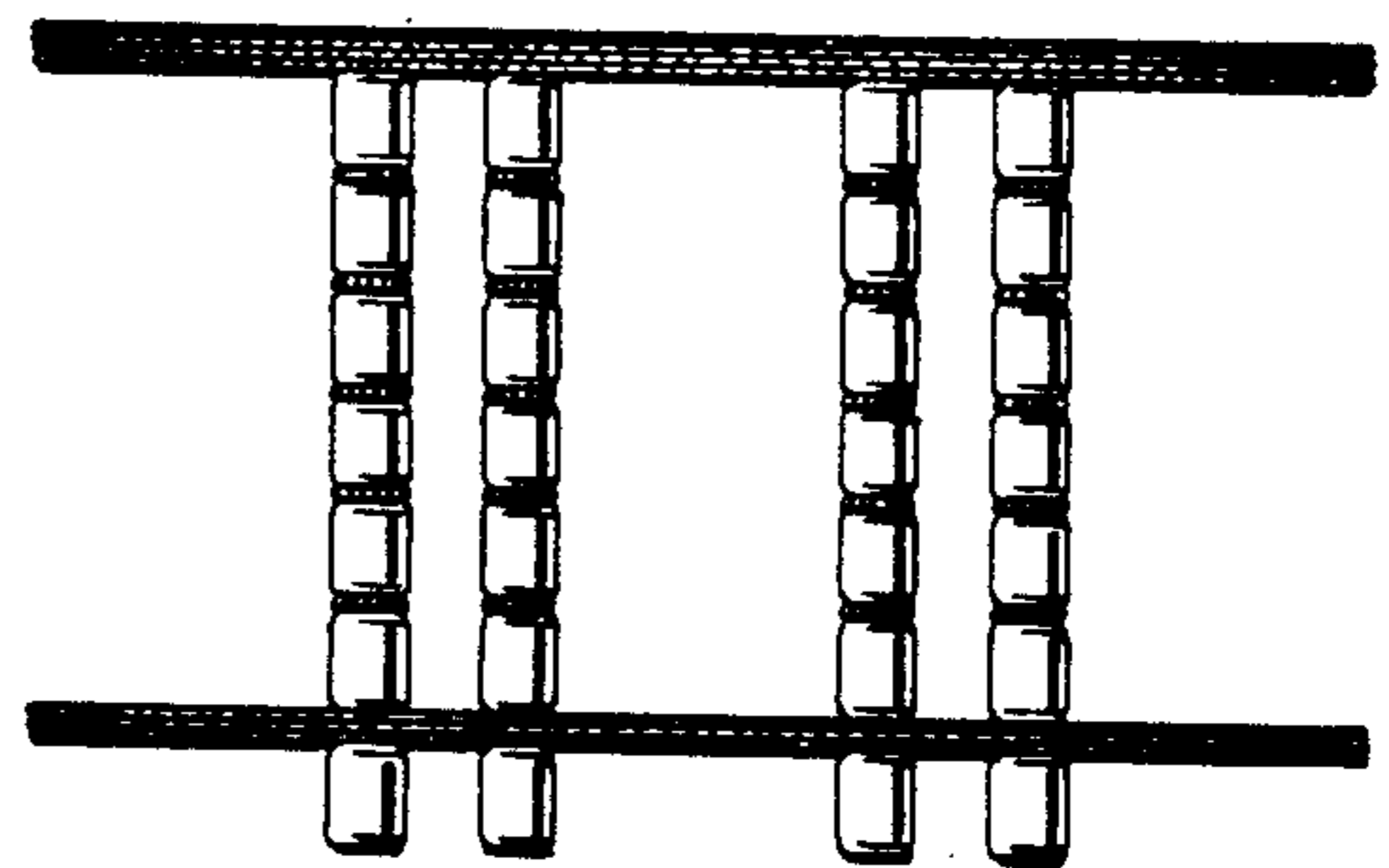
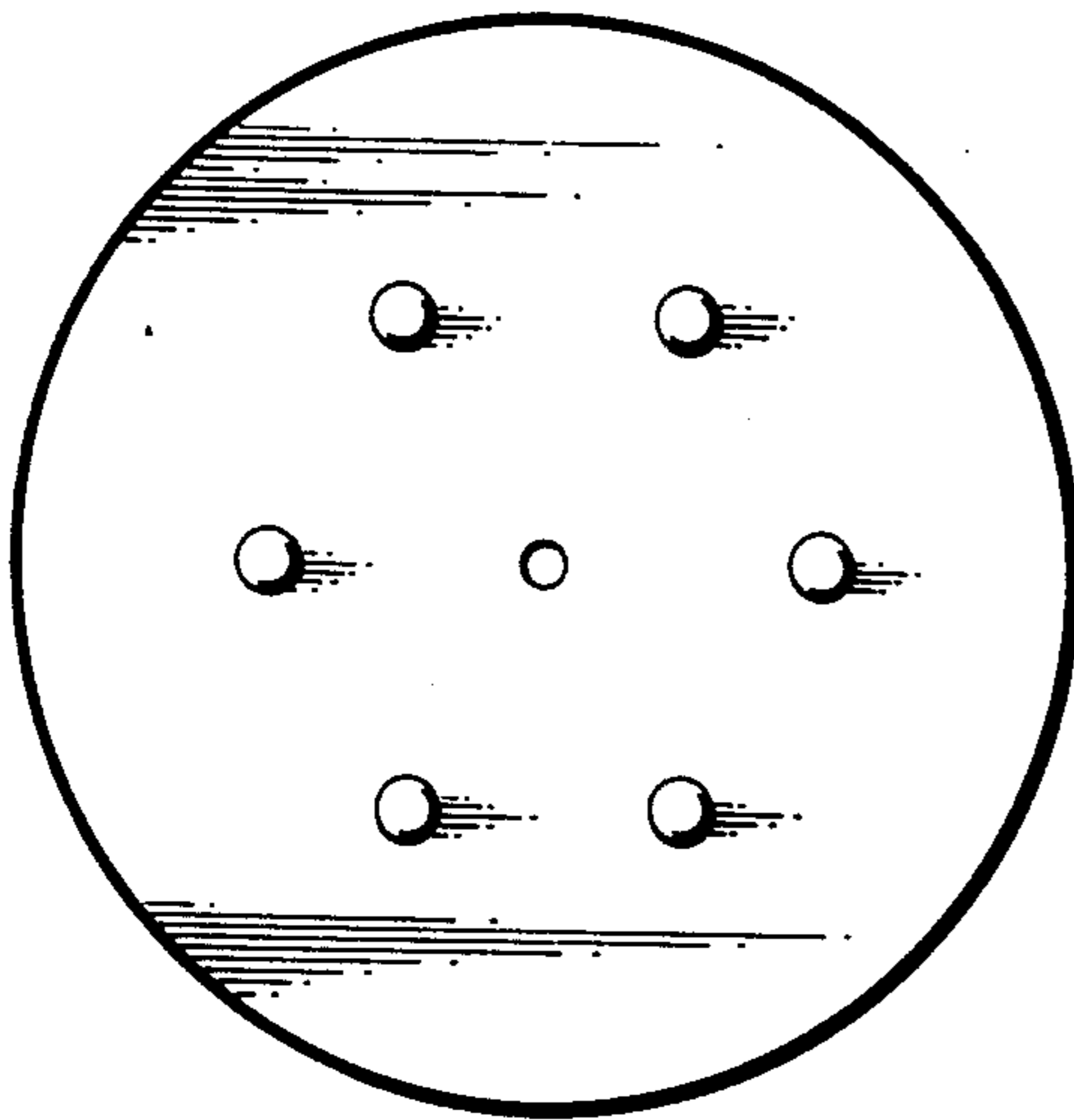


FIG. 4

FIG. 5

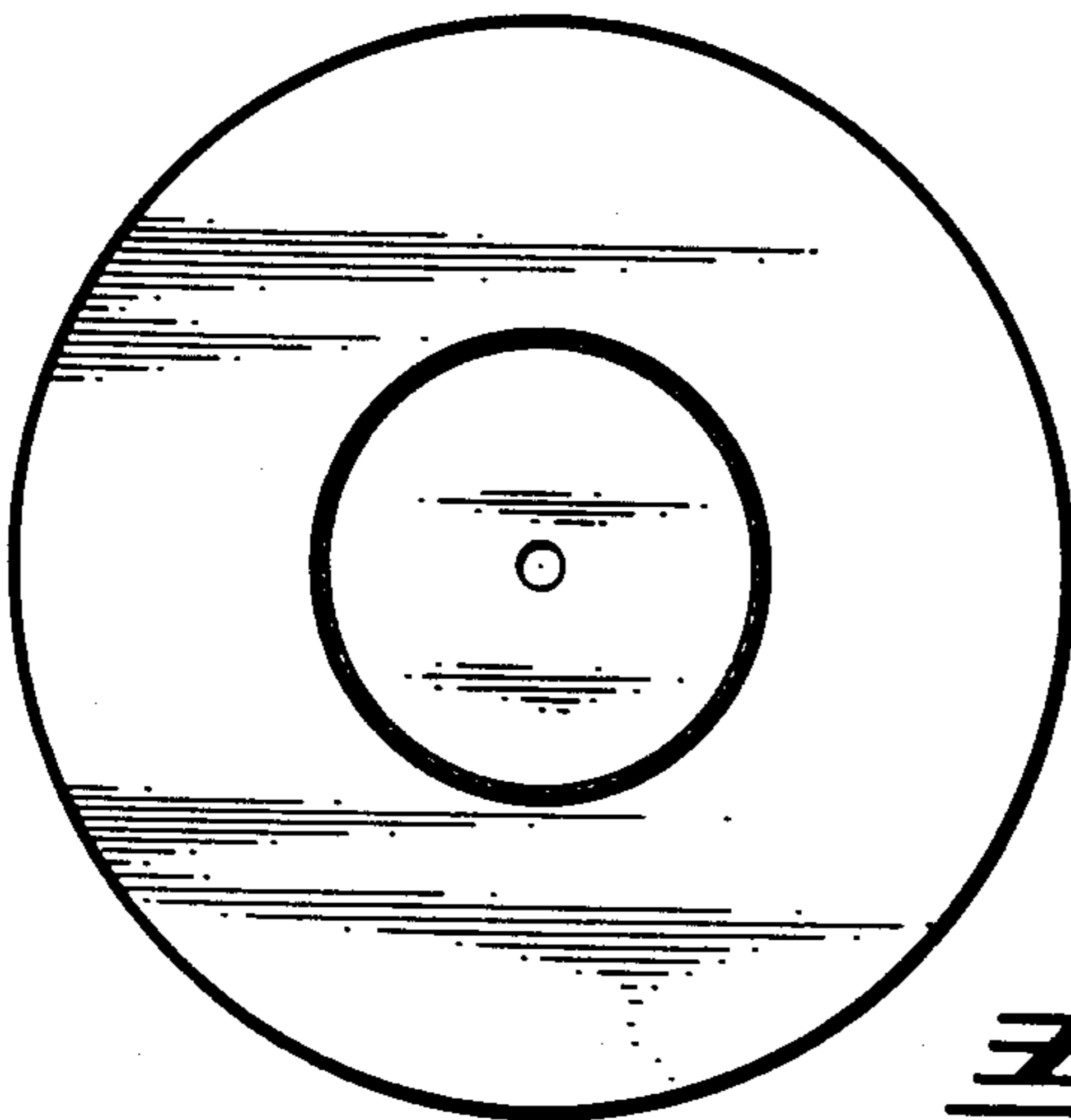


FIG. 6

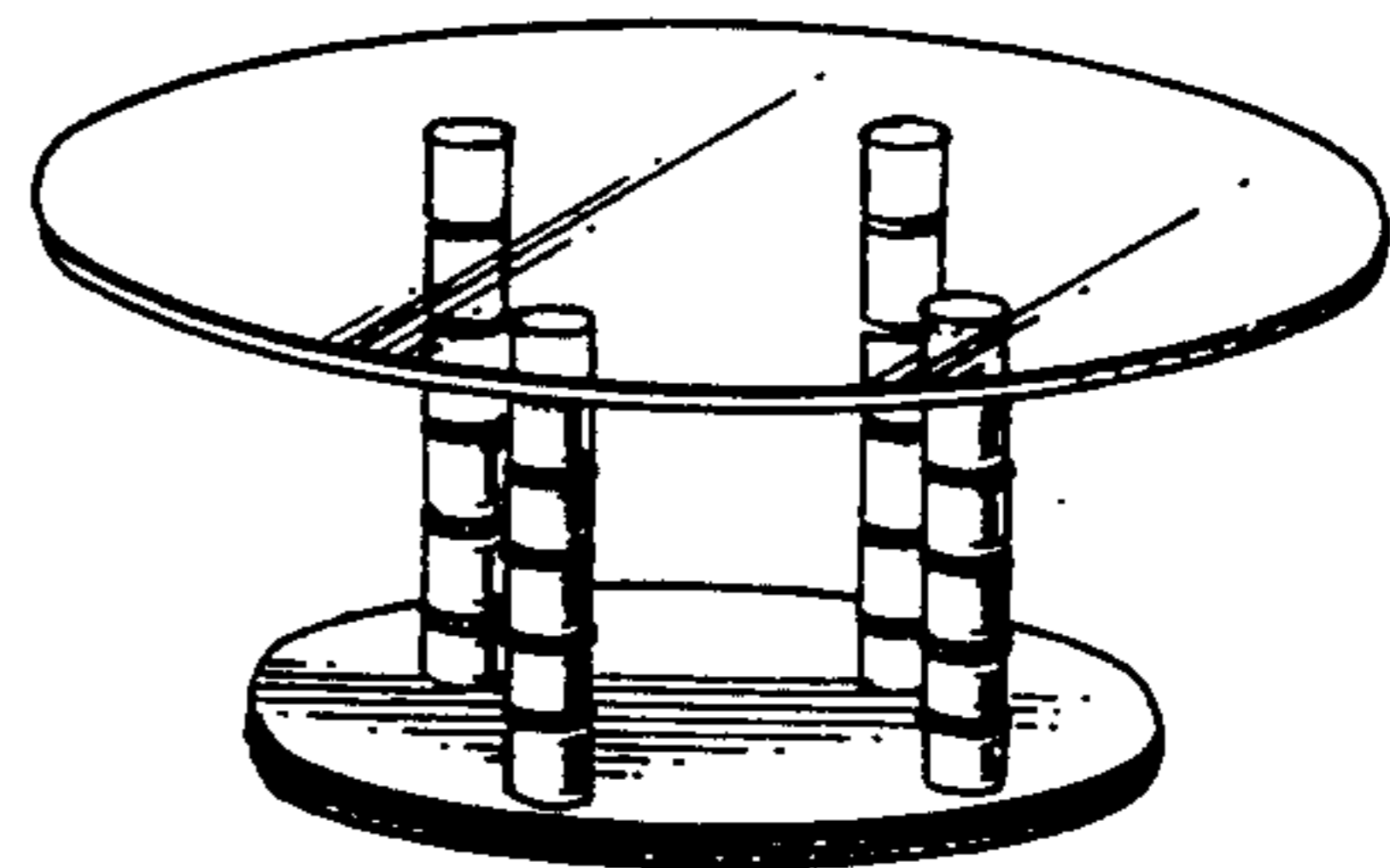


FIG. 7

