

[54] **CHAIR**
 [76] Inventor: **Steven Douglas Gageby**, 12 Hay Camp Rd., North Oaks, Minn. 55110
 [**] Term: **14 Years**
 [21] Appl. No.: **712,907**
 [22] Filed: **Aug. 9, 1976**
 [51] Int. Cl. **D6—01**
 [52] U.S. Cl. **D6/56; D6/67**
 [58] Field of Search **D6/26, 29, 30, 31, 37, D6/38, 47, 56, 57, 61, 63, 67, 66, 69, 70, 73, 75, 78**

D. 238,636 2/1976 Olson et al. D6/67
 3,972,559 8/1976 Anacker D6/69 X

Primary Examiner—Bruce W. Dunkins
Attorney, Agent, or Firm—Steven Douglas Gageby

[57] **CLAIM**

The ornamental design for a chair, as shown and described.

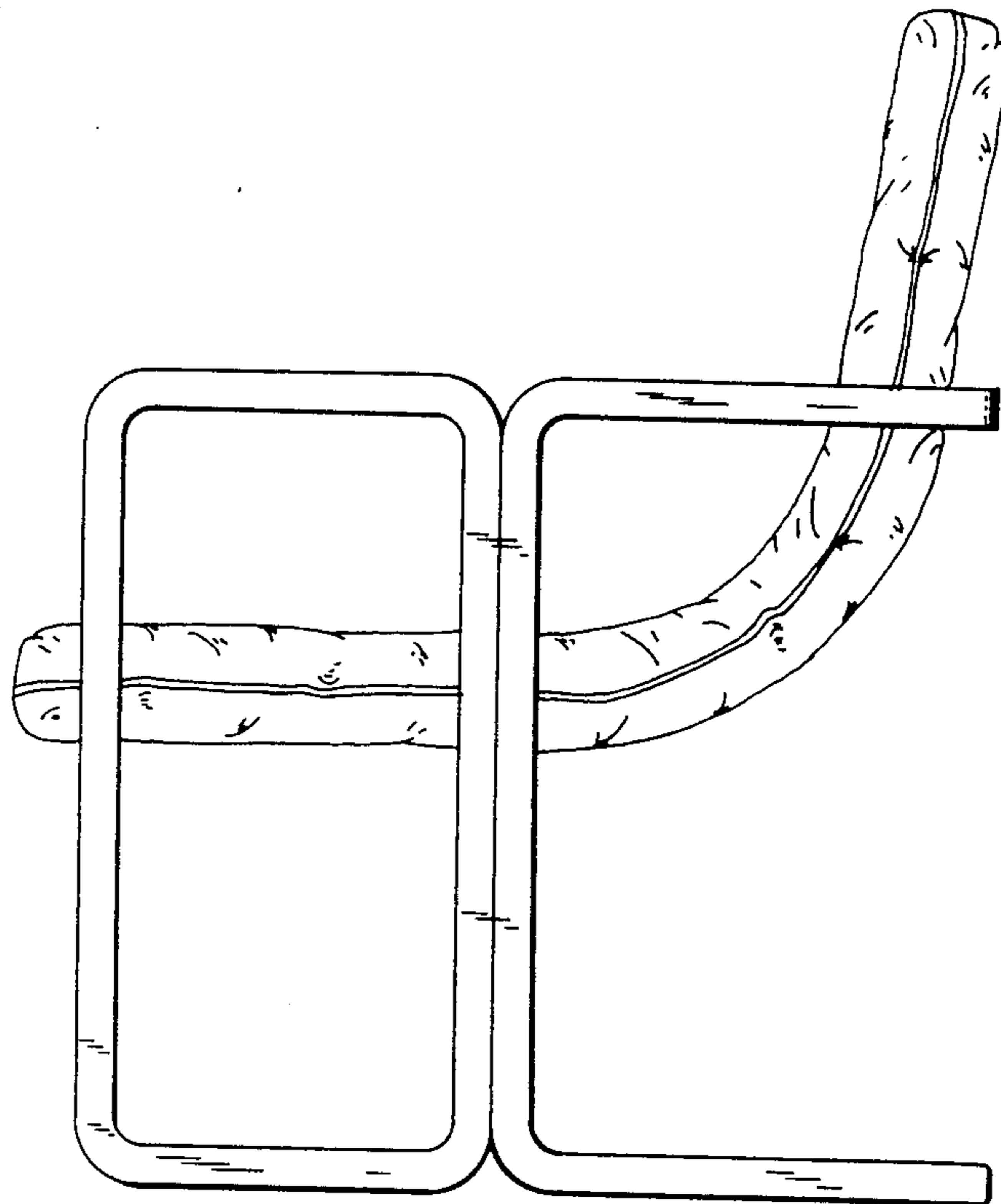
DESCRIPTION

FIG. 1 is a side elevation view of a chair showing my new design, the undisclosed side being substantially identical with the side shown;
 FIG. 2 is a front elevation view thereof;
 FIG. 3 is a rear elevation view thereof;
 FIG. 4 is a top view of my new design;
 FIG. 5 is an enlarged cross-section taken on line 5—5 of FIG. 2;
 FIG. 6 is a cross-section taken on line 6—6 of FIG. 2;
 FIG. 7 is a second embodiment of FIG. 1;
 FIG. 8 is a third embodiment of FIG. 1;
 FIG. 9 is a fourth embodiment of FIG. 1; and
 FIG. 10 is a fifth embodiment of FIG. 1.

[56] **References Cited**

U.S. PATENT DOCUMENTS

D. 90,572	8/1933	Brown	D6/56
D. 147,935	11/1947	Sundberg	D6/69
D. 217,345	4/1970	Pitt	D6/69
D. 227,056	6/1973	Fisher	D6/73
D. 233,968	12/1974	Morrison et al.	D6/69 X
D. 238,224	12/1975	Reenskaug	D6/73



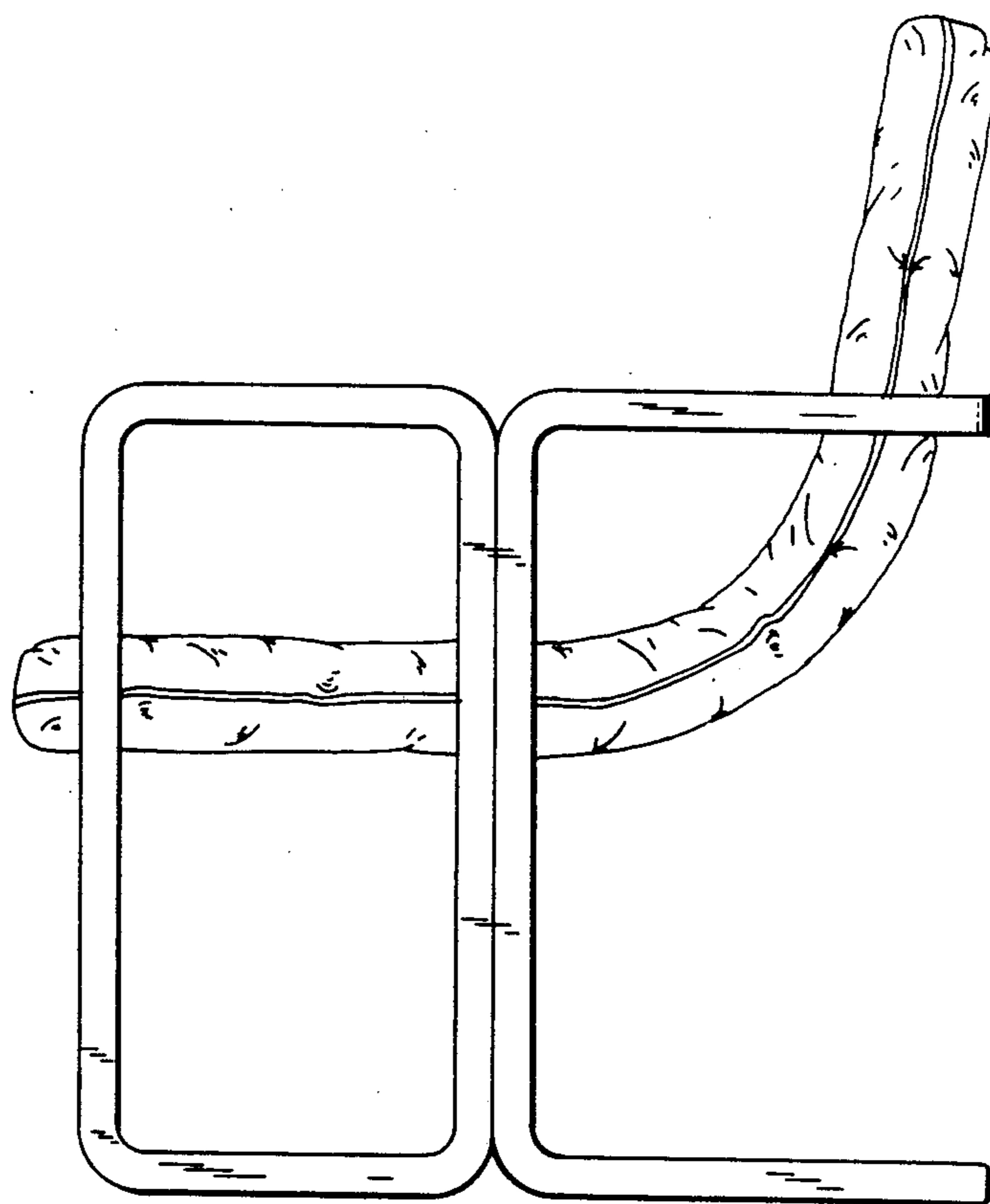


FIG. 1

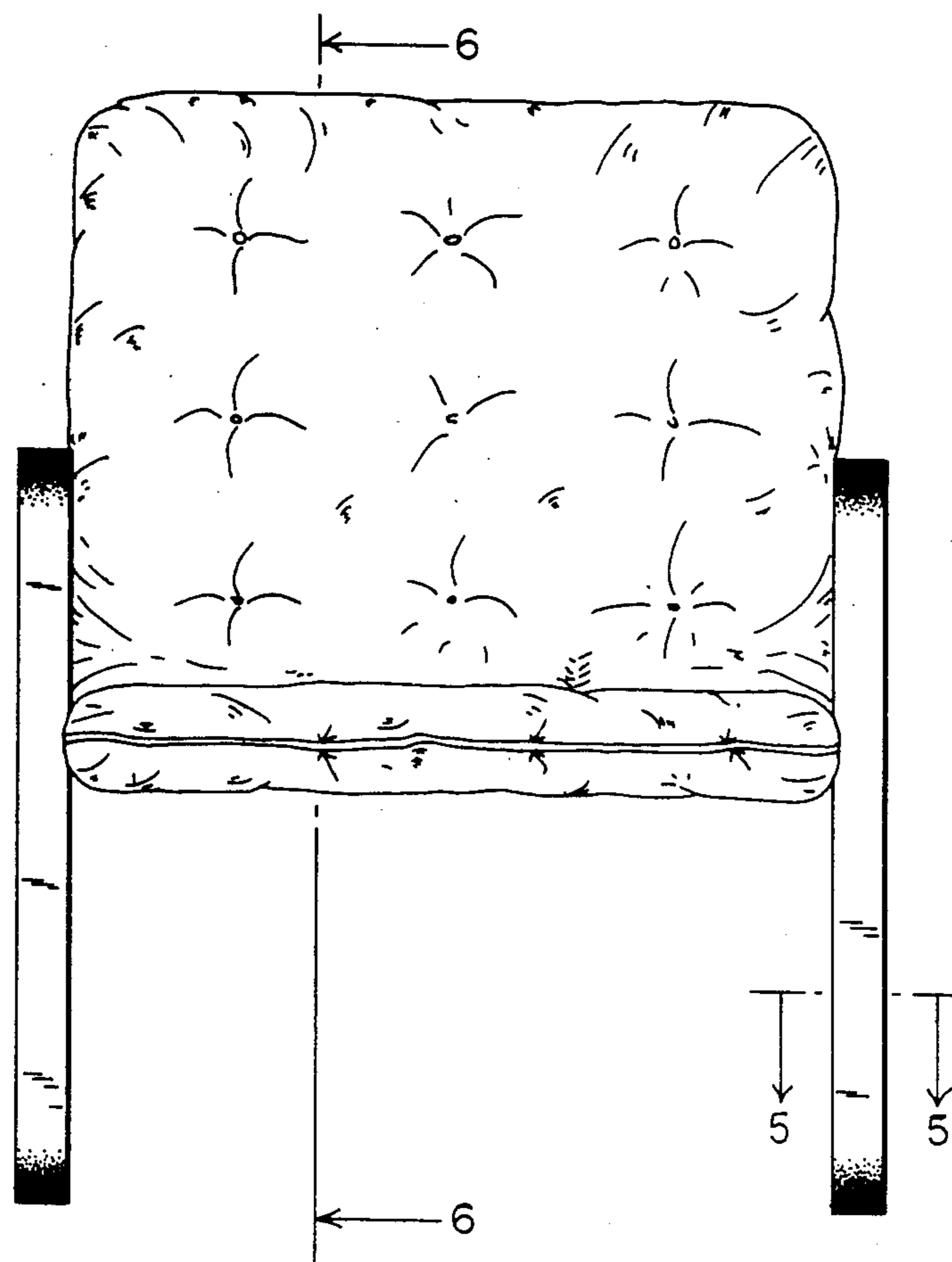


FIG. 2

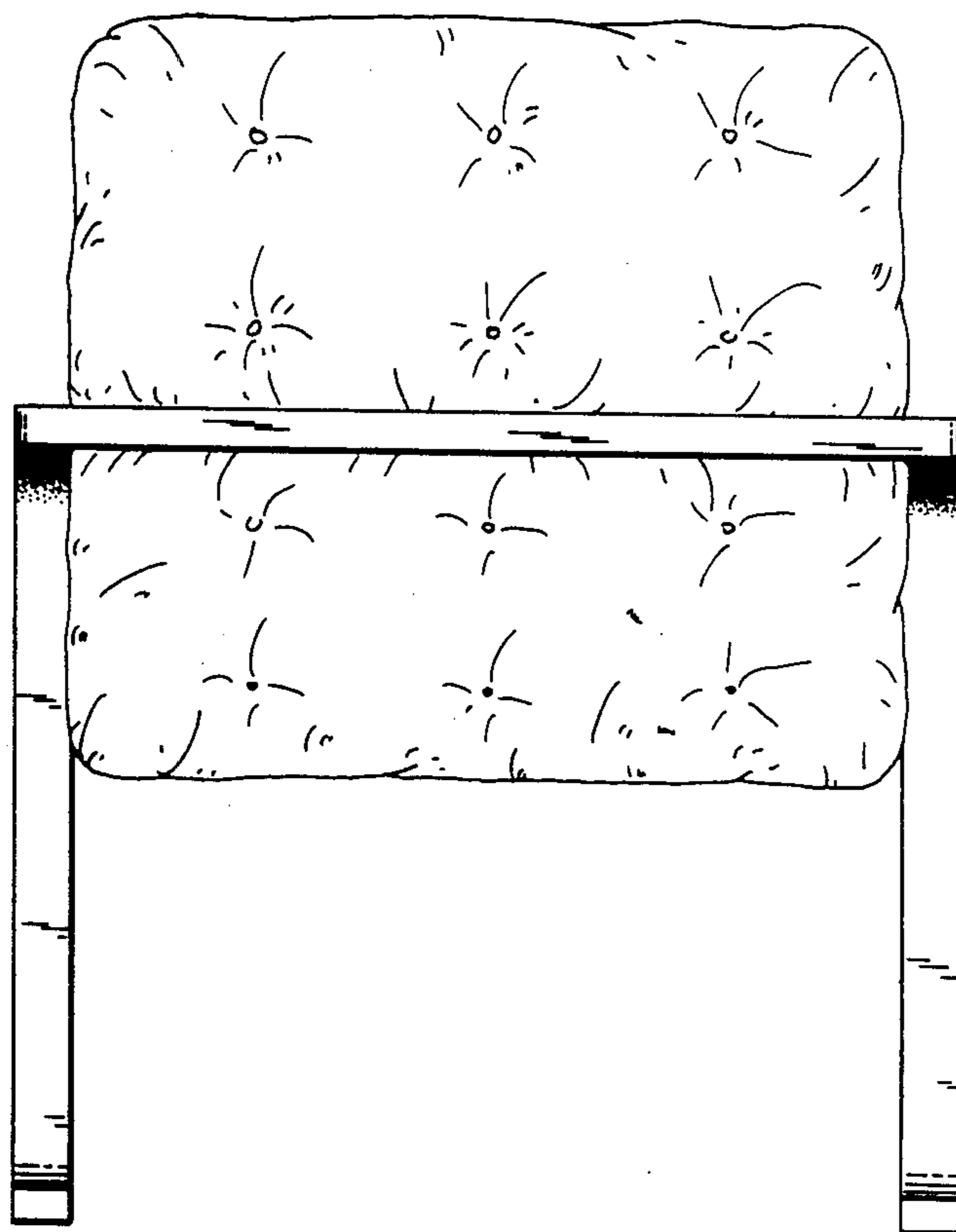


FIG. 3

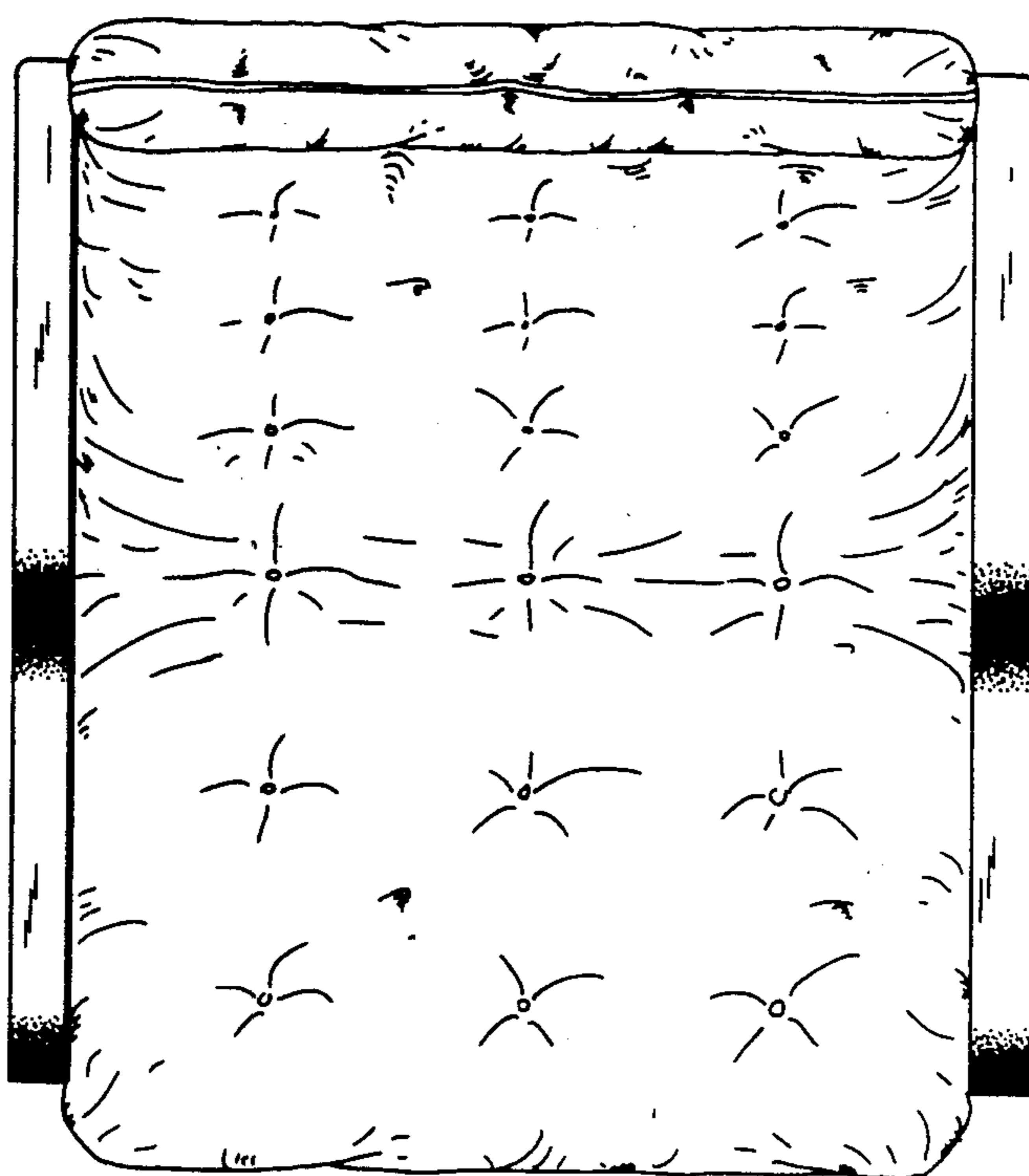


FIG. 4

FIG. 5

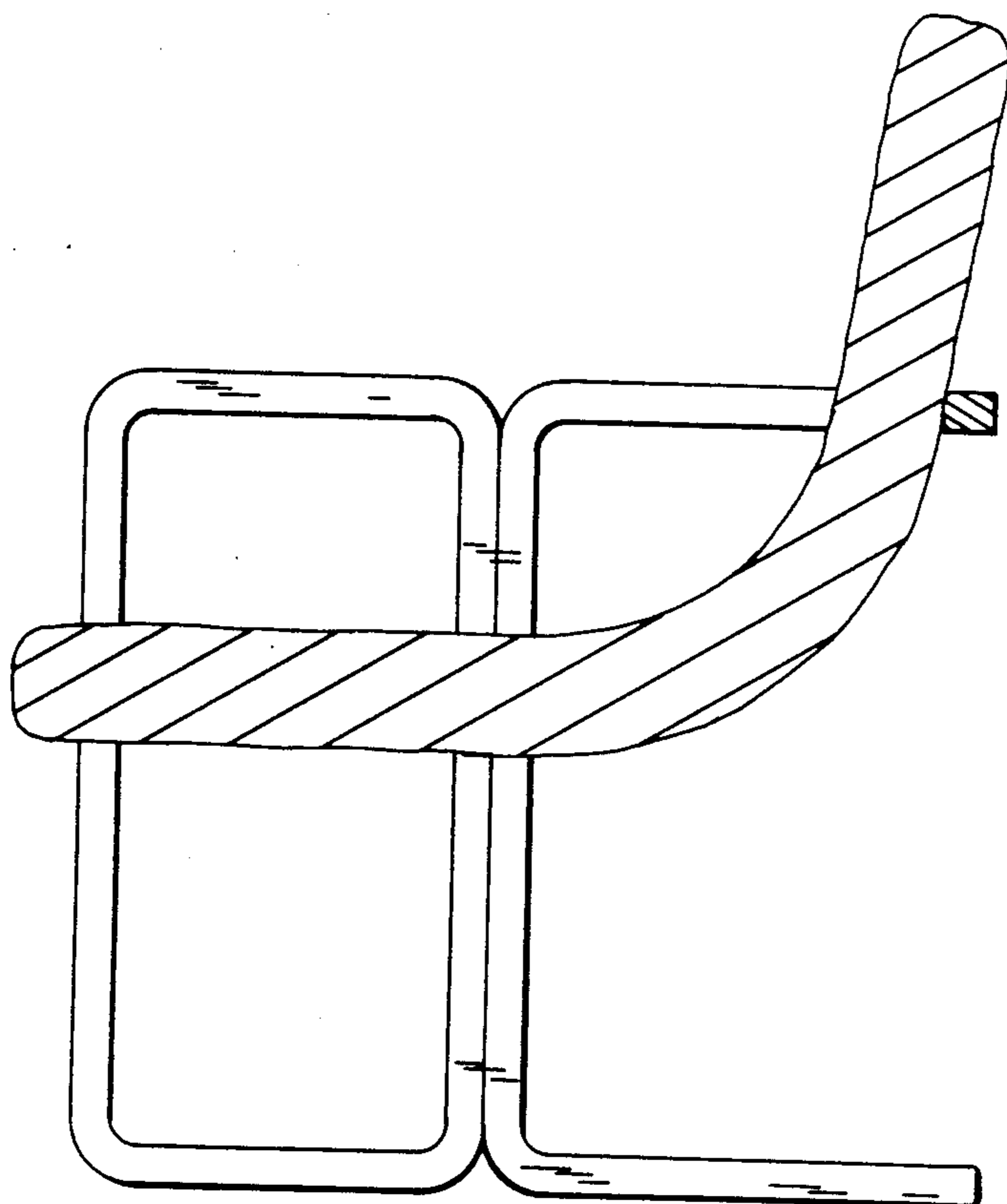
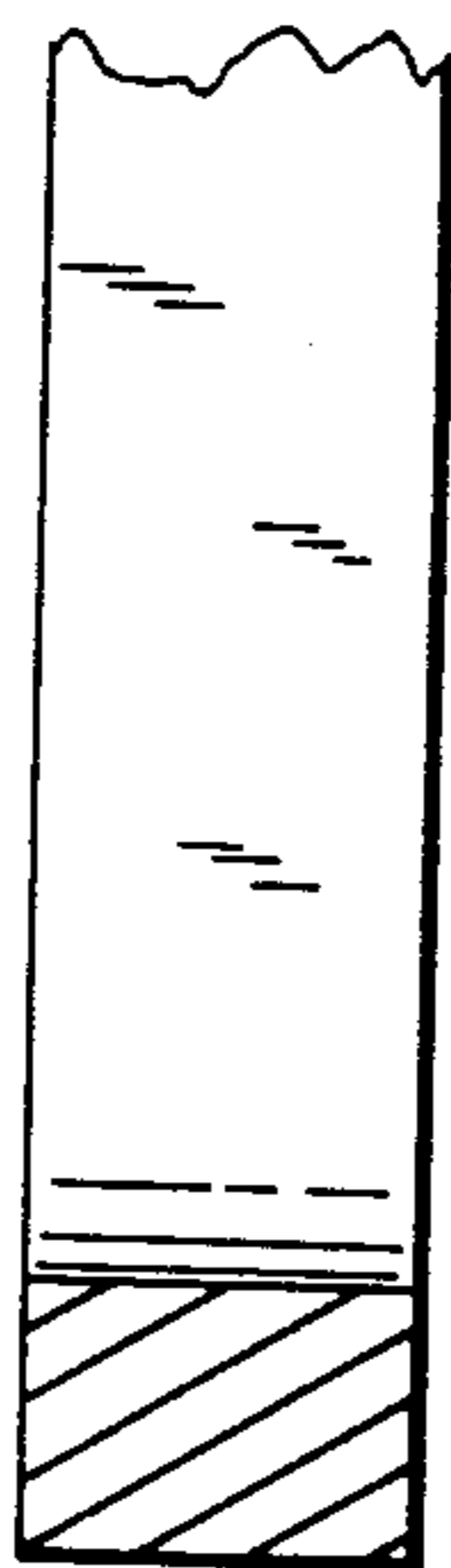


FIG. 6

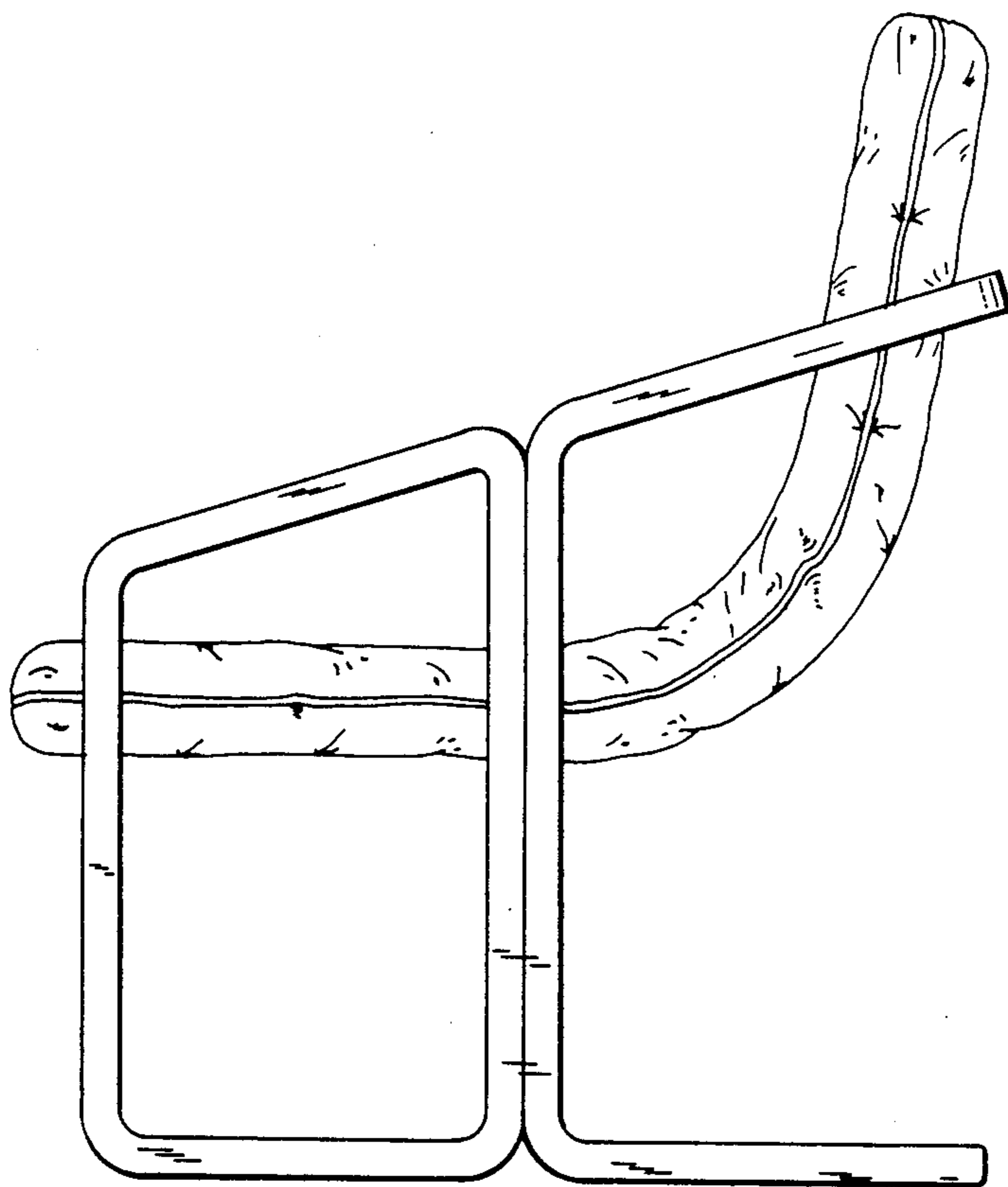


FIG. 7

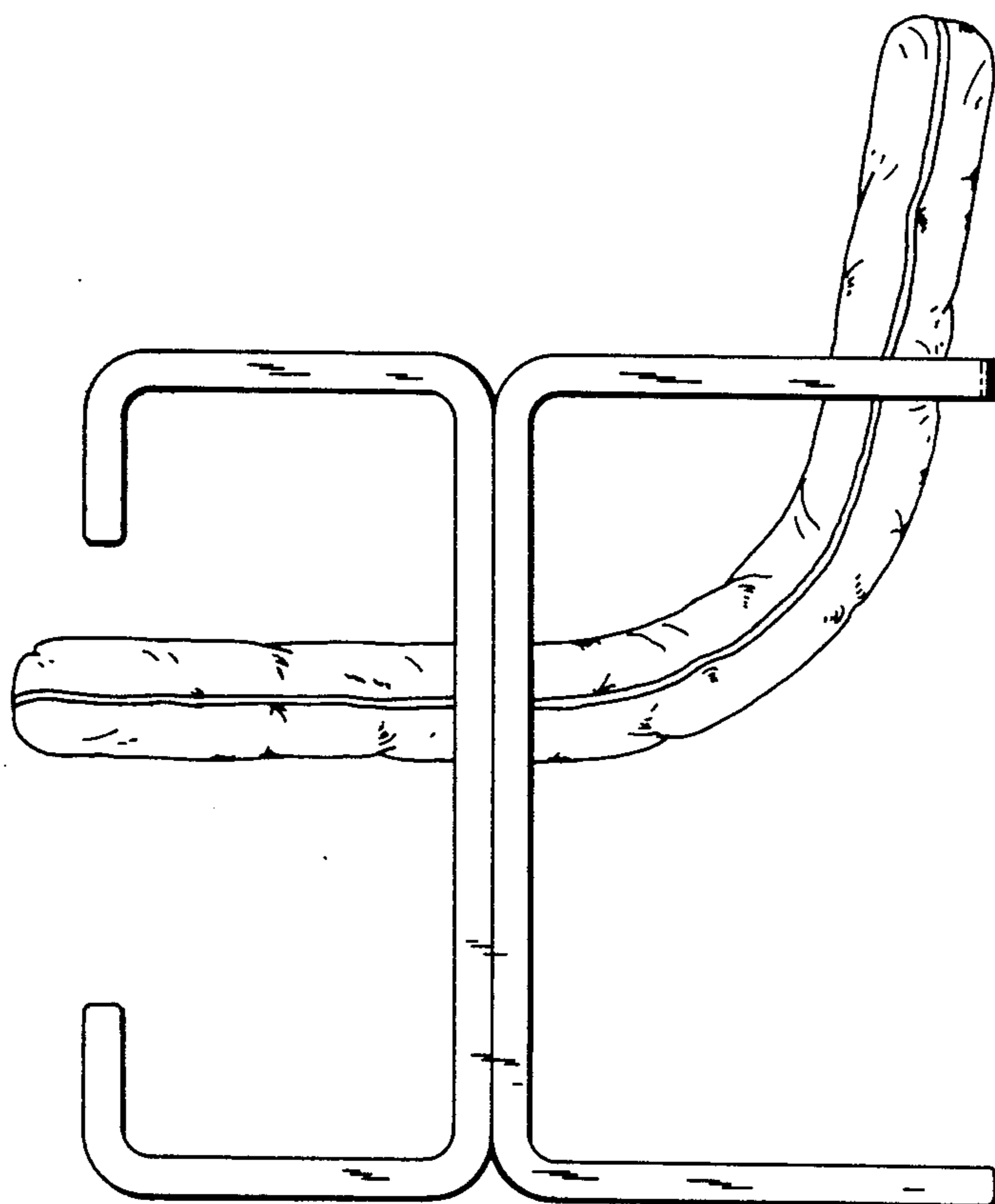


FIG. 8

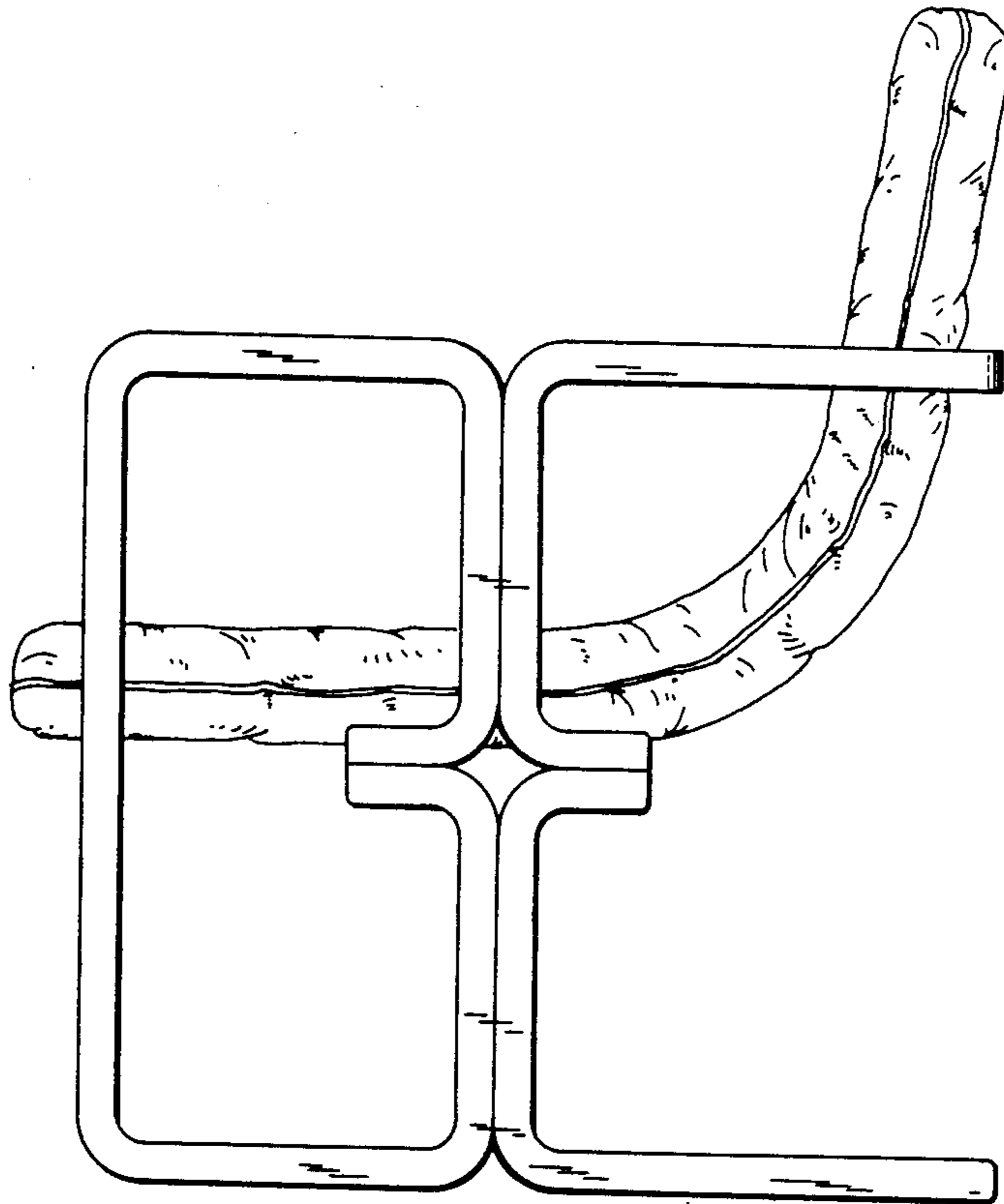


FIG. 9

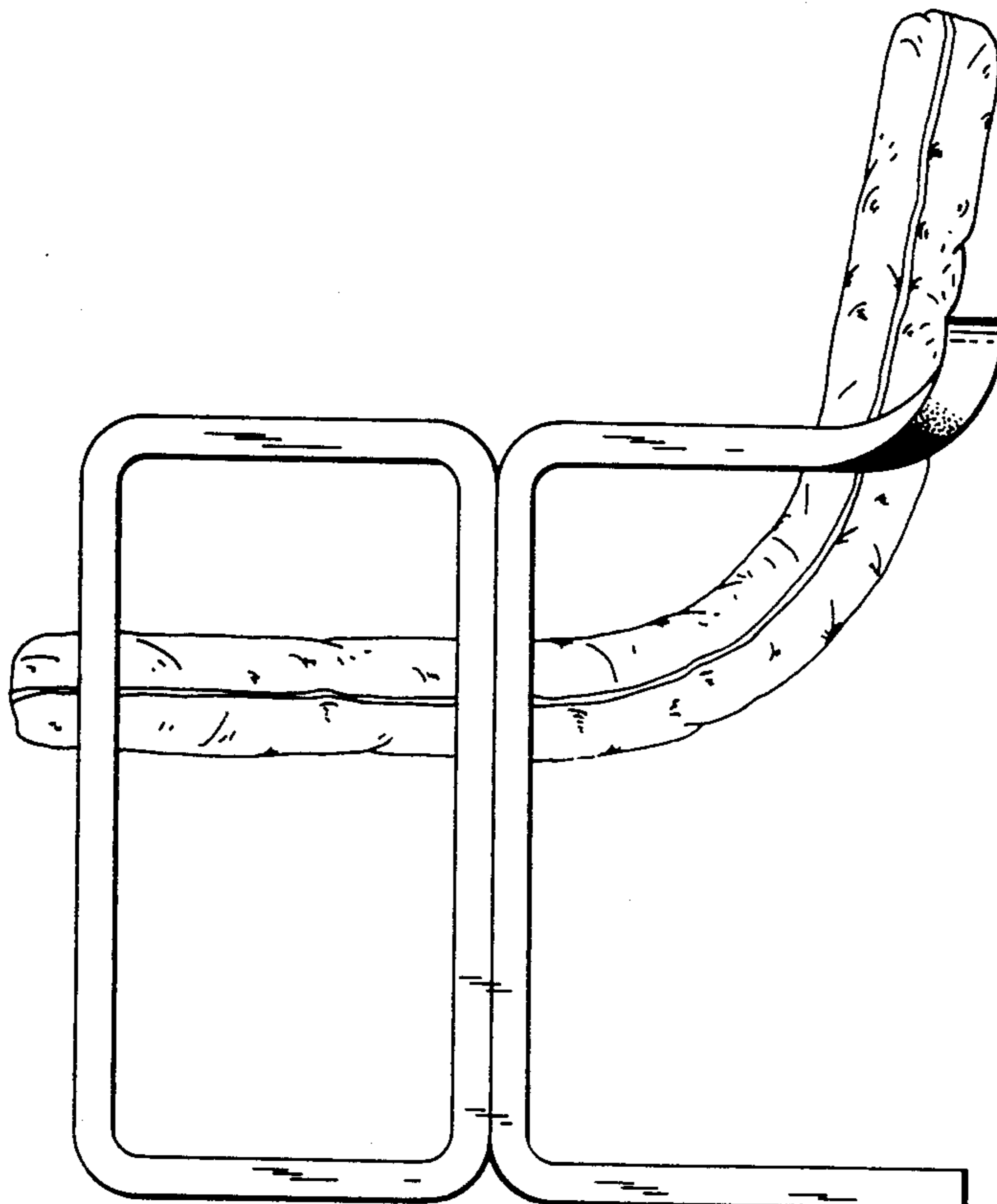


FIG. 10

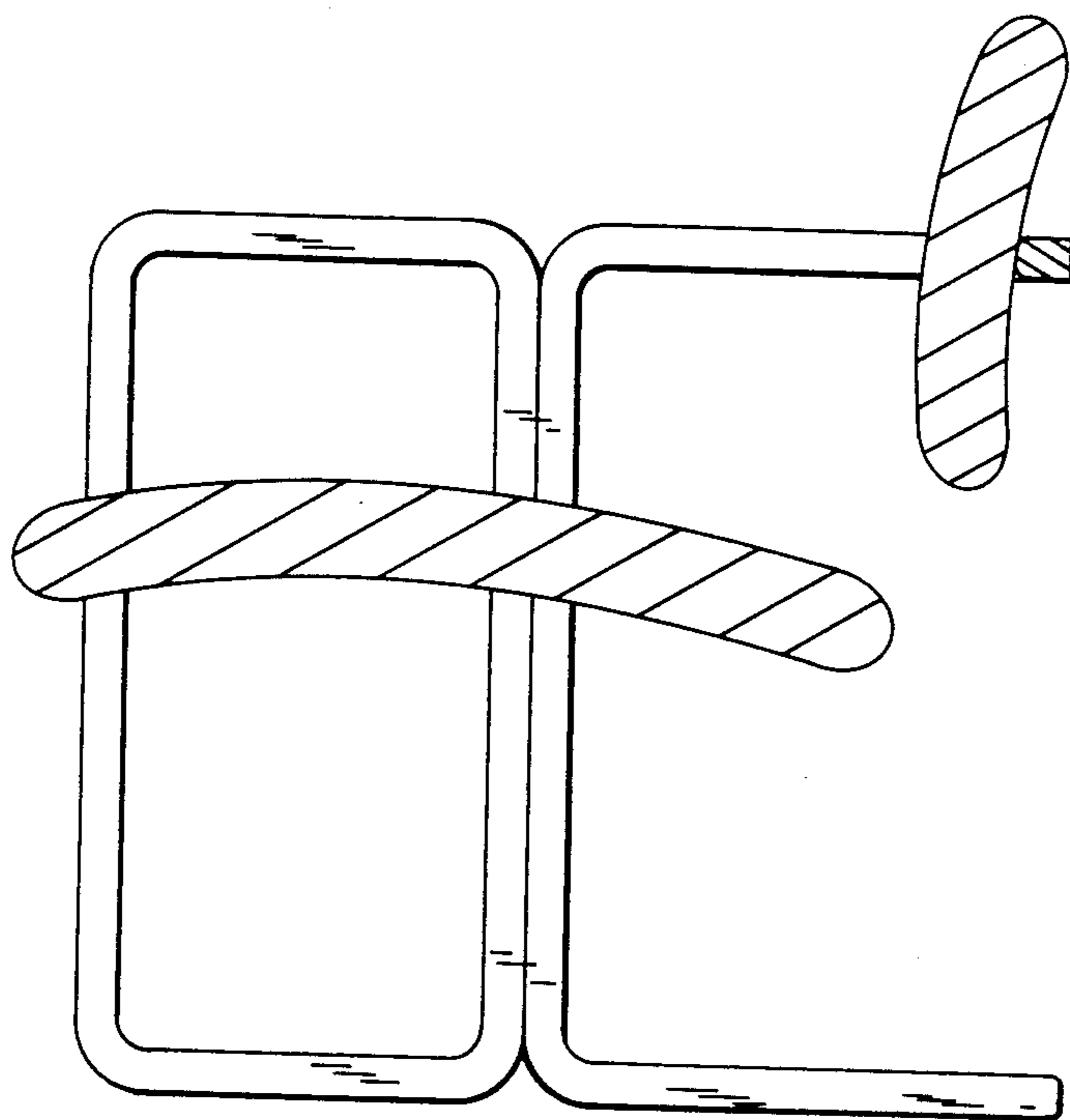


FIG. 11 -

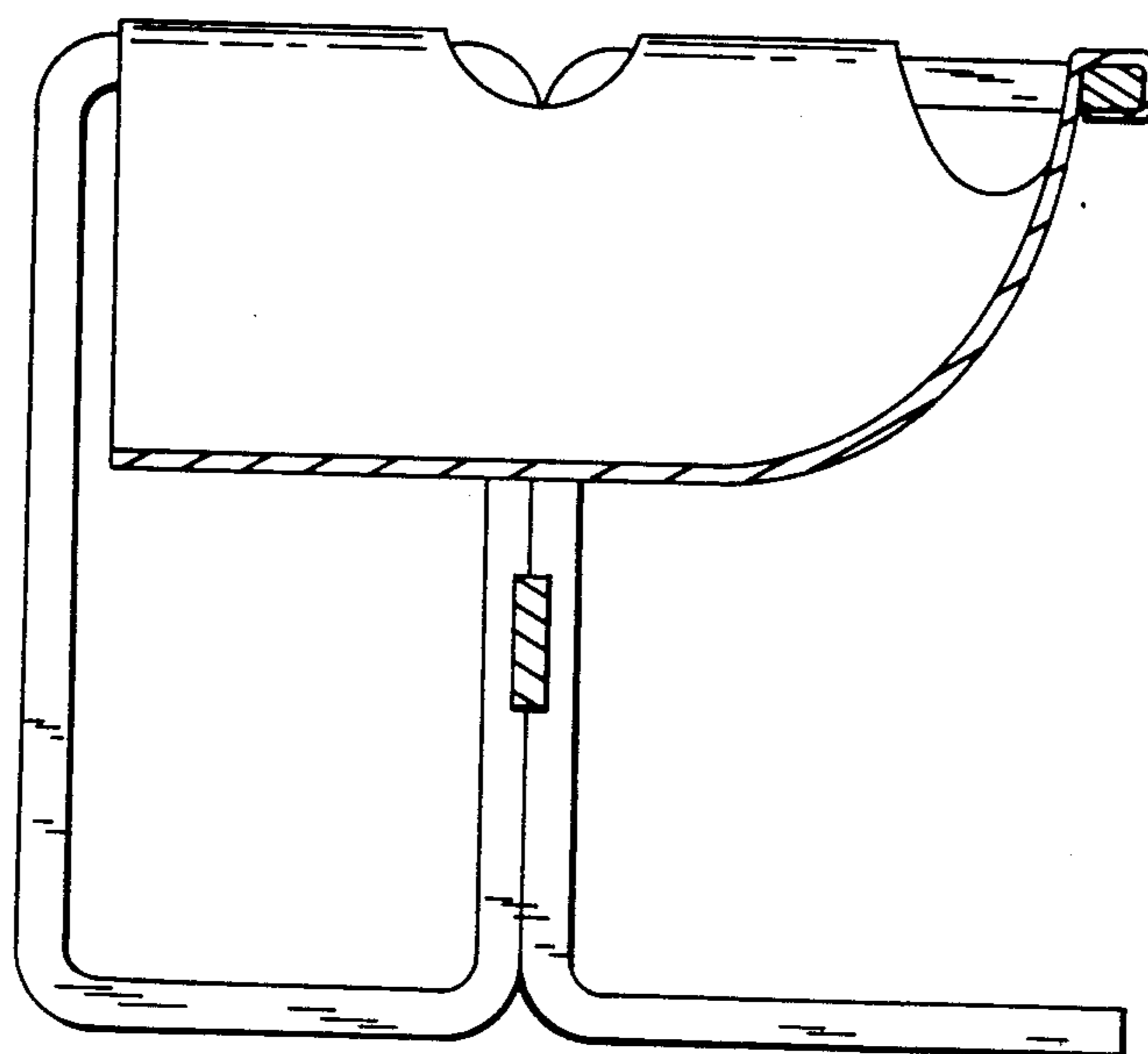


FIG. 12