

[54] CHAIR

[76] Inventor: Steven Douglas Gageby, 12 Hay Camp Rd., North Oaks, Minn. 55110

[\*\*] Term: 14 Years

[21] Appl. No.: 677,618

[22] Filed: Apr. 16, 1976

[51] Int. Cl. .... D6-01

[52] U.S. Cl. .... D6/56; D6/67

[58] Field of Search ..... D6/20, 26, 30, 31, 35, D6/36, 37, 39

[56] References Cited

U.S. PATENT DOCUMENTS

D. 131,080	1/1942	Anderson	.....	D6/56
2,135,586	11/1938	Lorenz et al.	.....	D6/56 X

OTHER PUBLICATIONS

"Selig Import", cat. rec'd. 3-23-1973, P.D17B, Ottoman No. 640-10.

Primary Examiner—Bruce W. Dunkins

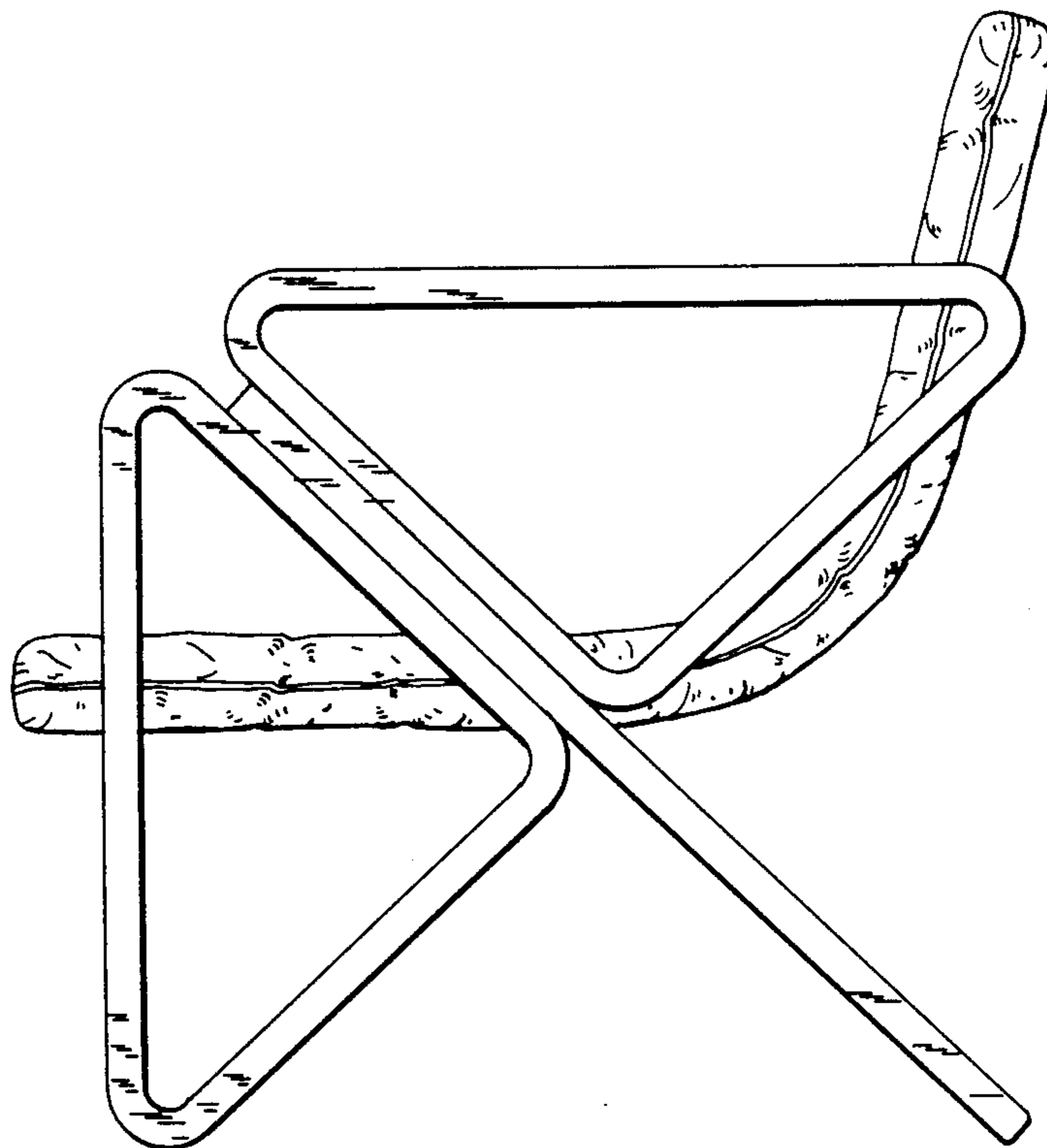
Attorney, Agent, or Firm—Steven Douglas Gageby

[57] CLAIM

The ornamental design for a chair, as shown and described.

DESCRIPTION

FIG. 1 is a side elevation view of a chair showing my new design, the undisclosed side being substantially identical with the side shown;  
 FIG. 2 is a front elevation view thereof;  
 FIG. 3 is a rear elevation view thereof;  
 FIG. 4 is a top view thereof;  
 FIG. 5 is a second embodiment of FIG. 1;  
 FIG. 6 is a third embodiment of FIG. 1; and  
 FIG. 7 is a cross-section taken on line 7-7 of FIG. 2.



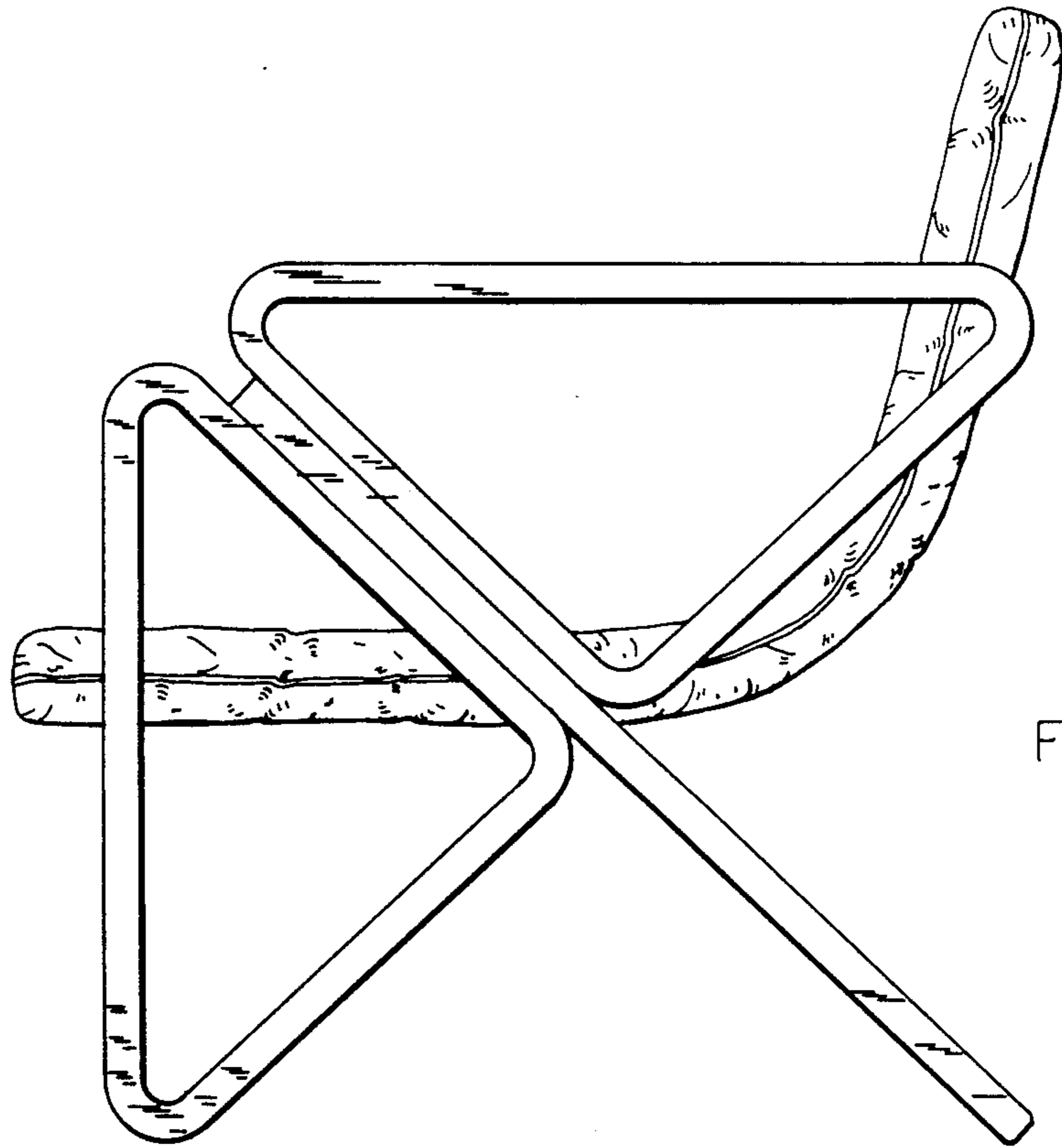


FIG. 1

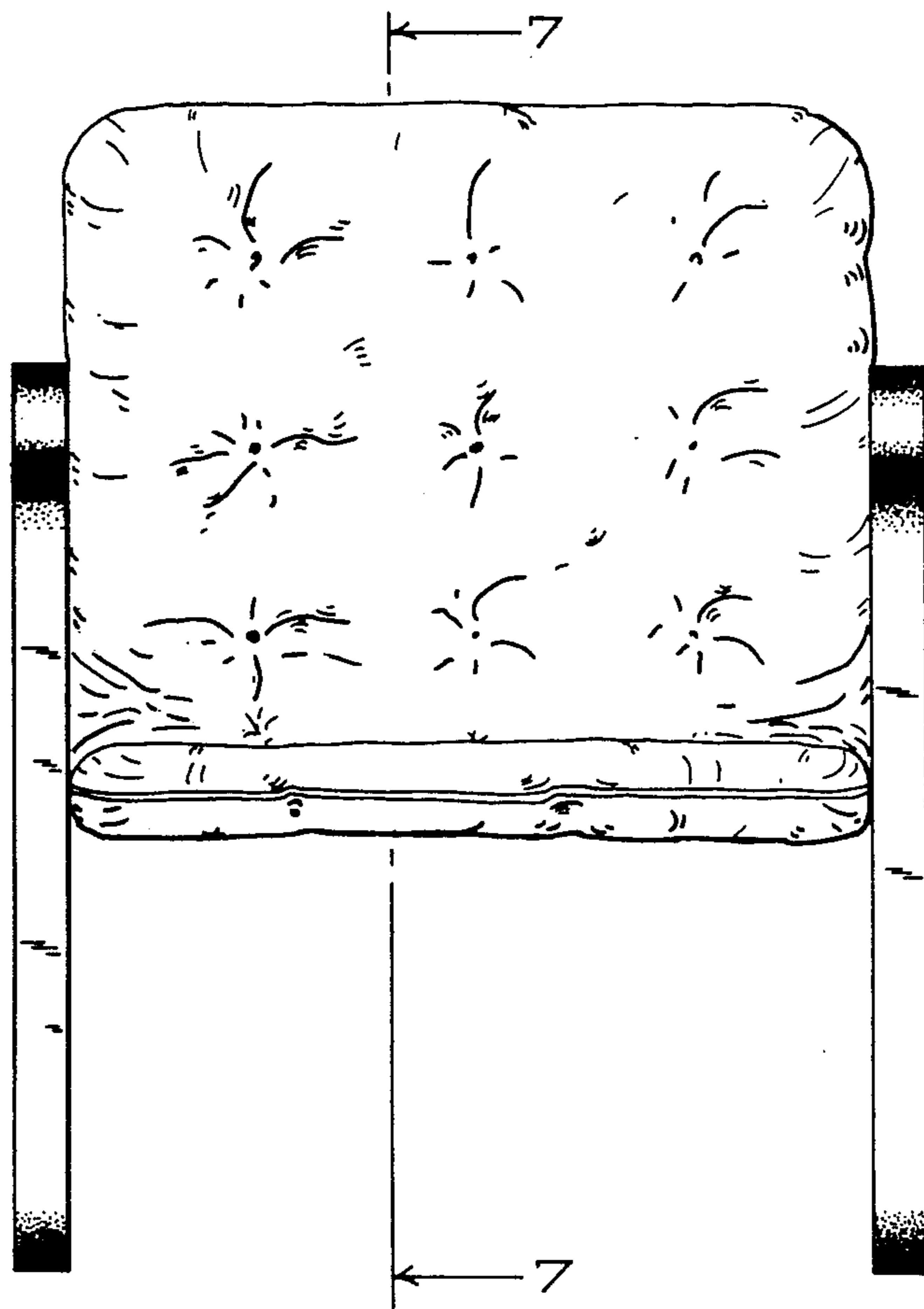


FIG. 2

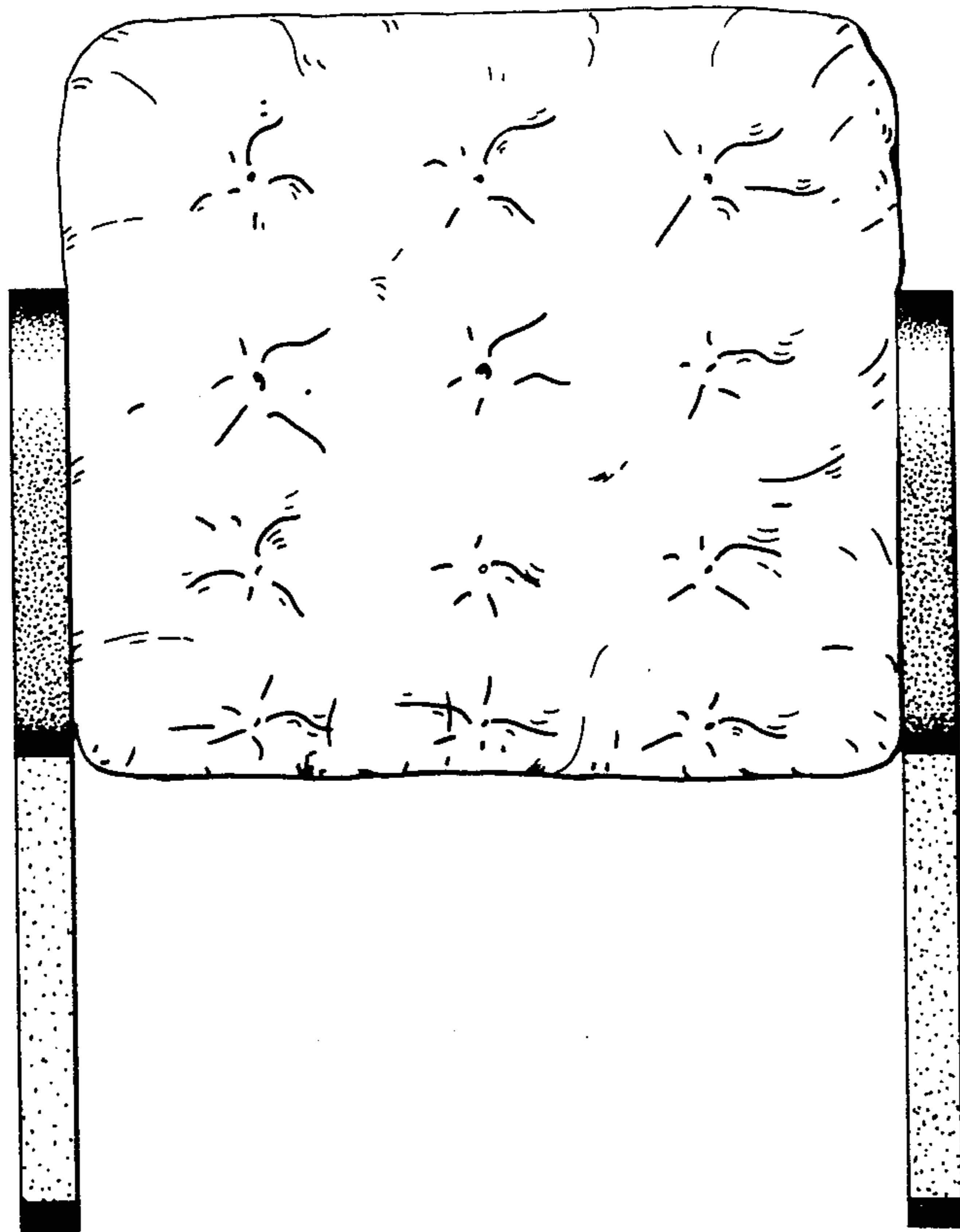


FIG. 3

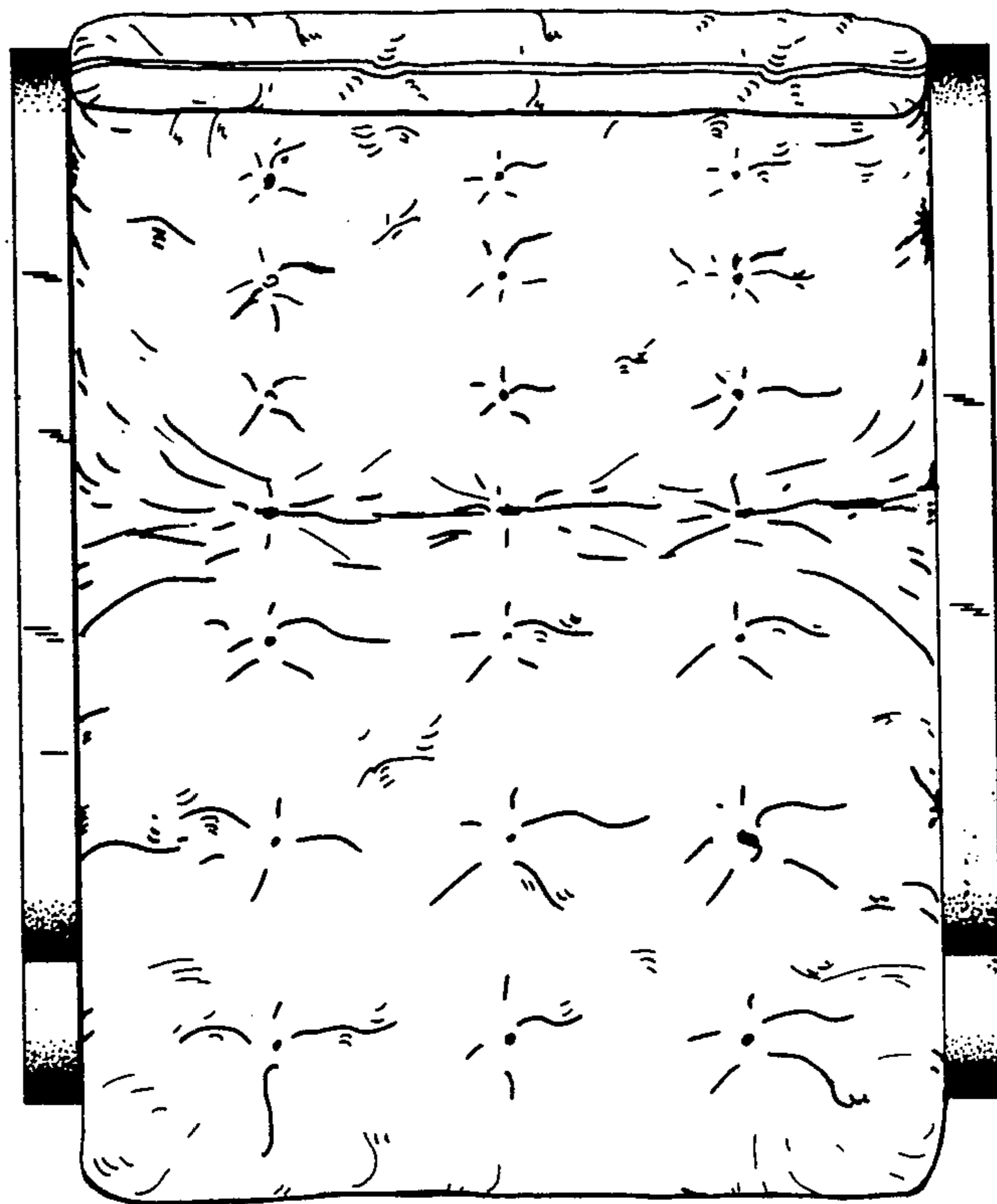


FIG. 4

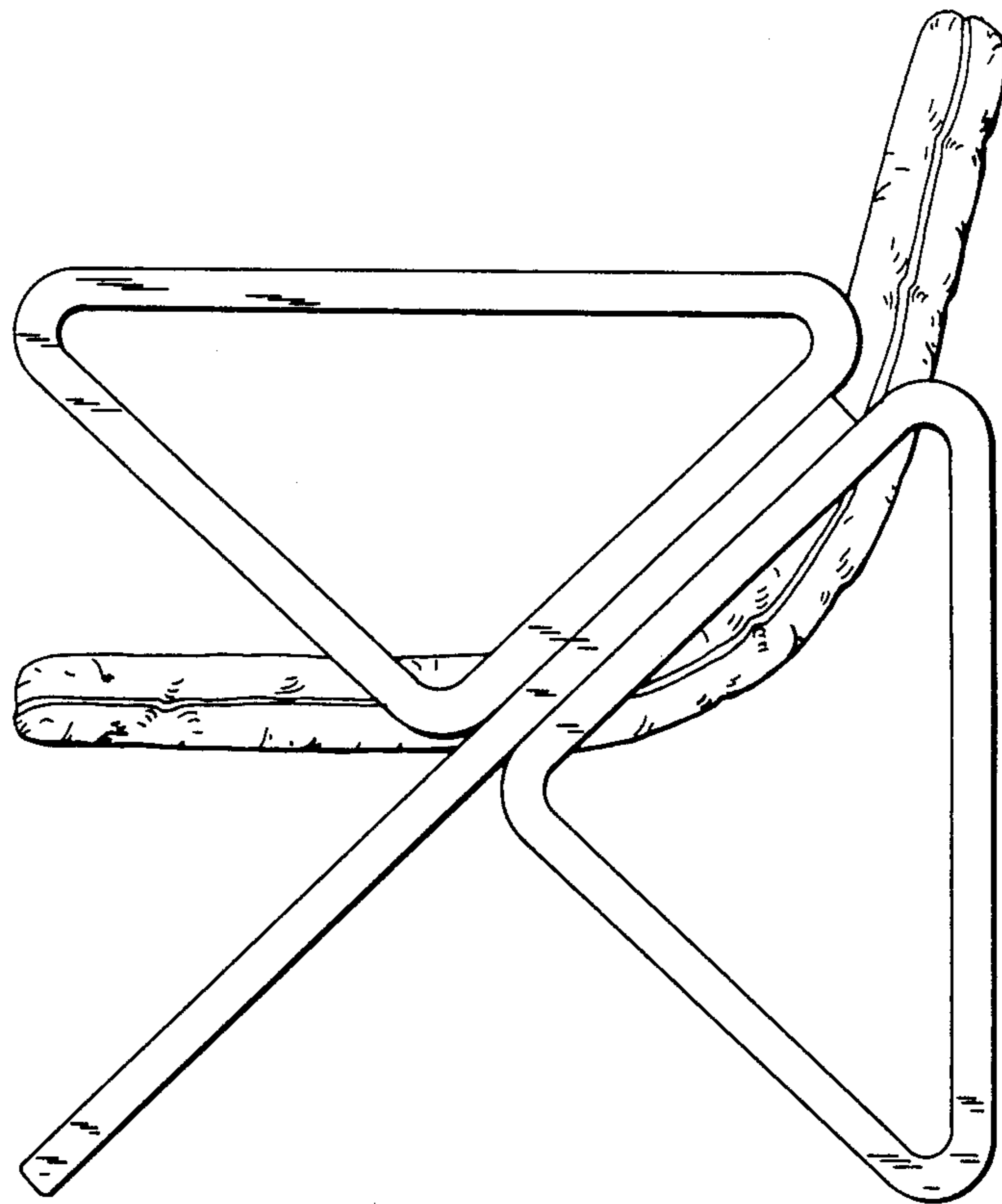


FIG. 5

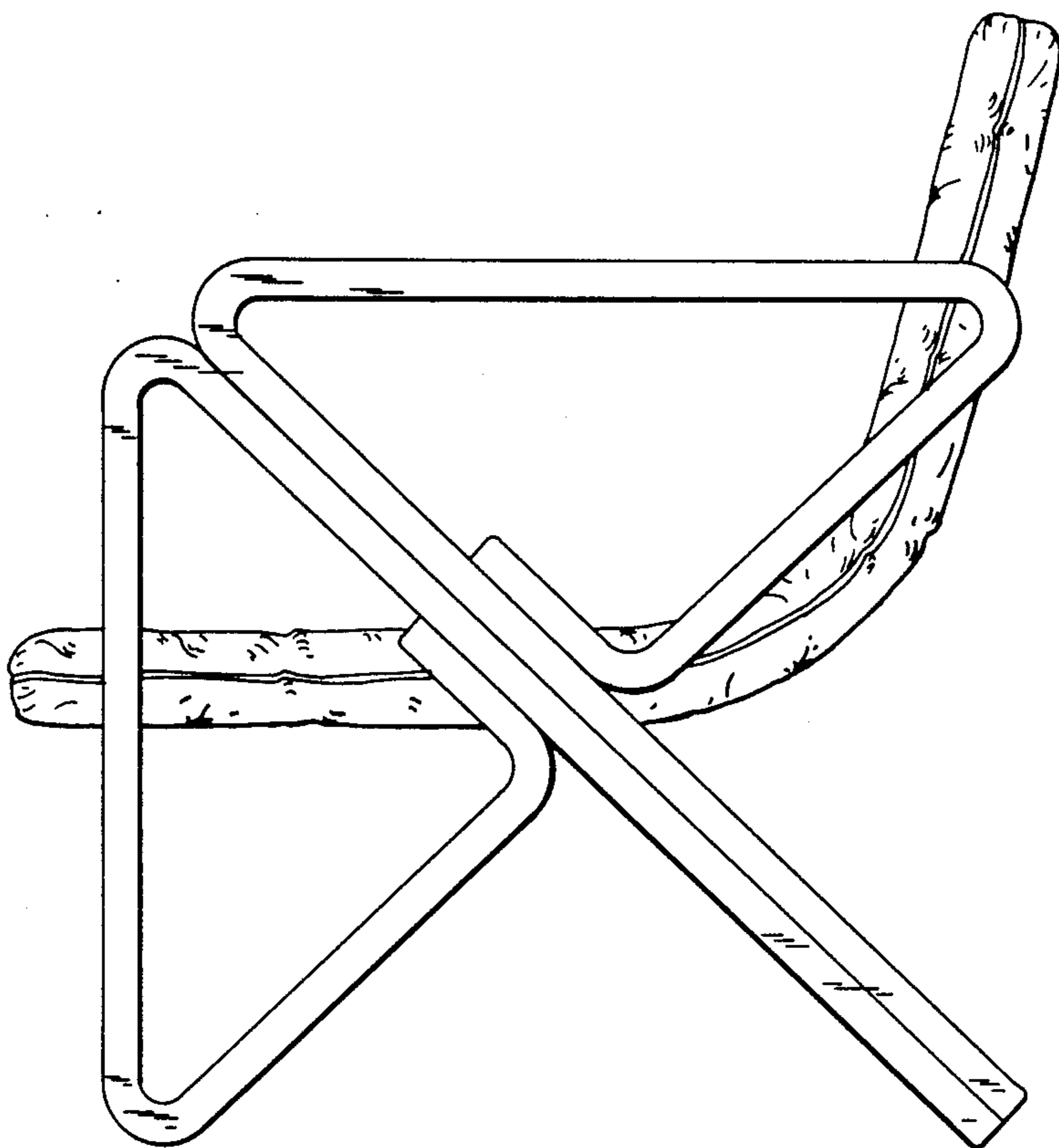


FIG. 6

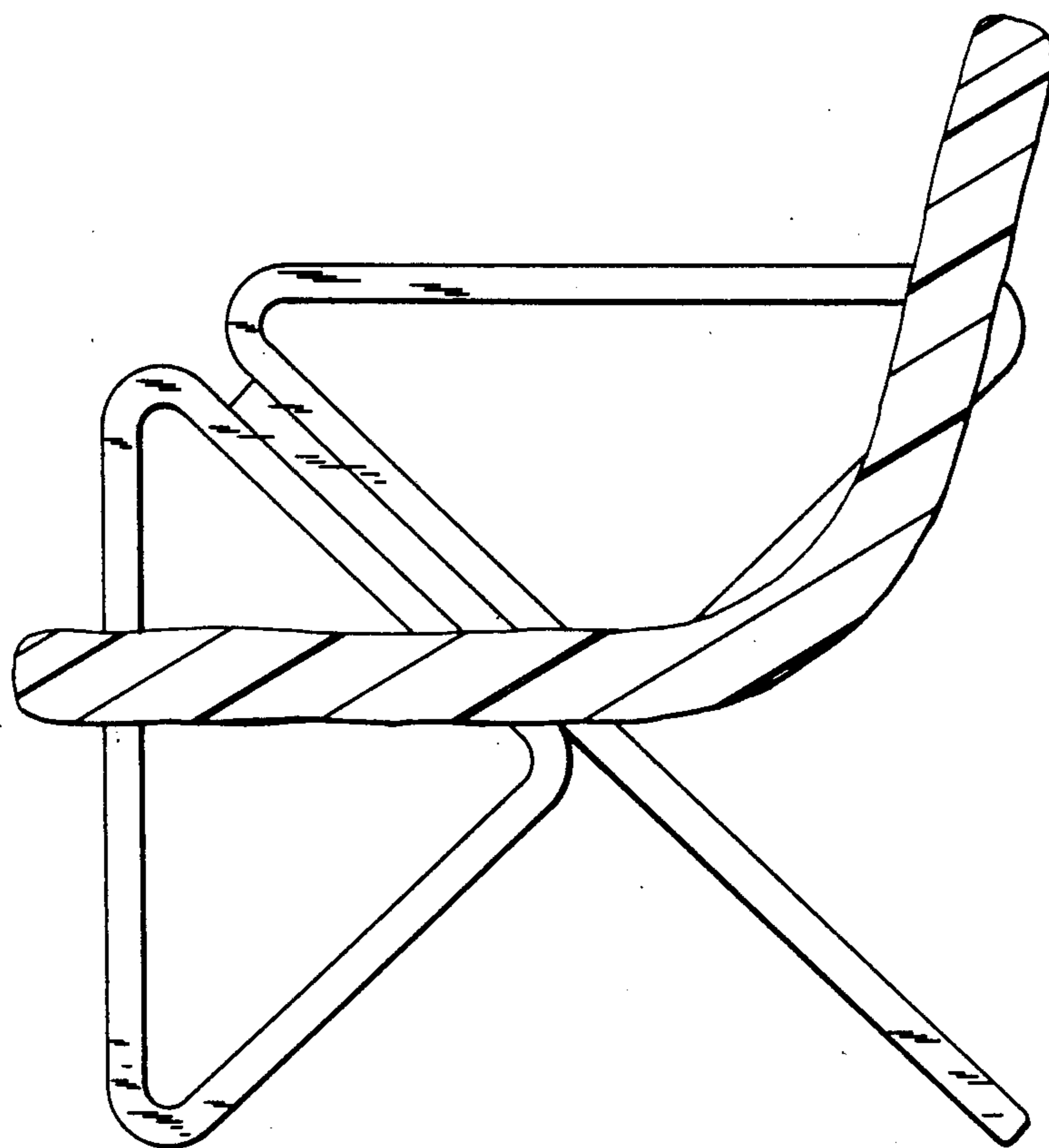


FIG. 7